

NTC 热敏电阻器 NTC Thermistors

特性 Feature

- 电阻范围 Wide zero-power resistance range from 0.5Ω to 20Ω
- 工作温度 Operating Temperature: -40℃~170℃
- 存储温度 Storage Temperature: -10℃~40℃

应用 Applications

适用于转换电源、开关电源、UPS 电源、各类电加热器、电子镇流器、各种电子装置，电源电路的保护以及各类显像管、显示器、白炽灯和其他照明灯具的灯丝保护等。

Power NTC thermistor are widely applied in switch power, conversion power supply, UPS power and electronic rectifier, heater, etc, it has a protected function for RT, display, lighting device and circuit of different electronic equipment.

使用标准 Applicable Standard

| 通过认证 APPROVAL | 认证组织 ORGANIZATION | 标准. SAFTY STANDARDS | 证书 CERTIFICATE NO. |
|---|----------------------|--------------------------------------|-----------------------|
|  | UL CUL | UL1434 | E361907 |
|  | TUV | EC 60539-1: 2016 EN 60539-1: 2016 | B 101551 0001 |
|  | CQC | GB/T6663.1-2007 | CQC17001166398 |

产品型号 Part Number

DRM 509 D 11 M L 8 3 7 G □

产品型号 Type:
功率型 NTC 热敏电阻器
Power NTC thermistor

额定零功率电阻值:
Rated zero-power resistance R25 (Ω)

最后一位数为倍乘数: 10^n
9: $10^{-1} = 0.1$ 0: $10^0 = 1$
1: $10^1 = 10$

示例: 509=50x0.1=5
150=15x1=15
101=10x10=100

产品类别
Product category:

D: 圆片通用型
D: general disc type

产品尺寸(直径):

| 代号 Code | 瓷片直径 Diameter of disc |
|------------|--------------------------|
| 05 | 5.0±0.5 |
| 07 | 7.0±0.5 |
| 09 | 9.0±0.5 |
| 11 | 11.0±0.5 |
| 13 | 13.0±0.5 |
| 15 | 15.0±0.5 |
| 20 | 20.0±0.5 |

内部代码
internal manage code

封装材料 coating material

G: 绿色硅树脂 green silicone resin;
P: phenolic (black)

引线间距 lead space:

5=5.0mm 7=7.5mm 0=10mm

引线长度/包装方法

Lead length/packaging:

3=3.5±0.5 C=3.2±0.5 D=3.0±0.5
F=F 式编带/扇折

引线直径:

CP 线:

6=0.55±0.05mm

8=0.75±0.05mm

引线形状:

L、J、K、P 见引线形状图

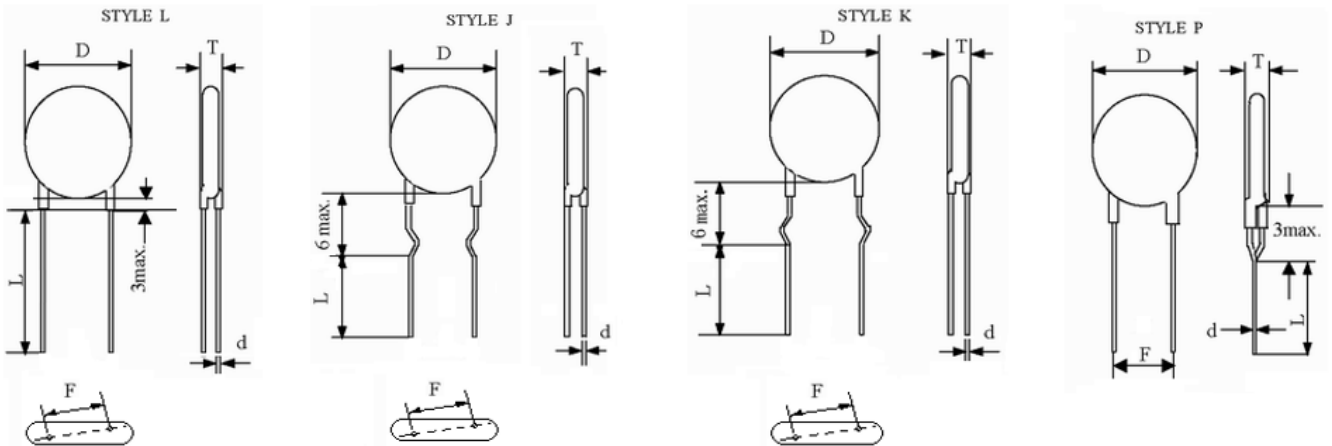
See the lead style

额定零功率电阻值 R25 的偏差

Tolerance of rated zero-power resistance R25(Ω):

M=±20% L=±15%

脚型 Lead style



规格 Specification

| SHM 产品代码 SHM Part no. | 额定零功率电阻@25°C Rated zero-power resistance R25°C (Ω) | 最大稳态电流 @25°C Max. Steady State Current (A) | 最大稳态电流下的残余电阻 @25°C Residual resistance (Ω) | Material Constant: B25/85(K) | 热时间常数 Thermal Time Constant (s) | 耗散系数 Thermal Dissipation Coefficient (mW/°C) | 产品尺寸 dimensions (mm) | | | | |
|--------------------------|---|---|---|------------------------------|------------------------------------|---|----------------------|--------------|------------|-------------|-------------|
| | | | | | | | 直径 Dmax (mm) | 厚度 Tmax (mm) | 引线间距 F(mm) | 引线直径 d (mm) | 引线长度 L (mm) |
| DRM100D07MP835GA0 | 10 | 1 | 0.7885 | 2800 | <30 | >9 | 8.5 | 5 | 5.0 | 0.8±0.05 | 0.8 |
| DRM509D07MJ645GA0 | 5 | 2 | 0.2864 | 2700 | | | | | 5.0 | 0.55±0.05 | 0.55 |
| DRM509D07MJCF5GA0 | 5 | 2 | 0.2864 | 2700 | | | | | 5.0 | 0.6±0.05 | F 编带 |
| DRM509D07ML685GA0 | 5 | 2 | 0.2864 | 2700 | | | | | 5.0 | 0.55±0.05 | 8.0±0.5 |
| DRM100D07ML6F5GS0 | 10 | 1 | 0.7885 | 2800 | | | | | 5.0 | 0.55±0.05 | F 编带 |
| DRM100D09MJ837GA0 | 10 | 2 | 0.398 | 2800 | <35 | >11 | 10.5 | 6 | 7.5 | 0.8±0.05 | 0.8 |
| DRM100D09MK847GA0 | 10 | 2 | 0.398 | 2800 | | | | | 7.5 | 0.8±0.05 | 0.8 |
| DRM200D09MK837GA0 | 20 | 1 | 5.469 | 3200 | | | | | 7.5 | 0.8±0.05 | 0.8 |
| DRM200D09ML835GA0 | 20 | 1 | 5.469 | 3200 | | | | | 5.0 | 0.8±0.05 | 0.8 |
| DRM300D09MP835GA0 | 30 | 0.2 | | | | | | | 5.0 | 0.8±0.05 | 0.8 |
| DRM309D09MK6V7GA0 | 3 | 4 | 0.1456 | 2700 | | | | | 7.5 | 0.55±0.05 | V 编带 |
| DRM309D09ML8C7PA0 | 3 | 4 | 0.1456 | 2700 | | | | | 7.5 | 0.8±0.05 | 3.2±0.5 |
| DRM509D09MJ6F5GA0 | 5 | 3 | 0.2641 | 2700 | | | | | 5.0 | 0.55±0.05 | F 编带 |
| DRM509D09MJ6F5PA0 | 5 | 3 | 0.2641 | 2700 | | | | | 5.0 | 0.55±0.05 | F 编带 |
| DRM509D09MJ837GA0 | 5 | 3 | 0.2641 | 2700 | | | | | 7.5 | 0.8±0.05 | 0.8 |
| DRM509D09MJ8C5GA0 | 5 | 3 | 0.2641 | 2700 | | | | | 5.0 | 0.8±0.05 | 3.2±0.5 |
| DRM509D09MK6F5PA0 | 5 | 3 | 0.2641 | 2700 | | | | | 5.0 | 0.55±0.05 | F 编带 |
| DRM509D09MP8C7GA0 | 5 | 3 | 0.2641 | 2700 | | | | | 7.5 | 0.8±0.05 | 3.2±0.5 |
| DRM809D09MJ7F5PA0 | 8 | 2 | 0.3731 | 2800 | | | | | 5.0 | 0.65±0.05 | F 编带 |
| DRM809D09MJ837GA0 | 8 | 2 | 0.3731 | 2800 | | | | | 5.0 | 0.8±0.05 | 0.8 |
| DRM309D09MK7F5PA0 | 3 | 4 | 0.1456 | 2700 | | | | | 5.0 | 0.65±0.05 | F 编带 |
| DRM220D09MK835GA0 | 22 | 0.4 | | | | | | | 5.0 | 0.8±0.05 | 0.8 |
| DRM509D09MK7F5PA0 | 5 | 3 | 0.2641 | 2700 | | | | | 5.0 | 0.65±0.05 | F 编带 |
| DRM200D09MK6F7GAA | 20 | 1 | 5.469 | 3200 | | | | | 7.5 | 0.55±0.05 | F 编带 |
| DRM100D11MJ837GA0 | 10 | 3 | 0.2676 | 2800 | | | | | <55 | >13 | 12.5 |
| DRM100D11MP8C5GA0 | 10 | 3 | 0.2676 | 2800 | 5.0 | 0.8±0.05 | 3.2±0.5 | | | | |
| DRM100D11MP8C7GA0 | 10 | 3 | 0.2676 | 2800 | 7.5 | 0.8±0.05 | 3.2±0.5 | | | | |
| DRM159D11MJ8N5GA0 | 1.5 | 5 | 0.126 | 2600 | 5.0 | 0.8±0.05 | 4.0±0.5 | | | | |
| DRM200D11MJ837GA0 | 20 | 2 | 0.59 | 3000 | 7.5 | 0.8±0.05 | V 编带 | | | | |
| DRM259D11MJ887GA0 | 2.5 | 5 | 0.126 | 2700 | 7.5 | 0.8±0.05 | 8.0±0.5 | | | | |
| DRM259D11MK8C5PA0 | 2.5 | 5 | 0.126 | 2700 | 5.0 | 0.8±0.05 | 3.2±0.5 | | | | |
| DRM259D11MK8H5GA0 | 2.5 | 5 | 0.126 | 2700 | 5.0 | 0.8±0.05 | 3.8±0.5 | | | | |

| | | | | | | | | | | | |
|-------------------|-----|---|--------|------|-----|-----|------|-----|-----|-----------|---------|
| DRM259D11MK8V7GA0 | 2.5 | 5 | 0.126 | 2700 | | | | | 7.5 | 0.8±0.05 | V 编带 |
| DRM259D11MKD35GA0 | 2.5 | 5 | 0.126 | 2700 | | | | | 5.0 | 0.8±0.05 | 0.8 |
| DRM259D11ML837GA0 | 2.5 | 5 | 0.126 | 2700 | | | | | 7.5 | 0.8±0.05 | 0.8 |
| DRM309D11MJ8N7GA0 | 3 | 5 | 0.1263 | 2700 | | | | | 7.5 | 0.8±0.05 | 4.0±0.5 |
| DRM509D11MJ837GA0 | 5 | 4 | 0.2052 | 2700 | | | | | 7.5 | 0.8±0.05 | 0.8 |
| DRM509D11MJ8C7GA0 | 5 | 4 | 0.2052 | 2700 | | | | | 7.5 | 0.8±0.05 | 3.2±0.5 |
| DRM509D11MJ8V7GA0 | 5 | 4 | 0.2052 | 2700 | | | | | 7.5 | 0.8±0.05 | V 编带 |
| DRM509D11MJDB7GK0 | 5 | 4 | 0.2052 | 2700 | | | | | 7.5 | 0.8±0.05 | 25min. |
| DRM509D11MK6V7GA0 | 5 | 4 | 0.2052 | 2700 | | | | | 7.5 | 0.55±0.05 | V 编带 |
| DRM509D11MK8F5GA0 | 5 | 4 | 0.2052 | 2700 | | | | | 5.0 | 0.8±0.05 | F 编带 |
| DRM509D11ML8C5GA0 | 5 | 4 | 0.2052 | 2700 | | | | | 5.0 | 0.8±0.05 | 3.2±0.5 |
| DRM509D11ML8C7GA0 | 5 | 4 | 0.2052 | 2700 | | | | | 7.5 | 0.8±0.05 | 3.2±0.5 |
| DRM509D11ML8F5GA0 | 5 | 4 | 0.2052 | 2700 | | | | | 5.0 | 0.8±0.05 | F 编带 |
| DRM509D11MP837PNO | 5 | 4 | 0.2052 | 2700 | | | | | 7.5 | 0.8±0.05 | 0.8 |
| DRM509D11ML8V7GA0 | 5 | 4 | 0.2052 | 2700 | | | | | 7.5 | 0.8±0.05 | V 编带 |
| DRM100D11MP8C5PA0 | 10 | 3 | 0.2676 | 2800 | | | | | 5.0 | 0.8±0.05 | 3.2±0.5 |
| DRM259D11MP837GA0 | 2.5 | 5 | 0.126 | 2700 | | | | | 7.5 | 0.8±0.05 | 0.8 |
| DRM100D11MJ8V7GA0 | 10 | 3 | 0.2676 | 2800 | | | | | 7.5 | 0.8±0.05 | V 编带 |
| DRM259D11MJ8V7GA0 | 2.5 | 5 | 0.126 | 2700 | | | | | 7.5 | 0.8±0.05 | V 编带 |
| DRM259D11MJ835GA0 | 2.5 | 5 | 0.126 | 2700 | | | | | 5.0 | 0.8±0.05 | 0.8 |
| DRM509D11MP837GA0 | 5 | 4 | 0.2052 | 2700 | | | | | 7.5 | 0.8±0.05 | 0.8 |
| DRM509D11MP8V7GA0 | 5 | 4 | 0.2052 | 2700 | | | | | 7.5 | 0.8±0.05 | V 编带 |
| DRM139D13MK837GA0 | 1.3 | 7 | 0.0889 | 2700 | | | | | 7.5 | 0.8±0.05 | 0.8 |
| DRM259D13MJ887GA0 | 2.5 | 6 | 0.1079 | 2700 | | | | | 7.5 | 0.8±0.05 | 8.0±0.5 |
| DRM259D13MK837GA0 | 2.5 | 6 | 0.1079 | 2700 | | | | | 7.5 | 0.8±0.05 | 0.8 |
| DRM309D13MK837GA0 | 3 | 6 | 0.145 | 2700 | | | | | 7.5 | 0.8±0.05 | 0.8 |
| DRM309D13ML837GA0 | 3 | 6 | 0.145 | 2700 | | | | | 7.5 | 0.8±0.05 | 0.8 |
| DRM509D13MJ857GA0 | 5 | 5 | 0.1469 | 2800 | | | | | 7.5 | 0.8±0.05 | 5.5±0.5 |
| DRM509D13MJ8Y7GA0 | 5 | 5 | 0.1469 | 2800 | <70 | >13 | 14.5 | 7.0 | 7.5 | 0.8±0.05 | Y 编带 |
| DRM509D13MJD37GA0 | 5 | 5 | 0.1469 | 2800 | | | | | 7.5 | 0.8±0.05 | 0.8 |
| DRM509D13MK837GA0 | 5 | 5 | 0.1469 | 2800 | | | | | 7.5 | 0.8±0.05 | 0.8 |
| DRM509D13ML837GA0 | 5 | 5 | 0.1469 | 2800 | | | | | 7.5 | 0.8±0.05 | 0.8 |
| DRM509D13ML8B7GA0 | 5 | 5 | 0.1469 | 2800 | | | | | 7.5 | 0.8±0.05 | 25min. |
| DRM259D13MK8B7GA0 | 2.5 | 6 | 0.1079 | 2700 | | | | | 7.5 | 0.8±0.05 | 25min. |
| DRM100D15MJD37GA0 | 10 | 5 | 0.2087 | 3000 | | | | | 7.5 | 0.8±0.05 | 0.8 |
| DRM100D15MK837GA0 | 10 | 5 | 0.2087 | 3000 | <90 | >16 | 17.5 | 7.0 | 7.5 | 0.8±0.05 | 0.8 |
| DRM139D15MJ837GA0 | 1.3 | 8 | 0.0825 | 2700 | | | | | 7.5 | 0.8±0.05 | 0.8 |

| | | | | | | | | | | | |
|-------------------|-----|---|--------|------|------|-----|------|-----|-----|----------|---------|
| DRM139D15MJ837GA0 | 1.3 | 8 | 0.0825 | 2700 | | | | | 7.5 | 0.8±0.05 | 0.8 |
| DRM150D15MJ837GA0 | 15 | 4 | 0.305 | 3200 | | | | | 7.5 | 0.8±0.05 | 0.8 |
| DRM150D15MK837GA0 | 15 | 4 | 0.305 | 3200 | | | | | 7.5 | 0.8±0.05 | 0.8 |
| DRM180D15ML837GA0 | 18 | 4 | 0.3375 | 3200 | | | | | 7.5 | 0.8±0.05 | 0.8 |
| DRM200D15MJ837GA0 | 20 | 4 | 0.3466 | 3200 | | | | | 7.5 | 0.8±0.05 | 0.8 |
| DRM200D15MKDY7GA0 | 20 | 4 | 0.3466 | 3200 | | | | | 7.5 | 0.8±0.05 | Y 编带 |
| DRM200D15MPD37GA0 | 20 | 4 | 0.3466 | 3200 | | | | | 7.5 | 0.8±0.05 | 0.8 |
| DRM259D15MK837GA0 | 2.5 | 7 | 0.1353 | 2700 | | | | | 7.5 | 0.8±0.05 | 0.8 |
| DRM259D15MLD37GA0 | 2.5 | 7 | 0.1353 | 2700 | | | | | 7.5 | 0.8±0.05 | 0.8 |
| DRM309D15MJ8N7GA0 | 3 | 7 | 0.1363 | 2700 | | | | | 7.5 | 0.8±0.05 | 4.0±0.5 |
| DRM509D15MK837GA0 | 5 | 6 | 0.1268 | 2800 | | | | | 7.5 | 0.8±0.05 | 0.8 |
| DRM509D15MKDU7GA0 | 5 | 6 | 0.1268 | 2800 | | | | | 7.5 | 0.8±0.05 | U 编带 |
| DRM509D15ML837PA0 | 5 | 6 | 0.1268 | 2800 | | | | | 7.5 | 0.8±0.05 | 0.8 |
| DRM509D15ML8B7GA0 | 5 | 6 | 0.1268 | 2800 | | | | | 7.5 | 0.8±0.05 | 25min. |
| DRM509D15MP837GA0 | 5 | 6 | 0.1268 | 2800 | | | | | 7.5 | 0.8±0.05 | 0.8 |
| DRM100D15ML837GA0 | 10 | 5 | 0.2087 | 3000 | | | | | 7.5 | 0.8±0.05 | 0.8 |
| DRM309D15MK830GA0 | 3 | 7 | 0.1363 | 2700 | | | | | 10 | 0.8±0.05 | 0.8 |
| DRM309D20MKE30GA0 | 3 | 8 | 0.1519 | 2800 | | | | | 10 | 1.0±0.05 | 1.0 |
| DRM509D20MK830GA0 | 5 | 7 | 0.1576 | 3000 | <135 | >23 | 23.5 | 7.5 | 10 | 0.8±0.05 | 0.8 |
| DRM509D20MKE30GA0 | 5 | 7 | 0.1576 | 3000 | | | | | 10 | 1.0±0.05 | 1.0 |
| DRM509D20ML837GA0 | 5 | 7 | 0.1576 | 3000 | | | | | 7.5 | 0.8±0.05 | 0.8 |

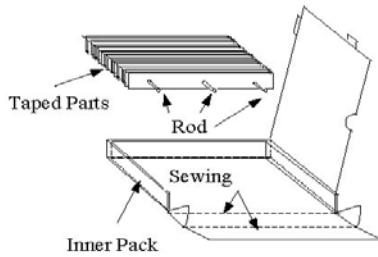
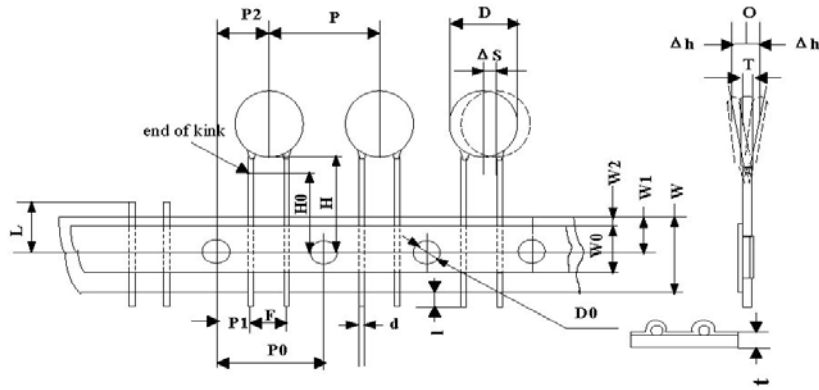
标志 Marking

例如 e.g

NTC
5D-9
SHM

编带样式 Taping style

TAPING STYLE F



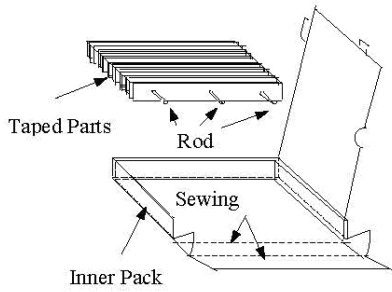
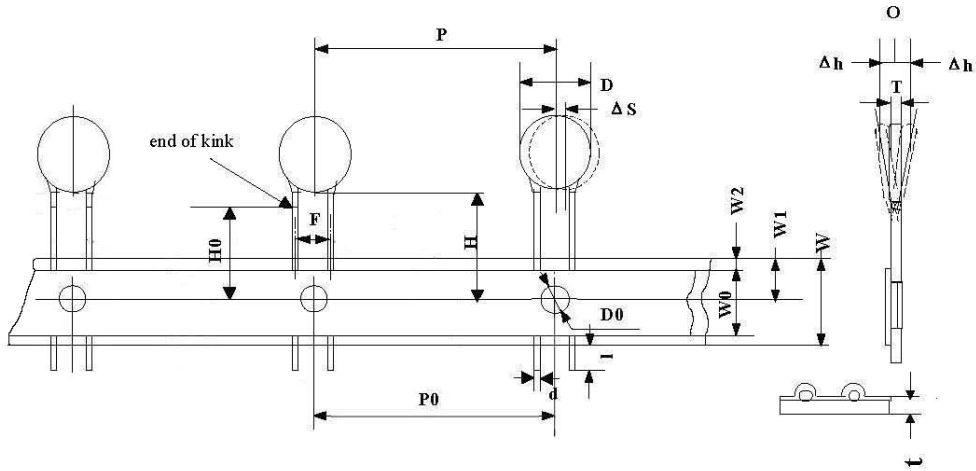
- 1.* For lead styles of inside kink and outside kink only
2. The lead sharp shall change with lead style.

| Symbol | Dimension(mm) |
|--------|---------------------------------|
| P0 | 12.7±0.2 |
| P | 12.7±1.0 |
| F | 5.0±0.5 |
| P1 | 3.85±0.4 |
| P2 | 6.35±0.4 |
| H0 | 16.0±0.5* |
| H | 20.0±0.5 |
| W | 18.0±0.5 |
| W0 | 8.0min. |
| W1 | 9.0±0.3 |
| W2 | 3.0max. |
| t | 0.7±0.2 |
| D | To comply with individual sheet |
| D0 | 4±0.2 |
| d | To comply with individual sheet |
| l | 2.0max. |
| L | 11max. |
| T | To comply with individual sheet |
| Δ S | 0.5max. |
| Δ h | 0.5max. |

Figure 2



TAPING STYLE V



| Symbol | Dimension(mm) |
|----------------------|---------------------------------|
| P0 | 15.0±0.2 |
| P | 15.0±1.0 |
| F | 10.0±0.5 |
| P1 | |
| P2 | |
| H0 | 16.0±0.5*¹ |
| H | 20.0±0.5*² |
| W | 18.0±0.5 |
| W0 | 8.0min. |
| W1 | 9.0±0.3 |
| W₂ | 3.0max. |
| t | 0.7±0.2 |
| D | To comply with individual sheet |
| D0 | 4±0.2 |
| d | To comply with individual sheet |
| l | 2.0max. |
| T | To comply with individual sheet |
| Δ S | 1.0 max. |
| Δ h | 1.0 max. |

1. *1 打弯脚型以H0为准。

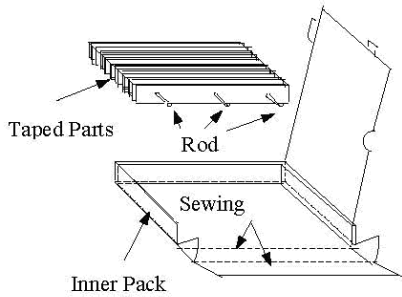
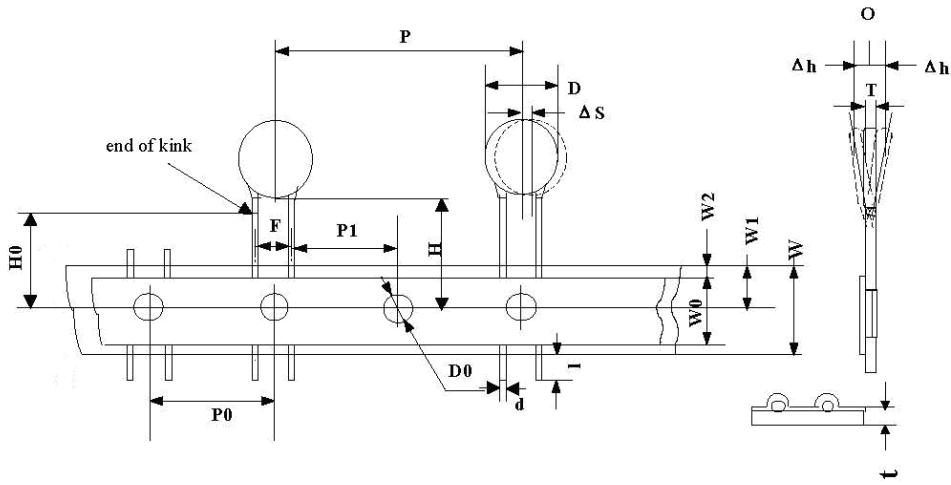
For kink lead only.

2. *2 直脚产品以H为准。

For straight lead only.

Figure 3

TAPING STYLE U



| Symbol | Dimension(mm) |
|--------|---------------------------------|
| P0 | 12.7±0.2 |
| P | 25.4±1.0 |
| F | 10.0±0.5 |
| P1 | 7.7±0.4 |
| P2 | |
| H0 | 16.0±0.5*1 |
| H | 20.0±0.5*2 |
| W | 18.0±0.5 |
| W0 | 8.0min. |
| W1 | 9.0±0.3 |
| W2 | 3.0max. |
| t | 0.7±0.2 |
| D | To comply with individual sheet |
| D0 | 4±0.2 |
| d | To comply with individual sheet |
| l | 2.0max. |
| T | To comply with individual sheet |
| ΔS | 1.0 max. |
| Δh | 1.0 max. |

1. *1 打弯脚型以H0为准。

For kink lead only.

2. *2 直脚产品以H为准。

For straight lead only.

Figure 6

X-ON Electronics

Largest Supplier of Electrical and Electronic Components

Click to view similar products for [NTC \(Negative Temperature Coefficient\) Thermistors](#) *category:*

Click to view products by [South HongMing](#) *manufacturer:*

Other Similar products are found below :

[118-253FAJ-P01](#) [121-202EAC-P01](#) [123-802EAJ-P01](#) [128-105NDP-Q02](#) [NTCALUG01A103F291L](#) [NTCLE410E3103F](#) [199-303KAF-A02](#)
[30054-4](#) [M09N038F](#) [500-52AA04-101](#) [526-31AA19-104](#) [526-31AN12-202](#) [103AT-5-1P-FT](#) [10K3A542I](#) [111-802EAJ-901](#) [112-103FAG-H02](#) [111-182CAG-H01](#) [112-103FAF-H01](#) [112-104KBF-F01](#) [526-31AA79-102](#) [44015RC](#) [194303KEVA01](#) [B57359V2224J260](#)
[B57621C5472K062](#) [135-105QAF-J02](#) [B57230V2103H260](#) [118-802EAJ-P01](#) [121-103FAC-Q02](#) [521-53AW02-104](#) [CL109R4120](#)
[GA100K6D234](#) [NXFT15XV103FEAB030](#) [USUR1000-502G-06](#) [GA10K3MR1I](#) [GA1K7CG3](#) [NXFT15WB473FEAB030](#) [GA10K3A542I](#)
[NTCLE213E3103JHT1](#) [PANR103338-490](#) [JSNA104F425FABXG](#) [JSNA103F345FABXG](#) [JSNA473F405FABXG](#) [JSNA103J395HABXG](#)
[JSNA103F344FBBXG](#) [JSNA103F338FABXG](#) [JSNA103F395FABXG](#) [SDNT1005X103F4050FTF](#) [SDNT1005X104F3950FTF](#)
[SDNT1005X473J4050HTF](#) [NTCF044EF474FTBX](#)