

# NTC 热敏电阻器 NTC Thermistors

## 特性 Feature

- 电阻范围 Wide zero-power resistance range from 0.5Ω to 20Ω
- 工作温度 Operating Temperature: -40℃~170℃
- 存储温度 Storage Temperature: -10℃~40℃

## 应用 Applications

适用于转换电源、开关电源、UPS 电源、各类电加热器、电子镇流器、各种电子装置，电源电路的保护以及各类显像管、显示器、白炽灯和其他照明灯具的灯丝保护等。

Power NTC thermistor are widely applied in switch power, conversion power supply, UPS power and electronic rectifier, heater, etc, it has a protected function for RT, display, lighting device and circuit of different electronic equipment.

## 使用标准 Applicable Standard

| 通过认证<br>APPROVAL  | 认证组织<br>ORGANIZATION | 标准.<br>SAFTY STANDARDS               | 证书<br>CERTIFICATE NO. |
|---|----------------------|--------------------------------------|-----------------------|
|  | UL<br>CUL            | UL1434                               | E361907               |
|  | TUV                  | EC 60539-1: 2016<br>EN 60539-1: 2016 | B 101551 0001         |
|  | CQC                  | GB/T6663.1-2007                      | CQC17001166398        |

# 产品型号 Part Number

DRM 509 D 11 M L 8 3 7 G □

产品型号 Type:  
功率型 NTC 热敏电阻器  
Power NTC thermistor

额定零功率电阻值:  
Rated zero-power resistance R25 (Ω)

最后一位数为倍乘数: 10<sup>n</sup>  
9: 10<sup>-1</sup> = 0.1 0: 10<sup>0</sup> = 1  
1: 10<sup>1</sup> = 10

示例: 509=50x0.1=5  
150=15x1=15  
101=10x10=100

产品类别  
Product category:

D: 圆片通用型  
D: general disc type

产品尺寸(直径):

| 代号<br>Code | 瓷片直径<br>Diameter of disc |
|------------|--------------------------|
| 05         | 5.0±0.5                  |
| 07         | 7.0±0.5                  |
| 09         | 9.0±0.5                  |
| 11         | 11.0±0.5                 |
| 13         | 13.0±0.5                 |
| 15         | 15.0±0.5                 |
| 20         | 20.0±0.5                 |

内部代码  
internal manage code

封装材料 coating material

G: 绿色硅树脂 green silicone resin;  
P: phenolic (black)

引线间距 lead space:

5=5.0mm 7=7.5mm 0=10mm

引线长度/包装方法

Lead length/packaging:

3=3.5±0.5 C=3.2±0.5 D=3.0±0.5  
F=F 式编带/扇折

引线直径:

CP 线:

6=0.55±0.05mm

8=0.75±0.05mm

引线形状:

L、J、K、P 见引线形状图

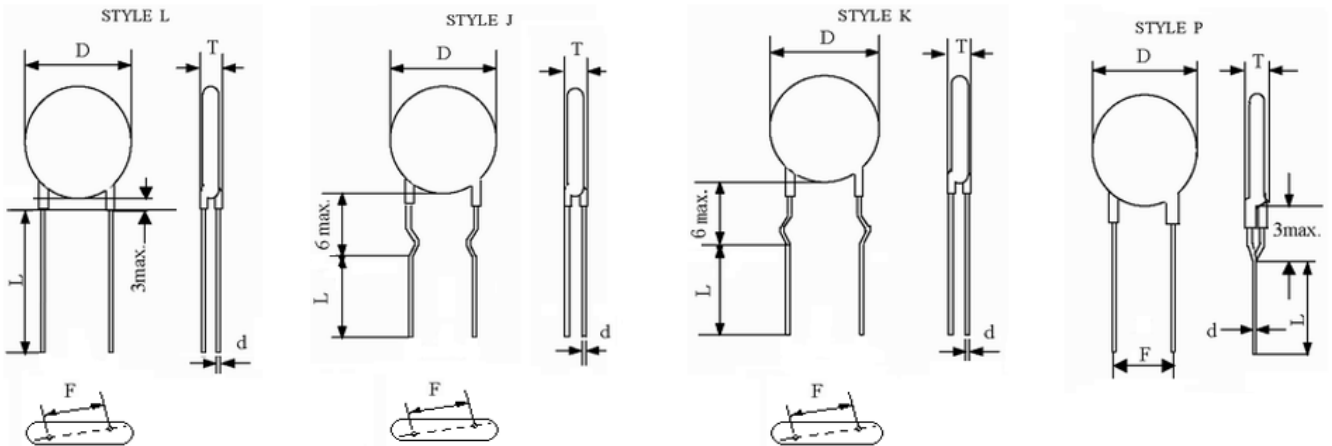
See the lead style

额定零功率电阻值 R25 的偏差

Tolerance of rated zero-power resistance R25(Ω):

M=±20% L=±15%

## 脚型 Lead style



# 规格 Specification

| SHM 产品代码<br>SHM Part no. | 额定零功率电阻@25°C<br>Rated zero-power resistance R25°C (Ω) | 最大稳态电流 @25°C<br>Max. Steady State Current (A) | 最大稳态电流下的残余电阻 @25°C<br>Residual resistance (Ω) | Material Constant: B25/85(K) | 热时间常数<br>Thermal Time Constant (s) | 耗散系数<br>Thermal Dissipation Coefficient (mW/°C) | 产品尺寸 dimensions (mm) |              |            |             |             |
|--------------------------|---|---|---|------------------------------|------------------------------------|---|----------------------|--------------|------------|-------------|-------------|
|                          |   |   |   |                              |                                    |   | 直径 Dmax (mm)         | 厚度 Tmax (mm) | 引线间距 F(mm) | 引线直径 d (mm) | 引线长度 L (mm) |
| DRM100D07MP835GA0        | 10  | 1   | 0.7885  | 2800                         | <30                                | >9  | 8.5                  | 5            | 5.0        | 0.8±0.05    | 0.8         |
| DRM509D07MJ645GA0        | 5   | 2   | 0.2864  | 2700                         |                                    |   |                      |              | 5.0        | 0.55±0.05   | 0.55        |
| DRM509D07MJCF5GA0        | 5   | 2   | 0.2864  | 2700                         |                                    |   |                      |              | 5.0        | 0.6±0.05    | F 编带        |
| DRM509D07ML685GA0        | 5   | 2   | 0.2864  | 2700                         |                                    |   |                      |              | 5.0        | 0.55±0.05   | 8.0±0.5     |
| DRM100D07ML6F5GS0        | 10  | 1   | 0.7885  | 2800                         |                                    |   |                      |              | 5.0        | 0.55±0.05   | F 编带        |
| DRM100D09MJ837GA0        | 10  | 2   | 0.398   | 2800                         | <35                                | >11   | 10.5                 | 6            | 7.5        | 0.8±0.05    | 0.8         |
| DRM100D09MK847GA0        | 10  | 2   | 0.398   | 2800                         |                                    |   |                      |              | 7.5        | 0.8±0.05    | 0.8         |
| DRM200D09MK837GA0        | 20  | 1   | 5.469   | 3200                         |                                    |   |                      |              | 7.5        | 0.8±0.05    | 0.8         |
| DRM200D09ML835GA0        | 20  | 1   | 5.469   | 3200                         |                                    |   |                      |              | 5.0        | 0.8±0.05    | 0.8         |
| DRM300D09MP835GA0        | 30  | 0.2   |   |                              |                                    |   |                      |              | 5.0        | 0.8±0.05    | 0.8         |
| DRM309D09MK6V7GA0        | 3   | 4   | 0.1456  | 2700                         |                                    |   |                      |              | 7.5        | 0.55±0.05   | V 编带        |
| DRM309D09ML8C7PA0        | 3   | 4   | 0.1456  | 2700                         |                                    |   |                      |              | 7.5        | 0.8±0.05    | 3.2±0.5     |
| DRM509D09MJ6F5GA0        | 5   | 3   | 0.2641  | 2700                         |                                    |   |                      |              | 5.0        | 0.55±0.05   | F 编带        |
| DRM509D09MJ6F5PA0        | 5   | 3   | 0.2641  | 2700                         |                                    |   |                      |              | 5.0        | 0.55±0.05   | F 编带        |
| DRM509D09MJ837GA0        | 5   | 3   | 0.2641  | 2700                         |                                    |   |                      |              | 7.5        | 0.8±0.05    | 0.8         |
| DRM509D09MJ8C5GA0        | 5   | 3   | 0.2641  | 2700                         |                                    |   |                      |              | 5.0        | 0.8±0.05    | 3.2±0.5     |
| DRM509D09MK6F5PA0        | 5   | 3   | 0.2641  | 2700                         |                                    |   |                      |              | 5.0        | 0.55±0.05   | F 编带        |
| DRM509D09MP8C7GA0        | 5   | 3   | 0.2641  | 2700                         |                                    |   |                      |              | 7.5        | 0.8±0.05    | 3.2±0.5     |
| DRM809D09MJ7F5PA0        | 8   | 2   | 0.3731  | 2800                         |                                    |   |                      |              | 5.0        | 0.65±0.05   | F 编带        |
| DRM809D09MJ837GA0        | 8   | 2   | 0.3731  | 2800                         |                                    |   |                      |              | 5.0        | 0.8±0.05    | 0.8         |
| DRM309D09MK7F5PA0        | 3   | 4   | 0.1456  | 2700                         |                                    |   |                      |              | 5.0        | 0.65±0.05   | F 编带        |
| DRM220D09MK835GA0        | 22  | 0.4   |   |                              |                                    |   |                      |              | 5.0        | 0.8±0.05    | 0.8         |
| DRM509D09MK7F5PA0        | 5   | 3   | 0.2641  | 2700                         |                                    |   |                      |              | 5.0        | 0.65±0.05   | F 编带        |
| DRM200D09MK6F7GAA        | 20  | 1   | 5.469   | 3200                         |                                    |   |                      |              | 7.5        | 0.55±0.05   | F 编带        |
| DRM100D11MJ837GA0        | 10  | 3   | 0.2676  | 2800                         |                                    |   |                      |              | <55        | >13         | 12.5        |
| DRM100D11MP8C5GA0        | 10  | 3   | 0.2676  | 2800                         | 5.0                                | 0.8±0.05  | 3.2±0.5              |              |            |             |             |
| DRM100D11MP8C7GA0        | 10  | 3   | 0.2676  | 2800                         | 7.5                                | 0.8±0.05  | 3.2±0.5              |              |            |             |             |
| DRM159D11MJ8N5GA0        | 1.5   | 5   | 0.126   | 2600                         | 5.0                                | 0.8±0.05  | 4.0±0.5              |              |            |             |             |
| DRM200D11MJ837GA0        | 20  | 2   | 0.59  | 3000                         | 7.5                                | 0.8±0.05  | V 编带                 |              |            |             |             |
| DRM259D11MJ887GA0        | 2.5   | 5   | 0.126   | 2700                         | 7.5                                | 0.8±0.05  | 8.0±0.5              |              |            |             |             |
| DRM259D11MK8C5PA0        | 2.5   | 5   | 0.126   | 2700                         | 5.0                                | 0.8±0.05  | 3.2±0.5              |              |            |             |             |
| DRM259D11MK8H5GA0        | 2.5   | 5   | 0.126   | 2700                         | 5.0                                | 0.8±0.05  | 3.8±0.5              |              |            |             |             |

|                   |     |   |        |      |     |     |      |     |     |           |         |
|-------------------|-----|---|--------|------|-----|-----|------|-----|-----|-----------|---------|
| DRM259D11MK8V7GA0 | 2.5 | 5 | 0.126  | 2700 |     |     |      |     | 7.5 | 0.8±0.05  | V 编带    |
| DRM259D11MKD35GA0 | 2.5 | 5 | 0.126  | 2700 |     |     |      |     | 5.0 | 0.8±0.05  | 0.8     |
| DRM259D11ML837GA0 | 2.5 | 5 | 0.126  | 2700 |     |     |      |     | 7.5 | 0.8±0.05  | 0.8     |
| DRM309D11MJ8N7GA0 | 3   | 5 | 0.1263 | 2700 |     |     |      |     | 7.5 | 0.8±0.05  | 4.0±0.5 |
| DRM509D11MJ837GA0 | 5   | 4 | 0.2052 | 2700 |     |     |      |     | 7.5 | 0.8±0.05  | 0.8     |
| DRM509D11MJ8C7GA0 | 5   | 4 | 0.2052 | 2700 |     |     |      |     | 7.5 | 0.8±0.05  | 3.2±0.5 |
| DRM509D11MJ8V7GA0 | 5   | 4 | 0.2052 | 2700 |     |     |      |     | 7.5 | 0.8±0.05  | V 编带    |
| DRM509D11MJDB7GK0 | 5   | 4 | 0.2052 | 2700 |     |     |      |     | 7.5 | 0.8±0.05  | 25min.  |
| DRM509D11MK6V7GA0 | 5   | 4 | 0.2052 | 2700 |     |     |      |     | 7.5 | 0.55±0.05 | V 编带    |
| DRM509D11MK8F5GA0 | 5   | 4 | 0.2052 | 2700 |     |     |      |     | 5.0 | 0.8±0.05  | F 编带    |
| DRM509D11ML8C5GA0 | 5   | 4 | 0.2052 | 2700 |     |     |      |     | 5.0 | 0.8±0.05  | 3.2±0.5 |
| DRM509D11ML8C7GA0 | 5   | 4 | 0.2052 | 2700 |     |     |      |     | 7.5 | 0.8±0.05  | 3.2±0.5 |
| DRM509D11ML8F5GA0 | 5   | 4 | 0.2052 | 2700 |     |     |      |     | 5.0 | 0.8±0.05  | F 编带    |
| DRM509D11MP837PNO | 5   | 4 | 0.2052 | 2700 |     |     |      |     | 7.5 | 0.8±0.05  | 0.8     |
| DRM509D11ML8V7GA0 | 5   | 4 | 0.2052 | 2700 |     |     |      |     | 7.5 | 0.8±0.05  | V 编带    |
| DRM100D11MP8C5PA0 | 10  | 3 | 0.2676 | 2800 |     |     |      |     | 5.0 | 0.8±0.05  | 3.2±0.5 |
| DRM259D11MP837GA0 | 2.5 | 5 | 0.126  | 2700 |     |     |      |     | 7.5 | 0.8±0.05  | 0.8     |
| DRM100D11MJ8V7GA0 | 10  | 3 | 0.2676 | 2800 |     |     |      |     | 7.5 | 0.8±0.05  | V 编带    |
| DRM259D11MJ8V7GA0 | 2.5 | 5 | 0.126  | 2700 |     |     |      |     | 7.5 | 0.8±0.05  | V 编带    |
| DRM259D11MJ835GA0 | 2.5 | 5 | 0.126  | 2700 |     |     |      |     | 5.0 | 0.8±0.05  | 0.8     |
| DRM509D11MP837GA0 | 5   | 4 | 0.2052 | 2700 |     |     |      |     | 7.5 | 0.8±0.05  | 0.8     |
| DRM509D11MP8V7GA0 | 5   | 4 | 0.2052 | 2700 |     |     |      |     | 7.5 | 0.8±0.05  | V 编带    |
| DRM139D13MK837GA0 | 1.3 | 7 | 0.0889 | 2700 |     |     |      |     | 7.5 | 0.8±0.05  | 0.8     |
| DRM259D13MJ887GA0 | 2.5 | 6 | 0.1079 | 2700 |     |     |      |     | 7.5 | 0.8±0.05  | 8.0±0.5 |
| DRM259D13MK837GA0 | 2.5 | 6 | 0.1079 | 2700 |     |     |      |     | 7.5 | 0.8±0.05  | 0.8     |
| DRM309D13MK837GA0 | 3   | 6 | 0.145  | 2700 |     |     |      |     | 7.5 | 0.8±0.05  | 0.8     |
| DRM309D13ML837GA0 | 3   | 6 | 0.145  | 2700 |     |     |      |     | 7.5 | 0.8±0.05  | 0.8     |
| DRM509D13MJ857GA0 | 5   | 5 | 0.1469 | 2800 |     |     |      |     | 7.5 | 0.8±0.05  | 5.5±0.5 |
| DRM509D13MJ8Y7GA0 | 5   | 5 | 0.1469 | 2800 | <70 | >13 | 14.5 | 7.0 | 7.5 | 0.8±0.05  | Y 编带    |
| DRM509D13MJD37GA0 | 5   | 5 | 0.1469 | 2800 |     |     |      |     | 7.5 | 0.8±0.05  | 0.8     |
| DRM509D13MK837GA0 | 5   | 5 | 0.1469 | 2800 |     |     |      |     | 7.5 | 0.8±0.05  | 0.8     |
| DRM509D13ML837GA0 | 5   | 5 | 0.1469 | 2800 |     |     |      |     | 7.5 | 0.8±0.05  | 0.8     |
| DRM509D13ML8B7GA0 | 5   | 5 | 0.1469 | 2800 |     |     |      |     | 7.5 | 0.8±0.05  | 25min.  |
| DRM259D13MK8B7GA0 | 2.5 | 6 | 0.1079 | 2700 |     |     |      |     | 7.5 | 0.8±0.05  | 25min.  |
| DRM100D15MJD37GA0 | 10  | 5 | 0.2087 | 3000 |     |     |      |     | 7.5 | 0.8±0.05  | 0.8     |
| DRM100D15MK837GA0 | 10  | 5 | 0.2087 | 3000 | <90 | >16 | 17.5 | 7.0 | 7.5 | 0.8±0.05  | 0.8     |
| DRM139D15MJ837GA0 | 1.3 | 8 | 0.0825 | 2700 |     |     |      |     | 7.5 | 0.8±0.05  | 0.8     |

|                   |     |   |        |      |      |     |      |     |     |          |         |
|-------------------|-----|---|--------|------|------|-----|------|-----|-----|----------|---------|
| DRM139D15MJ837GA0 | 1.3 | 8 | 0.0825 | 2700 |      |     |      |     | 7.5 | 0.8±0.05 | 0.8     |
| DRM150D15MJ837GA0 | 15  | 4 | 0.305  | 3200 |      |     |      |     | 7.5 | 0.8±0.05 | 0.8     |
| DRM150D15MK837GA0 | 15  | 4 | 0.305  | 3200 |      |     |      |     | 7.5 | 0.8±0.05 | 0.8     |
| DRM180D15ML837GA0 | 18  | 4 | 0.3375 | 3200 |      |     |      |     | 7.5 | 0.8±0.05 | 0.8     |
| DRM200D15MJ837GA0 | 20  | 4 | 0.3466 | 3200 |      |     |      |     | 7.5 | 0.8±0.05 | 0.8     |
| DRM200D15MKDY7GA0 | 20  | 4 | 0.3466 | 3200 |      |     |      |     | 7.5 | 0.8±0.05 | Y 编带    |
| DRM200D15MPD37GA0 | 20  | 4 | 0.3466 | 3200 |      |     |      |     | 7.5 | 0.8±0.05 | 0.8     |
| DRM259D15MK837GA0 | 2.5 | 7 | 0.1353 | 2700 |      |     |      |     | 7.5 | 0.8±0.05 | 0.8     |
| DRM259D15MLD37GA0 | 2.5 | 7 | 0.1353 | 2700 |      |     |      |     | 7.5 | 0.8±0.05 | 0.8     |
| DRM309D15MJ8N7GA0 | 3   | 7 | 0.1363 | 2700 |      |     |      |     | 7.5 | 0.8±0.05 | 4.0±0.5 |
| DRM509D15MK837GA0 | 5   | 6 | 0.1268 | 2800 |      |     |      |     | 7.5 | 0.8±0.05 | 0.8     |
| DRM509D15MKDU7GA0 | 5   | 6 | 0.1268 | 2800 |      |     |      |     | 7.5 | 0.8±0.05 | U 编带    |
| DRM509D15ML837PA0 | 5   | 6 | 0.1268 | 2800 |      |     |      |     | 7.5 | 0.8±0.05 | 0.8     |
| DRM509D15ML8B7GA0 | 5   | 6 | 0.1268 | 2800 |      |     |      |     | 7.5 | 0.8±0.05 | 25min.  |
| DRM509D15MP837GA0 | 5   | 6 | 0.1268 | 2800 |      |     |      |     | 7.5 | 0.8±0.05 | 0.8     |
| DRM100D15ML837GA0 | 10  | 5 | 0.2087 | 3000 |      |     |      |     | 7.5 | 0.8±0.05 | 0.8     |
| DRM309D15MK830GA0 | 3   | 7 | 0.1363 | 2700 |      |     |      |     | 10  | 0.8±0.05 | 0.8     |
| DRM309D20MKE30GA0 | 3   | 8 | 0.1519 | 2800 |      |     |      |     | 10  | 1.0±0.05 | 1.0     |
| DRM509D20MK830GA0 | 5   | 7 | 0.1576 | 3000 | <135 | >23 | 23.5 | 7.5 | 10  | 0.8±0.05 | 0.8     |
| DRM509D20MKE30GA0 | 5   | 7 | 0.1576 | 3000 |      |     |      |     | 10  | 1.0±0.05 | 1.0     |
| DRM509D20ML837GA0 | 5   | 7 | 0.1576 | 3000 |      |     |      |     | 7.5 | 0.8±0.05 | 0.8     |

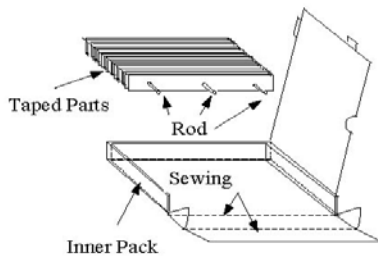
## 标志 Marking

例如 e.g

NTC  
5D-9  
SHM

# 编带样式 Taping style

## TAPING STYLE F



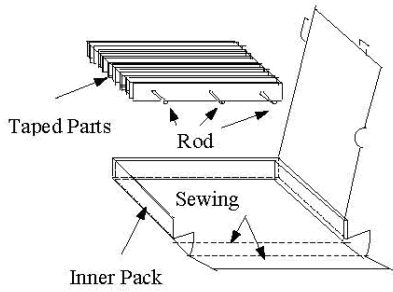
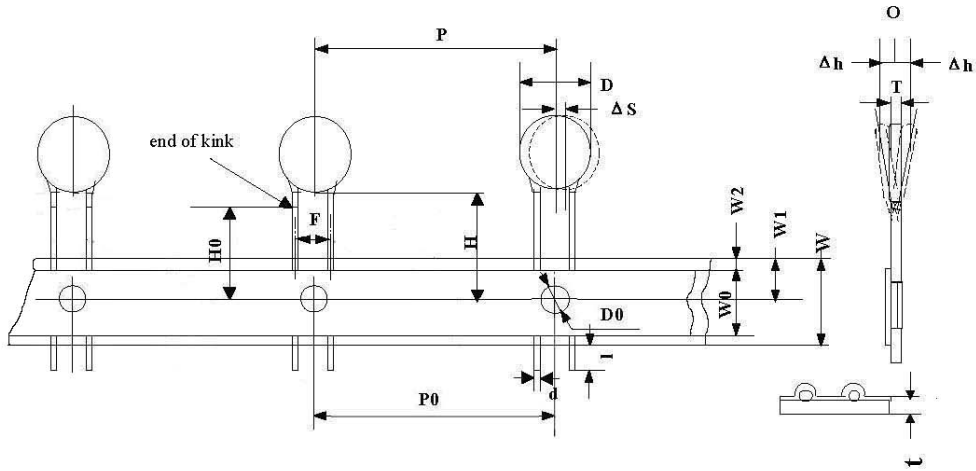
- 1.\* For lead styles of inside kink and outside kink only
2. The lead sharp shall change with lead style.

| Symbol | Dimension(mm)                   |
|--------|---------------------------------|
| P0     | 12.7±0.2                        |
| P      | 12.7±1.0                        |
| F      | 5.0±0.5                         |
| P1     | 3.85±0.4                        |
| P2     | 6.35±0.4                        |
| H0     | 16.0±0.5*                       |
| H      | 20.0±0.5                        |
| W      | 18.0±0.5                        |
| W0     | 8.0min.                         |
| W1     | 9.0±0.3                         |
| W2     | 3.0max.                         |
| t      | 0.7±0.2                         |
| D      | To comply with individual sheet |
| D0     | 4±0.2                           |
| d      | To comply with individual sheet |
| l      | 2.0max.                         |
| L      | 11max.                          |
| T      | To comply with individual sheet |
| Δ S    | 0.5max.                         |
| Δ h    | 0.5max.                         |

Figure 2



## TAPING STYLE V



| Symbol               | Dimension(mm)                   |
|----------------------|---------------------------------|
| <b>P0</b>            | <b>15.0±0.2</b>                 |
| <b>P</b>             | <b>15.0±1.0</b>                 |
| <b>F</b>             | <b>10.0±0.5</b>                 |
| <b>P1</b>            |                                 |
| <b>P2</b>            |                                 |
| <b>H0</b>            | <b>16.0±0.5*<sup>1</sup></b>    |
| <b>H</b>             | <b>20.0±0.5*<sup>2</sup></b>    |
| <b>W</b>             | <b>18.0±0.5</b>                 |
| <b>W0</b>            | <b>8.0min.</b>                  |
| <b>W1</b>            | <b>9.0±0.3</b>                  |
| <b>W<sub>2</sub></b> | <b>3.0max.</b>                  |
| <b>t</b>             | <b>0.7±0.2</b>                  |
| <b>D</b>             | To comply with individual sheet |
| <b>D0</b>            | <b>4±0.2</b>                    |
| <b>d</b>             | To comply with individual sheet |
| <b>l</b>             | <b>2.0max.</b>                  |
| <b>T</b>             | To comply with individual sheet |
| <b>ΔS</b>            | <b>1.0 max.</b>                 |
| <b>Δh</b>            | <b>1.0 max.</b>                 |

1. \*1 打弯脚型以H0为准。

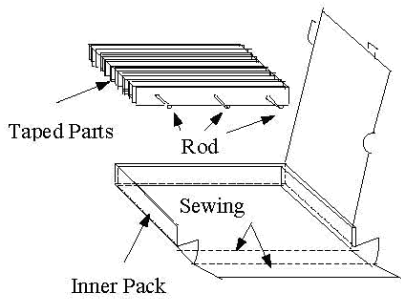
For kink lead only.

2. \*2 直脚产品以H为准。

For straight lead only.

**Figure 3**

# TAPING STYLE U



| Symbol | Dimension(mm)                   |
|--------|---------------------------------|
| P0     | 12.7±0.2                        |
| P      | 25.4±1.0                        |
| F      | 10.0±0.5                        |
| P1     | 7.7±0.4                         |
| P2     |                                 |
| H0     | 16.0±0.5*1                      |
| H      | 20.0±0.5*2                      |
| W      | 18.0±0.5                        |
| W0     | 8.0min.                         |
| W1     | 9.0±0.3                         |
| W2     | 3.0max.                         |
| t      | 0.7±0.2                         |
| D      | To comply with individual sheet |
| D0     | 4±0.2                           |
| d      | To comply with individual sheet |
| l      | 2.0max.                         |
| T      | To comply with individual sheet |
| ΔS     | 1.0 max.                        |
| Δh     | 1.0 max.                        |

1. \*1 打弯脚型以H0为准。

For kink lead only.

2. \*2 直脚产品以H为准。

For straight lead only.

Figure 6



## X-ON Electronics

Largest Supplier of Electrical and Electronic Components

*Click to view similar products for* [NTC \(Negative Temperature Coefficient\) Thermistors](#) *category:*

*Click to view products by* [South HongMing](#) *manufacturer:*

Other Similar products are found below :

[118-253FAJ-P01](#) [121-202EAC-P01](#) [123-802EAJ-P01](#) [128-105NDP-Q02](#) [B57234S330M](#) [NTCLE410E3103F](#) [199-303KAF-A02](#) [30054-4](#)  
[M09N038F](#) [B57401V2103H062](#) [500-52AA04-101](#) [526-31AA19-104](#) [526-31AN12-202](#) [103AT-5-1P-FT](#) [10K3A542I](#) [111-802EAJ-901](#) [112-](#)  
[103FAG-H02](#) [112-104KAG-B01](#) [111-182CAG-H01](#) [112-103FAF-H01](#) [112-104KBF-F01](#) [526-31AA79-102](#) [B57621C5472J62](#) [44015RC](#)  
[194303KEVA01](#) [B57359V2224J260](#) [B57621C5472K062](#) [135-105QAF-J02](#) [B57230V2103H260](#) [NTCS0603E3333FHT](#) [118-802EAJ-P01](#)  
[121-103FAC-Q02](#) [521-53AW02-104](#) [199-202FAD-A02](#) [CL109R4120](#) [GA100K6D234](#) [USUR1000-502G-06](#) [GA10K3MR1I](#) [USUR1000-](#)  
[203G-06](#) [NTCS0603E3333HHT](#) [GA1K7CG3](#) [NXFT15WB473FEAB030](#) [GA10K3A542I](#) [NTCLE213E3103JHT1](#) [A1504AS26P2A](#)  
[PANR103338-490](#) [NTCALUG02A502FA](#) [JSNA104F425FABXG](#) [JSNA103F345FABXG](#) [JSNA473F405FABXG](#)