

压敏电阻器 Zinc oxide varistors

特性 Feature

- 电压范围 Wide operation voltage range from 18V to 1800V
- 工作温度 Operating Temperature: -40°C~125°C
- 存储温度 Storage Temperature: -10°C~40°C

应用 Applications

氧化锌压敏电阻器广泛应用于电子电器设备的瞬时过电压保护和浪涌吸收。
Zinc oxide varistor is widely used in the instantaneous overvoltage protection and surge absorption of Electronic-electrical equipment.

使用标准Applicable Standard

| 通过认证 APPROVAL | 认证组织 ORGANIZATION | 标准. SAFTY STANDARDS | 证书 CERTIFICATE NO. |
|---|----------------------|--|-----------------------|
|  | UL CUL | UL1449 | E321851 |
|  | VDE | DIN EN 61051-1:2009 IEC 61051-1:2007 IEC 61051-2:1991 IEC 61051-2(ed.1);am1:2009-05 IEC 61051-2-2:1991 | 40027789 |
|  | CQC | GB/T10193-1997 GB/T10194-1997 GB4943.1-2011 GB8898-2011 | CQC05001012670 |

产品型号Part Number

产品型号 Part No.: **ZVR 07 D 471 K L 6 3 5** □

产品尺寸 Size code:

| 代号 Code | 芯片直径 disc diameter | 产品直径(D) product diameter |
|---------|--------------------|--------------------------|
| 05 | 5mm±0.5mm | 6mm±1mm |
| 07 | 7mm±0.5mm | 8mm±1mm |
| 10 | 10mm±0.5mm | 11mm±1.5mm |
| 14 | 14mm±0.5mm | 15mm±1.5mm |
| 20 | 20mm±0.5mm | 21mm±1.5mm |

产品类别代码 Shape code: **D**
代号 D: 圆片通用型产品
D: disc for general

称压敏电压 varistor voltage: **471**
For example:
180=18x10⁰ 471=47x10¹ 102=10x10²

内部管理代码: internal manage code: **□**

引线间距 lead space:
5=5.0±0.5mm 7=7.5±0.5mm 0=10.0±0.5mm

引线长度/包装方法 lead length/package:
3=3.5±0.5mm B= min. 25mm C=5.0±0.3mm
F=12.7mm 编带/扇折,

引线直径 lead diameter:
CP 线:
6=0.58±0.04mm 8=0.78±0.05mm
0=1.00±0.08mm

引线形状代码 lead style:
L 型 见引线形状 see the lead style

压敏电压允许偏差
Varistor voltage tolerance:
J=±5% K=±10% M=±20%

脚型 Lead style

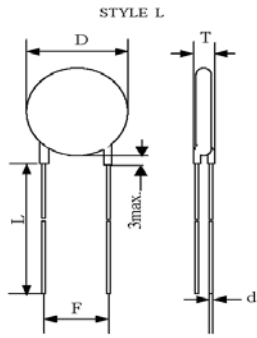


Figure 1-2

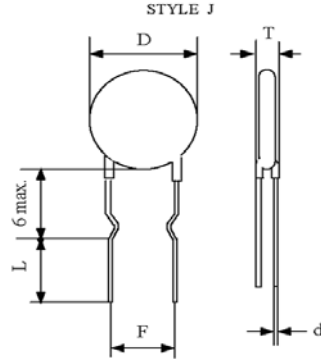


Figure 1-3

规格 Specification

| SHM 产品代码 SHM Part no. | 压敏电压 Varistor Voltage (V) | 最大允许工作电压 Maximum Operating Voltage | | 最大限制电压 Maximum Clamping Voltage | | 最大峰值电流 Maximum Peak current 8/20 μ s Ip (A) | | 产品尺寸 dimensions (mm) | | | | |
|--------------------------|------------------------------------|---|--------|--|--------|--|--------|----------------------|--------------|-------------|-------------|------------------|
| | | AC (V) | DC (V) | VC (V) | Ip (A) | 1 Time | 2 Time | 直径 D (mm) | 厚度 Tmax (mm) | 引线间距 F (mm) | 引线直径 d (mm) | 引线长度 L (mm)/编带方式 |
| | | | | | | | | | | | | |
| ZVR05D471KK6F5A0 | 470 | 300 | 380 | 810 | 5 | 400 | 200 | 6 \pm 1 | 5.8 | 5.0 | 0.55 | F 型编带 |
| ZVR07D201KL695A0 | 200 | 130 | 170 | 340 | 10 | 1250 | 800 | 8 \pm 1 | 4.1 | 5.0 | 0.55 | 9.0 \pm 1.0 |
| ZVR07D241KK6F5A0 | 240 | 150 | 200 | 395 | 10 | 1250 | 800 | 8 \pm 1 | 4.4 | 5.0 | 0.55 | F 型编带 |
| ZVR07D241KL6C5A0 | 240 | 150 | 200 | 395 | 10 | 1250 | 800 | 8 \pm 1 | 4.4 | 5.0 | 0.55 | 3.2 \pm 0.3 |
| ZVR07D271KK6F5A0 | 270 | 175 | 225 | 455 | 10 | 1250 | 800 | 8 \pm 1 | 4.6 | 5.0 | 0.55 | F 型编带 |
| ZVR07D271KL6C5A0 | 270 | 175 | 225 | 455 | 10 | 1250 | 800 | 8 \pm 1 | 4.6 | 5.0 | 0.55 | 3.2 \pm 0.3 |
| ZVR07D331KL635A0 | 330 | 210 | 276 | 572 | 10 | 1250 | 800 | 8 \pm 1 | 5.0 | 5.0 | 0.55 | 3.5 \pm 0.5 |
| ZVR07D391KK6F5F1 | 390 | 250 | 320 | 650 | 10 | 1250 | 800 | 8 \pm 1 | 5.4 | 5.0 | 0.55 | F 型编带 |
| ZVR07D431KL6F5A0 | 430 | 275 | 350 | 710 | 10 | 1250 | 800 | 8 \pm 1 | 5.6 | 5.0 | 0.55 | F 型编带 |
| ZVR07D431KL6F5F1 | 430 | 275 | 350 | 710 | 10 | 1250 | 800 | 8 \pm 1 | 5.6 | 5.0 | 0.55 | F 型编带 |
| ZVR07D431KP635A0J | 430 | 275 | 350 | 710 | 10 | 1750 | 1250 | 8 \pm 1 | 5.6 | 5.0 | 0.55 | 3.5 \pm 0.5 |
| ZVR07D431KP6F5A0 | 430 | 275 | 350 | 710 | 10 | 1250 | 800 | 8 \pm 1 | 5.6 | 5.0 | 0.55 | F 型编带 |
| ZVR07D431KP6F5A0J | 430 | 275 | 350 | 710 | 10 | 1750 | 1250 | 8 \pm 1 | 5.6 | 5.0 | 0.55 | F 型编带 |
| ZVR07D470KK6F5A0 | 47 | 30 | 38 | 93 | 2.5 | 250 | 125 | 8 \pm 1 | 4.3 | 5.0 | 0.55 | F 型编带 |
| ZVR07D471KK635A0 | 470 | 300 | 385 | 775 | 10 | 1250 | 800 | 8 \pm 1 | 5.8 | 5.0 | 0.55 | 3.5 \pm 0.5 |
| ZVR07D471KK6F5F1 | 470 | 300 | 385 | 775 | 10 | 1250 | 800 | 8 \pm 1 | 5.8 | 5.0 | 0.55 | F 型编带 |
| ZVR07D471KL645A0 | 470 | 300 | 385 | 775 | 10 | 1250 | 800 | 8 \pm 1 | 5.8 | 5.0 | 0.55 | 4.0 \pm 0.5 |
| ZVR07D471KL6B5A0 | 470 | 300 | 385 | 775 | 10 | 1250 | 800 | 8 \pm 1 | 5.8 | 5.0 | 0.55 | 25min |
| ZVR07D471KL6C5A0 | 470 | 300 | 385 | 775 | 10 | 1250 | 800 | 8 \pm 1 | 5.8 | 5.0 | 0.55 | 3.2 \pm 0.3 |

| | | | | | | | | | | | | |
|-------------------|-----|-----|-----|-----|-----|------|------|------|-----|-----|------|---------|
| ZVR07D471KL6F5A0 | 470 | 300 | 385 | 775 | 10 | 1250 | 800 | 8±1 | 5.8 | 5.0 | 0.55 | F 型编带 |
| ZVR07D471KL6F5F1 | 470 | 300 | 385 | 775 | 10 | 1250 | 800 | 8±1 | 5.8 | 5.0 | 0.55 | F 型编带 |
| ZVR07D471KP6F5A0 | 470 | 300 | 385 | 775 | 10 | 1250 | 800 | 8±1 | 5.8 | 5.0 | 0.55 | F 型编带 |
| ZVR07D511KJ6F5A0 | 510 | 320 | 430 | 845 | 10 | 1250 | 800 | 8±1 | 6.0 | 5.0 | 0.55 | F 型编带 |
| ZVR07D511KK6F5A0 | 510 | 320 | 430 | 845 | 10 | 1250 | 800 | 8±1 | 6.0 | 5.0 | 0.55 | F 型编带 |
| ZVR07D511KL635A0 | 510 | 320 | 430 | 845 | 10 | 1250 | 800 | 8±1 | 6.0 | 5.0 | 0.55 | 3.5±0.5 |
| ZVR07D511KL645A0 | 510 | 320 | 430 | 845 | 10 | 1250 | 800 | 8±1 | 6.0 | 5.0 | 0.55 | 4.0±0.5 |
| ZVR07D511KL835A0 | 510 | 320 | 430 | 845 | 10 | 1250 | 800 | 8±1 | 6.0 | 5.0 | 0.78 | 3.5±0.5 |
| ZVR07D560KJ6B5A0 | 56 | 35 | 45 | 110 | 2.5 | 250 | 125 | 8±1 | 4.4 | 5.0 | 0.55 | 25min |
| ZVR07D561KK6V7A0 | 560 | 356 | 468 | 925 | 10 | 1250 | 800 | 8±1 | 6.2 | 7.5 | 0.55 | V 型编带 |
| ZVR07D561KL655A0 | 560 | 356 | 468 | 925 | 10 | 1250 | 800 | 8±1 | 6.2 | 5.0 | 0.55 | 5.0±0.5 |
| ZVR07D561KP6F5A0 | 560 | 356 | 468 | 925 | 10 | 1250 | 800 | 8±1 | 6.2 | 5.0 | 0.55 | F 型编带 |
| ZVR10D241KK6V7A0 | 240 | 150 | 200 | 395 | 25 | 2500 | 1750 | 11±1 | 4.8 | 7.5 | 0.55 | V 型编带 |
| ZVR10D241KL638A0 | 240 | 150 | 200 | 395 | 25 | 2500 | 1750 | 11±1 | 4.8 | 8 | 0.55 | 3.5±0.5 |
| ZVR10D271KL8V7A0 | 270 | 175 | 225 | 455 | 25 | 2500 | 1750 | 11±1 | 5.1 | 7.5 | 0.78 | V 型编带 |
| ZVR10D361KL837A0 | 360 | 230 | 300 | 595 | 25 | 2500 | 1750 | 11±1 | 5.7 | 7.5 | 0.78 | 3.5±0.5 |
| ZVR10D391KL7B7A0 | 390 | 250 | 320 | 650 | 25 | 2500 | 1750 | 11±1 | 5.8 | 7.5 | 0.65 | 25min |
| ZVR10D391KL837A0 | 390 | 250 | 320 | 650 | 25 | 2500 | 1750 | 11±1 | 5.8 | 7.5 | 0.78 | 3.5±0.5 |
| ZVR10D391KL8B7A0 | 390 | 250 | 320 | 650 | 25 | 2500 | 1750 | 11±1 | 5.8 | 7.5 | 0.78 | 25min |
| ZVR10D391KP857A0 | 390 | 250 | 320 | 650 | 25 | 2500 | 1750 | 11±1 | 5.8 | 7.5 | 0.78 | 5.0±0.5 |
| ZVR10D431KL837A0 | 430 | 275 | 350 | 710 | 25 | 2500 | 1750 | 11±1 | 5.9 | 7.5 | 0.78 | 3.5±0.5 |
| ZVR10D431KL837A0J | 430 | 275 | 350 | 710 | 25 | 3500 | 2500 | 11±1 | 5.9 | 7.5 | 0.78 | 3.5±0.5 |
| ZVR10D471KK837A0 | 470 | 300 | 385 | 775 | 25 | 2500 | 1750 | 11±1 | 6.0 | 7.5 | 0.78 | 3.5±0.5 |
| ZVR10D471KK837F1 | 470 | 300 | 385 | 775 | 25 | 2500 | 1750 | 11±1 | 6.0 | 7.5 | 0.78 | 3.5±0.5 |
| ZVR10D471KK8C7A0G | 470 | 300 | 385 | 775 | 25 | 3500 | 2500 | 13±1 | 6.0 | 7.5 | 0.78 | 3.2±0.3 |
| ZVR10D471KK8U7A0J | 470 | 300 | 385 | 775 | 25 | 3500 | 2500 | 11±1 | 6.0 | 7.5 | 0.78 | U 型编带 |
| ZVR10D471KL6B8A0 | 470 | 300 | 385 | 775 | 25 | 2500 | 1750 | 11±1 | 6.0 | 8 | 0.55 | 25min |
| ZVR10D471KL82JA0 | 470 | 300 | 385 | 775 | 25 | 2500 | 1750 | 11±1 | 6.0 | 7.5 | 0.78 | 2.8±0.4 |
| ZVR10D471KL837A0 | 470 | 300 | 385 | 775 | 25 | 2500 | 1750 | 11±1 | 6.0 | 7.5 | 0.78 | 3.5±0.5 |
| ZVR10D471KL847A0 | 470 | 300 | 385 | 775 | 25 | 2500 | 1750 | 11±1 | 6.0 | 7.5 | 0.78 | 4.0±0.5 |
| ZVR10D471KL877A0 | 470 | 300 | 385 | 775 | 25 | 2500 | 1750 | 11±1 | 6.0 | 7.5 | 0.78 | 7.0±0.5 |
| ZVR10D471KL87FA0 | 470 | 300 | 385 | 775 | 25 | 2500 | 1750 | 11±1 | 6.0 | 7.7 | 0.78 | 7.0±0.5 |
| ZVR10D471KL8B7A0 | 470 | 300 | 385 | 775 | 25 | 2500 | 1750 | 11±1 | 6.0 | 7.5 | 0.78 | 25min |
| ZVR10D471KL8C7A0 | 470 | 300 | 385 | 775 | 25 | 2500 | 1750 | 11±1 | 6.0 | 7.5 | 0.78 | 3.2±0.3 |

| | | | | | | | | | | | | |
|-------------------|-----|-----|-----|------|----|------|------|--------|-----|-----|------|---------|
| ZVR10D471KL8C7A0G | 470 | 300 | 385 | 775 | 25 | 3500 | 2500 | 13±1 | 6.0 | 7.5 | 0.78 | 3.2±0.3 |
| ZVR10D471KL8U7A0 | 470 | 300 | 385 | 775 | 25 | 2500 | 1750 | 11±1 | 6.0 | 7.5 | 0.78 | U 型编带 |
| ZVR10D471KL8V7A0 | 470 | 300 | 385 | 775 | 25 | 2500 | 1750 | 11±1 | 6.0 | 7.5 | 0.78 | V 型编带 |
| ZVR10D471KP7F5F1 | 470 | 300 | 385 | 775 | 25 | 2500 | 1750 | 11±1 | 6.0 | 5.0 | 0.65 | F 型编带 |
| ZVR10D511KK837A0J | 510 | 320 | 430 | 840 | 25 | 3500 | 2500 | 11±1 | 6.2 | 7.5 | 0.78 | 3.5±0.5 |
| ZVR10D511KL837A0 | 510 | 320 | 430 | 840 | 25 | 2500 | 1750 | 11±1 | 6.2 | 7.5 | 0.78 | 3.5±0.5 |
| ZVR10D511KL8B7A0 | 510 | 320 | 430 | 840 | 25 | 2500 | 1750 | 11±1 | 6.2 | 7.5 | 0.78 | 25min |
| ZVR10D511KL8B7A0J | 510 | 320 | 430 | 840 | 25 | 3500 | 2500 | 11±1 | 6.2 | 7.5 | 0.78 | 25min |
| ZVR10D561KK837A0 | 560 | 356 | 468 | 925 | 25 | 2500 | 1750 | 11±1 | 6.4 | 7.5 | 0.78 | 3.5±0.5 |
| ZVR10D561KK837A0J | 560 | 356 | 468 | 925 | 25 | 3500 | 2500 | 11±1 | 6.4 | 7.5 | 0.78 | 3.5±0.5 |
| ZVR10D561KK837F1 | 560 | 356 | 468 | 925 | 25 | 2500 | 1750 | 11±1 | 6.4 | 7.5 | 0.78 | 3.5±0.5 |
| ZVR10D561KK8C7A0G | 560 | 356 | 468 | 925 | 25 | 3500 | 2500 | 13±1 | 6.4 | 7.5 | 0.78 | 3.2±0.3 |
| ZVR10D561KKDV7A0J | 560 | 356 | 468 | 925 | 25 | 3500 | 2500 | 11±1 | 6.4 | 7.5 | 0.78 | V 型编带 |
| ZVR10D561KL638A0 | 560 | 356 | 468 | 925 | 25 | 2500 | 1750 | 11±1 | 6.4 | 8 | 0.55 | 3.5±0.5 |
| ZVR10D561KL648A0 | 560 | 356 | 468 | 925 | 25 | 2500 | 1750 | 11±1 | 6.4 | 8 | 0.55 | 4.0±0.5 |
| ZVR10D561KL827A8J | 560 | 356 | 468 | 925 | 25 | 3500 | 2500 | 11±1 | 6.4 | 7.5 | 0.78 | 2.8±0.4 |
| ZVR10D561KL837A0 | 560 | 356 | 468 | 925 | 25 | 2500 | 1750 | 11±1 | 6.4 | 7.5 | 0.78 | 3.5±0.5 |
| ZVR10D561KL837A0G | 560 | 356 | 468 | 925 | 25 | 3500 | 2500 | 13±1 | 6.4 | 7.5 | 0.78 | 3.5±0.5 |
| ZVR10D561KL837A0J | 560 | 356 | 468 | 925 | 25 | 3500 | 2500 | 11±1 | 6.4 | 7.5 | 0.78 | 3.5±0.5 |
| ZVR10D561KL837E0 | 560 | 356 | 468 | 925 | 25 | 2500 | 1750 | 11±1 | 6.4 | 7.5 | 0.78 | 3.5±0.5 |
| ZVR10D561KL857A0 | 560 | 356 | 468 | 925 | 25 | 2500 | 1750 | 11±1 | 6.4 | 7.5 | 0.78 | 5.0±0.5 |
| ZVR10D561KL8B7A0 | 560 | 356 | 468 | 925 | 25 | 2500 | 1750 | 11±1 | 6.4 | 7.5 | 0.78 | 25min |
| ZVR10D561KL8C7A0 | 560 | 356 | 468 | 925 | 25 | 2500 | 1750 | 11±1 | 6.4 | 7.5 | 0.78 | 3.2±0.3 |
| ZVR10D561KL8C7A0G | 560 | 356 | 468 | 925 | 25 | 3500 | 2500 | 13±1 | 6.4 | 7.5 | 0.78 | 3.2±0.3 |
| ZVR10D561KL8D7A0 | 560 | 356 | 468 | 925 | 25 | 2500 | 1750 | 11±1 | 6.4 | 7.5 | 0.78 | 3.0±0.5 |
| ZVR10D561KP8V7A0 | 560 | 356 | 468 | 925 | 25 | 2500 | 1750 | 11±1 | 6.4 | 7.5 | 0.78 | V 型编带 |
| ZVR10D621KL837A0 | 620 | 385 | 505 | 1025 | 25 | 2500 | 1750 | 11±1 | 6.6 | 7.5 | 0.78 | 3.5±0.5 |
| ZVR10D621KL8D7A0G | 620 | 385 | 505 | 1025 | 25 | 3500 | 2500 | 13±1 | 6.6 | 7.5 | 0.78 | 3.0±0.5 |
| ZVR10D681KL738A0 | 680 | 420 | 565 | 1120 | 25 | 2500 | 1750 | 11±1 | 6.8 | 8 | 0.65 | 3.5±0.5 |
| ZVR10D681KL837A0 | 680 | 420 | 565 | 1120 | 25 | 2500 | 1750 | 11±1 | 6.8 | 7.5 | 0.78 | 3.5±0.5 |
| ZVR10D681KL8C7A0 | 680 | 420 | 565 | 1120 | 25 | 2500 | 1750 | 11±1 | 6.8 | 7.5 | 0.78 | 3.2±0.3 |
| ZVR10D821KL837A0 | 820 | 510 | 670 | 1355 | 25 | 2500 | 1750 | 11±1 | 7.5 | 7.5 | 0.78 | 3.5±0.5 |
| ZVR14D151KL8B7A0 | 150 | 95 | 125 | 250 | 50 | 4500 | 2500 | 15±1.5 | 4.5 | 7.5 | 0.78 | 25min |
| ZVR14D241KL8B7A0 | 240 | 150 | 200 | 395 | 50 | 4500 | 2500 | 15±1.5 | 4.8 | 7.5 | 0.78 | 25min |

| | | | | | | | | | | | | |
|-------------------|-----|-----|-----|------|----|------|------|--------|-----|-----|------|----------|
| ZVR14D271KL877A0 | 270 | 175 | 225 | 455 | 50 | 4500 | 2500 | 15±1.5 | 5.1 | 7.5 | 0.78 | 7.0±0.5 |
| ZVR14D471KK837A1 | 470 | 300 | 385 | 775 | 50 | 4500 | 2500 | 15±1.5 | 6.0 | 7.5 | 0.78 | 3.5±0.5 |
| ZVR14D471KK8C7A0J | 470 | 300 | 385 | 775 | 50 | 6000 | 4500 | 15±1.5 | 6.0 | 7.5 | 0.78 | 3.2±0.3 |
| ZVR14D471KK8C7G1 | 470 | 300 | 385 | 775 | 50 | 4500 | 2500 | 15±1.5 | 6.0 | 7.5 | 0.78 | 3.2±0.3 |
| ZVR14D471KL807A0 | 470 | 300 | 385 | 775 | 50 | 4500 | 2500 | 15±1.5 | 6.0 | 7.5 | 0.78 | 10.0±1.0 |
| ZVR14D471KL837A0 | 470 | 300 | 385 | 775 | 50 | 4500 | 2500 | 15±1.5 | 6.0 | 7.5 | 0.78 | 3.5±0.5 |
| ZVR14D471KL847A0 | 470 | 300 | 385 | 775 | 50 | 4500 | 2500 | 15±1.5 | 6.0 | 7.5 | 0.78 | 4.0±0.5 |
| ZVR14D471KL857A0 | 470 | 300 | 385 | 775 | 50 | 4500 | 2500 | 15±1.5 | 6.0 | 7.5 | 0.78 | 5.0±0.5 |
| ZVR14D471KL877A0 | 470 | 300 | 385 | 775 | 50 | 4500 | 2500 | 15±1.5 | 6.0 | 7.5 | 0.78 | 7.0±0.5 |
| ZVR14D471KL8C7A0J | 470 | 300 | 385 | 775 | 50 | 6000 | 4500 | 15±1.5 | 6.0 | 7.5 | 0.78 | 3.2±0.3 |
| ZVR14D511KL837A0 | 510 | 320 | 430 | 840 | 50 | 4500 | 2500 | 15±1.5 | 6.2 | 7.5 | 0.78 | 3.5±0.5 |
| ZVR14D511KL847A0 | 510 | 320 | 430 | 840 | 50 | 4500 | 2500 | 15±1.5 | 6.2 | 7.5 | 0.78 | 4.0±0.5 |
| ZVR14D511KL8B7A0 | 510 | 320 | 430 | 840 | 50 | 4500 | 2500 | 15±1.5 | 6.2 | 7.5 | 0.78 | 25min |
| ZVR14D561KK837E0 | 560 | 356 | 468 | 925 | 50 | 4500 | 2500 | 15±1.5 | 6.4 | 7.5 | 0.78 | 3.5±0.5 |
| ZVR14D561KK837F1 | 560 | 356 | 468 | 925 | 50 | 4500 | 2500 | 15±1.5 | 6.4 | 7.5 | 0.78 | 3.5±0.5 |
| ZVR14D561KK8C7A0J | 560 | 356 | 468 | 925 | 50 | 6000 | 4500 | 15±1.5 | 6.4 | 7.5 | 0.78 | 3.2±0.3 |
| ZVR14D561KL837A0 | 560 | 356 | 468 | 925 | 50 | 4500 | 2500 | 15±1.5 | 6.4 | 7.5 | 0.78 | 3.5±0.5 |
| ZVR14D561KL837A0J | 560 | 356 | 468 | 925 | 50 | 6000 | 4500 | 15±1.5 | 6.4 | 7.5 | 0.78 | 3.5±0.5 |
| ZVR14D561KL837E0 | 560 | 356 | 468 | 925 | 50 | 4500 | 2500 | 15±1.5 | 6.4 | 7.5 | 0.78 | 3.5±0.5 |
| ZVR14D561KL887A0 | 560 | 356 | 468 | 925 | 50 | 4500 | 2500 | 15±1.5 | 6.4 | 7.5 | 0.78 | 8.0±1.0 |
| ZVR14D561KL8C7A0J | 560 | 356 | 468 | 925 | 50 | 6000 | 4500 | 15±1.5 | 6.4 | 7.5 | 0.78 | 3.2±0.3 |
| ZVR14D621KB837FB | 620 | 385 | 505 | 1025 | 50 | 4500 | 2500 | 15±1.5 | 6.6 | 7.5 | 0.78 | 3.5±0.5 |
| ZVR14D621KB837GB | 620 | 385 | 505 | 1025 | 50 | 4500 | 2500 | 15±1.5 | 6.6 | 7.5 | 0.78 | 3.5±0.5 |
| ZVR14D621KK7Y7F1 | 620 | 385 | 505 | 1025 | 50 | 4500 | 2500 | 15±1.5 | 6.6 | 7.5 | 0.65 | Y型编带 |
| ZVR14D621KK837FB | 620 | 385 | 505 | 1025 | 50 | 4500 | 2500 | 15±1.5 | 6.6 | 7.5 | 0.78 | 3.5±0.5 |
| ZVR14D621KK837GB | 620 | 385 | 505 | 1025 | 50 | 4500 | 2500 | 15±1.5 | 6.6 | 7.5 | 0.78 | 3.5±0.5 |
| ZVR14D621KK8C8FB | 620 | 385 | 505 | 1025 | 50 | 4500 | 2500 | 15±1.5 | 6.6 | 8 | 0.78 | 3.2±0.3 |
| ZVR14D681KB837A0J | 680 | 420 | 565 | 1120 | 50 | 6000 | 4500 | 15±1.5 | 6.8 | 7.5 | 0.78 | 3.5±0.5 |
| ZVR14D681KK837A0 | 680 | 420 | 565 | 1120 | 50 | 4500 | 2500 | 15±1.5 | 6.8 | 7.5 | 0.78 | 3.5±0.5 |
| ZVR14D681KK837E0 | 680 | 420 | 565 | 1120 | 50 | 4500 | 2500 | 15±1.5 | 6.8 | 7.5 | 0.78 | 3.5±0.5 |
| ZVR14D681KK837G1 | 680 | 420 | 565 | 1120 | 50 | 4500 | 2500 | 15±1.5 | 6.8 | 7.5 | 0.78 | 3.5±0.5 |
| ZVR14D681KL837A0J | 680 | 420 | 565 | 1120 | 50 | 6000 | 4500 | 15±1.5 | 6.8 | 7.5 | 0.78 | 3.5±0.5 |
| ZVR14D681KL8J7A0 | 680 | 420 | 565 | 1120 | 50 | 4500 | 2500 | 15±1.5 | 6.8 | 7.5 | 0.78 | 4.5±0.5 |
| ZVR14D681KT837G1 | 680 | 420 | 565 | 1120 | 50 | 4500 | 2500 | 15±1.5 | 6.8 | 7.5 | 0.78 | 3.5±0.5 |

| | | | | | | | | | | | | |
|------------------|-----|-----|-----|------|-----|------|------|--------|-----|-----|------|---------|
| ZVR14D751KB837F1 | 750 | 460 | 615 | 1240 | 50 | 4500 | 2500 | 15±1.5 | 7.0 | 7.5 | 0.78 | 3.5±0.5 |
| ZVR14D751KF837G1 | 750 | 460 | 615 | 1240 | 50 | 4500 | 2500 | 15±1.5 | 7.0 | 7.5 | 0.78 | 3.5±0.5 |
| ZVR14D751KK837F1 | 750 | 460 | 615 | 1240 | 50 | 4500 | 2500 | 15±1.5 | 7.0 | 7.5 | 0.78 | 3.5±0.5 |
| ZVR14D751KK837G1 | 750 | 460 | 615 | 1240 | 50 | 4500 | 2500 | 15±1.5 | 7.0 | 7.5 | 0.78 | 3.5±0.5 |
| ZVR14D751KK8C7G1 | 750 | 460 | 615 | 1240 | 50 | 4500 | 2500 | 15±1.5 | 7.0 | 7.5 | 0.78 | 3.2±0.3 |
| ZVR14D751KT8C7F1 | 750 | 460 | 615 | 1240 | 50 | 4500 | 2500 | 15±1.5 | 7.0 | 7.5 | 0.78 | 3.2±0.3 |
| ZVR14D751KT8C7G1 | 750 | 460 | 615 | 1240 | 50 | 4500 | 2500 | 15±1.5 | 7.0 | 7.5 | 0.78 | 3.2±0.3 |
| ZVR20D431KK830A0 | 430 | 275 | 350 | 710 | 100 | 6500 | 4000 | 21±1.5 | 6.4 | 10 | 0.78 | 3.5±0.5 |
| ZVR20D751KL8B0A0 | 750 | 460 | 615 | 1240 | 100 | 6500 | 4000 | 21±1.5 | 7.3 | 10 | 0.78 | 25min |

标志 Marking

例如 e.g

| 正面 front | 背面 back |
|--|---|
|  |  |

编带样式 Taping style

TAPING STYLE F



- 1.* For lead styles of inside kink and outside kink only
2. The lead sharp shall change with lead style.

| Symbol | Dimension(mm) |
|--------|---------------------------------|
| P0 | 12.7±0.2 |
| P | 12.7±1.0 |
| F | 5.0±0.5 |
| P1 | 3.85±0.4 |
| P2 | 6.35±0.4 |
| H0 | 16.0±0.5* |
| H | 20.0±0.5 |
| W | 18.0±0.5 |
| W0 | 8.0min. |
| W1 | 9.0±0.3 |
| W2 | 3.0max. |
| t | 0.7±0.2 |
| D | To comply with individual sheet |
| D0 | 4±0.2 |
| d | To comply with individual sheet |
| l | 2.0max. |
| L | 11max. |
| T | To comply with individual sheet |
| Δ S | 0.5max. |
| Δ h | 0.5max. |

Figure 2



TAPING STYLE V



| Symbol | Dimension(mm) |
|------------|---------------------------------|
| P0 | 15.0±0.2 |
| P | 15.0±1.0 |
| F | 10.0±0.5 |
| P1 | |
| P2 | |
| H0 | 16.0±0.5*1 |
| H | 20.0±0.5*2 |
| W | 18.0±0.5 |
| W0 | 8.0min. |
| W1 | 9.0±0.3 |
| W2 | 3.0max. |
| t | 0.7±0.2 |
| D | To comply with individual sheet |
| D0 | 4±0.2 |
| d | To comply with individual sheet |
| l | 2.0max. |
| T | To comply with individual sheet |
| Δ S | 1.0 max. |
| Δ h | 1.0 max. |

1. *1 打弯脚型以H0为准。

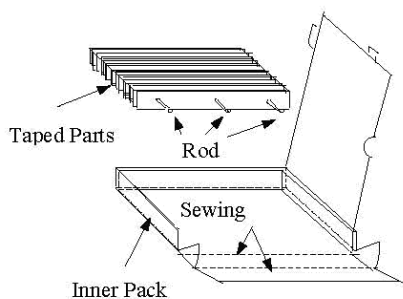
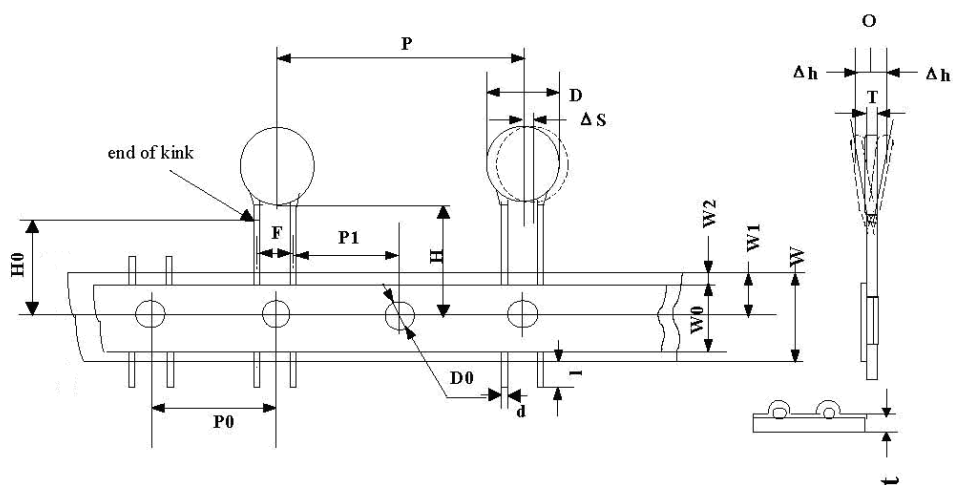
For kink lead only.

2. *2 直脚产品以H为准。

For straight lead only.

Figure 3

TAPING STYLE U



| Symbol | Dimension(mm) |
|--------|---------------------------------|
| P0 | 12.7±0.2 |
| P | 25.4±1.0 |
| F | 10.0±0.5 |
| P1 | 7.7±0.4 |
| P2 | |
| H0 | 16.0±0.5*1 |
| H | 20.0±0.5*2 |
| W | 18.0±0.5 |
| W0 | 8.0min. |
| W1 | 9.0±0.3 |
| W2 | 3.0max. |
| t | 0.7±0.2 |
| D | To comply with individual sheet |
| D0 | 4±0.2 |
| d | To comply with individual sheet |
| l | 2.0max. |
| T | To comply with individual sheet |
| ΔS | 1.0 max. |
| Δh | 1.0 max. |

1. *1 打弯脚型以H0为准。

For kink lead only.

2. *2 直脚产品以H为准。

For straight lead only.

Figure 6

X-ON Electronics

Largest Supplier of Electrical and Electronic Components

Click to view similar products for [Varistors](#) category:

Click to view products by [South HongMing](#) manufacturer:

Other Similar products are found below :

[R71ZOV151HC](#) [B72205S271K111](#) [B72214S110K151](#) [B72214S251K151](#) [B72540E250K62](#) [NTE1V020](#) [NTE1V130](#) [25FN511K](#)
[S10K11G5S5](#) [ERZ-C14DK361U](#) [ERZ-C20DK221U](#) [ERZ-C32CK201B](#) [207869-1](#) [AS-13](#) [B72214S200K551](#) [B72280B112K1](#) [B72540E](#)
[350K 62](#) [B72590D360A60](#) [B72650M301K93](#) [B72670M1140K72](#) [TVZ18EC271KBS](#) [TVZ20EB911KBS](#) [TVZ25D201KBS](#) [TVZ25D241KBS](#)
[VDRH20X230BSE](#) [VZ07D220KBS](#) [VZ40D241KQ-N](#) [VZ40D241K](#) [VZ25D511KBS-N](#) [VZ20E511KBSX](#) [VZ20E221KBSX](#)
[VZ10D471KBS-N](#) [ERZ-V20R221](#) [20A9FN241K](#) [B72205S350K211](#) [B72214S110K551](#) [B72510E140K62](#) [B72650M350K72](#)
[TVZ25DN271KBS](#) [TVZ25D301KBS](#) [TVZ20EC911KBS](#) [TVZ20EBN911KBS](#) [TVZ18EC471KBS](#) [B72220S350K101](#) [B72540E300K62](#)
[TND10V-271KB00AAA0](#) [NTE1V030](#) [NTE1V275](#) [NTE2V015](#) [NTE2V035](#)