

# 压敏电阻器 Zinc oxide varistors




## 特性 Feature

- 电压范围 Wide operation voltage range from 18V to 1800V
- 工作温度 Operating Temperature: -40°C~125°C
- 存储温度 Storage Temperature: -10°C~40°C

## 应用 Applications

氧化锌压敏电阻器广泛应用于电子电器设备的瞬时过电压保护和浪涌吸收。  
Zinc oxide varistor is widely used in the instantaneous overvoltage protection and surge absorption of Electronic-electrical equipment.

## 使用标准 Applicable Standard

| 通过认证<br>APPROVAL  | 认证组织<br>ORGANIZATION | 标准.<br>SAFTY STANDARDS   | 证书<br>CERTIFICATE NO. |
|---|----------------------|--|-----------------------|
|    | <b>UL<br/>CUL</b>    | UL1449   | E321851               |
|  | <b>VDE</b>           | DIN EN 61051-1:2009<br>IEC 61051-1:2007<br>IEC 61051-2:1991<br>IEC 61051-2(ed.1);am1:2009-05<br>IEC 61051-2-2:1991 | 40027789              |
|  | <b>CQC</b>           | GB/T10193-1997<br>GB/T10194-1997<br>GB4943.1-2011<br>GB8898-2011   | CQC05001012670        |

## 产品型号 Part Number

产品型号 Part No.: **ZVR 07 D 471 K L 6 3 5** □

产品尺寸 Size code: **07**

代号: 芯片直径 产品直径(D)  
Code disc diameter product diameter  
05 5mm±0.5mm 6mm±1mm  
07 7mm±0.5mm 8mm±1mm  
10 10mm±0.5mm 11mm±1.5mm  
14 14mm±0.5mm 15mm±1.5mm  
20 20mm±0.5mm 21mm±1.5mm

产品类别代码 Shape code: **D**  
代号 D: 圆片通用型产品  
D: disc for general

称压敏电压 varistor voltage: **471**  
For example:  
180=18x10<sup>0</sup> 471=47x10<sup>1</sup> 102=10x10<sup>2</sup>

内部管理代码: internal manage code: **□**

引线间距 lead space:  
5=5.0±0.5mm 7=7.5±0.5mm 0=10.0±0.5mm

引线长度/包装方法 lead length/package:  
3=3.5±0.5mm B= min. 25mm C=5.0±0.3mm  
F=12.7mm 编带/扇折,

引线直径 lead diameter:  
CP 线:  
6=0.58±0.04mm 8=0.78±0.05mm  
0=1.00±0.08mm

引线形状代码 lead style:  
L 型 见引线形状 see the lead style

压敏电压允许偏差  
Varistor voltage tolerance:  
J=±5% K=±10% M=±20%

# 脚型 Lead style

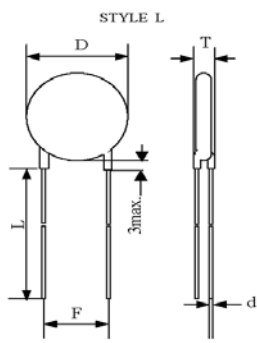


Figure 1-2

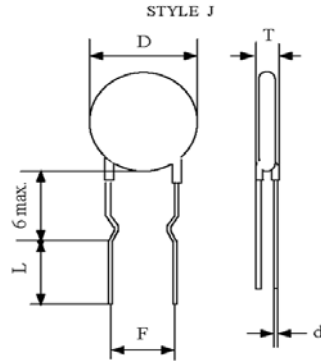


Figure 1-3

## 规格 Specification

| SHM 产品代码<br>SHM Part no. | 压敏电压<br>Varistor<br>Voltage<br>(V) | 最大允许工作电压<br>Maximum<br>Operating<br>Voltage |        | 最大限制电压<br>Maximum<br>Clamping<br>Voltage |        | 最大峰值电流<br>Maximum<br>Peak current<br>8/20 $\mu$ s Ip (A) |        | 产品尺寸 dimensions (mm) |              |            |             |                 |
|--------------------------|------------------------------------|---|--------|--|--------|--|--------|----------------------|--------------|------------|-------------|-----------------|
|                          |                                    | AC (V)                                      | DC (V) | VC (V)                                   | Ip (A) | 1 Time   | 2 Time | 直径 D (mm)            | 厚度 Tmax (mm) | 引线间距 F(mm) | 引线直径 d (mm) | 引线长度 L(mm)/编带方式 |
|                          |                                    | ZVR05D471KK6F5A0                            | 470    | 300                                      | 380    | 810  | 5      | 400                  | 200          | 6 $\pm$ 1  | 5.8         | 5.0             |
| ZVR07D201KL695A0         | 200                                | 130   | 170    | 340                                      | 10     | 1250   | 800    | 8 $\pm$ 1            | 4.1          | 5.0        | 0.55        | 9.0 $\pm$ 1.0   |
| ZVR07D241KK6F5A0         | 240                                | 150   | 200    | 395                                      | 10     | 1250   | 800    | 8 $\pm$ 1            | 4.4          | 5.0        | 0.55        | F 型编带           |
| ZVR07D241KL6C5A0         | 240                                | 150   | 200    | 395                                      | 10     | 1250   | 800    | 8 $\pm$ 1            | 4.4          | 5.0        | 0.55        | 3.2 $\pm$ 0.3   |
| ZVR07D271KK6F5A0         | 270                                | 175   | 225    | 455                                      | 10     | 1250   | 800    | 8 $\pm$ 1            | 4.6          | 5.0        | 0.55        | F 型编带           |
| ZVR07D271KL6C5A0         | 270                                | 175   | 225    | 455                                      | 10     | 1250   | 800    | 8 $\pm$ 1            | 4.6          | 5.0        | 0.55        | 3.2 $\pm$ 0.3   |
| ZVR07D331KL635A0         | 330                                | 210   | 276    | 572                                      | 10     | 1250   | 800    | 8 $\pm$ 1            | 5.0          | 5.0        | 0.55        | 3.5 $\pm$ 0.5   |
| ZVR07D391KK6F5F1         | 390                                | 250   | 320    | 650                                      | 10     | 1250   | 800    | 8 $\pm$ 1            | 5.4          | 5.0        | 0.55        | F 型编带           |
| ZVR07D431KL6F5A0         | 430                                | 275   | 350    | 710                                      | 10     | 1250   | 800    | 8 $\pm$ 1            | 5.6          | 5.0        | 0.55        | F 型编带           |
| ZVR07D431KL6F5F1         | 430                                | 275   | 350    | 710                                      | 10     | 1250   | 800    | 8 $\pm$ 1            | 5.6          | 5.0        | 0.55        | F 型编带           |
| ZVR07D431KP635A0J        | 430                                | 275   | 350    | 710                                      | 10     | 1750   | 1250   | 8 $\pm$ 1            | 5.6          | 5.0        | 0.55        | 3.5 $\pm$ 0.5   |
| ZVR07D431KP6F5A0         | 430                                | 275   | 350    | 710                                      | 10     | 1250   | 800    | 8 $\pm$ 1            | 5.6          | 5.0        | 0.55        | F 型编带           |
| ZVR07D431KP6F5A0J        | 430                                | 275   | 350    | 710                                      | 10     | 1750   | 1250   | 8 $\pm$ 1            | 5.6          | 5.0        | 0.55        | F 型编带           |
| ZVR07D470KK6F5A0         | 47                                 | 30  | 38     | 93                                       | 2.5    | 250  | 125    | 8 $\pm$ 1            | 4.3          | 5.0        | 0.55        | F 型编带           |
| ZVR07D471KK635A0         | 470                                | 300   | 385    | 775                                      | 10     | 1250   | 800    | 8 $\pm$ 1            | 5.8          | 5.0        | 0.55        | 3.5 $\pm$ 0.5   |
| ZVR07D471KK6F5F1         | 470                                | 300   | 385    | 775                                      | 10     | 1250   | 800    | 8 $\pm$ 1            | 5.8          | 5.0        | 0.55        | F 型编带           |
| ZVR07D471KL645A0         | 470                                | 300   | 385    | 775                                      | 10     | 1250   | 800    | 8 $\pm$ 1            | 5.8          | 5.0        | 0.55        | 4.0 $\pm$ 0.5   |
| ZVR07D471KL6B5A0         | 470                                | 300   | 385    | 775                                      | 10     | 1250   | 800    | 8 $\pm$ 1            | 5.8          | 5.0        | 0.55        | 25min           |
| ZVR07D471KL6C5A0         | 470                                | 300   | 385    | 775                                      | 10     | 1250   | 800    | 8 $\pm$ 1            | 5.8          | 5.0        | 0.55        | 3.2 $\pm$ 0.3   |

|                   |     |     |     |     |     |      |      |      |     |     |      |         |
|-------------------|-----|-----|-----|-----|-----|------|------|------|-----|-----|------|---------|
| ZVR07D471KL6F5A0  | 470 | 300 | 385 | 775 | 10  | 1250 | 800  | 8±1  | 5.8 | 5.0 | 0.55 | F 型编带   |
| ZVR07D471KL6F5F1  | 470 | 300 | 385 | 775 | 10  | 1250 | 800  | 8±1  | 5.8 | 5.0 | 0.55 | F 型编带   |
| ZVR07D471KP6F5A0  | 470 | 300 | 385 | 775 | 10  | 1250 | 800  | 8±1  | 5.8 | 5.0 | 0.55 | F 型编带   |
| ZVR07D511KJ6F5A0  | 510 | 320 | 430 | 845 | 10  | 1250 | 800  | 8±1  | 6.0 | 5.0 | 0.55 | F 型编带   |
| ZVR07D511KK6F5A0  | 510 | 320 | 430 | 845 | 10  | 1250 | 800  | 8±1  | 6.0 | 5.0 | 0.55 | F 型编带   |
| ZVR07D511KL635A0  | 510 | 320 | 430 | 845 | 10  | 1250 | 800  | 8±1  | 6.0 | 5.0 | 0.55 | 3.5±0.5 |
| ZVR07D511KL645A0  | 510 | 320 | 430 | 845 | 10  | 1250 | 800  | 8±1  | 6.0 | 5.0 | 0.55 | 4.0±0.5 |
| ZVR07D511KL835A0  | 510 | 320 | 430 | 845 | 10  | 1250 | 800  | 8±1  | 6.0 | 5.0 | 0.78 | 3.5±0.5 |
| ZVR07D560KJ6B5A0  | 56  | 35  | 45  | 110 | 2.5 | 250  | 125  | 8±1  | 4.4 | 5.0 | 0.55 | 25min   |
| ZVR07D561KK6V7A0  | 560 | 356 | 468 | 925 | 10  | 1250 | 800  | 8±1  | 6.2 | 7.5 | 0.55 | V 型编带   |
| ZVR07D561KL655A0  | 560 | 356 | 468 | 925 | 10  | 1250 | 800  | 8±1  | 6.2 | 5.0 | 0.55 | 5.0±0.5 |
| ZVR07D561KP6F5A0  | 560 | 356 | 468 | 925 | 10  | 1250 | 800  | 8±1  | 6.2 | 5.0 | 0.55 | F 型编带   |
| ZVR10D241KK6V7A0  | 240 | 150 | 200 | 395 | 25  | 2500 | 1750 | 11±1 | 4.8 | 7.5 | 0.55 | V 型编带   |
| ZVR10D241KL638A0  | 240 | 150 | 200 | 395 | 25  | 2500 | 1750 | 11±1 | 4.8 | 8   | 0.55 | 3.5±0.5 |
| ZVR10D271KL8V7A0  | 270 | 175 | 225 | 455 | 25  | 2500 | 1750 | 11±1 | 5.1 | 7.5 | 0.78 | V 型编带   |
| ZVR10D361KL837A0  | 360 | 230 | 300 | 595 | 25  | 2500 | 1750 | 11±1 | 5.7 | 7.5 | 0.78 | 3.5±0.5 |
| ZVR10D391KL7B7A0  | 390 | 250 | 320 | 650 | 25  | 2500 | 1750 | 11±1 | 5.8 | 7.5 | 0.65 | 25min   |
| ZVR10D391KL837A0  | 390 | 250 | 320 | 650 | 25  | 2500 | 1750 | 11±1 | 5.8 | 7.5 | 0.78 | 3.5±0.5 |
| ZVR10D391KL8B7A0  | 390 | 250 | 320 | 650 | 25  | 2500 | 1750 | 11±1 | 5.8 | 7.5 | 0.78 | 25min   |
| ZVR10D391KP857A0  | 390 | 250 | 320 | 650 | 25  | 2500 | 1750 | 11±1 | 5.8 | 7.5 | 0.78 | 5.0±0.5 |
| ZVR10D431KL837A0  | 430 | 275 | 350 | 710 | 25  | 2500 | 1750 | 11±1 | 5.9 | 7.5 | 0.78 | 3.5±0.5 |
| ZVR10D431KL837A0J | 430 | 275 | 350 | 710 | 25  | 3500 | 2500 | 11±1 | 5.9 | 7.5 | 0.78 | 3.5±0.5 |
| ZVR10D471KK837A0  | 470 | 300 | 385 | 775 | 25  | 2500 | 1750 | 11±1 | 6.0 | 7.5 | 0.78 | 3.5±0.5 |
| ZVR10D471KK837F1  | 470 | 300 | 385 | 775 | 25  | 2500 | 1750 | 11±1 | 6.0 | 7.5 | 0.78 | 3.5±0.5 |
| ZVR10D471KK8C7A0G | 470 | 300 | 385 | 775 | 25  | 3500 | 2500 | 13±1 | 6.0 | 7.5 | 0.78 | 3.2±0.3 |
| ZVR10D471KK8U7A0J | 470 | 300 | 385 | 775 | 25  | 3500 | 2500 | 11±1 | 6.0 | 7.5 | 0.78 | U 型编带   |
| ZVR10D471KL6B8A0  | 470 | 300 | 385 | 775 | 25  | 2500 | 1750 | 11±1 | 6.0 | 8   | 0.55 | 25min   |
| ZVR10D471KL82JA0  | 470 | 300 | 385 | 775 | 25  | 2500 | 1750 | 11±1 | 6.0 | 7.5 | 0.78 | 2.8±0.4 |
| ZVR10D471KL837A0  | 470 | 300 | 385 | 775 | 25  | 2500 | 1750 | 11±1 | 6.0 | 7.5 | 0.78 | 3.5±0.5 |
| ZVR10D471KL847A0  | 470 | 300 | 385 | 775 | 25  | 2500 | 1750 | 11±1 | 6.0 | 7.5 | 0.78 | 4.0±0.5 |
| ZVR10D471KL877A0  | 470 | 300 | 385 | 775 | 25  | 2500 | 1750 | 11±1 | 6.0 | 7.5 | 0.78 | 7.0±0.5 |
| ZVR10D471KL87FA0  | 470 | 300 | 385 | 775 | 25  | 2500 | 1750 | 11±1 | 6.0 | 7.7 | 0.78 | 7.0±0.5 |
| ZVR10D471KL8B7A0  | 470 | 300 | 385 | 775 | 25  | 2500 | 1750 | 11±1 | 6.0 | 7.5 | 0.78 | 25min   |
| ZVR10D471KL8C7A0  | 470 | 300 | 385 | 775 | 25  | 2500 | 1750 | 11±1 | 6.0 | 7.5 | 0.78 | 3.2±0.3 |

|                   |     |     |     |      |    |      |      |        |     |     |      |         |
|-------------------|-----|-----|-----|------|----|------|------|--------|-----|-----|------|---------|
| ZVR10D471KL8C7A0G | 470 | 300 | 385 | 775  | 25 | 3500 | 2500 | 13±1   | 6.0 | 7.5 | 0.78 | 3.2±0.3 |
| ZVR10D471KL8U7A0  | 470 | 300 | 385 | 775  | 25 | 2500 | 1750 | 11±1   | 6.0 | 7.5 | 0.78 | U 型编带   |
| ZVR10D471KL8V7A0  | 470 | 300 | 385 | 775  | 25 | 2500 | 1750 | 11±1   | 6.0 | 7.5 | 0.78 | V 型编带   |
| ZVR10D471KP7F5F1  | 470 | 300 | 385 | 775  | 25 | 2500 | 1750 | 11±1   | 6.0 | 5.0 | 0.65 | F 型编带   |
| ZVR10D511KK837A0J | 510 | 320 | 430 | 840  | 25 | 3500 | 2500 | 11±1   | 6.2 | 7.5 | 0.78 | 3.5±0.5 |
| ZVR10D511KL837A0  | 510 | 320 | 430 | 840  | 25 | 2500 | 1750 | 11±1   | 6.2 | 7.5 | 0.78 | 3.5±0.5 |
| ZVR10D511KL8B7A0  | 510 | 320 | 430 | 840  | 25 | 2500 | 1750 | 11±1   | 6.2 | 7.5 | 0.78 | 25min   |
| ZVR10D511KL8B7A0J | 510 | 320 | 430 | 840  | 25 | 3500 | 2500 | 11±1   | 6.2 | 7.5 | 0.78 | 25min   |
| ZVR10D561KK837A0  | 560 | 356 | 468 | 925  | 25 | 2500 | 1750 | 11±1   | 6.4 | 7.5 | 0.78 | 3.5±0.5 |
| ZVR10D561KK837A0J | 560 | 356 | 468 | 925  | 25 | 3500 | 2500 | 11±1   | 6.4 | 7.5 | 0.78 | 3.5±0.5 |
| ZVR10D561KK837F1  | 560 | 356 | 468 | 925  | 25 | 2500 | 1750 | 11±1   | 6.4 | 7.5 | 0.78 | 3.5±0.5 |
| ZVR10D561KK8C7A0G | 560 | 356 | 468 | 925  | 25 | 3500 | 2500 | 13±1   | 6.4 | 7.5 | 0.78 | 3.2±0.3 |
| ZVR10D561KKDV7A0J | 560 | 356 | 468 | 925  | 25 | 3500 | 2500 | 11±1   | 6.4 | 7.5 | 0.78 | V 型编带   |
| ZVR10D561KL638A0  | 560 | 356 | 468 | 925  | 25 | 2500 | 1750 | 11±1   | 6.4 | 8   | 0.55 | 3.5±0.5 |
| ZVR10D561KL648A0  | 560 | 356 | 468 | 925  | 25 | 2500 | 1750 | 11±1   | 6.4 | 8   | 0.55 | 4.0±0.5 |
| ZVR10D561KL827A8J | 560 | 356 | 468 | 925  | 25 | 3500 | 2500 | 11±1   | 6.4 | 7.5 | 0.78 | 2.8±0.4 |
| ZVR10D561KL837A0  | 560 | 356 | 468 | 925  | 25 | 2500 | 1750 | 11±1   | 6.4 | 7.5 | 0.78 | 3.5±0.5 |
| ZVR10D561KL837A0G | 560 | 356 | 468 | 925  | 25 | 3500 | 2500 | 13±1   | 6.4 | 7.5 | 0.78 | 3.5±0.5 |
| ZVR10D561KL837A0J | 560 | 356 | 468 | 925  | 25 | 3500 | 2500 | 11±1   | 6.4 | 7.5 | 0.78 | 3.5±0.5 |
| ZVR10D561KL837E0  | 560 | 356 | 468 | 925  | 25 | 2500 | 1750 | 11±1   | 6.4 | 7.5 | 0.78 | 3.5±0.5 |
| ZVR10D561KL857A0  | 560 | 356 | 468 | 925  | 25 | 2500 | 1750 | 11±1   | 6.4 | 7.5 | 0.78 | 5.0±0.5 |
| ZVR10D561KL8B7A0  | 560 | 356 | 468 | 925  | 25 | 2500 | 1750 | 11±1   | 6.4 | 7.5 | 0.78 | 25min   |
| ZVR10D561KL8C7A0  | 560 | 356 | 468 | 925  | 25 | 2500 | 1750 | 11±1   | 6.4 | 7.5 | 0.78 | 3.2±0.3 |
| ZVR10D561KL8C7A0G | 560 | 356 | 468 | 925  | 25 | 3500 | 2500 | 13±1   | 6.4 | 7.5 | 0.78 | 3.2±0.3 |
| ZVR10D561KL8D7A0  | 560 | 356 | 468 | 925  | 25 | 2500 | 1750 | 11±1   | 6.4 | 7.5 | 0.78 | 3.0±0.5 |
| ZVR10D561KP8V7A0  | 560 | 356 | 468 | 925  | 25 | 2500 | 1750 | 11±1   | 6.4 | 7.5 | 0.78 | V 型编带   |
| ZVR10D621KL837A0  | 620 | 385 | 505 | 1025 | 25 | 2500 | 1750 | 11±1   | 6.6 | 7.5 | 0.78 | 3.5±0.5 |
| ZVR10D621KL8D7A0G | 620 | 385 | 505 | 1025 | 25 | 3500 | 2500 | 13±1   | 6.6 | 7.5 | 0.78 | 3.0±0.5 |
| ZVR10D681KL738A0  | 680 | 420 | 565 | 1120 | 25 | 2500 | 1750 | 11±1   | 6.8 | 8   | 0.65 | 3.5±0.5 |
| ZVR10D681KL837A0  | 680 | 420 | 565 | 1120 | 25 | 2500 | 1750 | 11±1   | 6.8 | 7.5 | 0.78 | 3.5±0.5 |
| ZVR10D681KL8C7A0  | 680 | 420 | 565 | 1120 | 25 | 2500 | 1750 | 11±1   | 6.8 | 7.5 | 0.78 | 3.2±0.3 |
| ZVR10D821KL837A0  | 820 | 510 | 670 | 1355 | 25 | 2500 | 1750 | 11±1   | 7.5 | 7.5 | 0.78 | 3.5±0.5 |
| ZVR14D151KL8B7A0  | 150 | 95  | 125 | 250  | 50 | 4500 | 2500 | 15±1.5 | 4.5 | 7.5 | 0.78 | 25min   |
| ZVR14D241KL8B7A0  | 240 | 150 | 200 | 395  | 50 | 4500 | 2500 | 15±1.5 | 4.8 | 7.5 | 0.78 | 25min   |

|                   |     |     |     |      |    |      |      |        |     |     |      |          |
|-------------------|-----|-----|-----|------|----|------|------|--------|-----|-----|------|----------|
| ZVR14D271KL877A0  | 270 | 175 | 225 | 455  | 50 | 4500 | 2500 | 15±1.5 | 5.1 | 7.5 | 0.78 | 7.0±0.5  |
| ZVR14D471KK837A1  | 470 | 300 | 385 | 775  | 50 | 4500 | 2500 | 15±1.5 | 6.0 | 7.5 | 0.78 | 3.5±0.5  |
| ZVR14D471KK8C7A0J | 470 | 300 | 385 | 775  | 50 | 6000 | 4500 | 15±1.5 | 6.0 | 7.5 | 0.78 | 3.2±0.3  |
| ZVR14D471KK8C7G1  | 470 | 300 | 385 | 775  | 50 | 4500 | 2500 | 15±1.5 | 6.0 | 7.5 | 0.78 | 3.2±0.3  |
| ZVR14D471KL807A0  | 470 | 300 | 385 | 775  | 50 | 4500 | 2500 | 15±1.5 | 6.0 | 7.5 | 0.78 | 10.0±1.0 |
| ZVR14D471KL837A0  | 470 | 300 | 385 | 775  | 50 | 4500 | 2500 | 15±1.5 | 6.0 | 7.5 | 0.78 | 3.5±0.5  |
| ZVR14D471KL847A0  | 470 | 300 | 385 | 775  | 50 | 4500 | 2500 | 15±1.5 | 6.0 | 7.5 | 0.78 | 4.0±0.5  |
| ZVR14D471KL857A0  | 470 | 300 | 385 | 775  | 50 | 4500 | 2500 | 15±1.5 | 6.0 | 7.5 | 0.78 | 5.0±0.5  |
| ZVR14D471KL877A0  | 470 | 300 | 385 | 775  | 50 | 4500 | 2500 | 15±1.5 | 6.0 | 7.5 | 0.78 | 7.0±0.5  |
| ZVR14D471KL8C7A0J | 470 | 300 | 385 | 775  | 50 | 6000 | 4500 | 15±1.5 | 6.0 | 7.5 | 0.78 | 3.2±0.3  |
| ZVR14D511KL837A0  | 510 | 320 | 430 | 840  | 50 | 4500 | 2500 | 15±1.5 | 6.2 | 7.5 | 0.78 | 3.5±0.5  |
| ZVR14D511KL847A0  | 510 | 320 | 430 | 840  | 50 | 4500 | 2500 | 15±1.5 | 6.2 | 7.5 | 0.78 | 4.0±0.5  |
| ZVR14D511KL8B7A0  | 510 | 320 | 430 | 840  | 50 | 4500 | 2500 | 15±1.5 | 6.2 | 7.5 | 0.78 | 25min    |
| ZVR14D561KK837E0  | 560 | 356 | 468 | 925  | 50 | 4500 | 2500 | 15±1.5 | 6.4 | 7.5 | 0.78 | 3.5±0.5  |
| ZVR14D561KK837F1  | 560 | 356 | 468 | 925  | 50 | 4500 | 2500 | 15±1.5 | 6.4 | 7.5 | 0.78 | 3.5±0.5  |
| ZVR14D561KK8C7A0J | 560 | 356 | 468 | 925  | 50 | 6000 | 4500 | 15±1.5 | 6.4 | 7.5 | 0.78 | 3.2±0.3  |
| ZVR14D561KL837A0  | 560 | 356 | 468 | 925  | 50 | 4500 | 2500 | 15±1.5 | 6.4 | 7.5 | 0.78 | 3.5±0.5  |
| ZVR14D561KL837A0J | 560 | 356 | 468 | 925  | 50 | 6000 | 4500 | 15±1.5 | 6.4 | 7.5 | 0.78 | 3.5±0.5  |
| ZVR14D561KL837E0  | 560 | 356 | 468 | 925  | 50 | 4500 | 2500 | 15±1.5 | 6.4 | 7.5 | 0.78 | 3.5±0.5  |
| ZVR14D561KL887A0  | 560 | 356 | 468 | 925  | 50 | 4500 | 2500 | 15±1.5 | 6.4 | 7.5 | 0.78 | 8.0±1.0  |
| ZVR14D561KL8C7A0J | 560 | 356 | 468 | 925  | 50 | 6000 | 4500 | 15±1.5 | 6.4 | 7.5 | 0.78 | 3.2±0.3  |
| ZVR14D621KB837FB  | 620 | 385 | 505 | 1025 | 50 | 4500 | 2500 | 15±1.5 | 6.6 | 7.5 | 0.78 | 3.5±0.5  |
| ZVR14D621KB837GB  | 620 | 385 | 505 | 1025 | 50 | 4500 | 2500 | 15±1.5 | 6.6 | 7.5 | 0.78 | 3.5±0.5  |
| ZVR14D621KK7Y7F1  | 620 | 385 | 505 | 1025 | 50 | 4500 | 2500 | 15±1.5 | 6.6 | 7.5 | 0.65 | Y型编带     |
| ZVR14D621KK837FB  | 620 | 385 | 505 | 1025 | 50 | 4500 | 2500 | 15±1.5 | 6.6 | 7.5 | 0.78 | 3.5±0.5  |
| ZVR14D621KK837GB  | 620 | 385 | 505 | 1025 | 50 | 4500 | 2500 | 15±1.5 | 6.6 | 7.5 | 0.78 | 3.5±0.5  |
| ZVR14D621KK8C8FB  | 620 | 385 | 505 | 1025 | 50 | 4500 | 2500 | 15±1.5 | 6.6 | 8   | 0.78 | 3.2±0.3  |
| ZVR14D681KB837A0J | 680 | 420 | 565 | 1120 | 50 | 6000 | 4500 | 15±1.5 | 6.8 | 7.5 | 0.78 | 3.5±0.5  |
| ZVR14D681KK837A0  | 680 | 420 | 565 | 1120 | 50 | 4500 | 2500 | 15±1.5 | 6.8 | 7.5 | 0.78 | 3.5±0.5  |
| ZVR14D681KK837E0  | 680 | 420 | 565 | 1120 | 50 | 4500 | 2500 | 15±1.5 | 6.8 | 7.5 | 0.78 | 3.5±0.5  |
| ZVR14D681KK837G1  | 680 | 420 | 565 | 1120 | 50 | 4500 | 2500 | 15±1.5 | 6.8 | 7.5 | 0.78 | 3.5±0.5  |
| ZVR14D681KL837A0J | 680 | 420 | 565 | 1120 | 50 | 6000 | 4500 | 15±1.5 | 6.8 | 7.5 | 0.78 | 3.5±0.5  |
| ZVR14D681KL8J7A0  | 680 | 420 | 565 | 1120 | 50 | 4500 | 2500 | 15±1.5 | 6.8 | 7.5 | 0.78 | 4.5±0.5  |
| ZVR14D681KT837G1  | 680 | 420 | 565 | 1120 | 50 | 4500 | 2500 | 15±1.5 | 6.8 | 7.5 | 0.78 | 3.5±0.5  |

|                  |     |     |     |      |     |      |      |        |     |     |      |         |
|------------------|-----|-----|-----|------|-----|------|------|--------|-----|-----|------|---------|
| ZVR14D751KB837F1 | 750 | 460 | 615 | 1240 | 50  | 4500 | 2500 | 15±1.5 | 7.0 | 7.5 | 0.78 | 3.5±0.5 |
| ZVR14D751KF837G1 | 750 | 460 | 615 | 1240 | 50  | 4500 | 2500 | 15±1.5 | 7.0 | 7.5 | 0.78 | 3.5±0.5 |
| ZVR14D751KK837F1 | 750 | 460 | 615 | 1240 | 50  | 4500 | 2500 | 15±1.5 | 7.0 | 7.5 | 0.78 | 3.5±0.5 |
| ZVR14D751KK837G1 | 750 | 460 | 615 | 1240 | 50  | 4500 | 2500 | 15±1.5 | 7.0 | 7.5 | 0.78 | 3.5±0.5 |
| ZVR14D751KK8C7G1 | 750 | 460 | 615 | 1240 | 50  | 4500 | 2500 | 15±1.5 | 7.0 | 7.5 | 0.78 | 3.2±0.3 |
| ZVR14D751KT8C7F1 | 750 | 460 | 615 | 1240 | 50  | 4500 | 2500 | 15±1.5 | 7.0 | 7.5 | 0.78 | 3.2±0.3 |
| ZVR14D751KT8C7G1 | 750 | 460 | 615 | 1240 | 50  | 4500 | 2500 | 15±1.5 | 7.0 | 7.5 | 0.78 | 3.2±0.3 |
| ZVR20D431KK830A0 | 430 | 275 | 350 | 710  | 100 | 6500 | 4000 | 21±1.5 | 6.4 | 10  | 0.78 | 3.5±0.5 |
| ZVR20D751KL8B0A0 | 750 | 460 | 615 | 1240 | 100 | 6500 | 4000 | 21±1.5 | 7.3 | 10  | 0.78 | 25min   |

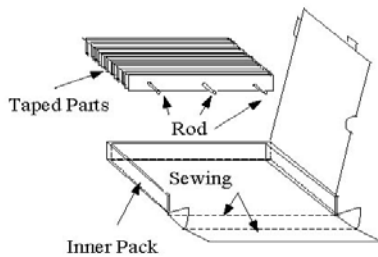
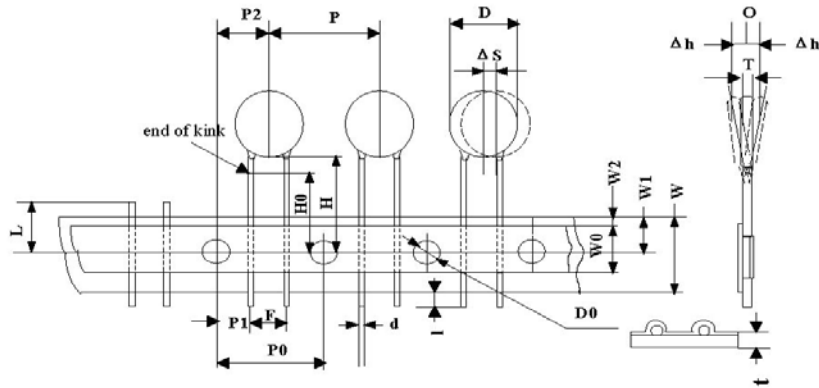
## 标志 Marking

例如 e.g

| 正面 front   | 背面 back   |
|--|---|
|  |  |

# 编带样式 Taping style

## TAPING STYLE F



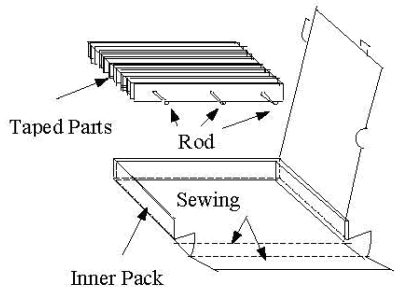
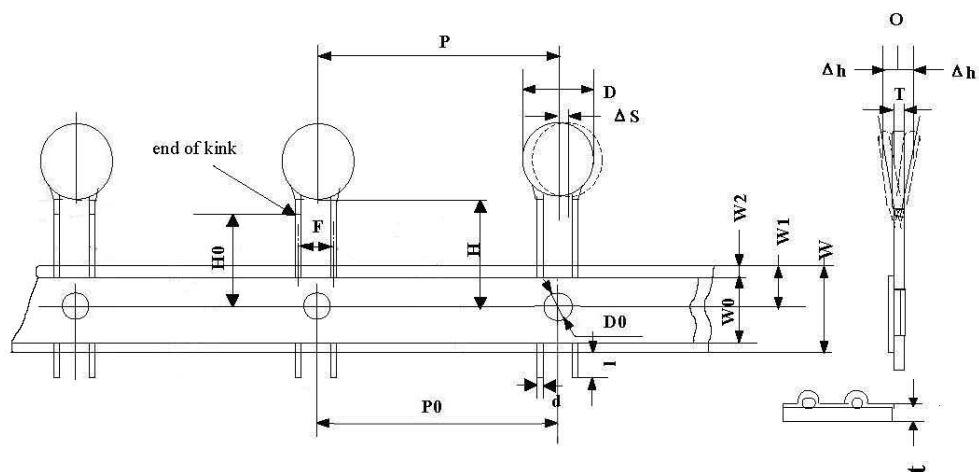
- 1.\* For lead styles of inside kink and outside kink only
2. The lead sharp shall change with lead style.

| Symbol | Dimension(mm)                   |
|--------|---------------------------------|
| P0     | 12.7±0.2                        |
| P      | 12.7±1.0                        |
| F      | 5.0±0.5                         |
| P1     | 3.85±0.4                        |
| P2     | 6.35±0.4                        |
| H0     | 16.0±0.5*                       |
| H      | 20.0±0.5                        |
| W      | 18.0±0.5                        |
| W0     | 8.0min.                         |
| W1     | 9.0±0.3                         |
| W2     | 3.0max.                         |
| t      | 0.7±0.2                         |
| D      | To comply with individual sheet |
| D0     | 4±0.2                           |
| d      | To comply with individual sheet |
| l      | 2.0max.                         |
| L      | 11max.                          |
| T      | To comply with individual sheet |
| Δ S    | 0.5max.                         |
| Δ h    | 0.5max.                         |

Figure 2



## TAPING STYLE V



| Symbol    | Dimension(mm)                   |
|-----------|---------------------------------|
| <b>P0</b> | <b>15.0±0.2</b>                 |
| <b>P</b>  | <b>15.0±1.0</b>                 |
| <b>F</b>  | <b>10.0±0.5</b>                 |
| <b>P1</b> |                                 |
| <b>P2</b> |                                 |
| <b>H0</b> | <b>16.0±0.5*1</b>               |
| <b>H</b>  | <b>20.0±0.5*2</b>               |
| <b>W</b>  | <b>18.0±0.5</b>                 |
| <b>W0</b> | <b>8.0min.</b>                  |
| <b>W1</b> | <b>9.0±0.3</b>                  |
| <b>W2</b> | <b>3.0max.</b>                  |
| <b>t</b>  | <b>0.7±0.2</b>                  |
| <b>D</b>  | To comply with individual sheet |
| <b>D0</b> | <b>4±0.2</b>                    |
| <b>d</b>  | To comply with individual sheet |
| <b>l</b>  | <b>2.0max.</b>                  |
| <b>T</b>  | To comply with individual sheet |
| <b>ΔS</b> | <b>1.0 max.</b>                 |
| <b>Δh</b> | <b>1.0 max.</b>                 |

1. \*1 打弯脚型以H0为准。

For kink lead only.

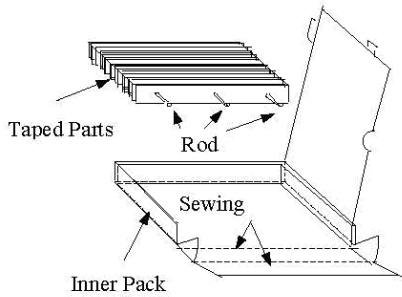
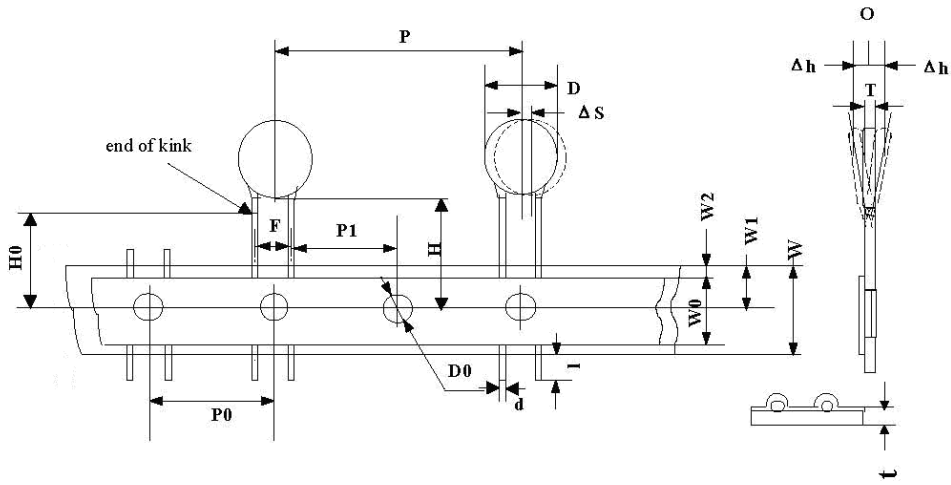
2. \*2 直脚产品以H为准。

For straight lead only.

**Figure 3**



# TAPING STYLE U



| Symbol     | Dimension(mm)                   |
|------------|---------------------------------|
| <b>P0</b>  | <b>12.7±0.2</b>                 |
| <b>P</b>   | <b>25.4±1.0</b>                 |
| <b>F</b>   | <b>10.0±0.5</b>                 |
| <b>P1</b>  | <b>7.7±0.4</b>                  |
| <b>P2</b>  |                                 |
| <b>H0</b>  | <b>16.0±0.5*1</b>               |
| <b>H</b>   | <b>20.0±0.5*2</b>               |
| <b>W</b>   | <b>18.0±0.5</b>                 |
| <b>W0</b>  | <b>8.0min.</b>                  |
| <b>W1</b>  | <b>9.0±0.3</b>                  |
| <b>W2</b>  | <b>3.0max.</b>                  |
| <b>t</b>   | <b>0.7±0.2</b>                  |
| <b>D</b>   | To comply with individual sheet |
| <b>D0</b>  | <b>4±0.2</b>                    |
| <b>d</b>   | To comply with individual sheet |
| <b>l</b>   | <b>2.0max.</b>                  |
| <b>T</b>   | To comply with individual sheet |
| $\Delta S$ | <b>1.0 max.</b>                 |
| $\Delta h$ | <b>1.0 max.</b>                 |

1. \*1 打弯脚型以H0为准。

For kink lead only.

2. \*2 直脚产品以H为准。

For straight lead only.

**Figure 6**

## X-ON Electronics

Largest Supplier of Electrical and Electronic Components

*Click to view similar products for [Varistors](#) category:*

*Click to view products by [South HongMing](#) manufacturer:*

Other Similar products are found below :

[R71ZOV151HC](#) [B72205S271K111](#) [B72214S110K151](#) [B72214S251K151](#) [B72540E250K62](#) [NTE1V020](#) [NTE1V130](#) [25FN511K](#)  
[S10K11G5S5](#) [ERZ-C14DK361U](#) [ERZ-C20DK221U](#) [ERZ-C32CK201B](#) [207869-1](#) [AS-13](#) [B72214S200K551](#) [B72280B112K1](#) [B72540E](#)  
[350K 62](#) [B72590D360A60](#) [B72650M301K93](#) [B72670M1140K72](#) [TVZ18EC271KBS](#) [TVZ20EB911KBS](#) [TVZ25D201KBS](#) [TVZ25D241KBS](#)  
[VDRH20X230BSE](#) [VZ07D220KBS](#) [VZ40D241KQ-N](#) [VZ40D241K](#) [VZ25D511KBS-N](#) [VZ20E511KBSX](#) [VZ20E221KBSX](#)  
[VZ10D471KBS-N](#) [ERZ-V20R221](#) [20A9FN241K](#) [B72205S350K211](#) [B72214S110K551](#) [B72510E140K62](#) [B72650M350K72](#)  
[TVZ25DN271KBS](#) [TVZ25D301KBS](#) [TVZ20EC911KBS](#) [TVZ20EBN911KBS](#) [TVZ18EC471KBS](#) [B72220S350K101](#) [B72540E300K62](#)  
[TND10V-271KB00AAA0](#) [NTE1V030](#) [NTE1V275](#) [NTE2V015](#) [NTE2V035](#)