

压敏电阻器 Zinc oxide varistors




特性 Feature

- 电压范围 Wide operation voltage range from 18V to 1800V
- 工作温度 Operating Temperature: -40°C~125°C
- 存储温度 Storage Temperature: -10°C~40°C

应用 Applications

氧化锌压敏电阻器广泛应用于电子电器设备的瞬时过电压保护和浪涌吸收。
Zinc oxide varistor is widely used in the instantaneous overvoltage protection and surge absorption of Electronic-electrical equipment.

使用标准Applicable Standard

| 通过认证 APPROVAL | 认证组织 ORGANIZATION | 标准. SAFTY STANDARDS | 证书 CERTIFICATE NO. |
|---|----------------------|--|-----------------------|
|  | UL CUL | UL1449 | E321851 |
|  | VDE | DIN EN 61051-1:2009 IEC 61051-1:2007 IEC 61051-2:1991 IEC 61051-2(ed.1);am1:2009-05 IEC 61051-2-2:1991 | 40027789 |
|  | CQC | GB/T10193-1997 GB/T10194-1997 GB4943.1-2011 GB8898-2011 | CQC05001012670 |

产品型号Part Number

产品型号 Part No.: **ZVR 07 D 471 K L 6 3 5** □

产品尺寸 Size code:

| 代号 Code | 芯片直径 disc diameter | 产品直径(D) product diameter |
|---------|--------------------|--------------------------|
| 05 | 5mm±0.5mm | 6mm±1mm |
| 07 | 7mm±0.5mm | 8mm±1mm |
| 10 | 10mm±0.5mm | 11mm±1.5mm |
| 14 | 14mm±0.5mm | 15mm±1.5mm |
| 20 | 20mm±0.5mm | 21mm±1.5mm |

产品类别代码 Shape code: D: 圆片通用型产品
D: disc for general

称压敏电压 varistor voltage: 471=47x10¹

For example:
180=18x10⁰ 471=47x10¹ 102=10x10²

内部管理代码: internal manage code

引线间距 lead space:
5=5.0±0.5mm 7=7.5±0.5mm 0=10.0±0.5mm

引线长度/包装方法 lead length/package:
3=3.5±0.5mm B= min. 25mm C=5.0±0.3mm
F=12.7mm 编带/扇折,

引线直径 lead diameter:
CP 线:
6=0.58±0.04mm 8=0.78±0.05mm
0=1.00±0.08mm

引线形状代码 lead style:
L 型 见引线形状 see the lead style

压敏电压允许偏差
Varistor voltage tolerance:
J=±5% K=±10% M=±20%

脚型 Lead style

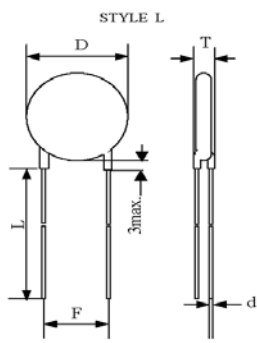


Figure 1-2

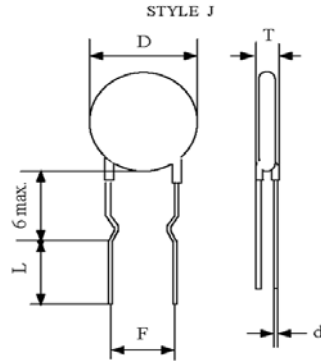


Figure 1-3

规格 Specification

| SHM 产品代码 SHM Part no. | 压敏电压 Varistor Voltage (V) | 最大允许工作电压 Maximum Operating Voltage | | 最大限制电压 Maximum Clamping Voltage | | 最大峰值电流 Maximum Peak current 8/20 μ s Ip (A) | | 产品尺寸 dimensions (mm) | | | | |
|--------------------------|------------------------------------|---|--------|--|--------|--|--------|----------------------|--------------|------------|-------------|-----------------|
| | | AC (V) | DC (V) | VC (V) | Ip (A) | 1 Time | 2 Time | 直径 D (mm) | 厚度 Tmax (mm) | 引线间距 F(mm) | 引线直径 d (mm) | 引线长度 L(mm)/编带方式 |
| ZVR05D471KK6F5A0 | 470 | 300 | 380 | 810 | 5 | 400 | 200 | 6 \pm 1 | 5.8 | 5.0 | 0.55 | F 型编带 |
| ZVR07D201KL695A0 | 200 | 130 | 170 | 340 | 10 | 1250 | 800 | 8 \pm 1 | 4.1 | 5.0 | 0.55 | 9.0 \pm 1.0 |
| ZVR07D241KK6F5A0 | 240 | 150 | 200 | 395 | 10 | 1250 | 800 | 8 \pm 1 | 4.4 | 5.0 | 0.55 | F 型编带 |
| ZVR07D241KL6C5A0 | 240 | 150 | 200 | 395 | 10 | 1250 | 800 | 8 \pm 1 | 4.4 | 5.0 | 0.55 | 3.2 \pm 0.3 |
| ZVR07D271KK6F5A0 | 270 | 175 | 225 | 455 | 10 | 1250 | 800 | 8 \pm 1 | 4.6 | 5.0 | 0.55 | F 型编带 |
| ZVR07D271KL6C5A0 | 270 | 175 | 225 | 455 | 10 | 1250 | 800 | 8 \pm 1 | 4.6 | 5.0 | 0.55 | 3.2 \pm 0.3 |
| ZVR07D331KL635A0 | 330 | 210 | 276 | 572 | 10 | 1250 | 800 | 8 \pm 1 | 5.0 | 5.0 | 0.55 | 3.5 \pm 0.5 |
| ZVR07D391KK6F5F1 | 390 | 250 | 320 | 650 | 10 | 1250 | 800 | 8 \pm 1 | 5.4 | 5.0 | 0.55 | F 型编带 |
| ZVR07D431KL6F5A0 | 430 | 275 | 350 | 710 | 10 | 1250 | 800 | 8 \pm 1 | 5.6 | 5.0 | 0.55 | F 型编带 |
| ZVR07D431KL6F5F1 | 430 | 275 | 350 | 710 | 10 | 1250 | 800 | 8 \pm 1 | 5.6 | 5.0 | 0.55 | F 型编带 |
| ZVR07D431KP635A0J | 430 | 275 | 350 | 710 | 10 | 1750 | 1250 | 8 \pm 1 | 5.6 | 5.0 | 0.55 | 3.5 \pm 0.5 |
| ZVR07D431KP6F5A0 | 430 | 275 | 350 | 710 | 10 | 1250 | 800 | 8 \pm 1 | 5.6 | 5.0 | 0.55 | F 型编带 |
| ZVR07D431KP6F5A0J | 430 | 275 | 350 | 710 | 10 | 1750 | 1250 | 8 \pm 1 | 5.6 | 5.0 | 0.55 | F 型编带 |
| ZVR07D470KK6F5A0 | 47 | 30 | 38 | 93 | 2.5 | 250 | 125 | 8 \pm 1 | 4.3 | 5.0 | 0.55 | F 型编带 |
| ZVR07D471KK635A0 | 470 | 300 | 385 | 775 | 10 | 1250 | 800 | 8 \pm 1 | 5.8 | 5.0 | 0.55 | 3.5 \pm 0.5 |
| ZVR07D471KK6F5F1 | 470 | 300 | 385 | 775 | 10 | 1250 | 800 | 8 \pm 1 | 5.8 | 5.0 | 0.55 | F 型编带 |
| ZVR07D471KL645A0 | 470 | 300 | 385 | 775 | 10 | 1250 | 800 | 8 \pm 1 | 5.8 | 5.0 | 0.55 | 4.0 \pm 0.5 |
| ZVR07D471KL6B5A0 | 470 | 300 | 385 | 775 | 10 | 1250 | 800 | 8 \pm 1 | 5.8 | 5.0 | 0.55 | 25min |
| ZVR07D471KL6C5A0 | 470 | 300 | 385 | 775 | 10 | 1250 | 800 | 8 \pm 1 | 5.8 | 5.0 | 0.55 | 3.2 \pm 0.3 |

| | | | | | | | | | | | | |
|-------------------|-----|-----|-----|-----|-----|------|------|------|-----|-----|------|---------|
| ZVR07D471KL6F5A0 | 470 | 300 | 385 | 775 | 10 | 1250 | 800 | 8±1 | 5.8 | 5.0 | 0.55 | F 型编带 |
| ZVR07D471KL6F5F1 | 470 | 300 | 385 | 775 | 10 | 1250 | 800 | 8±1 | 5.8 | 5.0 | 0.55 | F 型编带 |
| ZVR07D471KP6F5A0 | 470 | 300 | 385 | 775 | 10 | 1250 | 800 | 8±1 | 5.8 | 5.0 | 0.55 | F 型编带 |
| ZVR07D511KJ6F5A0 | 510 | 320 | 430 | 845 | 10 | 1250 | 800 | 8±1 | 6.0 | 5.0 | 0.55 | F 型编带 |
| ZVR07D511KK6F5A0 | 510 | 320 | 430 | 845 | 10 | 1250 | 800 | 8±1 | 6.0 | 5.0 | 0.55 | F 型编带 |
| ZVR07D511KL635A0 | 510 | 320 | 430 | 845 | 10 | 1250 | 800 | 8±1 | 6.0 | 5.0 | 0.55 | 3.5±0.5 |
| ZVR07D511KL645A0 | 510 | 320 | 430 | 845 | 10 | 1250 | 800 | 8±1 | 6.0 | 5.0 | 0.55 | 4.0±0.5 |
| ZVR07D511KL835A0 | 510 | 320 | 430 | 845 | 10 | 1250 | 800 | 8±1 | 6.0 | 5.0 | 0.78 | 3.5±0.5 |
| ZVR07D560KJ6B5A0 | 56 | 35 | 45 | 110 | 2.5 | 250 | 125 | 8±1 | 4.4 | 5.0 | 0.55 | 25min |
| ZVR07D561KK6V7A0 | 560 | 356 | 468 | 925 | 10 | 1250 | 800 | 8±1 | 6.2 | 7.5 | 0.55 | V 型编带 |
| ZVR07D561KL655A0 | 560 | 356 | 468 | 925 | 10 | 1250 | 800 | 8±1 | 6.2 | 5.0 | 0.55 | 5.0±0.5 |
| ZVR07D561KP6F5A0 | 560 | 356 | 468 | 925 | 10 | 1250 | 800 | 8±1 | 6.2 | 5.0 | 0.55 | F 型编带 |
| ZVR10D241KK6V7A0 | 240 | 150 | 200 | 395 | 25 | 2500 | 1750 | 11±1 | 4.8 | 7.5 | 0.55 | V 型编带 |
| ZVR10D241KL638A0 | 240 | 150 | 200 | 395 | 25 | 2500 | 1750 | 11±1 | 4.8 | 8 | 0.55 | 3.5±0.5 |
| ZVR10D271KL8V7A0 | 270 | 175 | 225 | 455 | 25 | 2500 | 1750 | 11±1 | 5.1 | 7.5 | 0.78 | V 型编带 |
| ZVR10D361KL837A0 | 360 | 230 | 300 | 595 | 25 | 2500 | 1750 | 11±1 | 5.7 | 7.5 | 0.78 | 3.5±0.5 |
| ZVR10D391KL7B7A0 | 390 | 250 | 320 | 650 | 25 | 2500 | 1750 | 11±1 | 5.8 | 7.5 | 0.65 | 25min |
| ZVR10D391KL837A0 | 390 | 250 | 320 | 650 | 25 | 2500 | 1750 | 11±1 | 5.8 | 7.5 | 0.78 | 3.5±0.5 |
| ZVR10D391KL8B7A0 | 390 | 250 | 320 | 650 | 25 | 2500 | 1750 | 11±1 | 5.8 | 7.5 | 0.78 | 25min |
| ZVR10D391KP857A0 | 390 | 250 | 320 | 650 | 25 | 2500 | 1750 | 11±1 | 5.8 | 7.5 | 0.78 | 5.0±0.5 |
| ZVR10D431KL837A0 | 430 | 275 | 350 | 710 | 25 | 2500 | 1750 | 11±1 | 5.9 | 7.5 | 0.78 | 3.5±0.5 |
| ZVR10D431KL837A0J | 430 | 275 | 350 | 710 | 25 | 3500 | 2500 | 11±1 | 5.9 | 7.5 | 0.78 | 3.5±0.5 |
| ZVR10D471KK837A0 | 470 | 300 | 385 | 775 | 25 | 2500 | 1750 | 11±1 | 6.0 | 7.5 | 0.78 | 3.5±0.5 |
| ZVR10D471KK837F1 | 470 | 300 | 385 | 775 | 25 | 2500 | 1750 | 11±1 | 6.0 | 7.5 | 0.78 | 3.5±0.5 |
| ZVR10D471KK8C7A0G | 470 | 300 | 385 | 775 | 25 | 3500 | 2500 | 13±1 | 6.0 | 7.5 | 0.78 | 3.2±0.3 |
| ZVR10D471KK8U7A0J | 470 | 300 | 385 | 775 | 25 | 3500 | 2500 | 11±1 | 6.0 | 7.5 | 0.78 | U 型编带 |
| ZVR10D471KL6B8A0 | 470 | 300 | 385 | 775 | 25 | 2500 | 1750 | 11±1 | 6.0 | 8 | 0.55 | 25min |
| ZVR10D471KL82JA0 | 470 | 300 | 385 | 775 | 25 | 2500 | 1750 | 11±1 | 6.0 | 7.5 | 0.78 | 2.8±0.4 |
| ZVR10D471KL837A0 | 470 | 300 | 385 | 775 | 25 | 2500 | 1750 | 11±1 | 6.0 | 7.5 | 0.78 | 3.5±0.5 |
| ZVR10D471KL847A0 | 470 | 300 | 385 | 775 | 25 | 2500 | 1750 | 11±1 | 6.0 | 7.5 | 0.78 | 4.0±0.5 |
| ZVR10D471KL877A0 | 470 | 300 | 385 | 775 | 25 | 2500 | 1750 | 11±1 | 6.0 | 7.5 | 0.78 | 7.0±0.5 |
| ZVR10D471KL87FA0 | 470 | 300 | 385 | 775 | 25 | 2500 | 1750 | 11±1 | 6.0 | 7.7 | 0.78 | 7.0±0.5 |
| ZVR10D471KL8B7A0 | 470 | 300 | 385 | 775 | 25 | 2500 | 1750 | 11±1 | 6.0 | 7.5 | 0.78 | 25min |
| ZVR10D471KL8C7A0 | 470 | 300 | 385 | 775 | 25 | 2500 | 1750 | 11±1 | 6.0 | 7.5 | 0.78 | 3.2±0.3 |

| | | | | | | | | | | | | |
|-------------------|-----|-----|-----|------|----|------|------|--------|-----|-----|------|---------|
| ZVR10D471KL8C7A0G | 470 | 300 | 385 | 775 | 25 | 3500 | 2500 | 13±1 | 6.0 | 7.5 | 0.78 | 3.2±0.3 |
| ZVR10D471KL8U7A0 | 470 | 300 | 385 | 775 | 25 | 2500 | 1750 | 11±1 | 6.0 | 7.5 | 0.78 | U 型编带 |
| ZVR10D471KL8V7A0 | 470 | 300 | 385 | 775 | 25 | 2500 | 1750 | 11±1 | 6.0 | 7.5 | 0.78 | V 型编带 |
| ZVR10D471KP7F5F1 | 470 | 300 | 385 | 775 | 25 | 2500 | 1750 | 11±1 | 6.0 | 5.0 | 0.65 | F 型编带 |
| ZVR10D511KK837A0J | 510 | 320 | 430 | 840 | 25 | 3500 | 2500 | 11±1 | 6.2 | 7.5 | 0.78 | 3.5±0.5 |
| ZVR10D511KL837A0 | 510 | 320 | 430 | 840 | 25 | 2500 | 1750 | 11±1 | 6.2 | 7.5 | 0.78 | 3.5±0.5 |
| ZVR10D511KL8B7A0 | 510 | 320 | 430 | 840 | 25 | 2500 | 1750 | 11±1 | 6.2 | 7.5 | 0.78 | 25min |
| ZVR10D511KL8B7A0J | 510 | 320 | 430 | 840 | 25 | 3500 | 2500 | 11±1 | 6.2 | 7.5 | 0.78 | 25min |
| ZVR10D561KK837A0 | 560 | 356 | 468 | 925 | 25 | 2500 | 1750 | 11±1 | 6.4 | 7.5 | 0.78 | 3.5±0.5 |
| ZVR10D561KK837A0J | 560 | 356 | 468 | 925 | 25 | 3500 | 2500 | 11±1 | 6.4 | 7.5 | 0.78 | 3.5±0.5 |
| ZVR10D561KK837F1 | 560 | 356 | 468 | 925 | 25 | 2500 | 1750 | 11±1 | 6.4 | 7.5 | 0.78 | 3.5±0.5 |
| ZVR10D561KK8C7A0G | 560 | 356 | 468 | 925 | 25 | 3500 | 2500 | 13±1 | 6.4 | 7.5 | 0.78 | 3.2±0.3 |
| ZVR10D561KKDV7A0J | 560 | 356 | 468 | 925 | 25 | 3500 | 2500 | 11±1 | 6.4 | 7.5 | 0.78 | V 型编带 |
| ZVR10D561KL638A0 | 560 | 356 | 468 | 925 | 25 | 2500 | 1750 | 11±1 | 6.4 | 8 | 0.55 | 3.5±0.5 |
| ZVR10D561KL648A0 | 560 | 356 | 468 | 925 | 25 | 2500 | 1750 | 11±1 | 6.4 | 8 | 0.55 | 4.0±0.5 |
| ZVR10D561KL827A8J | 560 | 356 | 468 | 925 | 25 | 3500 | 2500 | 11±1 | 6.4 | 7.5 | 0.78 | 2.8±0.4 |
| ZVR10D561KL837A0 | 560 | 356 | 468 | 925 | 25 | 2500 | 1750 | 11±1 | 6.4 | 7.5 | 0.78 | 3.5±0.5 |
| ZVR10D561KL837A0G | 560 | 356 | 468 | 925 | 25 | 3500 | 2500 | 13±1 | 6.4 | 7.5 | 0.78 | 3.5±0.5 |
| ZVR10D561KL837A0J | 560 | 356 | 468 | 925 | 25 | 3500 | 2500 | 11±1 | 6.4 | 7.5 | 0.78 | 3.5±0.5 |
| ZVR10D561KL837E0 | 560 | 356 | 468 | 925 | 25 | 2500 | 1750 | 11±1 | 6.4 | 7.5 | 0.78 | 3.5±0.5 |
| ZVR10D561KL857A0 | 560 | 356 | 468 | 925 | 25 | 2500 | 1750 | 11±1 | 6.4 | 7.5 | 0.78 | 5.0±0.5 |
| ZVR10D561KL8B7A0 | 560 | 356 | 468 | 925 | 25 | 2500 | 1750 | 11±1 | 6.4 | 7.5 | 0.78 | 25min |
| ZVR10D561KL8C7A0 | 560 | 356 | 468 | 925 | 25 | 2500 | 1750 | 11±1 | 6.4 | 7.5 | 0.78 | 3.2±0.3 |
| ZVR10D561KL8C7A0G | 560 | 356 | 468 | 925 | 25 | 3500 | 2500 | 13±1 | 6.4 | 7.5 | 0.78 | 3.2±0.3 |
| ZVR10D561KL8D7A0 | 560 | 356 | 468 | 925 | 25 | 2500 | 1750 | 11±1 | 6.4 | 7.5 | 0.78 | 3.0±0.5 |
| ZVR10D561KP8V7A0 | 560 | 356 | 468 | 925 | 25 | 2500 | 1750 | 11±1 | 6.4 | 7.5 | 0.78 | V 型编带 |
| ZVR10D621KL837A0 | 620 | 385 | 505 | 1025 | 25 | 2500 | 1750 | 11±1 | 6.6 | 7.5 | 0.78 | 3.5±0.5 |
| ZVR10D621KL8D7A0G | 620 | 385 | 505 | 1025 | 25 | 3500 | 2500 | 13±1 | 6.6 | 7.5 | 0.78 | 3.0±0.5 |
| ZVR10D681KL738A0 | 680 | 420 | 565 | 1120 | 25 | 2500 | 1750 | 11±1 | 6.8 | 8 | 0.65 | 3.5±0.5 |
| ZVR10D681KL837A0 | 680 | 420 | 565 | 1120 | 25 | 2500 | 1750 | 11±1 | 6.8 | 7.5 | 0.78 | 3.5±0.5 |
| ZVR10D681KL8C7A0 | 680 | 420 | 565 | 1120 | 25 | 2500 | 1750 | 11±1 | 6.8 | 7.5 | 0.78 | 3.2±0.3 |
| ZVR10D821KL837A0 | 820 | 510 | 670 | 1355 | 25 | 2500 | 1750 | 11±1 | 7.5 | 7.5 | 0.78 | 3.5±0.5 |
| ZVR14D151KL8B7A0 | 150 | 95 | 125 | 250 | 50 | 4500 | 2500 | 15±1.5 | 4.5 | 7.5 | 0.78 | 25min |
| ZVR14D241KL8B7A0 | 240 | 150 | 200 | 395 | 50 | 4500 | 2500 | 15±1.5 | 4.8 | 7.5 | 0.78 | 25min |

| | | | | | | | | | | | | |
|-------------------|-----|-----|-----|------|----|------|------|--------|-----|-----|------|----------|
| ZVR14D271KL877A0 | 270 | 175 | 225 | 455 | 50 | 4500 | 2500 | 15±1.5 | 5.1 | 7.5 | 0.78 | 7.0±0.5 |
| ZVR14D471KK837A1 | 470 | 300 | 385 | 775 | 50 | 4500 | 2500 | 15±1.5 | 6.0 | 7.5 | 0.78 | 3.5±0.5 |
| ZVR14D471KK8C7A0J | 470 | 300 | 385 | 775 | 50 | 6000 | 4500 | 15±1.5 | 6.0 | 7.5 | 0.78 | 3.2±0.3 |
| ZVR14D471KK8C7G1 | 470 | 300 | 385 | 775 | 50 | 4500 | 2500 | 15±1.5 | 6.0 | 7.5 | 0.78 | 3.2±0.3 |
| ZVR14D471KL807A0 | 470 | 300 | 385 | 775 | 50 | 4500 | 2500 | 15±1.5 | 6.0 | 7.5 | 0.78 | 10.0±1.0 |
| ZVR14D471KL837A0 | 470 | 300 | 385 | 775 | 50 | 4500 | 2500 | 15±1.5 | 6.0 | 7.5 | 0.78 | 3.5±0.5 |
| ZVR14D471KL847A0 | 470 | 300 | 385 | 775 | 50 | 4500 | 2500 | 15±1.5 | 6.0 | 7.5 | 0.78 | 4.0±0.5 |
| ZVR14D471KL857A0 | 470 | 300 | 385 | 775 | 50 | 4500 | 2500 | 15±1.5 | 6.0 | 7.5 | 0.78 | 5.0±0.5 |
| ZVR14D471KL877A0 | 470 | 300 | 385 | 775 | 50 | 4500 | 2500 | 15±1.5 | 6.0 | 7.5 | 0.78 | 7.0±0.5 |
| ZVR14D471KL8C7A0J | 470 | 300 | 385 | 775 | 50 | 6000 | 4500 | 15±1.5 | 6.0 | 7.5 | 0.78 | 3.2±0.3 |
| ZVR14D511KL837A0 | 510 | 320 | 430 | 840 | 50 | 4500 | 2500 | 15±1.5 | 6.2 | 7.5 | 0.78 | 3.5±0.5 |
| ZVR14D511KL847A0 | 510 | 320 | 430 | 840 | 50 | 4500 | 2500 | 15±1.5 | 6.2 | 7.5 | 0.78 | 4.0±0.5 |
| ZVR14D511KL8B7A0 | 510 | 320 | 430 | 840 | 50 | 4500 | 2500 | 15±1.5 | 6.2 | 7.5 | 0.78 | 25min |
| ZVR14D561KK837E0 | 560 | 356 | 468 | 925 | 50 | 4500 | 2500 | 15±1.5 | 6.4 | 7.5 | 0.78 | 3.5±0.5 |
| ZVR14D561KK837F1 | 560 | 356 | 468 | 925 | 50 | 4500 | 2500 | 15±1.5 | 6.4 | 7.5 | 0.78 | 3.5±0.5 |
| ZVR14D561KK8C7A0J | 560 | 356 | 468 | 925 | 50 | 6000 | 4500 | 15±1.5 | 6.4 | 7.5 | 0.78 | 3.2±0.3 |
| ZVR14D561KL837A0 | 560 | 356 | 468 | 925 | 50 | 4500 | 2500 | 15±1.5 | 6.4 | 7.5 | 0.78 | 3.5±0.5 |
| ZVR14D561KL837A0J | 560 | 356 | 468 | 925 | 50 | 6000 | 4500 | 15±1.5 | 6.4 | 7.5 | 0.78 | 3.5±0.5 |
| ZVR14D561KL837E0 | 560 | 356 | 468 | 925 | 50 | 4500 | 2500 | 15±1.5 | 6.4 | 7.5 | 0.78 | 3.5±0.5 |
| ZVR14D561KL887A0 | 560 | 356 | 468 | 925 | 50 | 4500 | 2500 | 15±1.5 | 6.4 | 7.5 | 0.78 | 8.0±1.0 |
| ZVR14D561KL8C7A0J | 560 | 356 | 468 | 925 | 50 | 6000 | 4500 | 15±1.5 | 6.4 | 7.5 | 0.78 | 3.2±0.3 |
| ZVR14D621KB837FB | 620 | 385 | 505 | 1025 | 50 | 4500 | 2500 | 15±1.5 | 6.6 | 7.5 | 0.78 | 3.5±0.5 |
| ZVR14D621KB837GB | 620 | 385 | 505 | 1025 | 50 | 4500 | 2500 | 15±1.5 | 6.6 | 7.5 | 0.78 | 3.5±0.5 |
| ZVR14D621KK7Y7F1 | 620 | 385 | 505 | 1025 | 50 | 4500 | 2500 | 15±1.5 | 6.6 | 7.5 | 0.65 | Y型编带 |
| ZVR14D621KK837FB | 620 | 385 | 505 | 1025 | 50 | 4500 | 2500 | 15±1.5 | 6.6 | 7.5 | 0.78 | 3.5±0.5 |
| ZVR14D621KK837GB | 620 | 385 | 505 | 1025 | 50 | 4500 | 2500 | 15±1.5 | 6.6 | 7.5 | 0.78 | 3.5±0.5 |
| ZVR14D621KK8C8FB | 620 | 385 | 505 | 1025 | 50 | 4500 | 2500 | 15±1.5 | 6.6 | 8 | 0.78 | 3.2±0.3 |
| ZVR14D681KB837A0J | 680 | 420 | 565 | 1120 | 50 | 6000 | 4500 | 15±1.5 | 6.8 | 7.5 | 0.78 | 3.5±0.5 |
| ZVR14D681KK837A0 | 680 | 420 | 565 | 1120 | 50 | 4500 | 2500 | 15±1.5 | 6.8 | 7.5 | 0.78 | 3.5±0.5 |
| ZVR14D681KK837E0 | 680 | 420 | 565 | 1120 | 50 | 4500 | 2500 | 15±1.5 | 6.8 | 7.5 | 0.78 | 3.5±0.5 |
| ZVR14D681KK837G1 | 680 | 420 | 565 | 1120 | 50 | 4500 | 2500 | 15±1.5 | 6.8 | 7.5 | 0.78 | 3.5±0.5 |
| ZVR14D681KL837A0J | 680 | 420 | 565 | 1120 | 50 | 6000 | 4500 | 15±1.5 | 6.8 | 7.5 | 0.78 | 3.5±0.5 |
| ZVR14D681KL8J7A0 | 680 | 420 | 565 | 1120 | 50 | 4500 | 2500 | 15±1.5 | 6.8 | 7.5 | 0.78 | 4.5±0.5 |
| ZVR14D681KT837G1 | 680 | 420 | 565 | 1120 | 50 | 4500 | 2500 | 15±1.5 | 6.8 | 7.5 | 0.78 | 3.5±0.5 |

| | | | | | | | | | | | | |
|------------------|-----|-----|-----|------|-----|------|------|--------|-----|-----|------|---------|
| ZVR14D751KB837F1 | 750 | 460 | 615 | 1240 | 50 | 4500 | 2500 | 15±1.5 | 7.0 | 7.5 | 0.78 | 3.5±0.5 |
| ZVR14D751KF837G1 | 750 | 460 | 615 | 1240 | 50 | 4500 | 2500 | 15±1.5 | 7.0 | 7.5 | 0.78 | 3.5±0.5 |
| ZVR14D751KK837F1 | 750 | 460 | 615 | 1240 | 50 | 4500 | 2500 | 15±1.5 | 7.0 | 7.5 | 0.78 | 3.5±0.5 |
| ZVR14D751KK837G1 | 750 | 460 | 615 | 1240 | 50 | 4500 | 2500 | 15±1.5 | 7.0 | 7.5 | 0.78 | 3.5±0.5 |
| ZVR14D751KK8C7G1 | 750 | 460 | 615 | 1240 | 50 | 4500 | 2500 | 15±1.5 | 7.0 | 7.5 | 0.78 | 3.2±0.3 |
| ZVR14D751KT8C7F1 | 750 | 460 | 615 | 1240 | 50 | 4500 | 2500 | 15±1.5 | 7.0 | 7.5 | 0.78 | 3.2±0.3 |
| ZVR14D751KT8C7G1 | 750 | 460 | 615 | 1240 | 50 | 4500 | 2500 | 15±1.5 | 7.0 | 7.5 | 0.78 | 3.2±0.3 |
| ZVR20D431KK830A0 | 430 | 275 | 350 | 710 | 100 | 6500 | 4000 | 21±1.5 | 6.4 | 10 | 0.78 | 3.5±0.5 |
| ZVR20D751KL8B0A0 | 750 | 460 | 615 | 1240 | 100 | 6500 | 4000 | 21±1.5 | 7.3 | 10 | 0.78 | 25min |

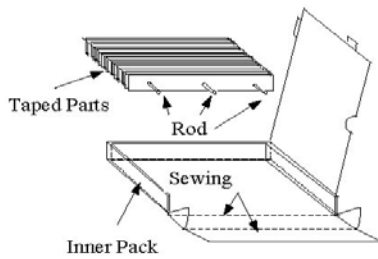
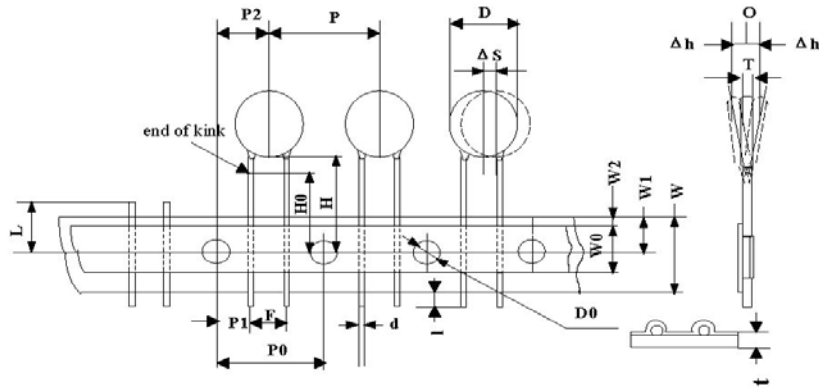
标志 Marking

例如 e.g

| 正面 front | 背面 back |
|--|---|
|  |  |

编带样式 Taping style

TAPING STYLE F



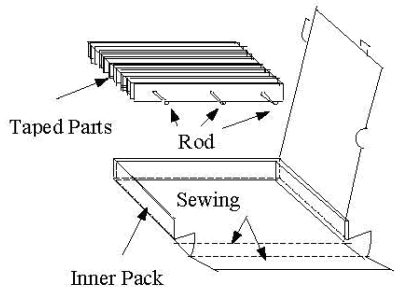
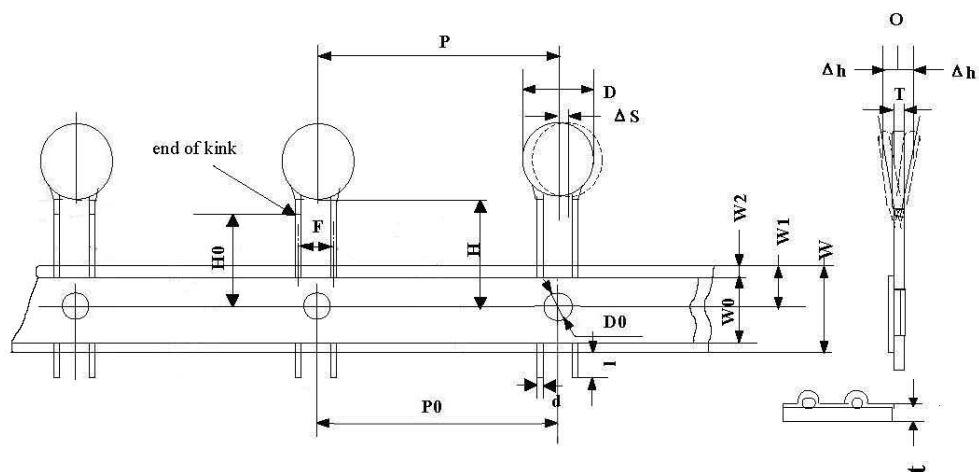
- 1.* For lead styles of inside kink and outside kink only
2. The lead sharp shall change with lead style.

| Symbol | Dimension(mm) |
|--------|---------------------------------|
| P0 | 12.7±0.2 |
| P | 12.7±1.0 |
| F | 5.0±0.5 |
| P1 | 3.85±0.4 |
| P2 | 6.35±0.4 |
| H0 | 16.0±0.5* |
| H | 20.0±0.5 |
| W | 18.0±0.5 |
| W0 | 8.0min. |
| W1 | 9.0±0.3 |
| W2 | 3.0max. |
| t | 0.7±0.2 |
| D | To comply with individual sheet |
| D0 | 4±0.2 |
| d | To comply with individual sheet |
| l | 2.0max. |
| L | 11max. |
| T | To comply with individual sheet |
| ΔS | 0.5max. |
| Δh | 0.5max. |

Figure 2



TAPING STYLE V



| Symbol | Dimension(mm) |
|-----------|---------------------------------|
| P0 | 15.0±0.2 |
| P | 15.0±1.0 |
| F | 10.0±0.5 |
| P1 | |
| P2 | |
| H0 | 16.0±0.5*1 |
| H | 20.0±0.5*2 |
| W | 18.0±0.5 |
| W0 | 8.0min. |
| W1 | 9.0±0.3 |
| W2 | 3.0max. |
| t | 0.7±0.2 |
| D | To comply with individual sheet |
| D0 | 4±0.2 |
| d | To comply with individual sheet |
| l | 2.0max. |
| T | To comply with individual sheet |
| ΔS | 1.0 max. |
| Δh | 1.0 max. |

1. *1 打弯脚型以H0为准。

For kink lead only.

2. *2 直脚产品以H为准。

For straight lead only.

Figure 3

X-ON Electronics

Largest Supplier of Electrical and Electronic Components

Click to view similar products for [Varistors](#) category:

Click to view products by [South HongMing](#) manufacturer:

Other Similar products are found below :

[R71ZOV151HC](#) [B72205S271K111](#) [B72214S251K151](#) [NTE1V020](#) [NTE1V130](#) [25FN511K](#) [S10K11G5S5](#) [ERZ-C14DK361U](#) [ERZ-C20DK221U](#) [207869-1](#) [AS-13](#) [B72540E 350K 62](#) [B72590D360A60](#) [B72650M301K93](#) [B72670M1140K72](#) [TVZ18EC271KBS](#) [TVZ20EB911KBS](#) [TVZ25D201KBS](#) [TVZ25D241KBS](#) [VDRH20X230BSE](#) [VZ07D220KBS](#) [VZ40D241KQ-N](#) [VZ40D241K](#) [VZ25D511KBS-N](#) [VZ20E511KBSX](#) [VZ20E221KBSX](#) [VZ10D471KBS-N](#) [20A9FN241K](#) [B72650M350K72](#) [TVZ25D301KBS](#) [TVZ20EC911KBS](#) [TVZ20EBN911KBS](#) [TVZ18EC471KBS](#) [B72220S350K101](#) [NTE1V030](#) [NTE1V275](#) [NTE2V015](#) [NTE2V035](#) [NTE2V115](#) [VZ20D391KBS-N](#) [VZ10D241KBS-N](#) [VZ07D390KBS-N](#) [VDRH14V060TSE](#) [VDRH20X300BKE](#) [V300LT4PX1841](#) [NTE1V017](#) [NTE1V115](#) [NTE1V150](#) [NTE1V300](#) [NTE2V025](#)