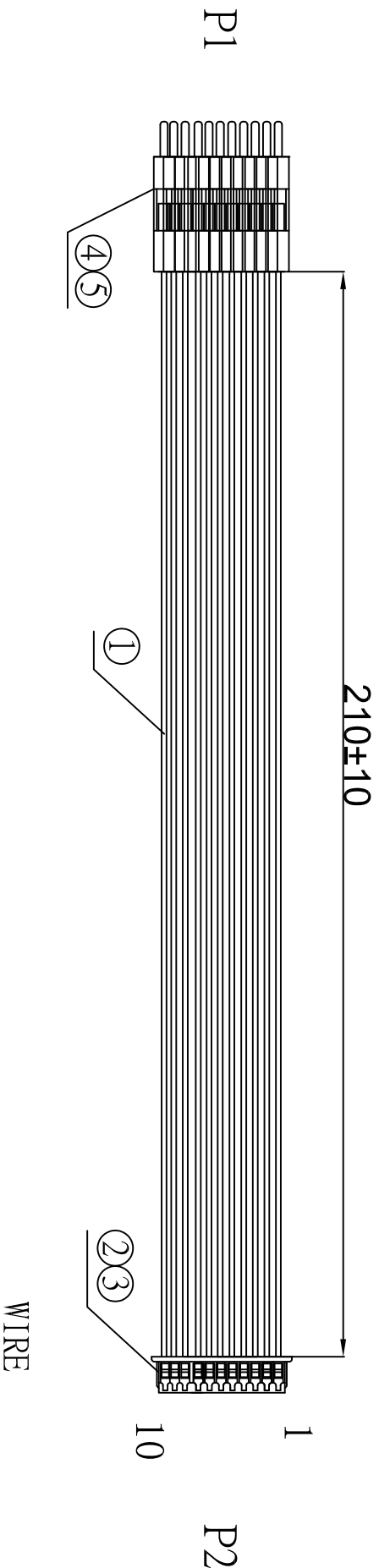


REV	ECRN	DATE
1	NEW PRODUCTION	20180426



P1	P2
DUPONT TERMINAL	Yellow
DUPONT TERMINAL	Brown
DUPONT TERMINAL	Purple
DUPONT TERMINAL	Blue
DUPONT TERMINAL	Green
DUPONT TERMINAL	Orange
DUPONT TERMINAL	Gray
DUPONT TERMINAL	Red
DUPONT TERMINAL	White
DUPONT TERMINAL	Black

NOTES:
 1. ELECTRICAL TEST: 100% OPEN, SHORTCIRCUIT WIRE TEST.
 2. CONTACT RESISTANCE: 5 ohm,
 3. INSULATOR RESISTANCE: 5M ohm.
 4. HIGH VOLTAGE: DC 300V 0.01sec.
 5. MUST BE ROHS COMPLIANT.

NO.	PART NO	ITEM	DESCRIPTION	QTY UNIT	PCS
⑤		HOUSING	DUPONT 2.54-H01 BLACK	10	PCS
④		TERMINAL	DUPONT 2.54 M GOLD PLATED TERMINAL	10	PCS
③	D.500588-1100R	TERMINAL	MOLEX 50058-8000 PH1.25MM MALE TERMINAL	10	PCS
②	E.051021-1000R	HOUSING	MOLEX-51021-1000 PH1.25MM 1*10PIN HOUSING: WHITE	1	PCS
①		CABLE	UL1571 28AWG (7/0.12TC) jacket Yellow, Brown, Purple, Blue, Green, Orange, Gray, Red, WHITE, Black L=220MM	10	PCS

ROHS COMPLIANT	
DRAWN BY	袁小政
CHECKED BY	
APPROVED BY	

东莞市朋联电子科技有限公司	
DongGuan Peng Lian Electronic Technology Co., Ltd	
TEL: 076938835093/38835094 FAX: 076938835091	
比例: FREE	單位: mm
TITLE: DUPONT 2.54-H01 TO MOLEX 1.25MM 10P	SUPPLIER'S ITEM: 9.000WH00092.000R

CUSTOMER: SPARK FUN
CUSTOMER'S ITEM:
DRAWING NO. WH-00092-00
DATE 2018-04-26

X-ON Electronics

Largest Supplier of Electrical and Electronic Components

Click to view similar products for [SparkFun Accessories](#) category:

Click to view products by [SparkFun](#) manufacturer:

Other Similar products are found below :

[DEV-17119](#) [SEN-16474](#) [COM-11450](#) [BOB-00495](#) [BOB-00497](#) [PRT-08619](#) [PRT-12702](#) [SEN-13582](#) [TOL-11468](#) [ROB-09065](#) [COM-12999](#)
[COM-12986](#) [COM-11120](#) [ROB-11965](#) [COM-11222](#) [PRT-12845](#) [CAB-13685](#) [PRT-10210](#) [PRT-14490](#) [TOL-10603](#) [COM-09278](#) [PRT-08023](#)
[COM-08033](#) [DEV-14052](#) [PRT-00111](#) [PRT-08432](#) [TOL-09317](#) [TOL-10997](#) [PRT-00743](#) [PRT-14492](#) [TOL-14228](#) [COM-13247](#) [PRT-11026](#)
[CAB-10646](#) [TOL-08964](#) [PRT-00116](#) [PRT-08506](#) [CAB-09741](#) [COM-10800](#) [SEN-14282](#) [DEV-14012](#) [CAB-14043](#) [COM-14452](#) [TOL-14508](#)
[DEV-13814](#) [GPS-00574](#) [PRT-14417](#) [PRT-08231](#) [COM-09939](#) [PRT-13839](#)