

深圳市昱申科技有限公司

CHINA YOUNG SUN LED TECHNOLOGY CO., LTD.

TEL: (86) 755-28079401 28079402 28079403 28079404 28079405

FAX: (86) 755-28079407 E-mail: info@100LED.com Web: www.100LED.com

**Model No.: YSL-R596AR3G4B5C-C10**  
**RED/GREEN/BLUE Triple Color LED**

**Applications:**

- Moving Message Display
- Full Color Display
- Banking Board
- Score Boards
- Digital Display

**LED Chip Absolute Maximum Ratings: (Ta=25°C)**

Parameter	Symbol	Red	Green	Blue	Unit
Forward current	I <sub>F</sub>	20	20	20	mA
Peak forward current (Duty Cycle=1/10, 10KHz)	I <sub>PF</sub>	30	30	30	mA
Reverse current (V <sub>R</sub> =5V)	I <sub>R</sub>	10	10	10	μA
Operating temp	T <sub>OPR</sub>	-25~85	-25~85	-25~85	°C
Storage temp	T <sub>STG</sub>	-30~85	-30~85	-30~85	°C
Peak Emission Wavelength	λ <sub>PH</sub>	625	520	467.5	nm

\* Soldering Bath: not more than 5 seconds @260 °C. The bottom ends of the plastic reflector should be at least 2mm above the solder surface

Soldering Iron: not more than 3 seconds @300 °C under 30W

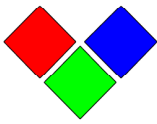
**LED Chip Typical Electrical & Optical Characteristics: (Ta=25°C)**

ITEMS	Color	Symbol	Condition	Min.	Typ.	Max.	Unit
Forward Voltage	Red	V <sub>F</sub>	I <sub>F</sub> =20mA	1.8	2.0	2.2	V
	Green			3.0	3.2	3.4	
	Blue			3.0	3.2	3.4	
Luminous Intensity	Red	I <sub>v</sub>	I <sub>F</sub> =20mA	---	---	800	mcd
	Green			---	---	4000	
	Blue			---	---	900	
Wavelength	Red	Δλ	I <sub>F</sub> =20mA	620	623	625	nm
	Green			515	517.5	520	
	Blue			465	466	467.5	
Light Degradation after 1000 hours	Red	-4.68% ~ -8.27%					
	Green	-11.37% ~ -15.30%					
	Blue	-8.23% ~ -16.81%					

Address: 5/F, Building B, Anzhilong Indl., Qinghua East Road., Longhua Town, Shenzhen CHINA. 518109

www.100LED.com

ONE HUNDRED LED  
 PERFECT LED



# 深圳市昱申科技有限公司

## CHINA YOUNG SUN LED TECHNOLOGY CO., LTD.

TEL: (86) 755-28079401 28079402 28079403 28079404 28079405

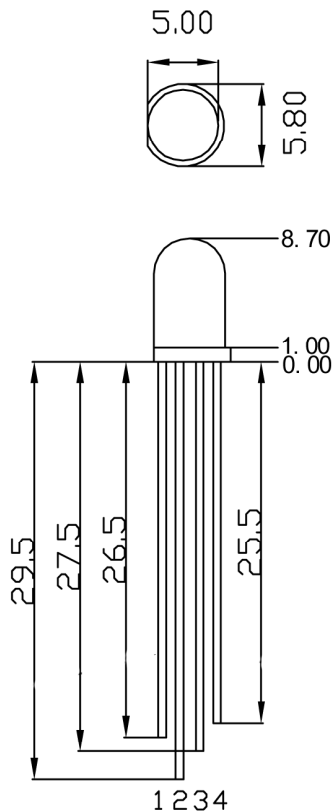
FAX: (86) 755-28079407 E-mail: info@100LED.com Web: www.100LED.com

### Light Degradation in mcd: ( $I_F=20mA$ )

Colors	Light Degradation in mcd after Different Hours					
	216 Hrs	360 Hrs	792 Hrs	1104 Hrs	1992 Hrs	2328 Hrs
Red	1.52%	-1.22%	-3.10%	-4.68%	-5.72%	-8.27%
Green	-8.02%	-9.78%	-10.25%	-11.37%	-13.79%	-15.30%
Blue	3.13%	-0.33%	-3.84%	-8.23%	-14.32%	-16.81%

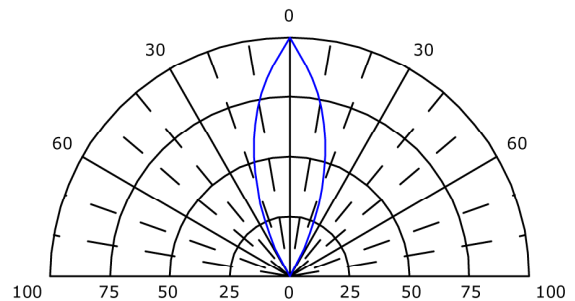
### Mechanical Dimensions:

- All dimension are in mm, tolerance is  $\pm 0.2mm$  unless otherwise noted
- An epoxy meniscus may extend about 1.5mm down the leads.
- Burr around bottom of epoxy may be 0.5mm Maximum



Unit: mm

Viewing Angle Drawing



## X-ON Electronics

Largest Supplier of Electrical and Electronic Components

*Click to view similar products for [SparkFun Accessories](#) category:*

*Click to view products by [SparkFun](#) manufacturer:*

Other Similar products are found below :

[DEV-17119](#) [SEN-16474](#) [COM-11450](#) [BOB-00495](#) [BOB-00497](#) [PRT-08619](#) [PRT-12702](#) [SEN-13582](#) [TOL-11468](#) [ROB-09065](#) [COM-12999](#)  
[COM-12986](#) [COM-11120](#) [ROB-11965](#) [COM-11222](#) [PRT-12845](#) [CAB-13685](#) [PRT-10210](#) [PRT-14490](#) [TOL-10603](#) [COM-09278](#) [PRT-08023](#)  
[COM-08033](#) [DEV-14052](#) [PRT-00111](#) [PRT-08432](#) [TOL-09317](#) [TOL-10997](#) [PRT-00743](#) [PRT-14492](#) [TOL-14228](#) [COM-13247](#) [PRT-11026](#)  
[CAB-10646](#) [TOL-08964](#) [PRT-00116](#) [PRT-08506](#) [CAB-09741](#) [COM-10800](#) [SEN-14282](#) [DEV-14012](#) [CAB-14043](#) [COM-14452](#) [TOL-14508](#)  
[DEV-13814](#) [GPS-00574](#) [PRT-14417](#) [PRT-08231](#) [COM-09939](#) [PRT-13839](#)