

SPECIFICATION

产品规格书

CUSTOMER : _____

(客户)

PART NO. : _____

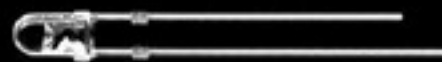
(产品型号)

SPEC NO. : _____

(规格书编号)

DATE : _____

(日期)



FOR AFFIRM

(供方确认)

FOR AFFIRM		
(供方确认)		
AFFIRM	CHECKED	PREPARED
(核准)	(审核)	(制定)
		刘小龙

Light color : Red 、 Green 、 Blue
Absolute maximum rating (Ta=25°C)

- Operating/Storage temperature range : -30°C~ +85°C
- Derating linear from 25°C : 0.4 mA/°C
- Lead soldering temperature range : 260°C for 3 second
- Colloid Color:White Clear
- Life Test:20,000~50,000hours

Electro-optical characteristics (TA=25°C)
RED COLOR :

Parameter	Symbol	Min	Typ.	Max	Unit	Test Condition
Forward voltage	V_F	❖	2.00	2.25	V	IF=20 mA
Luminous intensity	I_v	❖	1000	1200	mcd	IF=20 mA
Peak emission wavelength	λ_p	❖	620	630	nm	❖
Half intensity angle	$\Delta\theta$	❖	25	❖	deg	❖

GREEN COLOR :

Parameter	Symbol	Min	Typ.	Max	Unit	Test Condition
Forward voltage	V_F	❖	3.5	5	V	IF=20 mA
Luminous intensity	I_v	❖	1500	2000	mcd	IF=20 mA
Peak emission wavelength	λ_p	❖	515	525	nm	❖
Half intensity angle	$\Delta\theta$	❖	25	❖	deg	❖

BLUE COLOR :

Parameter	Symbol	Min	Typ.	Max	Unit	Test Condition
Forward voltage	V_F	❖	3.5	5	V	IF=20 mA
Luminous intensity	I_v	❖	1200	1500	mcd	IF=20 mA
Peak emission wavelength	λ_p	❖	460	470	nm	❖
Half intensity angle	$\Delta\theta$	❖	25	❖	deg	❖

Direct Current Characteristics

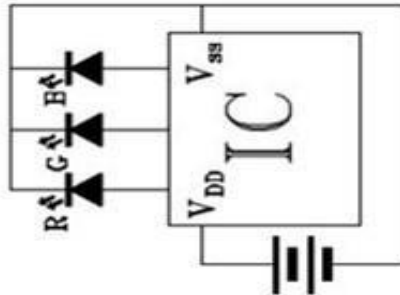
Parameter	Symbol	Min	Typ.	Max	Unit	Remarks
Operating voltage	V_{DD}	2.0	4.5	5.0	V	❖
Driver Current	I_{ol}	❖	50	❖	mA	@V _{DS} =1.2V
Power Consumption	P_o	❖	225	❖	mW	V _{DD} =4.5V
Flash Frequency	F_{tet}	❖	0.2	❖	Hz	External ± 30%

*All specs and applications shown above subject to change without prior notice.

(以上电路及规格仅供参考，本公司可进行修正)

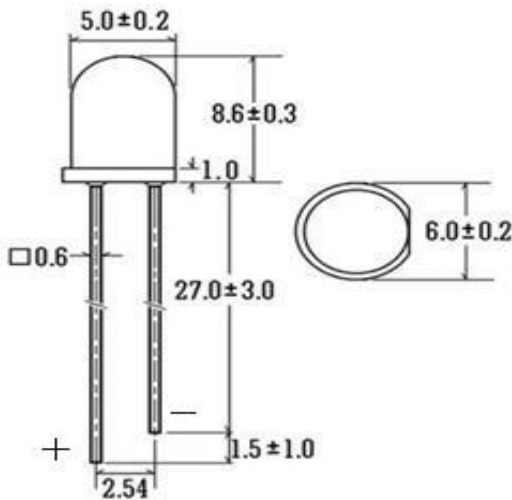
Application diagram and Dimensions

Application Diagram

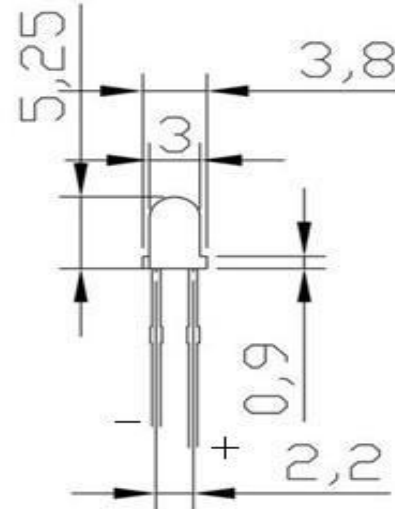


NOTE:
Unit:mm

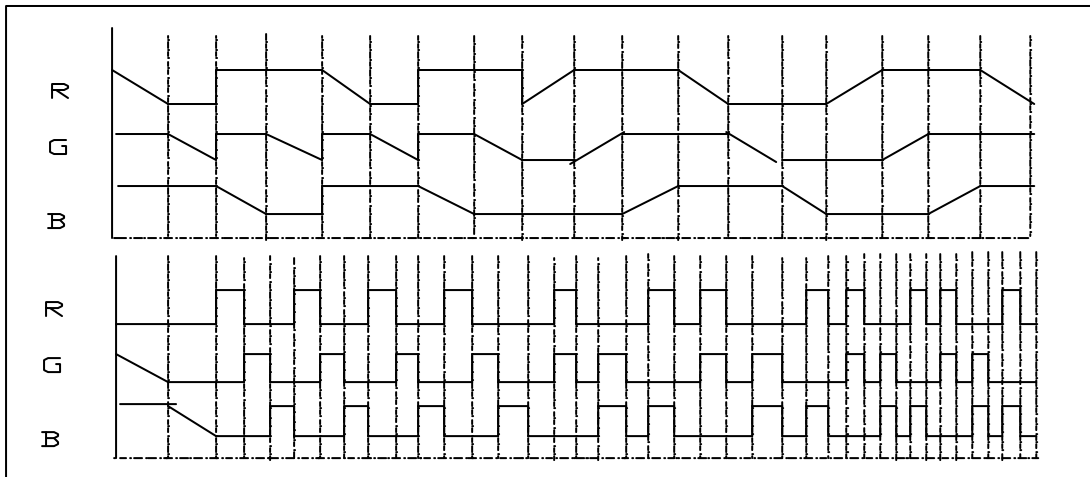
Dimensions:5mm



Dimensions:3mm



Output Sketch Map



*All specs and applications shown above subject to change without prior notice.

(以上电路及规格仅供参考，本公司可进行修正)

X-ON Electronics

Largest Supplier of Electrical and Electronic Components

Click to view similar products for [SparkFun Accessories](#) category:

Click to view products by [SparkFun](#) manufacturer:

Other Similar products are found below :

[DEV-17119](#) [SEN-16474](#) [COM-11450](#) [BOB-00495](#) [BOB-00497](#) [PRT-08619](#) [PRT-12702](#) [SEN-13582](#) [TOL-11468](#) [ROB-09065](#) [COM-12999](#)
[COM-12986](#) [COM-11120](#) [ROB-11965](#) [COM-11222](#) [PRT-12845](#) [CAB-13685](#) [PRT-10210](#) [PRT-14490](#) [TOL-10603](#) [COM-09278](#) [PRT-08023](#)
[COM-08033](#) [DEV-14052](#) [PRT-00111](#) [PRT-08432](#) [TOL-09317](#) [TOL-10997](#) [PRT-00743](#) [PRT-14492](#) [TOL-14228](#) [COM-13247](#) [PRT-11026](#)
[CAB-10646](#) [TOL-08964](#) [PRT-00116](#) [PRT-08506](#) [CAB-09741](#) [COM-10800](#) [SEN-14282](#) [DEV-14012](#) [CAB-14043](#) [COM-14452](#) [TOL-14508](#)
[DEV-13814](#) [GPS-00574](#) [PRT-14417](#) [PRT-08231](#) [COM-09939](#) [PRT-13839](#)