



## Ultra Thin Side View LED Strip



## Product Description

- After we developed the ultra thin side emitting bar (<http://www.ipixelleds.com/index.php?id=376>).
- The flexible side view stripe came out under customer's strong request.
- It's 60 LEDs per meter and 5 meters in a reel.
- Same as our other addressable tapes, it's cut-able every unit.



- Just be aware that the solder pad very small so suggest you choose a 22AWG wire for re-connection.
- Each chip has 4 pin even it's quite thin size, and the Pin almost covered by the LED's body, so it's hard to replace LED if any of broken, cut the unit LED on PCB will be a better option.



## Product Datasheet

Product Number	S60SK6812SIDEV5
Light Source	SK6812SIDE
Beam Angle	120°
LED Quantity	60leds/m
Size (mm)	L 5000* W 8 mm
Emitting Color	Full color
Operating Voltage	DC5V
Power (W)	18±1w/m
Control (IC)	SK6812
Waterproof Rating	IP20
Luminance(MCD)	R:90000mcd    G:132000mcd    B:6000mcd

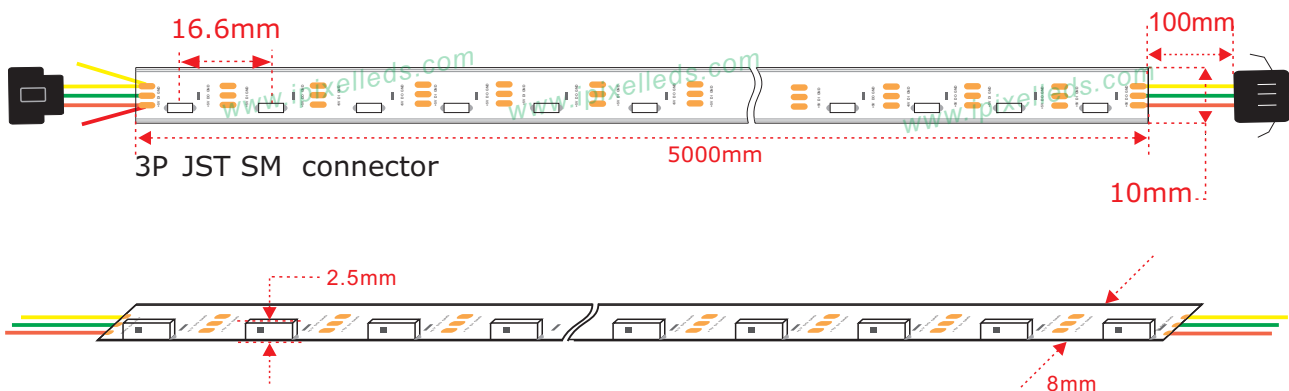
## Application



1. Hotels, restaurants, nights clubs.
3. Advertising signs, brightening.

2. Back lighting, edge lighting.
4. Dancefloor background.

## Outline Dimension



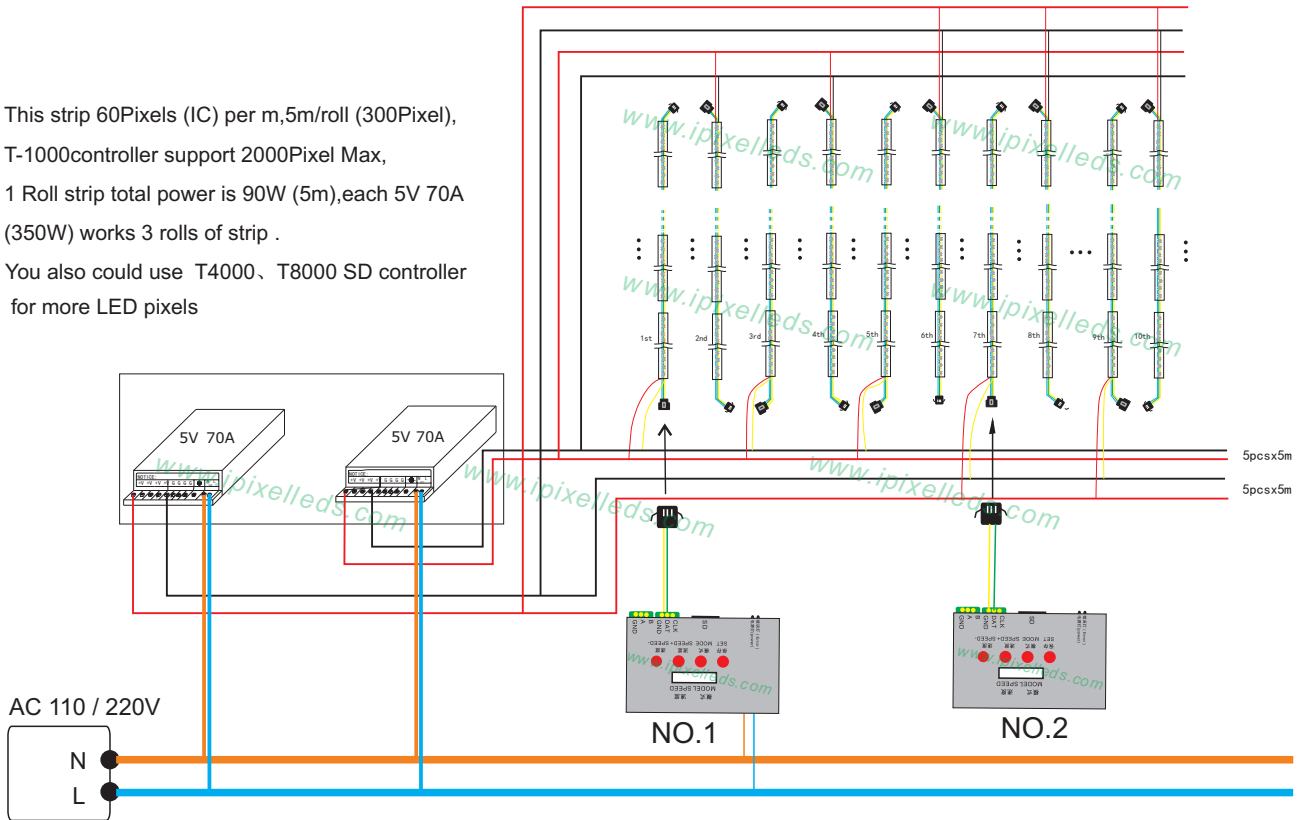


Power cable → DC5V+  
 → COM-

3 Pin JST cable → DC5V+  
 → DAT  
 → GND

## Connection Drawing

This strip 60Pixels (IC) per m,5m/roll (300Pixel),  
 T-1000controller support 2000Pixel Max,  
 1 Roll strip total power is 90W (5m),each 5V 70A  
 (350W) works 3 rolls of strip .  
 You also could use T4000、T8000 SD controller  
 for more LED pixels



## X-ON Electronics

Largest Supplier of Electrical and Electronic Components

*Click to view similar products for [SparkFun Accessories](#) category:*

*Click to view products by [SparkFun](#) manufacturer:*

Other Similar products are found below :

[DEV-17119](#) [SEN-16474](#) [COM-11450](#) [BOB-00495](#) [BOB-00497](#) [PRT-08619](#) [PRT-12702](#) [SEN-13582](#) [TOL-11468](#) [ROB-09065](#) [COM-12999](#)  
[COM-12986](#) [COM-11120](#) [ROB-11965](#) [COM-11222](#) [PRT-12845](#) [CAB-13685](#) [PRT-10210](#) [PRT-14490](#) [TOL-10603](#) [COM-09278](#) [PRT-08023](#)  
[COM-08033](#) [DEV-14052](#) [PRT-00111](#) [PRT-08432](#) [TOL-09317](#) [TOL-10997](#) [PRT-00743](#) [PRT-14492](#) [TOL-14228](#) [COM-13247](#) [PRT-11026](#)  
[CAB-10646](#) [TOL-08964](#) [PRT-00116](#) [PRT-08506](#) [CAB-09741](#) [COM-10800](#) [SEN-14282](#) [DEV-14012](#) [CAB-14043](#) [COM-14452](#) [TOL-14508](#)  
[DEV-13814](#) [GPS-00574](#) [PRT-14417](#) [PRT-08231](#) [COM-09939](#) [PRT-13839](#)