

SPECIFICATION

1.General Characteristics
 T-Flash Connector 08 Pin SMT 90°
 Standoff=0 Normal Push Push Type
 Selective Gold Flash Tape & Reel 1K/Reel

2.Material&Finish
 Insulator:LCP(UL94V-0),Black
 Contact:Phosphor Bronze,
 Gold Flash On Contact Area,Tin
 Plated On Solder Tails,Over Nickel
 Shell:Stainless,Gold Flash On Solder Area,
 Over Nickel Plated

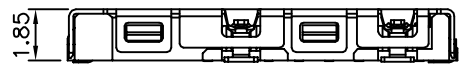
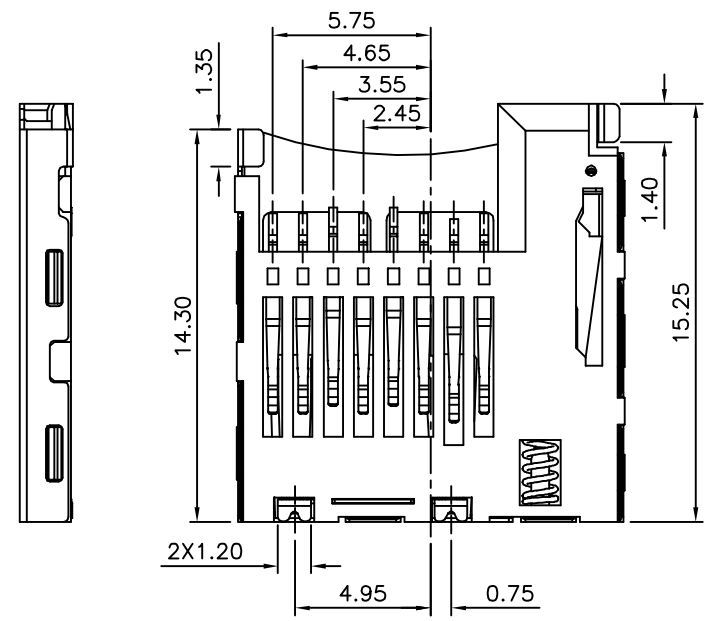
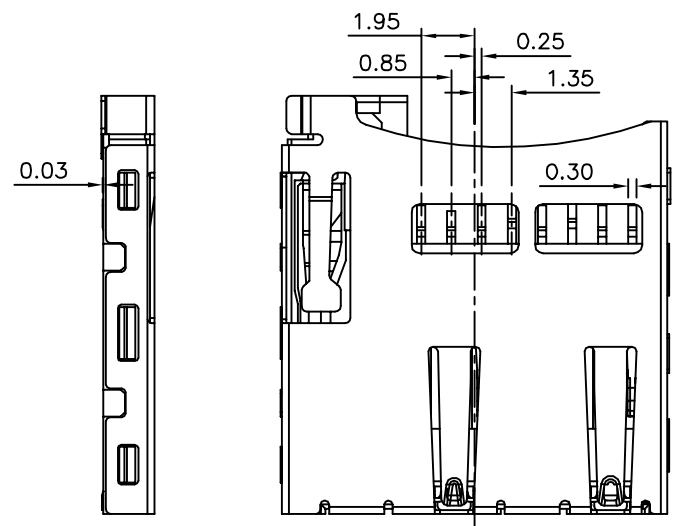
Spring:SWP-B
 Hook:Stainless

3.Electrical Characteristics
 Current Rating:0.5A Max.
 Contact Resistance:100 Milliohms Max.
 Insulation Resistance:250V DC Or 300V AC
 For No Less Than 1 Minute,
 1000 Megaohms Min.
 Withstanding Voltage:500V AC For 1 Minute

4.Mechanical Characteristics
 Mating Cycles:10000 Cycles
 Insertion Force:2.0 Kgf Max.
 Extraction Force:0.5 Kgf Min.

5.Environmental Characteristics
 Operating Temperature:-25°C~+85°C

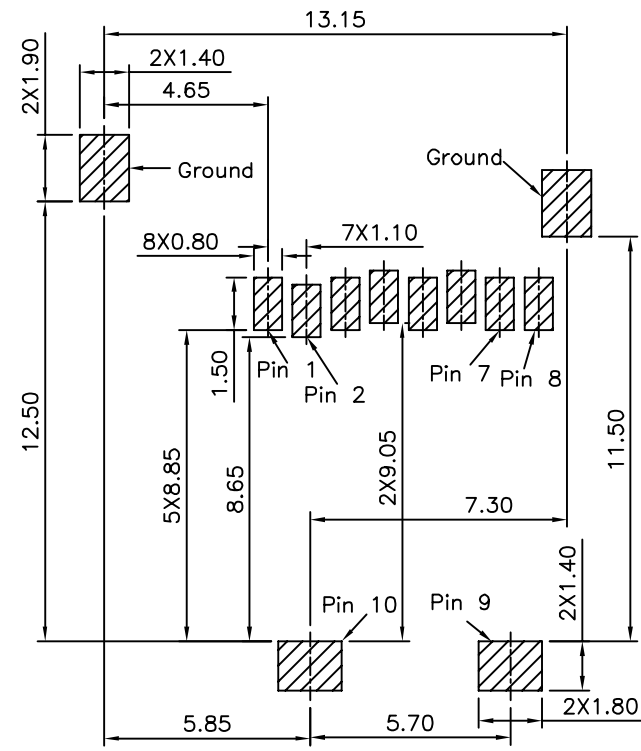
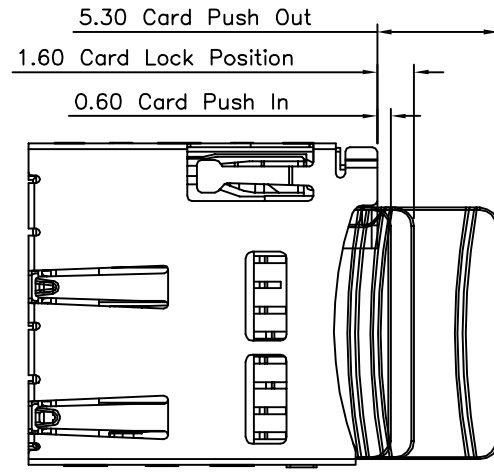
6.RoHS Compliant



4UCON 元化興業股份有限公司
 4UCON TECHNOLOGY INC.

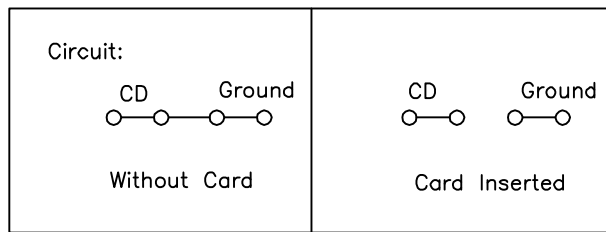
DRAWING No.		APPROVED BY		UNLESS OTHERWISE SPECIFIED TOLERANCES ARE
15882		MEI		
		CHECKED BY		
		HZF		X. ±0.50 X.* ±5*
		DRAWING BY		.X ±0.25 .X.* ±2*
		SONG		.XX ±0.15 .XX.* ±1*
SCALE	NONE	REV.	A1	UNIT
				mm

NO.	REV.	REVISIONS	CHK	DATE
△A1		Modify Data	HZF	08/22/2012
△A0		NEW RELEASE	HZF	01/19/2012



Recommended P.C.B. Layout
(PCB Board Tolerance±0.05)

Pin No.	Micro SD
Pin 1	DAT2 1P
Pin 2	CD/DAT3 2P
Pin 3	CMD 3P
Pin 4	VDD 4P
Pin 5	CLK 5P
Pin 6	VSS 6P
Pin 7	DAT0 7P
Pin 8	DAT1 8P
Pin 9	Card Detect
Pin 10	

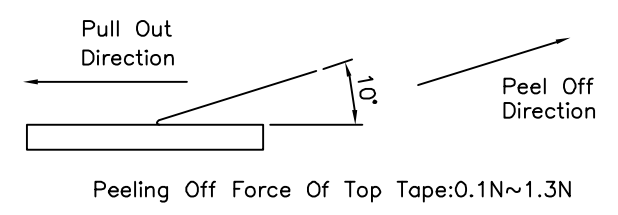
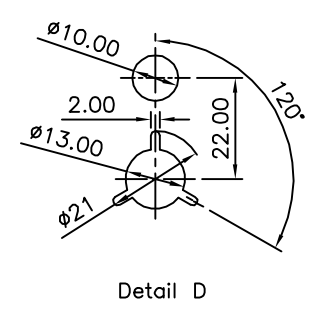
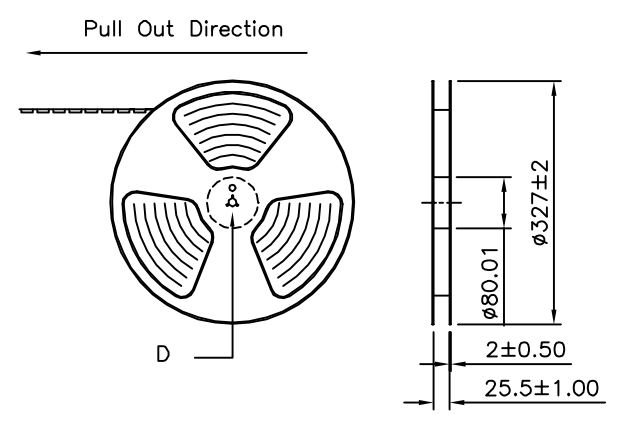
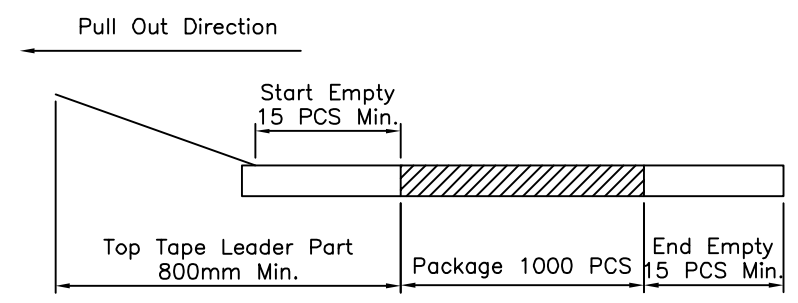
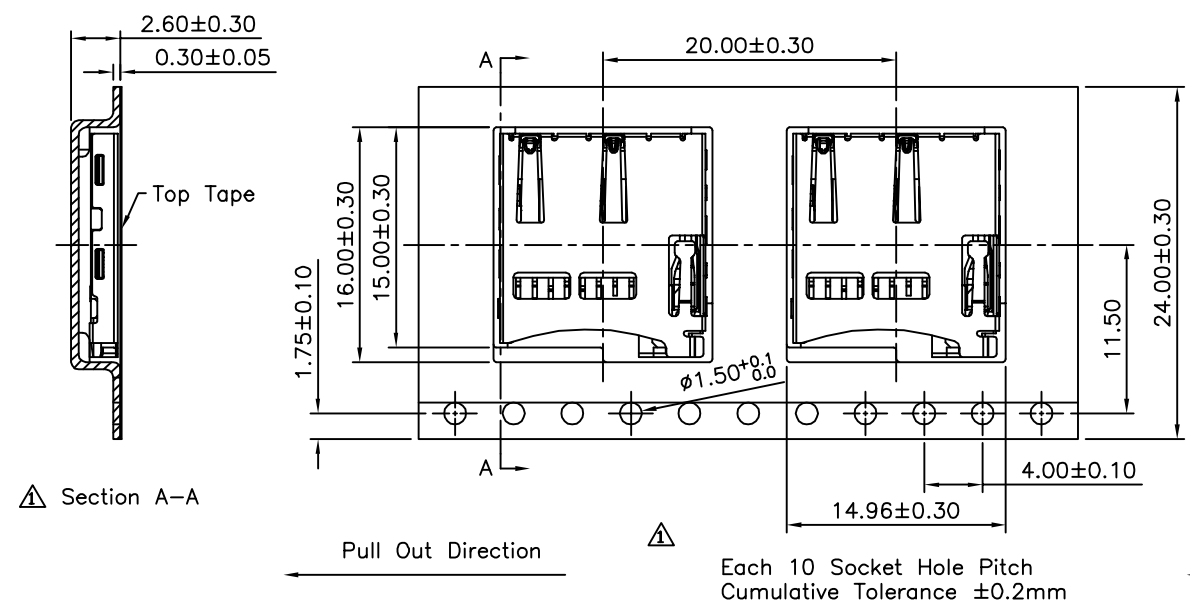


DRAWING No.		APPROVED BY		UNLESS OTHERWISE SPECIFIED TOLERANCES ARE X. ±0.50 X.* ±5* .X ±0.25 .X* ±2* .XX ±0.15 .XX* ±1*
15882		MEI		
		CHECKED BY		
		HZF		
		DRAWING BY		UNIT mm
		SONG		
SCALE	NONE	REV.	A1	NO. REV.

△ A1	Modify Data	HZF	08/22/2012
△ A0	NEW RELEASE	HZF	01/19/2012
NO. REV.	REVISIONS	CHK	DATE

4UCON 元化興業股份有限公司
4UCON TECHNOLOGY INC.

SPECIFICATION
 Carrier Tape:PS
 Top Tape:PS
 Reel:PS
 Q'ty:1000 PCS/Reel
 RoHS Compliant



4UCON 元化興業股份有限公司
 4UCON TECHNOLOGY INC.

DRAWING No.		APPROVED BY		UNLESS OTHERWISE SPECIFIED TOLERANCES ARE X. ±0.20 X.* ±5° .X ±0.15 .X* ±2° .XX ±0.08 .XX* ±1° .XXX ±0.05 .XXX* ±0.5°
15882		MEI		
		CHECKED BY		
		HZF		
		DRAWING BY		UNIT mm
		SONG		
SCALE	NONE	REV.	A1	

NO.	REV.	REVISIONS	CHK	DATE
△A1		Modify Data	HZF	08/22/2012
△A0		NEW RELEASE	HZF	01/19/2012

X-ON Electronics

Largest Supplier of Electrical and Electronic Components

Click to view similar products for [SparkFun Accessories](#) category:

Click to view products by [SparkFun](#) manufacturer:

Other Similar products are found below :

[DEV-17119](#) [SEN-16474](#) [COM-11450](#) [BOB-00495](#) [BOB-00497](#) [PRT-08619](#) [PRT-12702](#) [SEN-13582](#) [TOL-11468](#) [ROB-09065](#) [COM-12999](#)
[COM-12986](#) [COM-11120](#) [ROB-11965](#) [COM-11222](#) [PRT-12845](#) [CAB-13685](#) [PRT-10210](#) [PRT-14490](#) [TOL-10603](#) [COM-09278](#) [PRT-08023](#)
[COM-08033](#) [DEV-14052](#) [PRT-00111](#) [PRT-08432](#) [TOL-09317](#) [TOL-10997](#) [PRT-00743](#) [PRT-14492](#) [TOL-14228](#) [COM-13247](#) [PRT-11026](#)
[CAB-10646](#) [TOL-08964](#) [PRT-00116](#) [PRT-08506](#) [CAB-09741](#) [COM-10800](#) [SEN-14282](#) [DEV-14012](#) [CAB-14043](#) [COM-14452](#) [TOL-14508](#)
[DEV-13814](#) [GPS-00574](#) [PRT-14417](#) [PRT-08231](#) [COM-09939](#) [PRT-13839](#)