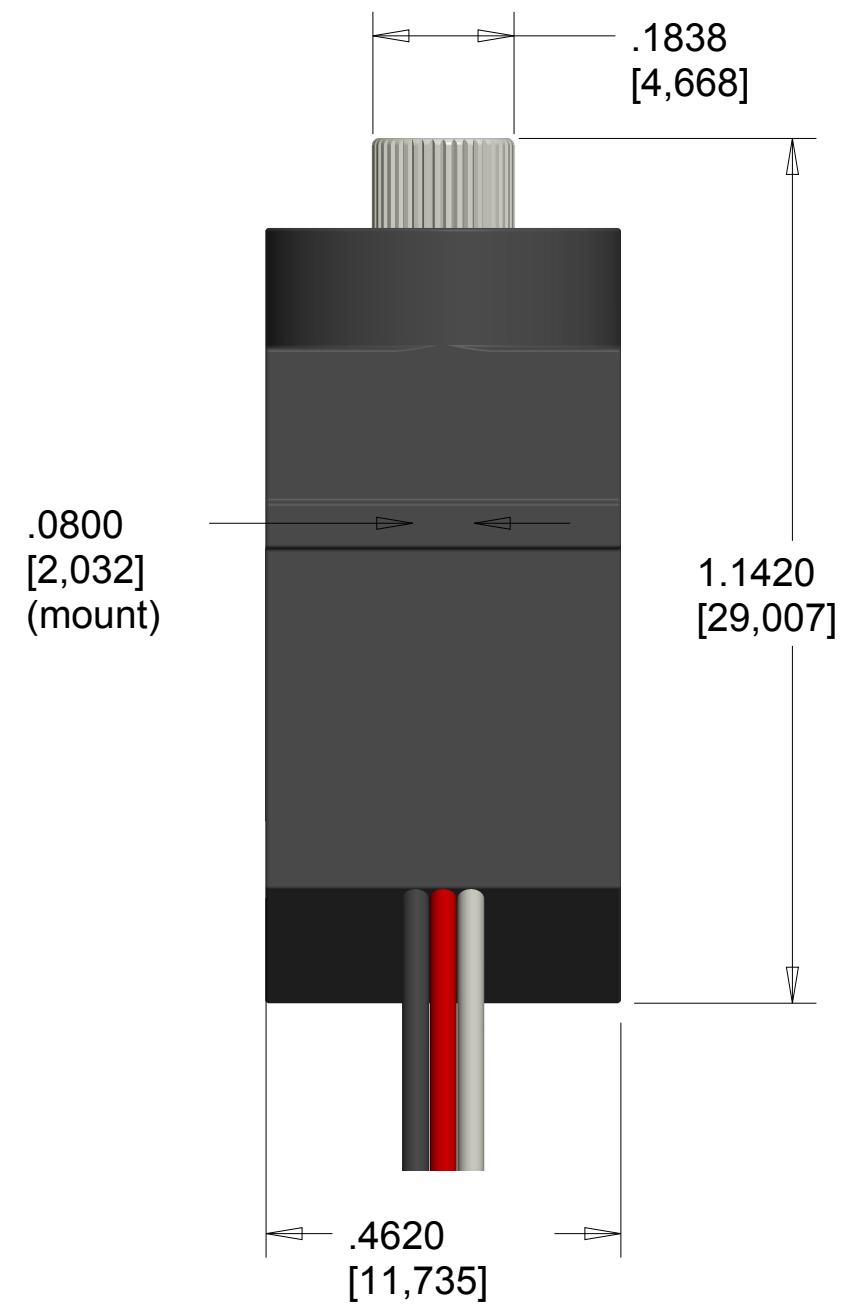
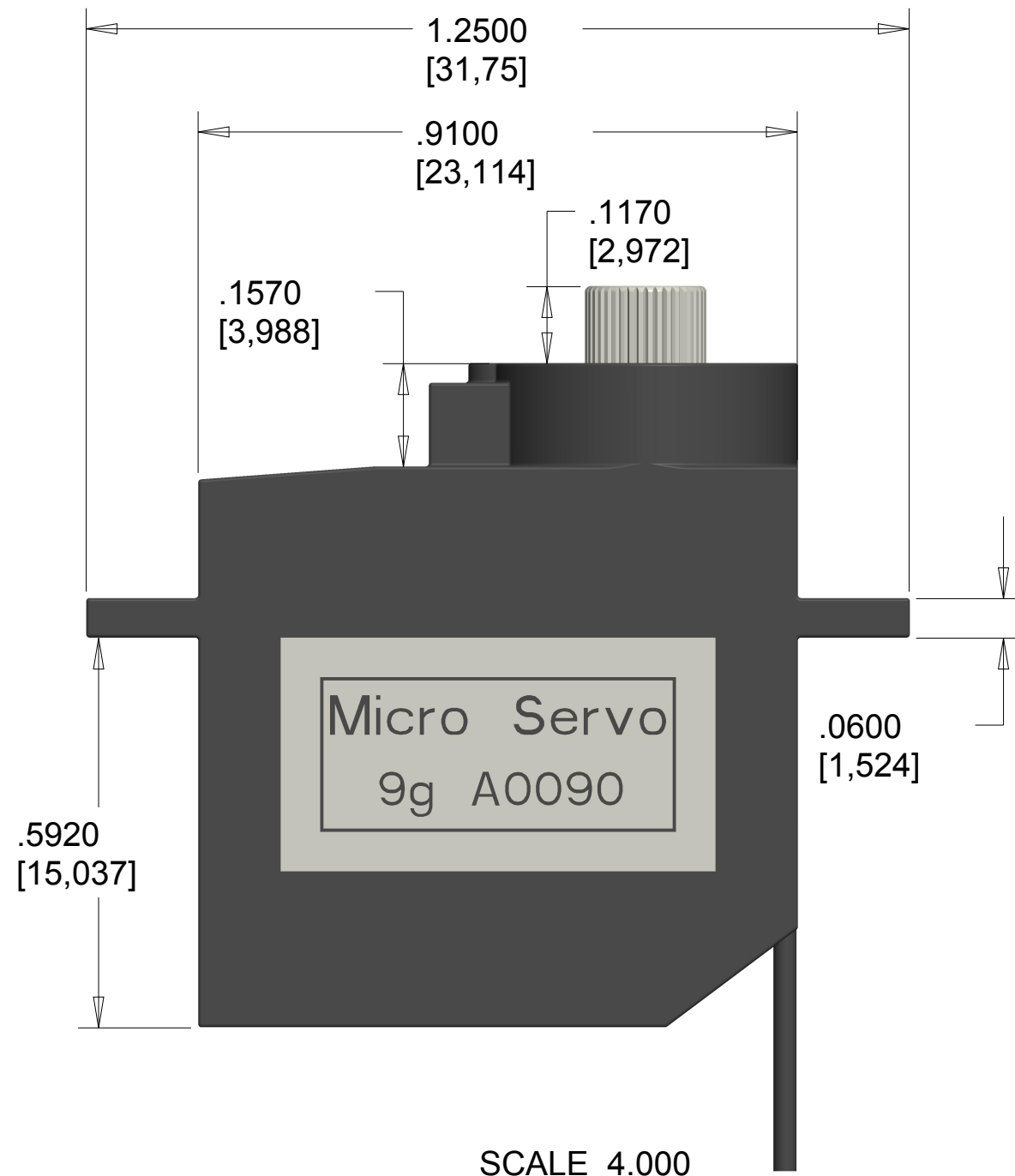
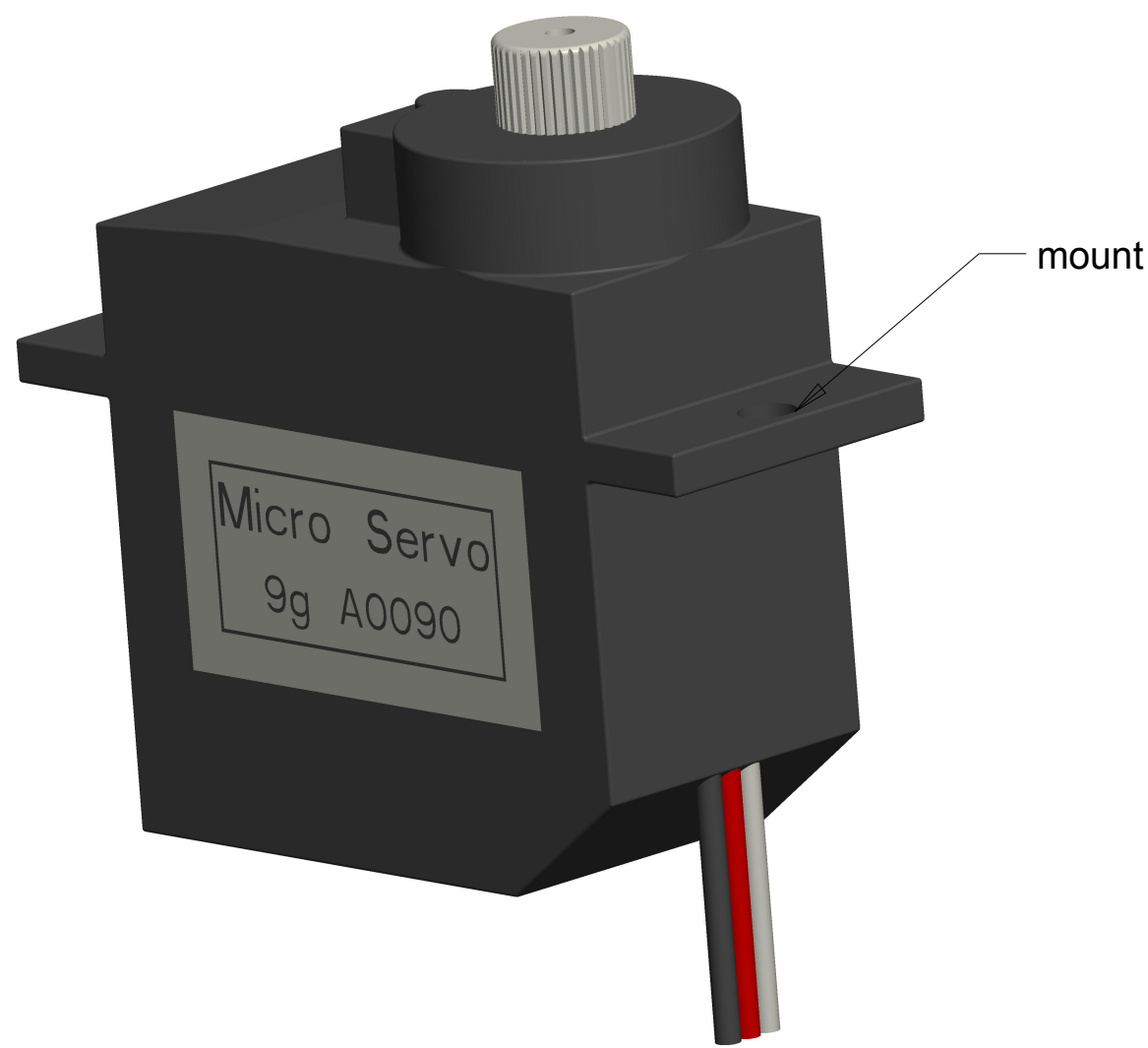


4

3

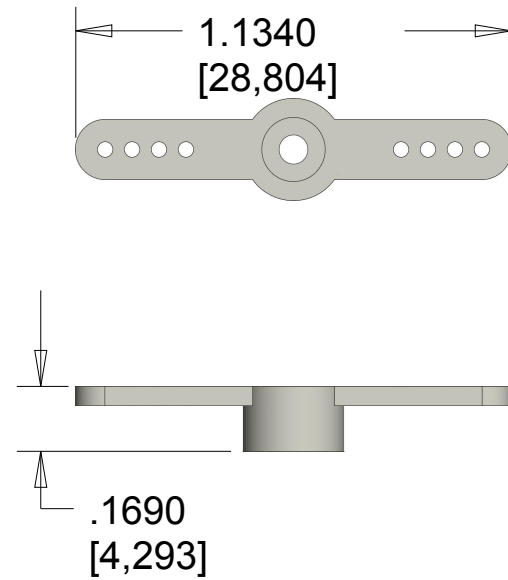
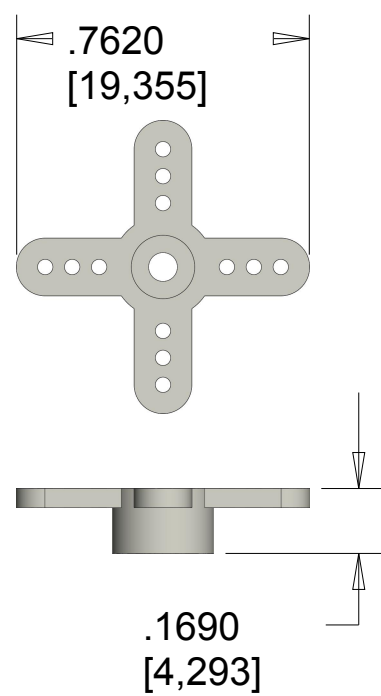
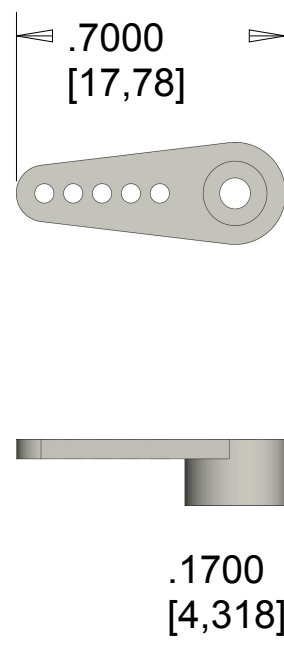
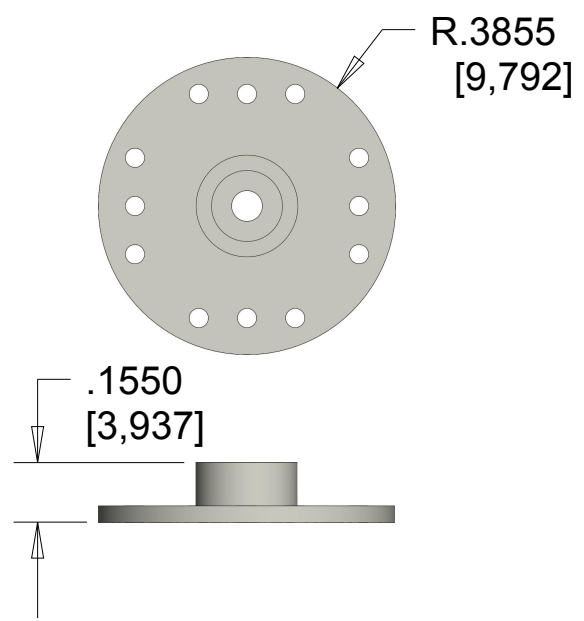
2

1



SCALE 2.000

SCALE 4.000



- Features —
- Voltage: 4.8-6.0 Volts
 - Torque: 16.6/20.8 oz-in. (4.8/6.0V)
 - Speed: 0.15/0.10 sec/60° (4.8/6.0V)
 - Rotation: ~160°
 - Single Top Ball Bearing
 - Nylon Gears
 - 3-Pole Ferrite Motor

- Includes —
- 1x Micro Servo
 - 1x Single Arm Micro Horn
 - 1x Double Arm Micro Horn
 - 1x Four Point Micro Horn
 - 1x Circle Micro Horn
 - 2x 2x8mm Phillips Screw

This servo is rated for 180° rotation, but in actuality it only hits ~160°	MATERIAL:	Plastic + Metal	MODEL NAME:	Servo - Small
	Here is a simple, low-cost, high quality servo for all your mechatronic needs. This servo is very similar in size and specifications to the Hitec HS-55. This little guy is able to take in 6 volts and deliver 20.8 oz-in. of maximum torque at 0.10 sec/60° This small servo comes with a standard 3 pin power and control cable.		https://www.sparkfun.com/products/9065	
NOTES:	DESCRIPTION:		ROB-09065	
	DRAWN BY:	Paul Smith	PAGE SIZE C 22 x 17 INCH	
	DATE:	16 July 2013	SCALE: variable	
	CAD APPLICATION:	Creo Parametric 2.0	UNITS: inch [mm]	VER: 1.0
				SHEET 1 / 1

4

3

2

1

X-ON Electronics

Largest Supplier of Electrical and Electronic Components

Click to view similar products for [SparkFun Accessories](#) category:

Click to view products by [SparkFun](#) manufacturer:

Other Similar products are found below :

[DEV-17119](#) [SEN-16474](#) [COM-11450](#) [BOB-00495](#) [BOB-00497](#) [PRT-08619](#) [PRT-12702](#) [SEN-13582](#) [TOL-11468](#) [ROB-09065](#) [COM-12999](#)
[COM-12986](#) [COM-11120](#) [ROB-11965](#) [COM-11222](#) [PRT-12845](#) [CAB-13685](#) [PRT-10210](#) [PRT-14490](#) [TOL-10603](#) [COM-09278](#) [PRT-08023](#)
[COM-08033](#) [DEV-14052](#) [PRT-00111](#) [PRT-08432](#) [TOL-09317](#) [TOL-10997](#) [PRT-00743](#) [PRT-14492](#) [TOL-14228](#) [COM-13247](#) [PRT-11026](#)
[CAB-10646](#) [TOL-08964](#) [PRT-00116](#) [PRT-08506](#) [CAB-09741](#) [COM-10800](#) [SEN-14282](#) [DEV-14012](#) [CAB-14043](#) [COM-14452](#) [TOL-14508](#)
[DEV-13814](#) [GPS-00574](#) [PRT-14417](#) [PRT-08231](#) [COM-09939](#) [PRT-13839](#)