

CONTROL SIGNATURE:

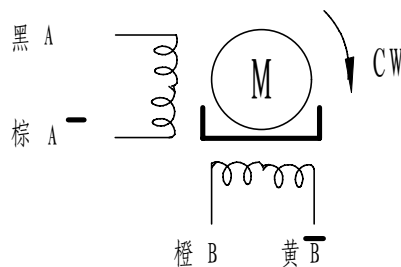
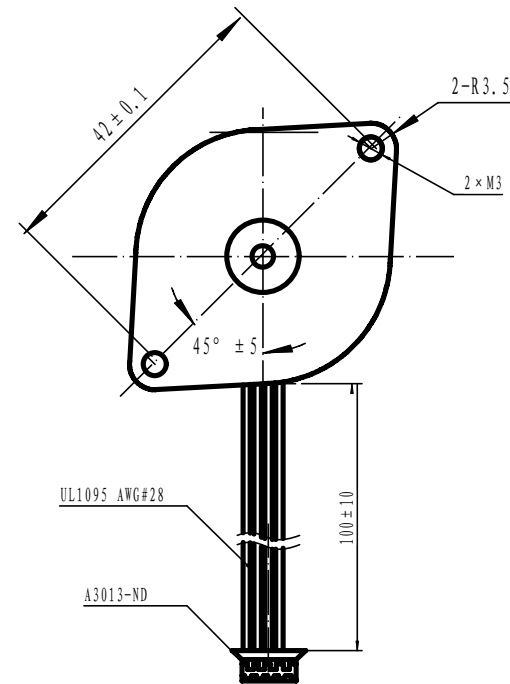
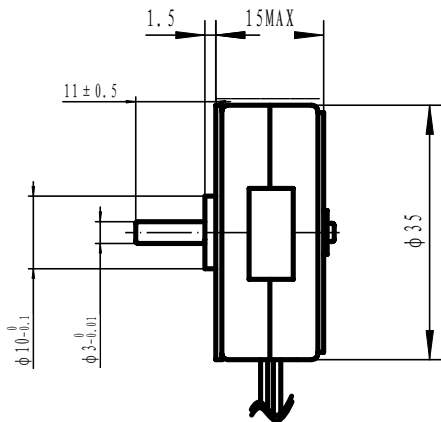
THE INFORMATION CONTAINED IN THIS DRAWING IS CONFIDENTIAL. COPYRIGHT

2-2 Pole Excitation Order

Lead Wire Color	Terminal Code	1	2	3	4
Black	1	-	-		
Orange	3		-	-	
Brown	2			-	-
Yellow	4	-			-

Specification

1. Rated Voltage	12VDC
2. Number of Pole	4
3. Stride Angle	7.5°
4. Drive Mode	2-2 Single Pole
5. DC Resistance	4Ω/phase±10%(25°C)
6. Current	400mA
7. Max Start Frequency	≥650PPS
8. Max Idle Out-traction Frequency	≥1600PPS
9. In-traction Torque	≥100gf.cm(200PPS)
10. Self-positioning Torque	≤100gf.cmREF
11. Induction Resistance	3.5H/Phase±10%(1KHz 1Vrms)
12. Insulation Grade	A



REV.	EPO#	DETAILS	DATE
A		1ST ISSUE	11512

SCALE	UNIT	UNSPECIFIED TOLERANCE:	
	mm		
DRAWN XUHEZHAO	SIZE	MERCURY MOTOR	
	A4		
	20110428	MATERIAL	TITLE
CHECKED			ST-PM35-15-11C
APPROVED		FINISH	SHEET 1 OF 1 REV A
			DWG.NO. ST-PM35-15-20110508#

X-ON Electronics

Largest Supplier of Electrical and Electronic Components

Click to view similar products for [Stepper Motors](#) category:

Click to view products by [SparkFun](#) manufacturer:

Other Similar products are found below :

[HT17-275](#) [5014-020](#) [82924041](#) [82924036](#) [82914016](#) [80910502](#) [80910501](#) [80910003](#) [HT23-598](#) [HT08-221](#) [902-0135-000](#) [MS11HS3P4067-09RL](#) [MS17HD6P4200-24RL](#) [MS11HS5P4150-13RL](#) [MS08HY1P4050-09RL](#) [MS08HY3P4050-02RL](#) [ML24HCAL3550-01RL](#) [MS17HD6P4100-16RL](#) [ML23HS8P4220-16RL](#) [MS17HD2P4200-20RL](#) [ML23HSAL4500-E](#) [MS14HS5P4100-03RL](#) [MS17HD2P4100-27RL](#) [MS14HS1P4100-09RL](#) [MS11HS1P4100-25RL](#) [ML23HSAP4300-18RL](#) [ML23HS4P4100-02RL](#) [PL23HS8L4550-05RL](#) [MS17HD4P4150-22RL](#) [PM42S-048-HHC8](#) [PM20L-020-HHC3](#) [PM42L-048-HHC9](#) [82930002](#) [HT34-504](#) [82910003](#) [STEPPER MOTOR: BIPOLAR, 200 STEPS/REV](#) [103H7126-0440](#) [103H8223-5141](#) [103H8223-6340](#) [103H7126-0740](#) [103H7126-5840](#) [103H8221-6240](#) [103H7126-5740](#) [103H7822-5740](#) [103H7823-5740](#) [103H8222-6340](#) [STEPPER MOTOR BIPOLAR 42X38MM 2.8V 1.7A](#) [SY20STH30-0604A](#) [STEPPER MOTOR: UNIPOLAR/BIPOLAR 57Å—56MM](#) [ROB-10551](#)