

TFmini Infrared Module Specification



Benewake (Beijing) Co. Ltd.

www.benewake.com

Preface

Dear users:

Hello! Thank you for choosing the products from Benewake (Beijing) Co. Ltd.

The manual is prepared to help you to use correctly our company's products. Before you install and use this product in the first time, please be sure to carefully read the information attached with the product, which will help you to use the product better. If you have read this manual fully, we recommend that you keep this manual in a safe position for future use.

For any other problem occurred during use, please contact our technical supports or after-sales services; we will try our efforts to help you solve any problem on product use. For any suggestions or comments on the product use, please submit your feedback to us on the community of our official website (www.benewake.com), we will focus on each user recommendations.

This is Benewake (Beijing) Co. Ltd.; we are committed to producing the best "Robotic Eyes" in the world, and we adhere to the "Customer Experience Based" concept.

Table of Contents

1.	Main Product Characteristics	4
2.	Optical Principle	4
3.	Electrical Characteristics	5
4.	Optical Characteristics	5
5.	Measurement Range and Acceptance Angle	5
6.	Serial Port Data Communication Protocol and Line Sequence	7
6.1	Standard Data Format of Serial Port	7
6.2	Line sequence description	8
7.	Interface Description of Serial Port Upper Computer	8
8.	Product Size Specifications	9
9.	Application Notice	10

1. Main Product Characteristics

This product is based on ToF (Time of Flight) principle and integrated with unique optical and electrical designs, so as to achieve stable, precise, high sensitivity and high-speed distance detection.

Product Name	TFmini
Operating range	0.3m-12m
Maximum operating range at 10% reflectivity	5m
Average power consumption	0.12W
Applicable voltage range	4.5V-6V
Acceptance angle	2.3°
Minimum resolution ratio	5mm
Test frequency	100Hz
Test accuracy	1% (less than 6m), 2% (6m-12m)
Distance detection unit	mm
Operating center wavelength	850nm
Size	42mm×15mm×16mm
Operating temperature	-20°C-60°C
Anti-ambient light	70,000lux
Weight	6.1g
Communication interface	UART
Main applications	Drone altitude holding and terrain following Machine control and safety sensor Robot distance detection

Table 1 Product characteristics and applications

2. Optical Principle

ToF is the abbreviation of Time of Flight technology, and its operating principle is as follows: a modulated near-infrared light is sent from the sensor and reflected by an object; the distance to the object to be shot can be

converted with the sensor by calculating the time difference or phase difference between the light sending and the light reflection, so as to produce the depth information.



Fig. 1 TF_mini optical simulation of the optical path

3. Electrical Characteristics

Item	Symbol	Typical value	Unit
Input voltage	DC	5	V
Average power	P	≤120	mW
LED peak current	I _{max}	800	mA
Serial port TTL voltage level	V _{TTL}	3.3	V

Table 2 TF_mini electrical characteristics

4. Optical Characteristics

Parameter	Symbol	Condition or description	Typical value	Unit
Signal acceptance angle	β		2.3	Degree
Resolving power	De	Minimum object size that can be detected at the distance of 2m	20	mm
Resolution ratio	Re	Sensitivity to distance change	5	mm
Operating center wavelength	λ		850	nm

Table 3 Optical characteristics

5. Measurement Range and Acceptance Angle

TF_mini measurement range

Indoor conditions:

The object to be detected has 90% reflectivity and the effective detection distance is 12m;

The object to be detected has 10% reflectivity and the effective detection distance is 5m;

Outside conditions:

Under the general sunshine condition (with illumination of lower than 70klux), the effective detection distance is 7m;

Under the high sunshine condition in summer (with illumination of above 100klux) or the condition with outdoor black background board, the effective detection distance is 3m.

Note: All distance parameters are set under the opposite direction with the object to be detected.

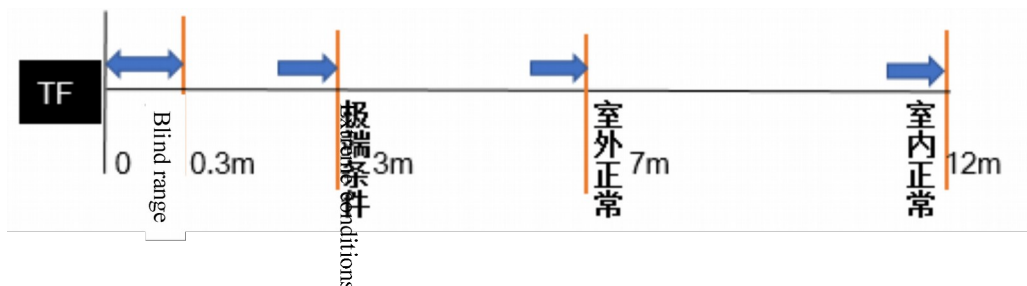


Fig. 2 Measurement range schematic diagram

TF_mini acceptance angle

The product has an acceptance angle of 2.3°, which determines the side lengths of different detection ranges of LiDAR (the detection range is similar to a square shape).

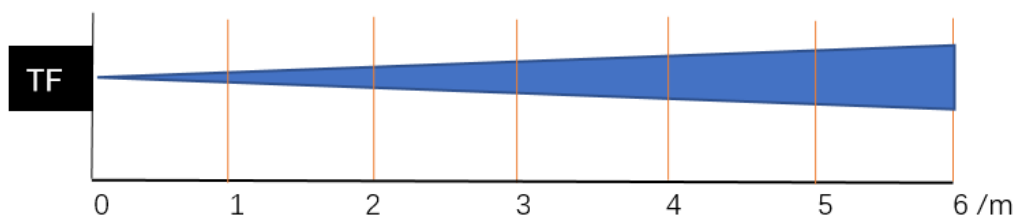


Fig. 3 Detection range (acceptance angle) schematic diagram

Distance/m	1	2	3	4	5	6
Detection range side length/mm	40	80	120	160	200	240

Table 4 Relationship between detection range and distance

Description: The distance in the table represents the vertical length between the detection object and the sensor, expressed in meters; the side length of detection range is expressed in millimeters. In general, only if the side length of the object to be detected is more than the detection range side length, the output data from LiDAR can be trusted; if the side length of the object to be detected is less than the detection range side length, the output data of LiDAR may be fluctuated and the error may be increased.

Note: The detection range side length is not equal to the object resolution ratio at the corresponding distance.

6. Serial Port Data Communication Protocol and Line Sequence

The following section describes the connections and communications between TF_mini and external devices, including the encoding format of the sending data, the communication protocol between the module and the external devices, the hardware line connection indications, and the related precautions.

Communication protocol	UART
Baud rate	115200
Data bit	8
Stop bit	1
Parity bit	0

Table 5 External communications

1 6.1 Standard Data Format of Serial Port

The module data is a hexadecimal output data; each frame data is encoded with 9 bytes, including 1 distance data (Dist); each distance data has corresponding signal strength information (Strength); the frame end is the data parity bit.

Byte1-2	Byte3	Byte4	Byte5	Byte6	Byte7	Byte8	Byte9
0x59 59	Dist_L	Dist_H	Strength_L	Strength_H	Reserved	Raw.Qual	CheckSum_L

Data encoding interpretation

Byte1	0x59, frame header, all frames are the same
Byte2	0x59, frame header, all frames are the same
Byte3	Dist_L distance value is a low 8-bit. Note: The distance value is a hexadecimal value, for example, Distance 1,000cm = 03 E8 (HEX)
Byte4	Dist_H distance value is a high 8-bit.
Byte5	Strength_L is a low 8-bit.
Byte6	Strength_H is a high 8-bit.
Byte7	Reserved bytes.
Byte8	Original signal quality degree.

Byte9	Checksum parity bit is a low 8-bit, $\text{Checksum} = \text{Byte1} + \text{Byte2} + \dots + \text{Byte8}$, Checksum is the sum of the first 8 bytes of actual data; here is only a low 8-bit.
--------------	---

Table 6 Data encoding format and detailed description

2 6.2 Line sequence description

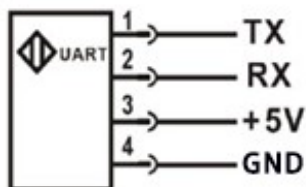


Fig. 4 TF_mini line sequence description

TFmini line sequence is shown in “TF_mini line sequence description” in Fig. 4; generally, there are provided with the wiring terminals, among which, the green line corresponds to TX, the white line corresponds to RX, the red line corresponds to +5V, and the black line corresponds to GND.

7. Interface Description of Serial Port Upper Computer

The upper computer is currently supported with the windows system and applied for TF series of products output from Benewake (Beijing) Co. Ltd. in accordance with the serial communication protocol; the specific operations are detailed as below.

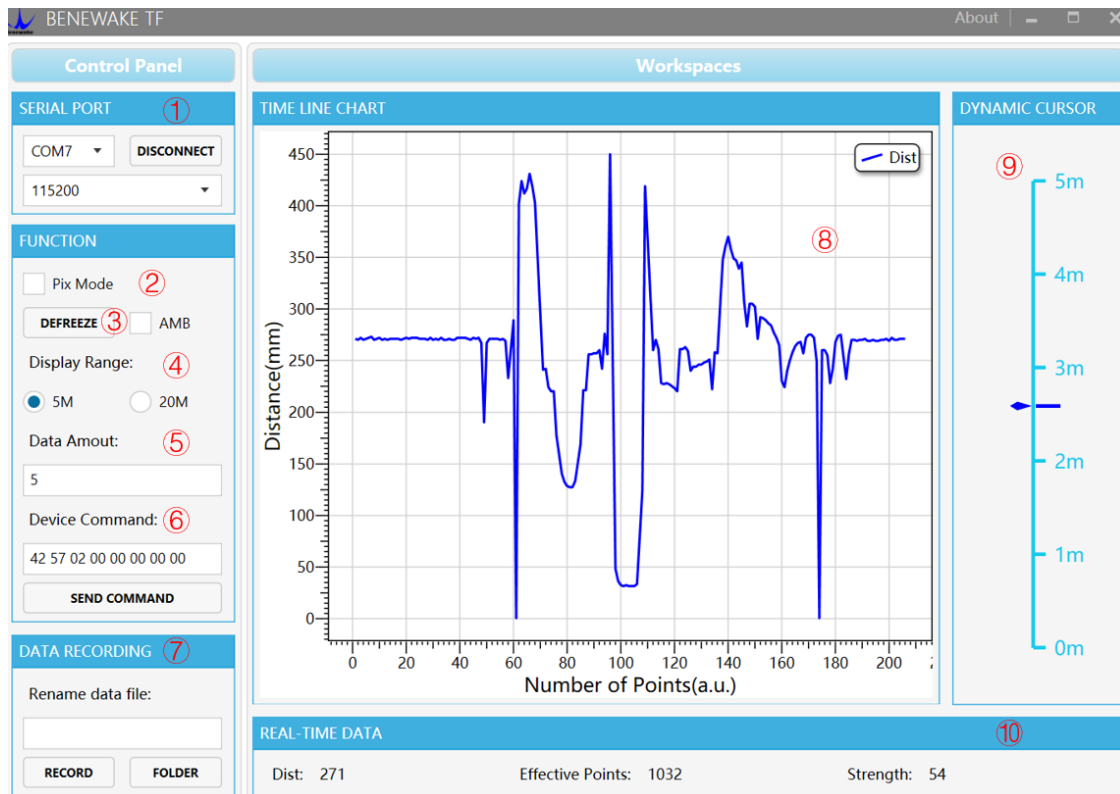


Fig. 5 Client Interface of Distance Measurement Demonstration in Windows

- ① Serial transmission port and baud rate selections: Plug in TTL-USB adapter plate, select the corresponding port number and baud rate, and click the “CONNECT” button to establish the connection;
- ② Mode selection: It is the special mode specified for Pix version of TF01 and TF02 products, which is not provided on TF_mini;
- ③ Pause button: Click it to pause the upper computer for analysis on the images in ⑧; “AMB” is used for the internal debugging under special cases and cannot be set in any case;
- ④ Measurement range area selection: Click 5m or 20m, the range scale in area ⑨ will be adjusted to the corresponding value.
- ⑤ Data average: The default value is 5; that is, the values of every 5 points accepted by the upper computer are averaged and output at a point value. After modified, the command will be sent with “Enter” key on the keyboard;
- ⑥ Serial port command sending area: This window is used to send hexadecimal TF serial port command and modify or set the function;
- ⑦ Data recording bar. This text window is used to name the data to be saved; after the name is input, press “Enter” key to record TF data by clicking “RECORD” button and end the record by clicking the button again; the folder with saved data can be opened by clicking “FOLDER” button;
- ⑧ Data image display area: the upper computer can draw a continuous ranging image with the received data;
- ⑨ Measurement range scale: Display the real-time detection distance value;
- ⑩ Data display area: Dist indicates the distance detection value in mm; EffectivePoint indicates the total effective data output by TF; Strength indicates the signal strength, under the pix mode, Strength is defaulted as 0 because there is no strength input.

8. Product Size Specifications

The following is the module outline size drawing.

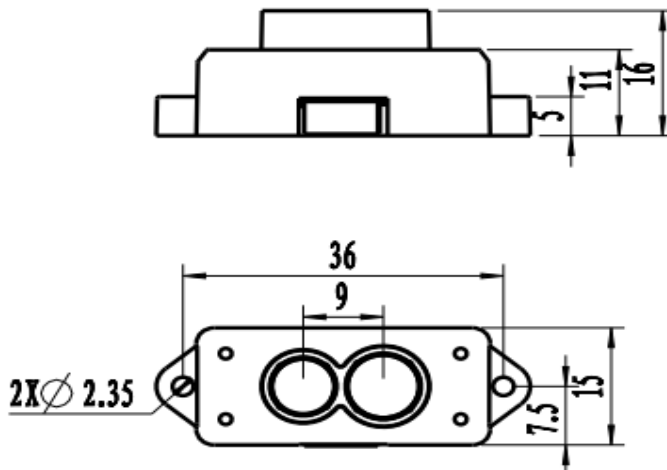


Fig. 6 TF_mini left module size drawing (unit: mm)

9. Application Notice

- This product is a custom precision optical instrument and must be maintained by our engineers.
- Prevent dust or any other foreign matter from entering the lens; otherwise it may affect the light transmission.

X-ON Electronics

Largest Supplier of Electrical and Electronic Components

Click to view similar products for [Distance Sensor Development Tool](#) category:

Click to view products by [SparkFun](#) manufacturer:

Other Similar products are found below :

[SEN0004](#) [MIKROE-2509](#) [172](#) [DFR0315](#) [SEN0006](#) [SEN0007](#) [SEN0008](#) [SEN0187](#) [SEN0202](#) [SEN0208](#) [DM160234](#) [SEN0143](#) [SEN-13968](#)
[3316](#) [SEN-08504](#) [SEN-08502](#) [DFR0445](#) [3317](#) [984](#) [SEN0014](#) [SEN0001](#) [SEN0171](#) [3942](#) [979](#) [981](#) [982](#) [985](#) [TMF8701-DB](#) [TMF8801-DB](#)
[TMF8801-EVM](#) [AD8283CP-EBZ](#) [AD8285CP-EBZ](#) [ADUX1020-EVAL-SDP](#) [SEN0245](#) [EVALBGT24LTR22TOBO1](#) [DM160238](#) [MIKROE-](#)
[3339](#) [MIKROE-3439](#) [MIKROE-1589](#) [MIKROE-1991](#) [MIKROE-2086](#) [MIKROE-3103](#) [SECO-RANGEFINDER-GEVK](#) [PIM058](#) [PIM062](#)
[PIM373](#) [101020083](#) [101020353](#) [101020532](#) [101020617](#)