



## AS-108M Fingerprint Sensor Module Datasheet

We are dedicated to developing sensing technology, and providing customers with an innovative and diverse range of sensor products.

Our sensors and state-of-the-art fingerprint recognition algorithm technologies provide advanced and convenient fingerprint acquisition and verification.

## [DESCRIPTION]

The AS-108M fingerprint sensor module consists of HF-108 fingerprint sensor and MCU stalled with algorithm mainly. The module provides one UART interface output port for connecting to a main board of device.

The operation processes of AS-108M's sensor (HF-108) are as follows, a fingerprint image captured by pixel array, delivery fingerprint ridge/valley signals to A/D converter and digital processor, then to the serial peripheral interface for data-reading. Because MCU has been already installed with fingerprint algorithm, the user can use MCU SOC commands through UART interface for operating module, such as fingerprint enrollment, fingerprint match etc.

## [FEATURES]

- *160x160 pixels*
- *Build-in ADC for digitizing image*
- *UART interface*
- *Data encryption*
- *Short read out time*
- *Cost effective sensor*
- *High sensing capability*
- *Single power supply*

## [APPLICATIONS]

- *Door lock*
- *Security device*
- *Access control system*

---

## Table of Contents

<b>1</b>	<b>Electrical Characteristics</b> .....	<b>4</b>
1.1	Maximum rating .....	4
1.2	Operation condition .....	4
<b>2</b>	<b>Specification</b> .....	<b>5</b>
<b>3</b>	<b>Mechanical Specification</b> .....	<b>6</b>
3.1	Connector Pin Description .....	6
3.2	Connector Information .....	7
3.3	Package size .....	8
3.4	Outline Reference .....	9
<b>4</b>	<b>SDK Guide</b> .....	<b>10</b>
4.1	UART setting .....	10
4.2	Initial time .....	10
4.3	Command protocol .....	10
4.4	Hardware connection .....	10
<b>5</b>	<b>Revision history</b> .....	<b>11</b>

## 1 Electrical Characteristics

### 1.1 Maximum rating

Symbol	Parameter	Conditions	Value	Unit
VDD	Supply voltage		4	V
TA	Operating temperature		-40 to 80	°C
ST	Storage temperature		-40 to 125	°C

### 1.2 Operation condition

Symbol	Parameter	Conditions	Min.	Typ	Max	Unit
VDD	Supply voltage		2.8	3.3	3.6	V
IDD	Total supply current	Capture mode			35	mA
IDD	Supply current	Standby mode	—	—	18	mA
ESDKV	ESD protection	Air mode	—	±15	—	kV

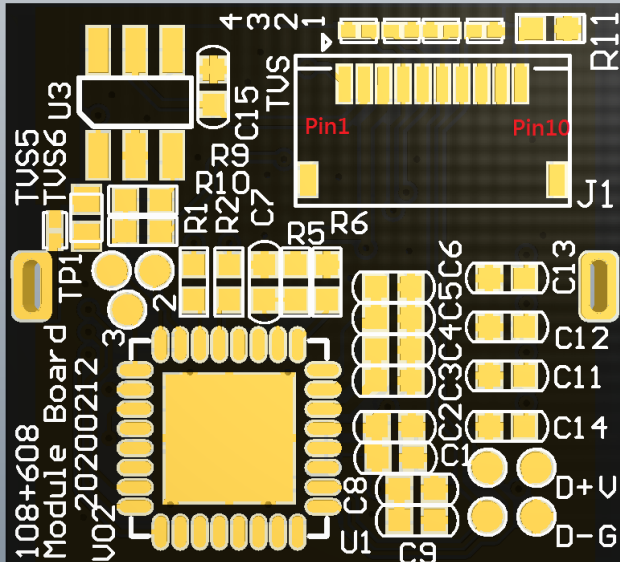
Note : The ESD criteria is to pass internal final test criteria after ESD testing.

## 2 Specification

Item	Value
Image resolution	508dpi
Sensing area	8mm x 8mm
Sensing array	160 x 160 pixels
Package size	15.8mm x 14.5mm x 3 mm(H)
Gray Level	8 bits/pixels ,256 gray scales
Recognition Time	1:N , < 0.6 second
Template capacity	100
FRR(False Rejection Rate)	1.5%
FAR(False Acceptance Rate)	<0.01‰
Interface	UART (57600,8,N,2) / TTL level
Supply voltage	3.3V
Total supply current	35mA
Operating Humidity	0 - 95% , Non-condense
Operating temperature	-40 to +80 °C
ESD protection for air discharging	15kV

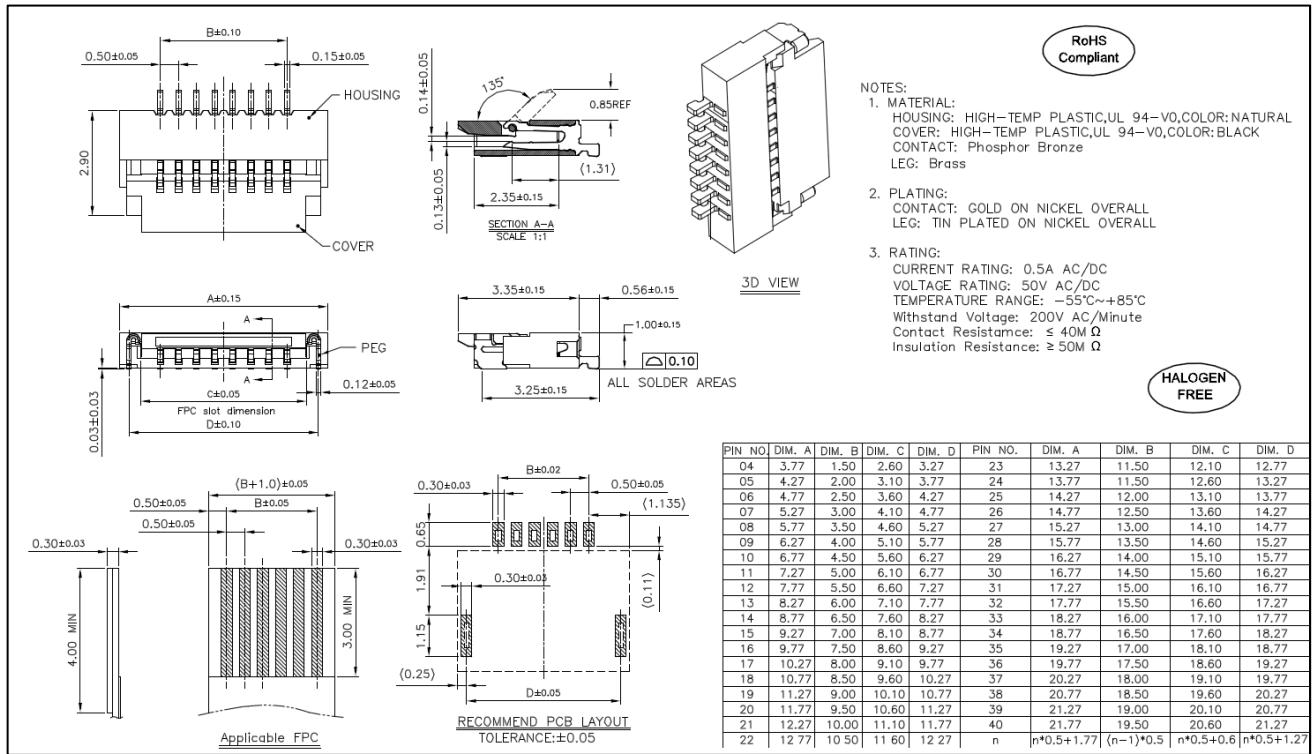
### 3 Mechanical Specification

#### 3.1 Connector Pin Description

Pin Order	Pin Name	Type	Pin Description	
1	Touch_Out	Output	Touch signal output. Active output high.	<p style="text-align: center;"><b>Bottom View</b></p> 
2	Touch_VCC	Power In	Module Touch function power input pin. Supply 3.3V	
3	VDD	Power In	Module power input pin. Supply 3.3V	
4	UART_TX	Output	Module UART transmission pin.	
5	UART_RX	Input	Module UART reception pin.	
6	USBDN	I/O	USBD-	
7	USBDP	I/O	USBD+	
8	GND	Ground	Module system ground.	
9	GND	Ground	Module system ground.	
10	ESD_GND	Ground	Module system ground for ESD path. Connect to ground	

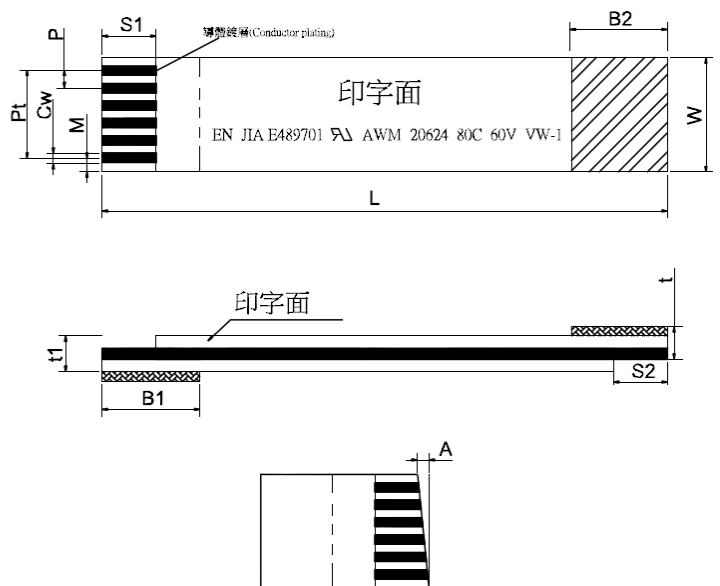
### 3.2 Connector Information

Connector model: 10 pin, pitch 0.5mm FPC connector



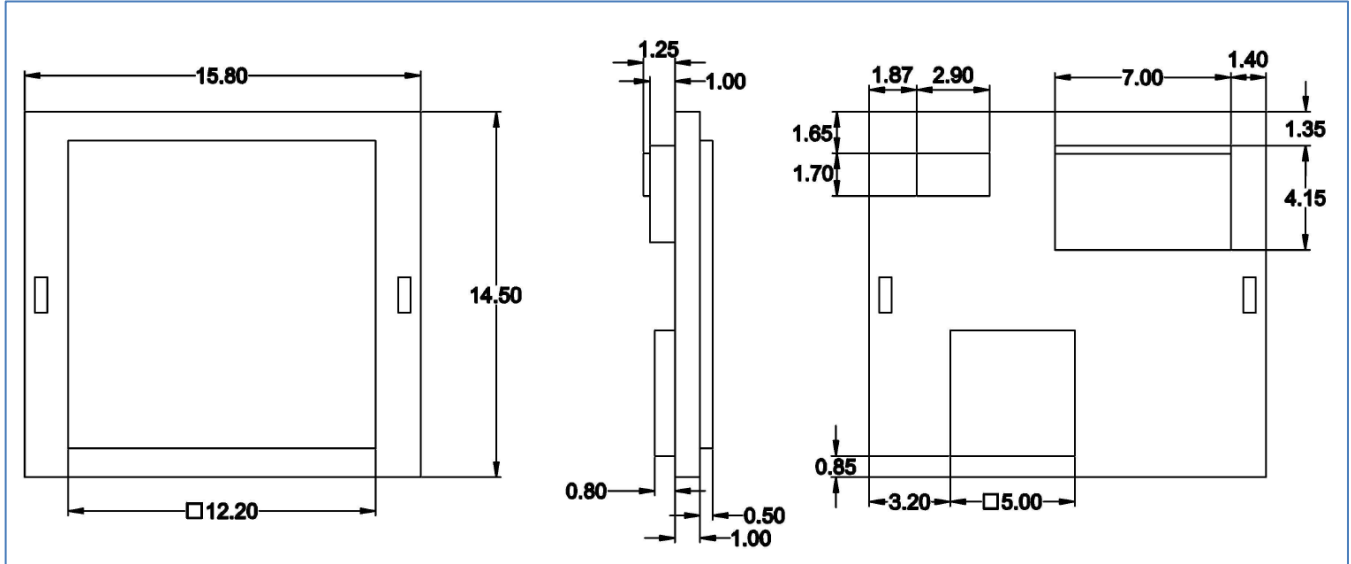
#### FPC cable recommend

項目(Item)	規格值(Specification)	
導體芯數 (NO. of conductors)	N	xx
間距(Pitch)	P	0.5±0.05
全間距(Full Pitch)	PT	P*(N-1) (±0.1)
總長度(Full Length)	L	xxxx
絕緣長度(Insulation Length)	IL	L-S1-S2
邊緣寬度(Margin Width)	M	0.5±0.05
總寬度(Full width)	W	P*(N+1) (±0.1)
線口長度(Strip Length)	S1	2±1
線口長度(Strip Length)	S2	2±1
補強板長度(Reinforeing tape length)	B1	4±1
補強板長度(Reinforeing tape length)	B2	4±1
線口傾斜度(Slanting)	A	≤0.3
沖孔(Over lap)	A1	≤0.5
插入厚度(Terminal thickness)	t	0.30±0.05
線身厚度(Thickness insulation)	t1	0.12±0.02
導體厚度(Conductor thickness)	Ct	0.035±0.005
導體寬度(Conductor width)	Cw	0.3±0.05
補強板顏色(Supporting Tape Color)		藍色(Blue)
補強板規格(PET(Supporting Tape Color))		0.225mm
絕緣膠規格(PET(Insulation))-印字		0.043mm
絕緣膠規格(PET(Insulation))-白色		0.043mm
導體鍍層(Conductor plating)		鍍錫(Tin Plating)

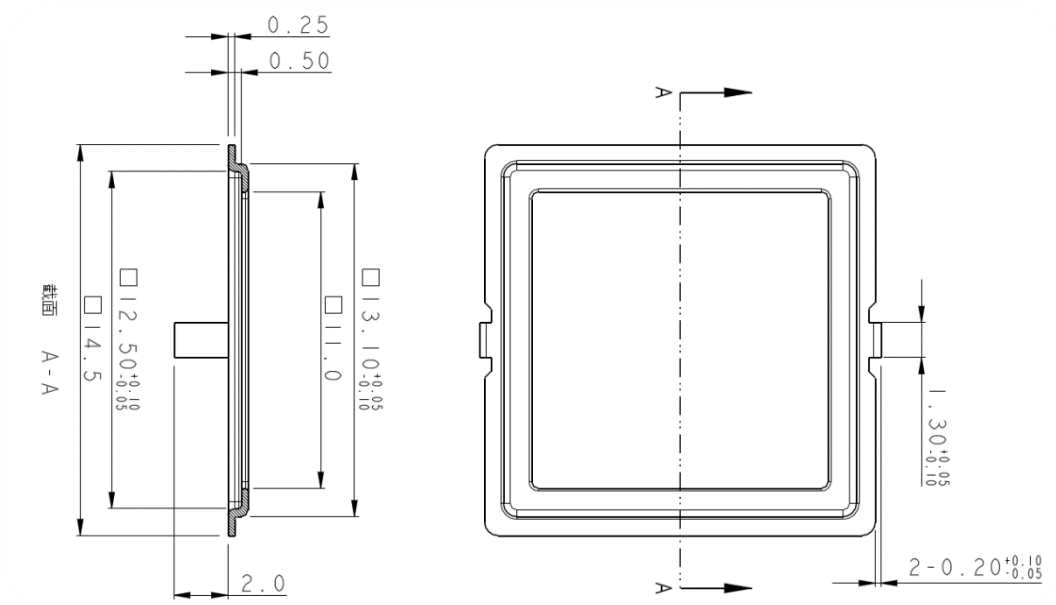


### 3.3 Package size

#### Fingerprint module size



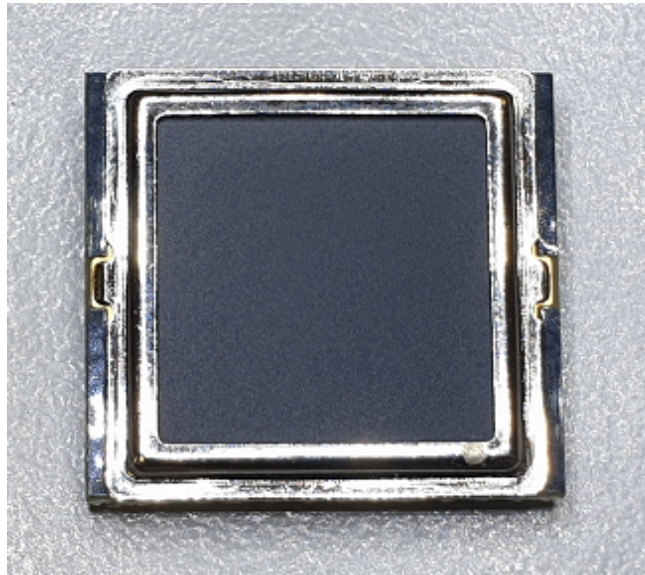
#### Fingerprint sensor bezel size



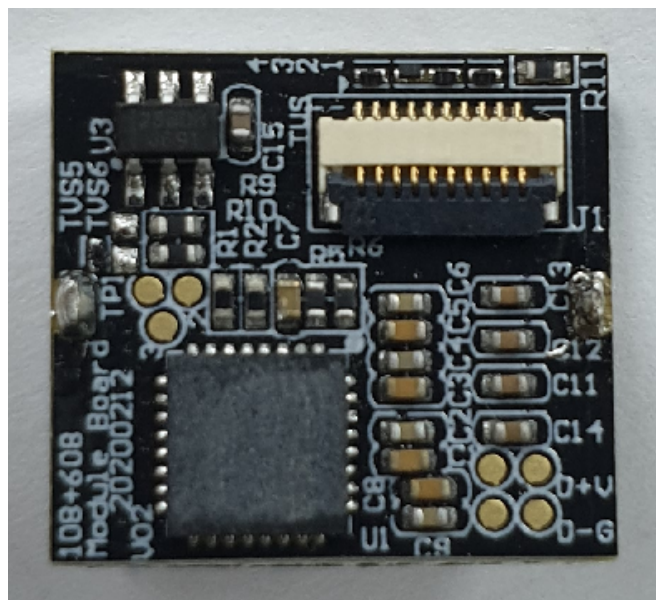


### 3.4 Outline Reference

<Top view>



<Bottom view>



## 4 SDK Guide

### 4.1 UART setting

UART default baud rate : 57600

Data format: 8 bits of data, No parity, 2 stop bits

### 4.2 Initial time

After VDD 3.3v Power on, the module initial time is about 100ms.

Module will send 0x55 data to Host by UART TX after initial finished.

The module would not response Host command at initial time.

### 4.3 Command protocol

Please refer the Protocol User Manual document.

### 4.4 Hardware connection

Pin 1: Touch function output signal, when finger is on module's sensor would be High signal. The Pin1 connects to the main board's MCU GPIO pin to receive signal. When Host MCU gets the signal that means someone touches and wants to wake up module, and then supply 3.3V to pin3 of fingerprint module.

Pin 2: Touch function power, always supply 3.3V.

Pin 3: Supply 3.3V when you want to using fingerprint module function. After finishing all fingerprint functions, then turn off 3.3V to save power

Pin 4: Connect to Host MCU UART\_RX pin

Pin 5: Connect to Host MCU UART\_TX pin

Pin 6: Reserved

Pin 7: Reserved

Pin 8~10: Connect to main board ground.

## 5 Revision history

Version	Date	Changes	Approved	Checked	Author
V1.0	2019/12/19	Initial draft	Angus Chou	Hyde Wu	Hyde Wu
V1.1	2020/03/09	Add connector info and size modify	Angus Chou	Hyde Wu	Hyde Wu

## X-ON Electronics

Largest Supplier of Electrical and Electronic Components

*Click to view similar products for [Fingerprint Sensor Modules](#) category:*

*Click to view products by [SparkFun](#) manufacturer:*

Other Similar products are found below :

[SEN-14518](#) [SEN0188](#) [4651](#) [4690](#) [751](#) [UTC-510P-F01E](#) [100018754](#) [T9-9](#) [MIKROE-4347](#) [MIKROE-1722](#) [101020057](#) [101020713](#) [29126](#)  
[SEN0348](#) [SEN-14585](#) [SEN-15338](#) [SEN-17151](#)