

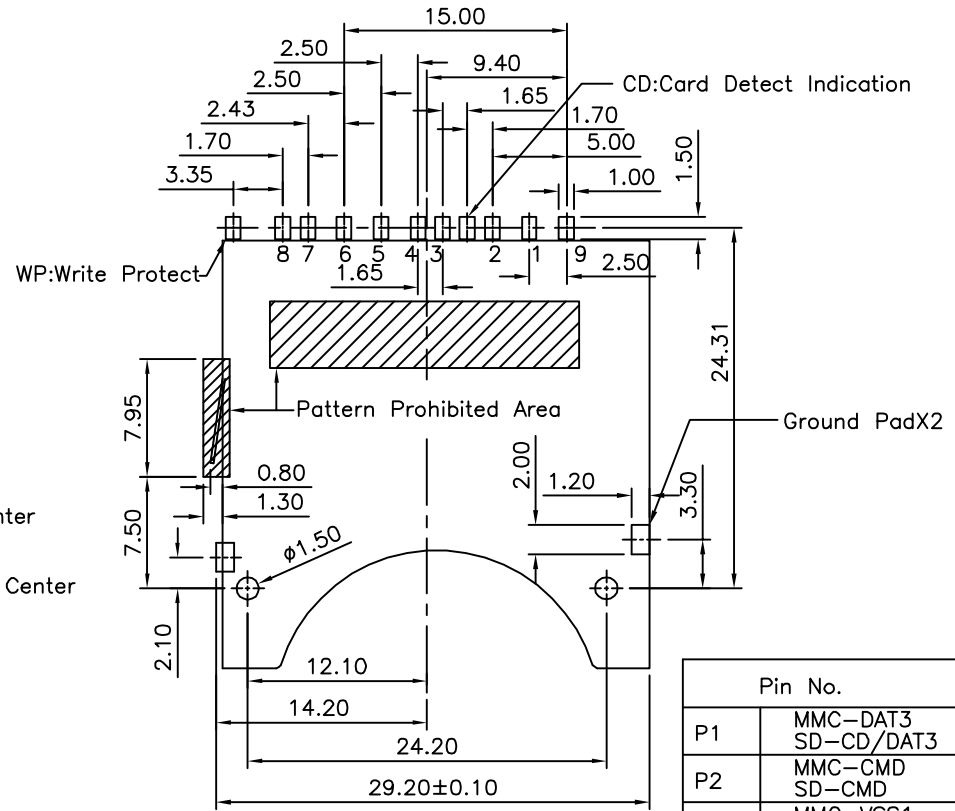
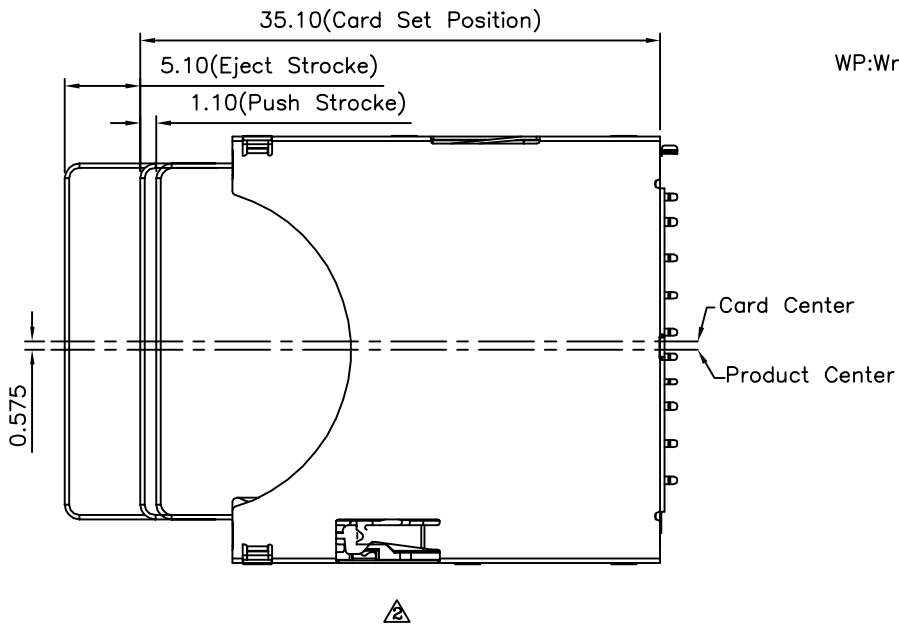
SPECIFICATION

- 1.General Characteristics**
SD Card 9P SMT 90° Push Push Type
Standoff 0.0/mm Normal
- 2.Material&Finish**
Insulator:LCP(UL94V-0),Black
Contact:Phosphor Bronze,Selective Gold Flash On
Contact Area,Tin Plated On Solder Tails,Over Nickel
Shell:Stainless,Nickel Plated
Gold Flash On Solder Tails
Ground:Phosphor Bronze,Tin Plated
- 3.Electrical Characteristics**
Current Rating:0.5A
Operating Voltage:250V AC/DC
Contact Resistance:100 Milliohms Max.
Insulation Resistance:1000 Megaohms Min. At 250V DC
Dielectric Withstanding Voltage:500V AC/Minute
- 4.Mechanical Characteristics**
Mating Cycles:10000 Cycles, Spring Is Not Breaking
- 5.Environmental Characteristics**
Operating Temperature:-40°C~+65°C
- 6.RoHS Compliant**

4UCON 元化興業股份有限公司
4UCON TECHNOLOGY INC.

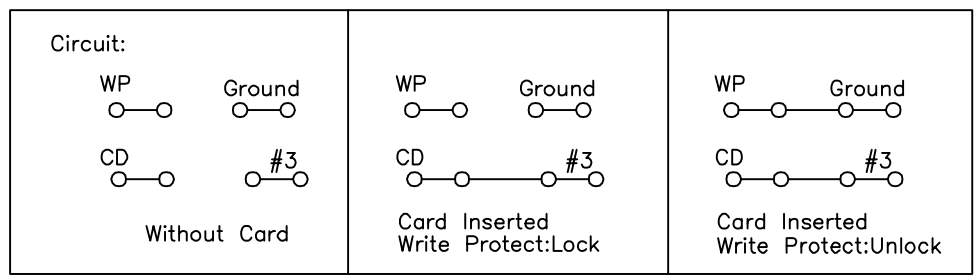
DRAWING No.		APPROVED BY		UNLESS OTHERWISE SPECIFIED TOLERANCES ARE
19608		MEI		
		HZF		
		DRAWING BY		X. ±0.50 X.* ±5°
		SONG		.X ±0.25 .X.* ±2°
				.XX ±0.15 .XX.* ±1°
SCALE	NONE	REV.	A2	UNIT
				mm

NO.	REV.	REVISIONS	CHK	DATE
△A2		Modify Data	HZF	05/09/2013
△A1		Modify Data	HZF	07/11/2012
△A0		NEW RELEASE	HZF	11/30/2011



△ Recommended P.C.B. Layout (All Tolerance Are ±0.05)

Pin No.		SD	MMC
P1	MMC-DAT3 SD-CD/DAT3	1P	1P
P2	MMC-CMD SD-CMD	2P	2P
P3	MMC-VSS1 SD-VSS1	3P	3P
P4	MMC-VDD SD-VDD	4P	4P
P5	MMC-CLK SD-CLK	5P	5P
P6	MMC-VSS2 SD-VSS2	6P	6P
P7	MMC-DAT0 SD-DAT0	7P	7P
P8	SD-DAT1	8P	—
P9	SD-DAT2	9P	—



4UCON 元化興業股份有限公司
4UCON TECHNOLOGY INC.

DRAWING No.		APPROVED BY		UNLESS OTHERWISE SPECIFIED TOLERANCES ARE X. ±0.50 X.* ±5* .X ±0.25 .X* ±2* .XX ±0.15 .XX* ±1*
19608		MEI		
		CHECKED BY		
		HZF		
		DRAWING BY		UNIT mm
		SONG		
SCALE	NONE	REV.	A2	NO. REV.

NO.	REV.	REVISIONS	CHK	DATE
△A2		Modify Data	HZF	05/09/2013
△A1		Modify Data	HZF	07/11/2012
△A0		NEW RELEASE	HZF	11/30/2011

X-ON Electronics

Largest Supplier of Electrical and Electronic Components

Click to view similar products for [SparkFun Accessories](#) category:

Click to view products by [SparkFun](#) manufacturer:

Other Similar products are found below :

[DEV-17119](#) [SEN-16474](#) [COM-11450](#) [BOB-00495](#) [BOB-00497](#) [PRT-08619](#) [PRT-12702](#) [SEN-13582](#) [TOL-11468](#) [ROB-09065](#) [COM-12999](#)
[COM-12986](#) [COM-11120](#) [ROB-11965](#) [COM-11222](#) [PRT-12845](#) [CAB-13685](#) [PRT-10210](#) [PRT-14490](#) [TOL-10603](#) [COM-09278](#) [PRT-08023](#)
[COM-08033](#) [DEV-14052](#) [PRT-00111](#) [PRT-08432](#) [TOL-09317](#) [TOL-10997](#) [PRT-00743](#) [PRT-14492](#) [TOL-14228](#) [COM-13247](#) [PRT-11026](#)
[CAB-10646](#) [TOL-08964](#) [PRT-00116](#) [PRT-08506](#) [CAB-09741](#) [COM-10800](#) [SEN-14282](#) [DEV-14012](#) [CAB-14043](#) [COM-14452](#) [TOL-14508](#)
[DEV-13814](#) [GPS-00574](#) [PRT-14417](#) [PRT-08231](#) [COM-09939](#) [PRT-13839](#)