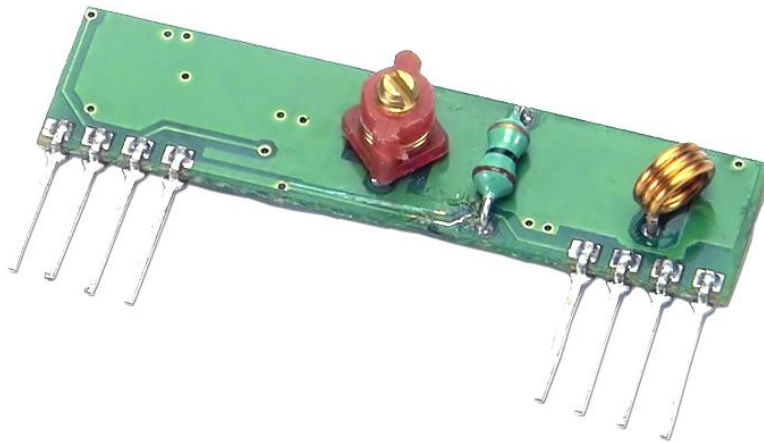

Wireless Hi Sensitivity Receiver Module (RF ASK)

**Version History**

| Version | Date | Changes |
|---------|---------------|---------------------------|
| V1.01 | Feb. 1, 2004 | 1 st . Edition |
| V1.02 | Jul. 2, 2008 | 2 nd . Edition |
| V1.03 | Dec. 28, 2008 | 3 rd . Edition |

Model: RWS-371-6

- Frequency Range: 433.92MHz
- Modulate Mode: ASK
- Circuit Shape: LC
- Data Rate: 4800 bps
- Selectivity: -108 dBm
- Channel Spacing: ± 500 KHz
- Supply Voltage: 5V
- High sensitivity passive design
- Simple to apply with low external count

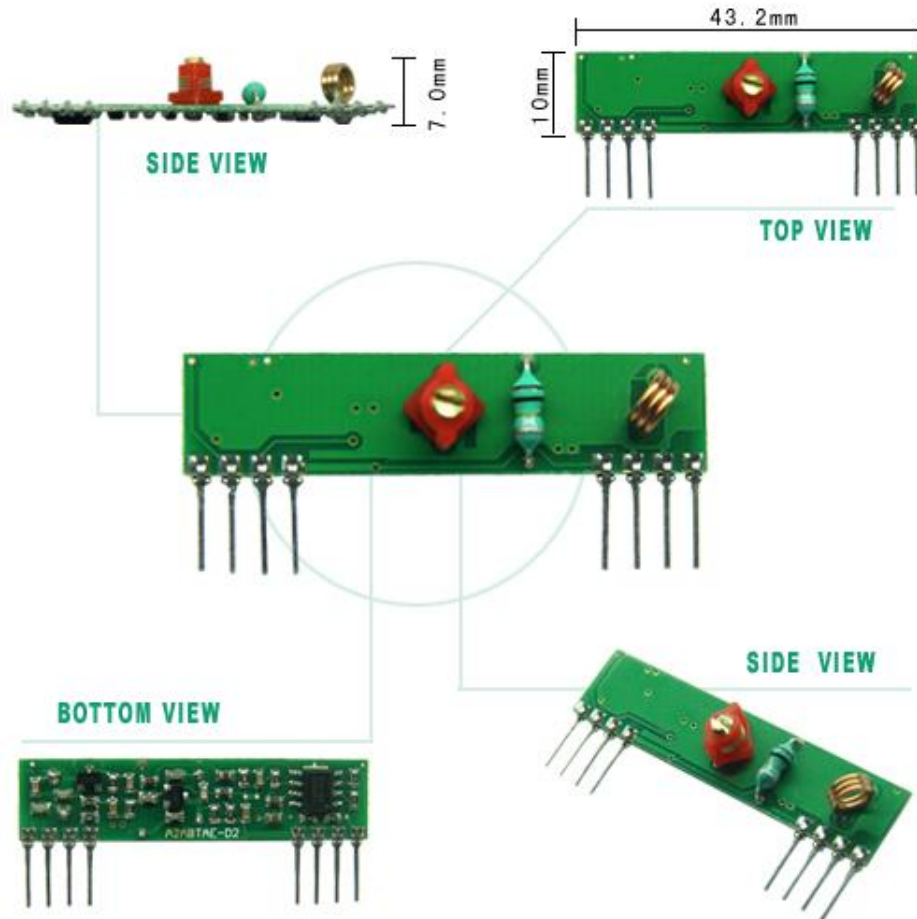
Electrical Characteristic

| Characteristic | Sym | Min | Type | Max | Unit |
|---------------------------|-------|---------|---------|---------|------|
| Operating Radio Frequency | FC | 433.420 | 433.920 | 434.420 | MHz |
| Sensitivity | Pref. | -106 | -108 | -110 | dBm |
| Channel Width | | -500 | | + 500 | KHz |
| Noise Equivalent BW | NEB | | 5 | 4 | |
| Baseboard Data Rate | | | | 3 | KB/S |
| Receiver Turn On Time | | | | 3 | ms |

DC Characteristic

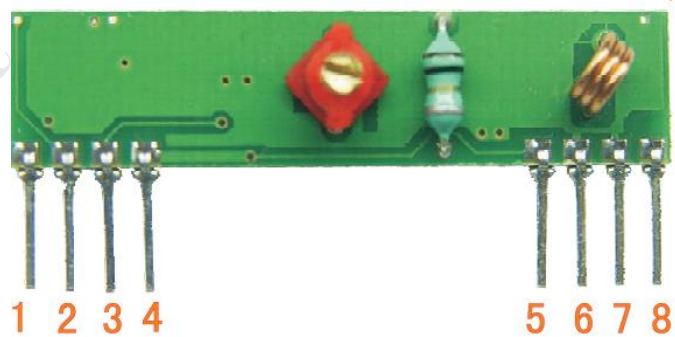
| Symbol | Parameter | Condition | Min | Type | Max | Unit |
|--------|--------------------------|-----------------------------|-------------|------|-----|------|
| Vcc | Operating Supply Voltage | | 4.9 | 5 | 5.1 | |
| I Tot | Operating Supply Voltage | | | 4.5 | | |
| V Data | Data Out | 1 Data = +200uA (High) | Vcc -0.5 | Vcc | | V |
| | | 1 Data = -10uA (Low) | | | 0.3 | V |

Size

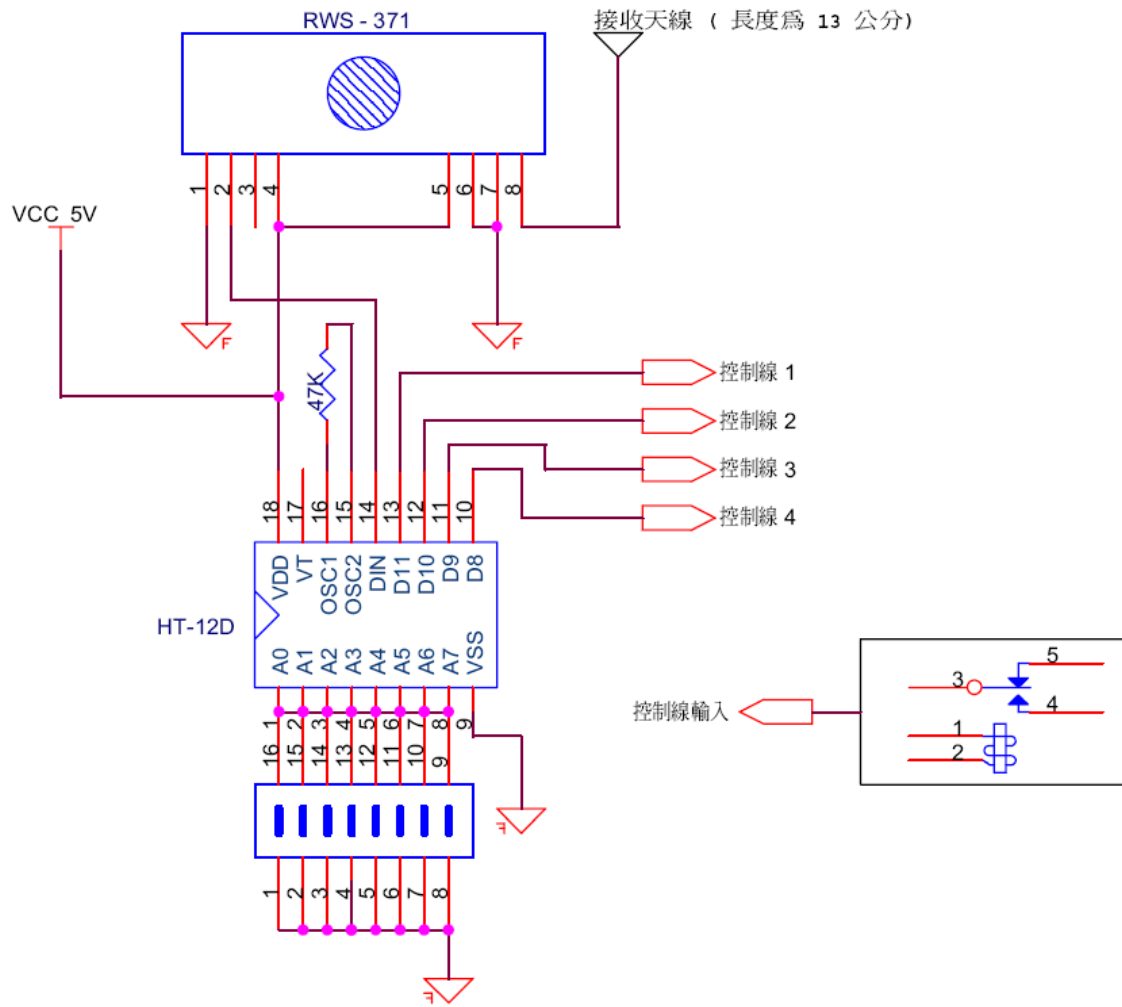


Pin Assignment

| Pin | Function |
|-----|-----------------|
| 1 | GND |
| 2 | Digital Output |
| 3 | Linear Out |
| 4 | VCC |
| 5 | VCC |
| 6 | GND |
| 7 | GND |
| 8 | ANT(About 13cm) |



Demo Circuit



X-ON Electronics

Largest Supplier of Electrical and Electronic Components

Click to view similar products for [Sub-GHz Development Tools](#) category:

Click to view products by [SparkFun](#) manufacturer:

Other Similar products are found below :

[EVAL-ADF7021DBJZ](#) [EVAL-ADF7021-NDBZ2](#) [EVAL-ADF7021-VDB3Z](#) [EVAL-ADF7023DB3Z](#) [MICRF219A-433 EV](#) [MICRF220-433 EV](#) [AD6679-500EBZ](#) [EVAL-ADF7901EBZ](#) [EVAL-ADF790XEBZ](#) [110976-HMC453QS16G](#) [STEVAL-IKR002V7D](#) [MAX2602EVKIT+](#) [MAX1472EVKIT-315](#) [MAX1479EVKIT-315](#) [STEVAL-IKR002V3D](#) [MAX7042EVKIT-315+](#) [MAX2902EVKIT#](#) [MAX9947EVKIT+](#) [MAX1470EVKIT-315](#) [SKY66188-11-EK1](#) [SKY66013-11-EVB](#) [EVAL-ADF7023DB5Z](#) [DRF1200/CLASS-E](#) [1096](#) [1097](#) [1098](#) [MDEV-900-PRO](#) [DVK-SFUS-1-GEVK](#) [DVK-SFUS-API-1-GEVK](#) [US-SIGFOX-GEVB](#) [STEVAL-IKR002V2D](#) [107755-HMC454ST89](#) [DM182017-2](#) [110961-HMC453ST89](#) [DM182017-1](#) [3179](#) [DC689A](#) [DC1513B-AB](#) [3229](#) [3230](#) [3231](#) [3232](#) [DC1250A-AA](#) [DC1513B-AC](#) [DC1513B-AD](#) [DC1513B-AA](#) [TEL0075](#) [RFX1010-EK1](#) [131903-HMC921LP4E](#) [EU-SIGFOX-GEVB](#)