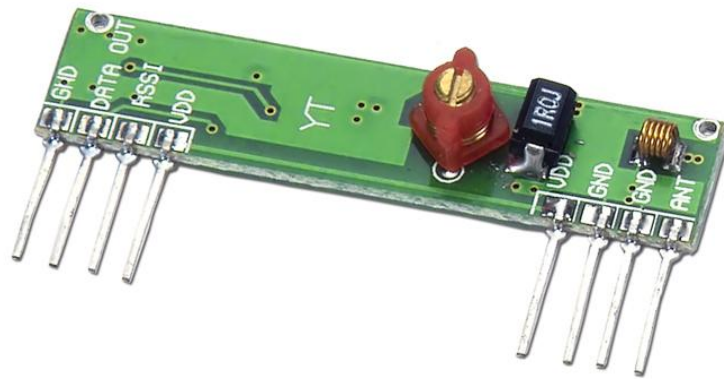


---

**Wireless Hi Sensitivity Receiver Module (RF ASK)**

---

**Version History**

Version	Date	Changes
V1.01	Mar.7, 2004	1 <sup>st</sup> . Edition
V1.02	Jul.2,2008	2 <sup>nd</sup> . Edition

### Model: RWS-374-3

- Frequency Range: 315MHz
- Modulate Mode: ASK
- Circuit Shape: LC
- Data Rate: 4800 bps
- Selectivity: -108 dBm
- Channel Spacing:  $\pm 500$ KHz
- Supply Voltage: 5V
- High sensitivity passive design
- Simple to apply with low external count

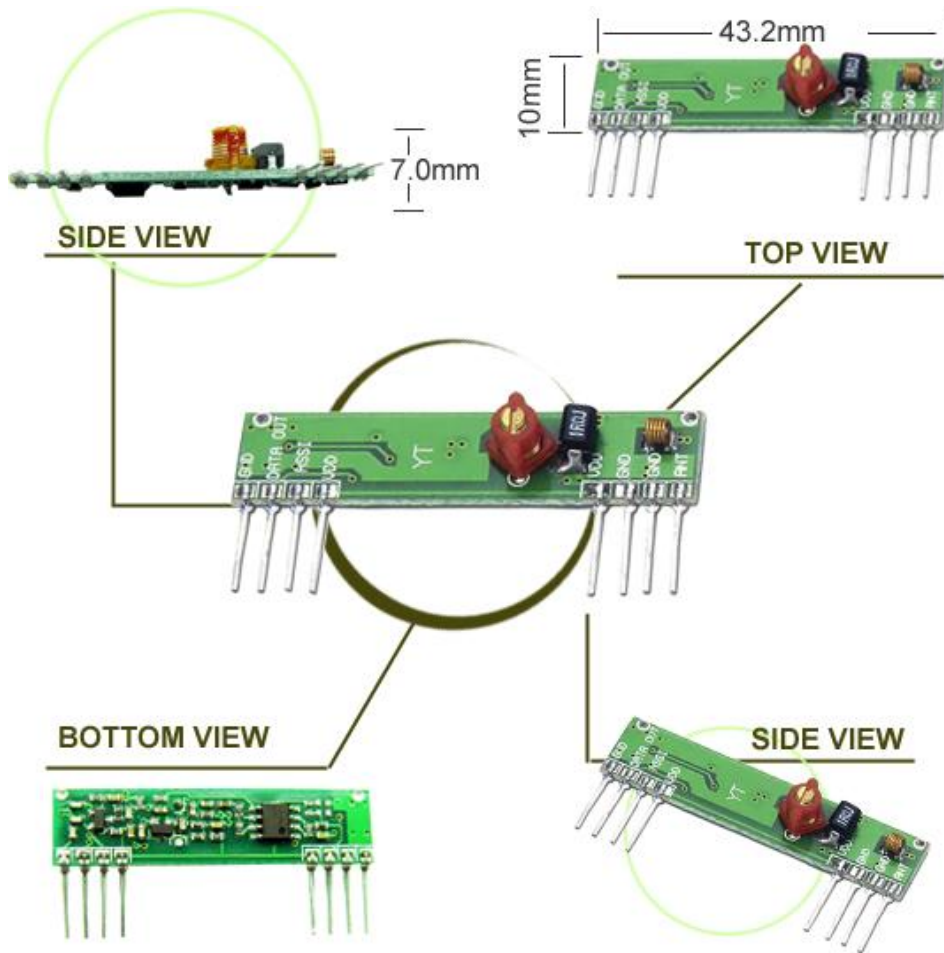
### Electrical Characteristic

Characteristic	Sym	Min	Type	Max	Unit
Operating Radio Frequency	FC	314.500	315.000	315.500	MHz
Sensitivity	Pref.	-106	-108	-110	dBm
Channel Width		-500		+ 500	KHz
Noise Equivalent BW	NEB		5	4	
Baseband Data Rate				3	KB/S
Receiver Turn On Time				3	ms

### DC Characteristic

Symbol	Parameter	Condition	Min	Type	Max	Unit
V <sub>cc</sub>	Operating Supply Voltage		4.9	5	5.1	
I <sub>Tot</sub>	Operating Supply Voltage			4.5		
V <sub>Data</sub>	Data Out	1 Data=+200uA (High)	V <sub>cc</sub> -0.5	V <sub>cc</sub>		V
		1 Data=-10uA (Low)			0.3	V

## Size

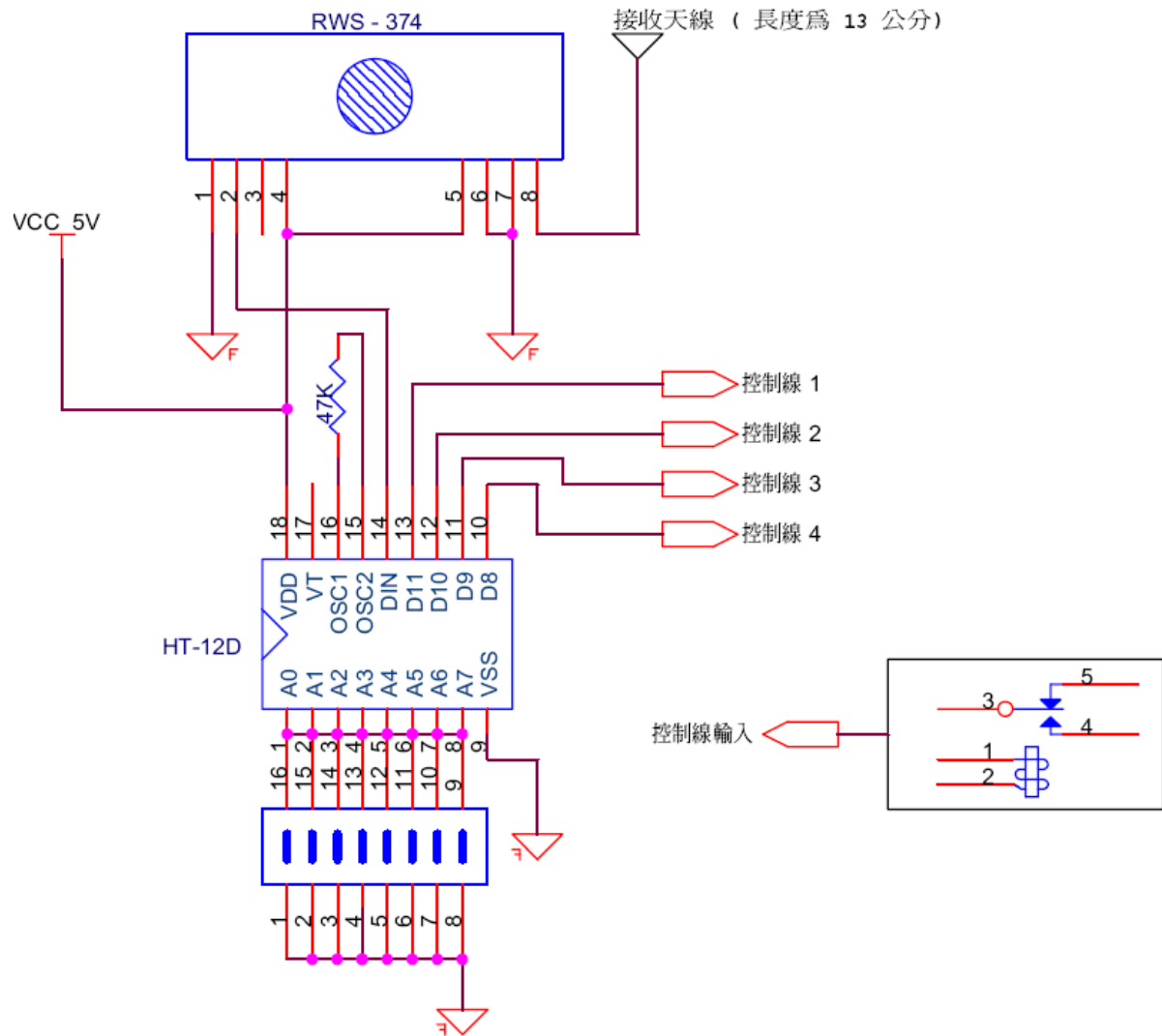


## Pin Assignment

Pin	Function
1	GND
2	Digital Output
3	Linear Out
4	VCC
5	VCC
6	GND
7	GND
8	ANT(About 13cm)



## Demo Circuit



## X-ON Electronics

Largest Supplier of Electrical and Electronic Components

*Click to view similar products for [Sub-GHz Development Tools](#) category:*

*Click to view products by [SparkFun](#) manufacturer:*

Other Similar products are found below :

[EVAL-ADF7021DBJZ](#) [EVAL-ADF7021-NDBZ2](#) [EVAL-ADF7021-VDB3Z](#) [EVAL-ADF7023DB3Z](#) [MICRF219A-433 EV](#) [MICRF220-433 EV](#) [AD6679-500EBZ](#) [EVAL-ADF7901EBZ](#) [EVAL-ADF790XEBZ](#) [110976-HMC453QS16G](#) [STEVAL-IKR002V7D](#) [MAX2602EVKIT+](#) [MAX1472EVKIT-315](#) [MAX1479EVKIT-315](#) [STEVAL-IKR002V3D](#) [MAX7042EVKIT-315+](#) [MAX2902EVKIT#](#) [MAX9947EVKIT+](#) [MAX1470EVKIT-315](#) [SKY66188-11-EK1](#) [SKY66013-11-EVB](#) [EVAL-ADF7023DB5Z](#) [DRF1200/CLASS-E 1096](#) [1097](#) [1098](#) [MDEV-900-PRO](#) [DVK-SFUS-1-GEVK](#) [DVK-SFUS-API-1-GEVK](#) [US-SIGFOX-GEVB](#) [STEVAL-IKR002V2D](#) [107755-HMC454ST89](#) [DM182017-2](#) [110961-HMC453ST89](#) [DM182017-1](#) [3179](#) [DC689A](#) [DC1513B-AB](#) [3229](#) [3230](#) [3231](#) [3232](#) [DC1250A-AA](#) [DC1513B-AC](#) [DC1513B-AD](#) [DC1513B-AA](#) [TEL0075](#) [RFX1010-EK1](#) [131903-HMC921LP4E](#) [EU-SIGFOX-GEVB](#)