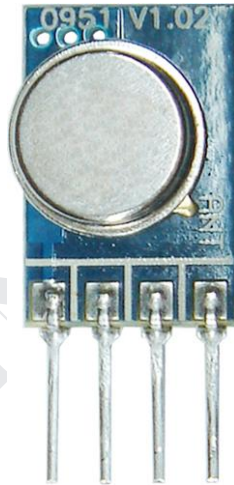

Wireless Hi Power Transmitter Module (RF ASK)

**Version History**

Version	Date	Changes
V1.01	Mar. 01, 2002	1 st . Edition
V1.02	Jul. 05, 2008	2 nd . Edition
V1.03	Oct. 20, 2010	3 nd . Edition

Model : TWS-BS-3

- Frequency Range: 433.92MHz
- Modulate Mode: ASK
- Circuit Shape: SAW
- Data Rate: 8Kbps
- Supply Voltage: 1.5~12V
- Output Power : 14dBm
- Working temperature: -20~+85°C
- Solder temperature: 230°C(10 seconds).
- High sensitivity is designed.

Application

● Wireless Data Transmission	● Wireless Game Pad
● Remote Control	● Wireless Toys
● Car Key	● Home Automation
● AMR- Automatic Meter Reading	● Remote Keyless Entry

Absolute Maximum Rating

Rating	Value	Unit
Power Supply and All Input/ Output Pins	-0.3~+12.0	V
Non-Operating Case Temperature	-20~+85	°C
Soldering Temperature(10 seconds)	230	°C

Electrical Characteristic

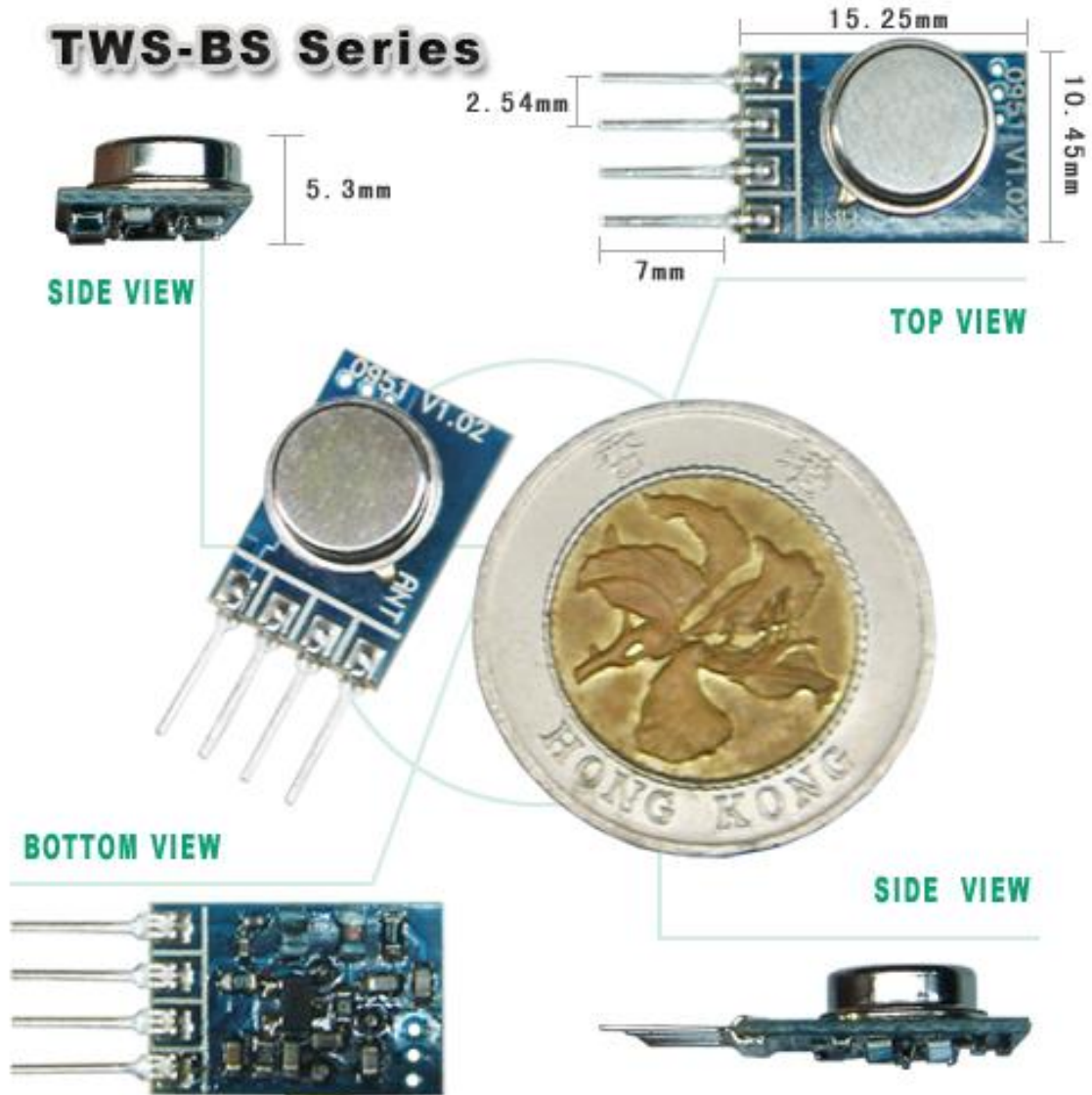
Characteristic	Min	Type	Max	Unit
Operating Frequency ($\pm 250\text{KHz}$)	433.67	433.92	434.17	MHz
Data Rate			8	Kbps
Current Consumption			8	mA
Output Power			32	mW
Operating Voltage	3		12	Vdc
Operating Ambient Temperature	-20		+85	$^{\circ}\text{C}$

Pin Assignment

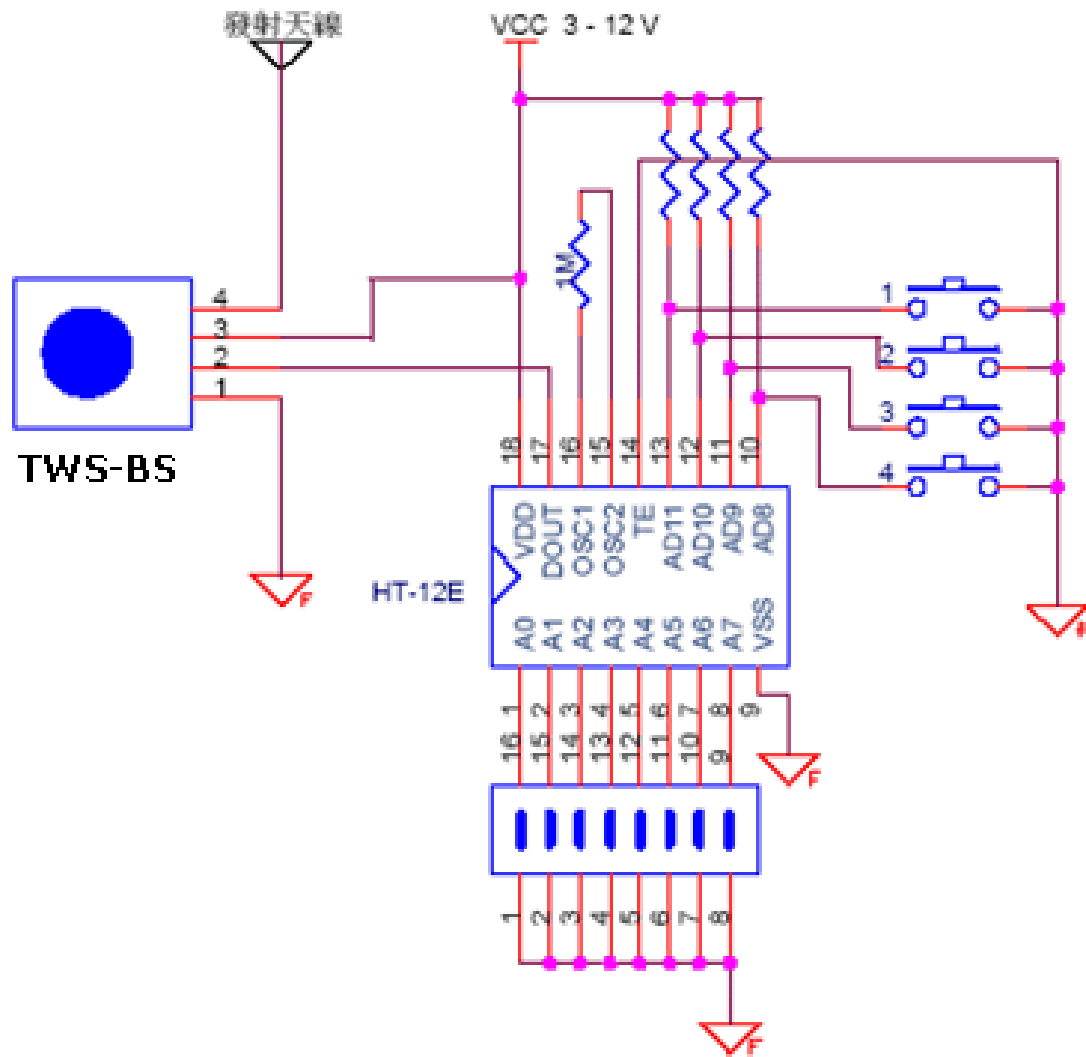
Pin	Function
1	GND
2	Data in
3	Vcc
4	ANT



Size



Demo Circuit



X-ON Electronics

Largest Supplier of Electrical and Electronic Components

Click to view similar products for [Sub-GHz Development Tools](#) category:

Click to view products by [SparkFun](#) manufacturer:

Other Similar products are found below :

[EVAL-ADF7021DBJZ](#) [EVAL-ADF7021-NDBZ2](#) [EVAL-ADF7021-VDB3Z](#) [EVAL-ADF7023DB3Z](#) [MICRF219A-433 EV](#) [MICRF220-433 EV](#) [AD6679-500EBZ](#) [EVAL-ADF7901EBZ](#) [EVAL-ADF790XEBZ](#) [110976-HMC453QS16G](#) [STEVAL-IKR002V7D](#) [MAX2602EVKIT+](#) [MAX1472EVKIT-315](#) [MAX1479EVKIT-315](#) [STEVAL-IKR002V3D](#) [MAX7042EVKIT-315+](#) [MAX2902EVKIT#](#) [MAX9947EVKIT+](#) [MAX1470EVKIT-315](#) [SKY66188-11-EK1](#) [SKY66013-11-EVB](#) [EVAL-ADF7023DB5Z](#) [DRF1200/CLASS-E](#) [1096](#) [1097](#) [1098](#) [MDEV-900-PRO](#) [DVK-SFUS-1-GEVK](#) [DVK-SFUS-API-1-GEVK](#) [US-SIGFOX-GEVB](#) [STEVAL-IKR002V2D](#) [107755-HMC454ST89](#) [DM182017-2](#) [110961-HMC453ST89](#) [DM182017-1](#) [3179](#) [DC689A](#) [DC1513B-AB](#) [3229](#) [3230](#) [3231](#) [3232](#) [DC1250A-AA](#) [DC1513B-AC](#) [DC1513B-AD](#) [DC1513B-AA](#) [TEL0075](#) [131903-HMC921LP4E](#) [EU-SIGFOX-GEVB](#) [856512-EVB](#)