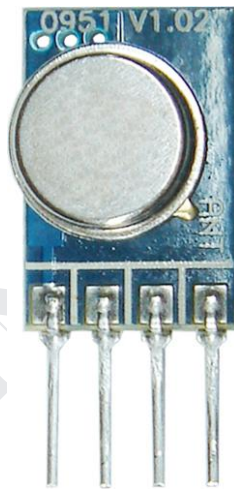


---

**Wireless Hi Power Transmitter Module (RF ASK)**

---

**Version History**

<b>Version</b>	<b>Date</b>	<b>Changes</b>
V1.01	Mar. 01, 2002	1 <sup>st</sup> . Edition
V1.02	Jul. 05, 2008	2 <sup>nd</sup> . Edition
V1.03	Oct. 20, 2010	3 <sup>rd</sup> . Edition

## Model : TWS-BS-6

- Frequency Range: 315MHz
- Modulate Mode: ASK
- Circuit Shape: SAW
- Data Rate: 8Kbps
- Supply Voltage: 1.5~12V
- Output Power : 14dBm
- Working temperature: -20~+85°C
- Solder temperature: 230°C(10 seconds).
- High sensitivity is designed.

## Application

● Wireless Data Transmission	● Wireless Game Pad
● Remote Control	● Wireless Toys
● Car Key	● Home Automation
● AMR- Automatic Meter Reading	● Remote Keyless Entry

## Absolute Maximum Rating

Rating	Value	Unit
Power Supply and All Input/ Output Pins	-0.3~+12.0	V
Non-Operating Case Temperature	-20~+85	°C
Soldering Temperature(10 seconds)	230	°C

## Electrical Characteristic

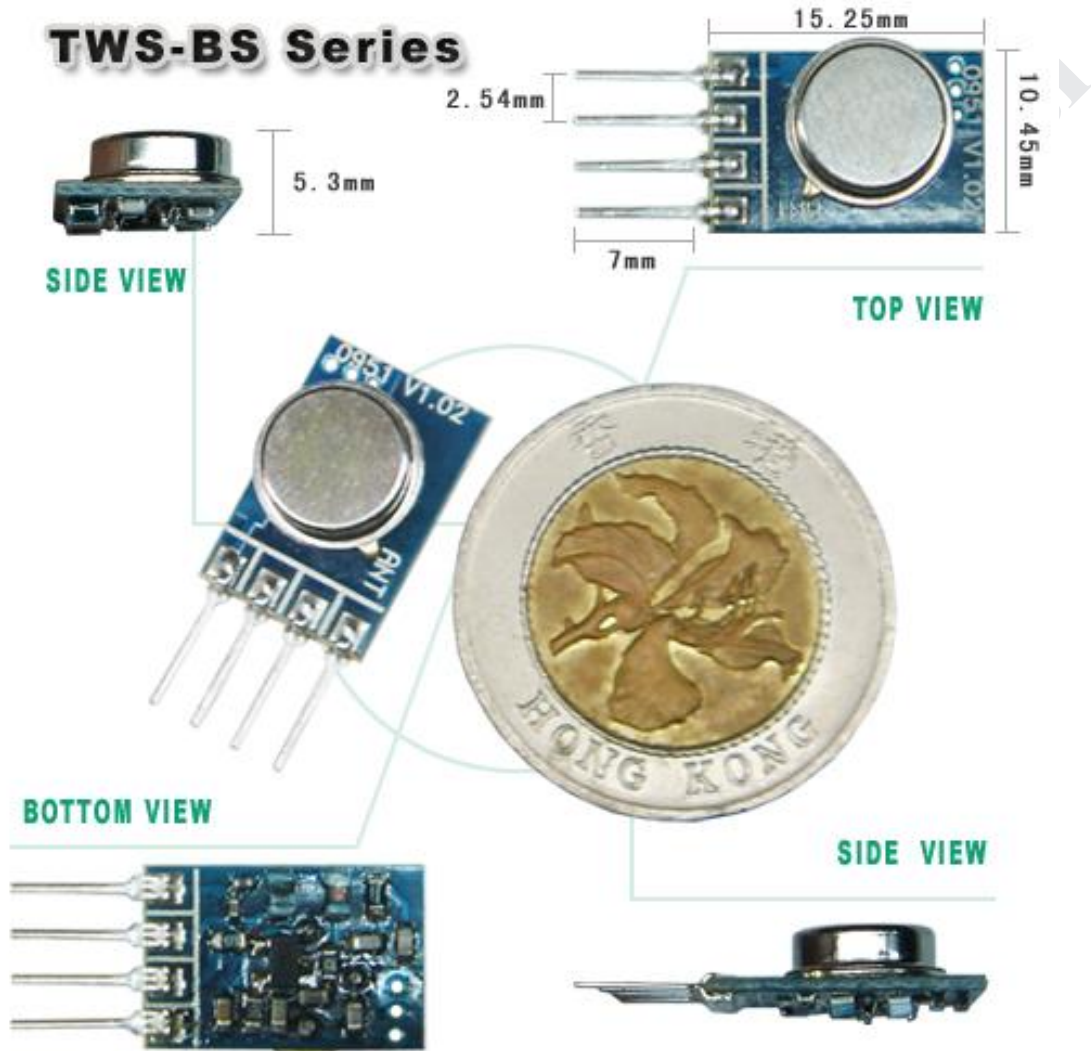
Characteristic	Min	Type	Max	Unit
Operating Frequency ( $\pm 250\text{KHz}$ )	314.75	315.00	315.25	MHz
Data Rate			8	Kbps
Current Consumption			8	mA
Output Power			32	mW
Operating Voltage	3		12	VDC
Operating Ambient Temperature	-20		+85	$^{\circ}\text{C}$

## Pin Assignment

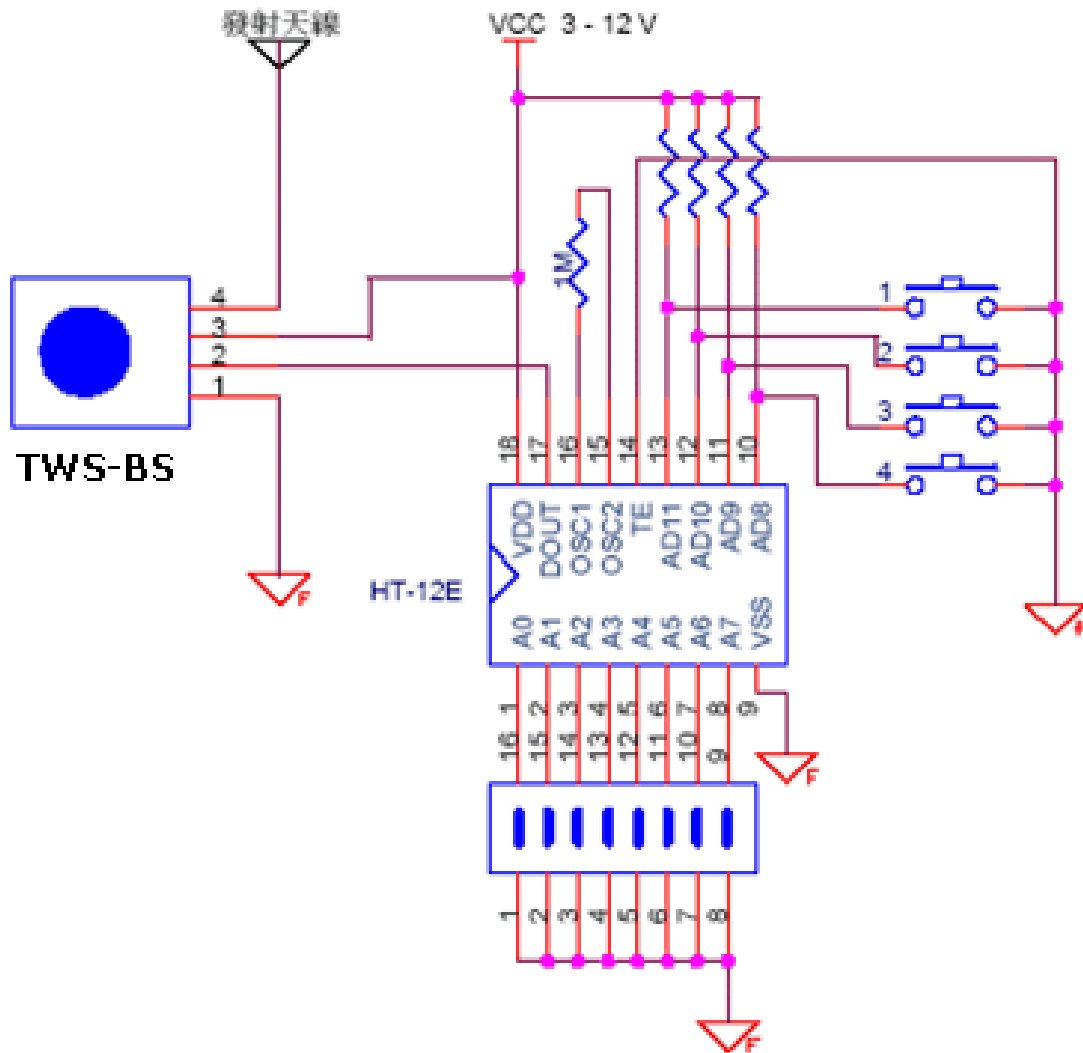
Pin	Function
1	GND
2	Data in
3	Vcc
4	ANT



## Size



## Demo Circuit



## X-ON Electronics

Largest Supplier of Electrical and Electronic Components

*Click to view similar products for [SparkFun Accessories](#) category:*

*Click to view products by [SparkFun](#) manufacturer:*

Other Similar products are found below :

[DEV-17119](#) [SEN-16474](#) [COM-11450](#) [BOB-00495](#) [BOB-00497](#) [PRT-08619](#) [PRT-12702](#) [SEN-13582](#) [TOL-11468](#) [ROB-09065](#) [COM-12999](#)  
[COM-12986](#) [COM-11120](#) [ROB-11965](#) [COM-11222](#) [PRT-12845](#) [CAB-13685](#) [PRT-10210](#) [PRT-14490](#) [TOL-10603](#) [COM-09278](#) [PRT-08023](#)  
[COM-08033](#) [DEV-14052](#) [PRT-00111](#) [PRT-08432](#) [TOL-09317](#) [TOL-10997](#) [PRT-00743](#) [PRT-14492](#) [TOL-14228](#) [COM-13247](#) [PRT-11026](#)  
[CAB-10646](#) [TOL-08964](#) [PRT-00116](#) [PRT-08506](#) [CAB-09741](#) [COM-10800](#) [SEN-14282](#) [DEV-14012](#) [CAB-14043](#) [COM-14452](#) [TOL-14508](#)  
[DEV-13814](#) [GPS-00574](#) [PRT-14417](#) [PRT-08231](#) [COM-09939](#) [PRT-13839](#)