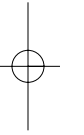
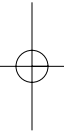
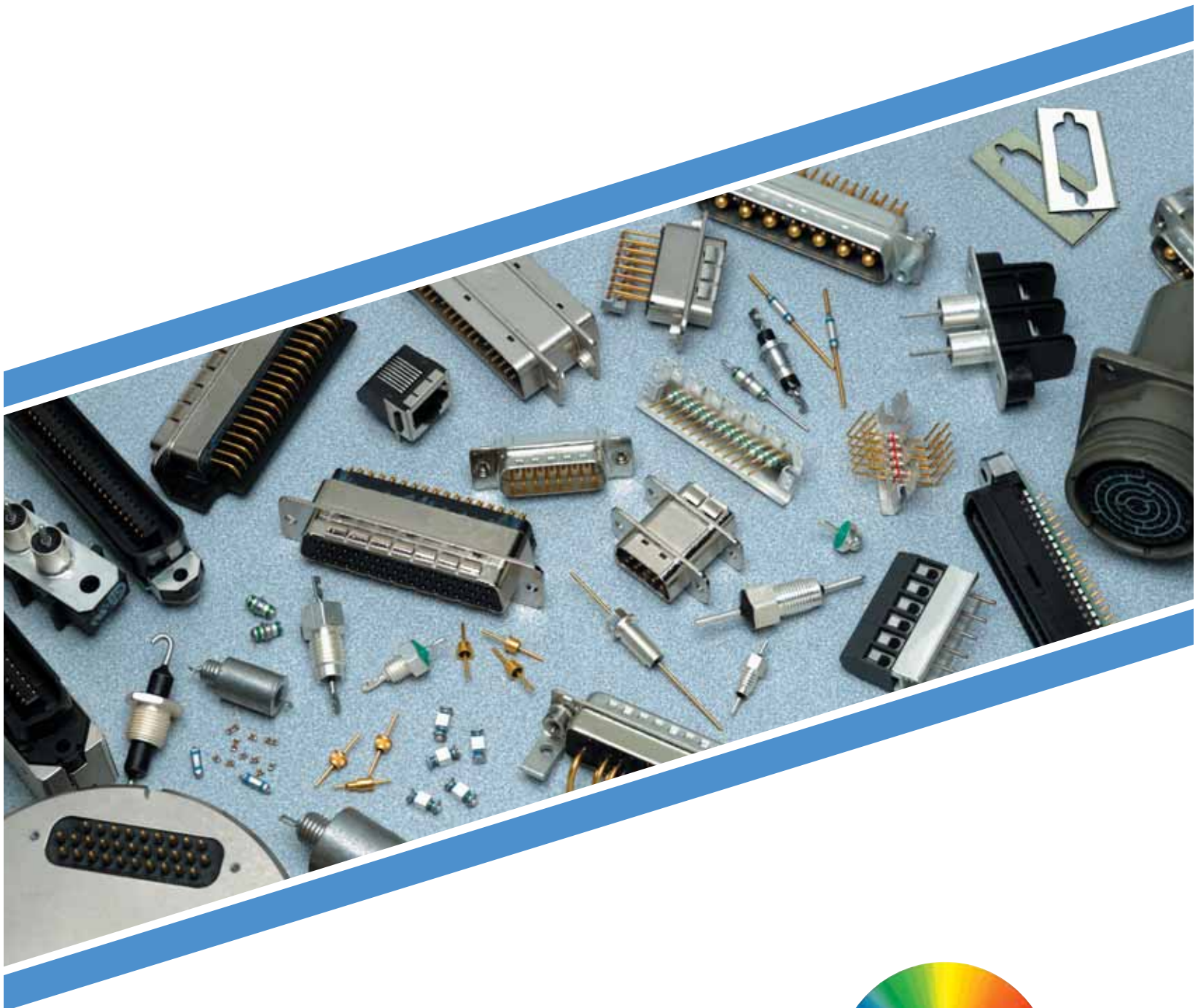


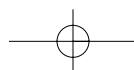
EMI Filters and Filtered Interconnects



ISO 9001
CERTIFIED



SPECTRUM CONTROL INC.
A Control Products and Systems Company
Signal and Power Integrity Group





SPECTRUM CONTROL INC.
A Control Products and Systems Company
Signal Products Group

EMI Filters and Filtered Interconnects

Since its founding in 1968, Spectrum Control has focused on being a total solutions provider in the suppression or elimination of electromagnetic interference (EMI). Through recent acquisitions, Spectrum Control now offers the industry's broadest line of EMI/RFI filters, capacitors, surface mount filters and inductors, filtered arrays, filtered connectors, filtered datacom connectors, power products, power distribution filters and EMC testing services.

Spectrum Control is committed to providing an integrated approach to EMC problem solving by offering customers comprehensive consulting, diagnostic testing and manufacturing services. Products from Spectrum Control are used in all major electronics markets including telecommunications, medical, aerospace avionics and industrial electronics, as well as industrial appliances.

ISO 9001
CERTIFIED

Spectrum Control Inc...

**Surface Mount
Filters &
Inductors**



**Low Pass
Filters**

**Filtered
Arrays**



**Filtered
Connectors**

**Gaskets &
Shielding**



A Control Products & Systems Company Spectrum Control Inc...

		Pages		
Surface Mount Filters & Inductors	<ul style="list-style-type: none"> • Ferrite Chip Beads • Ferrite Inductors • Ceramic Inductors 	<ul style="list-style-type: none"> • Three Terminal Chip EMI Filters • LC Type Chips • Square Surface Mount EMI Filters • High Current Power SMD EMI Filters • High Frequency Thru-Hole PCB Filters 	19-62	
Low Pass Filters	<ul style="list-style-type: none"> • MLFT Filters • Solder-in Filters • Resin Sealed Bolt-in Filters 	<ul style="list-style-type: none"> • High Current/High Voltage Resin Sealed Filters • Hermetically Sealed Case Filters 	63-102	
Filtered Arrays	<ul style="list-style-type: none"> • Easy Mate® Filter Plates • Bolt-in Filter Plates • Custom Filter Plates & Terminal Blocks • Barrier Strip Filtered Terminal Blocks 	<ul style="list-style-type: none"> • PCB Mount Filtered Terminal Blocks 	103-127	
Filtered Connectors	<ul style="list-style-type: none"> • Series F Ferrite Filtered Connectors • Series 100 Chip-Cap Filtered Connectors • Series 500 Low Profile Feed-thru Connectors 	<ul style="list-style-type: none"> • Series 600 Hi-Density Filtered Connectors • Series 700 High Performance Filtered Connectors • Filtered Combo D-Subminiature Connectors 	<ul style="list-style-type: none"> • Series E (ESD/EFT) Transient Protected Connectors • Datacom Connectors • Custom Filtered Connectors 	128-232
Quietshield™ Gaskets & Shielding	<ul style="list-style-type: none"> • Quietshield "D" Profile Gaskets • Quietshield "P" Profile Gaskets • Clips • Quietshield "R" Profile Gaskets 	<ul style="list-style-type: none"> • Quietshield "L" Profile Gaskets • I/O Gaskets - "D" • Custom Shielding Products • EMI Shielding Tapes 	233-243	
Appendix	<ul style="list-style-type: none"> • Military Cross Reference • SCI/Amp Cross Reference • Part Number Index • www.spectrumcontrol.com Online tools 	244-257		



EMI Filters and Filtered Interconnects Selection Guide

LOW PASS FILTERS				
	Power Surface Mount (PSM) Square Surface Mount (SSM) Filters	Microwave Discrete Filters	Resin Sealed/ Solder-in Capacitors and Filters	Hermetically Sealed Filters and Capacitors
Applications				
	Power amplifiers, power supplies, temperature and motor controls, high current bus lines and driver circuits	Ideal for microwave applications such as attenuators and oscillators. Perform well in high impedance circuits where large capacitance values are not practical	Telecommunications equipment, transceivers, microwave filters, industrial control systems, multi-circuit filter assemblies	Power supplies, signal lines, rocket ignitors, aerospace, military/secure communications, medical equipment multisection filters, and mining and oil drilling exploration
Features/ Benefits	<ul style="list-style-type: none"> ■ Current rating – PSM - 20 Amps (FT) and 10 Amps (Pi) SSM - 10 Amps ■ Construction – High temperature construction ■ Small size – Square mechanical geometry enhances soldering to a PCB ■ Packaging – Tape and reel packaging along with bulk packaging 	<ul style="list-style-type: none"> ■ Small size options – Solder-in Press-in 2-56 threaded ■ Construction – High temperature constructions ■ Plating – Suitable for gold bonding when specified ■ Coaxial – Feed-thru filtering 	<ul style="list-style-type: none"> ■ Cost effective – Resin sealed filters provide environmental protection at low cost ■ Design flexibility – Wide range of threaded and solder-in bushings with a variety of circuits: C, L, and Pi ■ Reliability – All parts built in accordance with MIL-F-15733 and MIL-F-28861 ■ Safety – Some select filters U.L. 1459 recognized and CSA C22.2 certified ■ FED/MIL approvals – Qualified to MIL-F-15733 	<ul style="list-style-type: none"> ■ Hermetically sealed – Ideal for use in hostile environments ■ Design flexibility – Wide range of bushing sizes and circuit types including C, L, Pi, transient suppression Pi, T, & TT ■ Reliability – Built in accordance with MIL-F-15733 and MIL-F-28861, with QPL listings on both ■ FED/MIL approvals – Qualified to MIL-F-15733 and MIL-F-28861
Performance Characteristics	<ul style="list-style-type: none"> ■ Insertion loss range – Effective filtering to 18 GHz in a shielded application ■ Capacitance – Pi: 68 pF to 4000 pF Feed-thru: 68 pF to .01 µF ■ Temperature range – -55°C to +125°C 	<ul style="list-style-type: none"> ■ Insertion loss range – Effective filtering to 18 GHz in a shielded application ■ Capacitance – Up to 30,000 pF ■ Operating voltage – Up to 200 VDC ■ Temperature range – -55° to +125° C 	<ul style="list-style-type: none"> ■ Insertion loss range – Effective filtering from 1 MHz to 18 GHz with proper installation ■ Capacitance and temperature characteristics – To 1.4 µF NPO, X7R, Z5U ■ Temperature range – -55°C to +125°C ■ Voltage ratings (max.) – To 2500 VDC 240 VAC @ 400 Hz ■ Current ratings (max.) – To 100 Amps 	<ul style="list-style-type: none"> ■ Insertion loss range – Effective filtering from 1 MHz to 18 GHz with proper installation ■ Capacitance and temperature characteristics – To 1.4 µF NPO, X7R, Z5U ■ Temperature range – -55°C to +125°C ■ Voltage ratings (max.) – To 400 VDC 240 VAC @ 400 Hz ■ Current ratings (max.) – To 30 Amps
	<i>Pages 56-61</i> www.spectrumcontrol.com/hcsmt	<i>Pages 71-72</i> www.spectrumcontrol.com/mwdis	<i>Pages 73-85</i> www.spectrumcontrol.com/resin	<i>Pages 86-101</i> www.spectrumcontrol.com/glass



EMI Filters and Filtered Interconnects Selection Guide

FILTERED ARRAYS				
	Filter Plate Assemblies	Shrouded Latch Plates	Microcircuit Packages	Filtered Terminal Blocks
				
Applications	Telecommunications equipment, cellular base stations, linear power amplifiers, cellular microcell repeaters, industrial, scientific, remote sensory, and medical equipment	Telecommunications equipment, cellular base stations, linear power amplifiers, cellular microcell repeaters, industrial, scientific, remote sensory, and medical equipment	Telecommunications equipment, scientific equipment, aerospace applications and point-to-point telemetry	Telecommunications equipment, industrial controls, power supplies, uninterruptible power supplies, instrumentation and power distribution equipment
Features/ Benefits	<ul style="list-style-type: none"> ■ Total reduced costs – Economical method of meeting EMC requirements ■ Excellent filtering – Outperform surface mount filters at frequencies above 130 MHz; provide an EMI filtered signal line between electronic system modules ■ Reliability – Every filter plate is tested 100% for key parameters ■ Standard centers – Of 0.100" and 2mm allow for easy termination ■ Easy Mate™ filter plate – Design provides for quick installation into predefined cutout 	<ul style="list-style-type: none"> ■ Design flexibility – Available in 10 to 64 positions Mates to most ribbon cable connectors A variety of latch ejector heights available Mixed capacitance values and schematics available ■ Standard centers – Pins on .100" centers ■ Reliability – Cable retention reliable in vibration prone environments ■ Excellent filtering – From 5 MHz to 1 GHz and beyond ■ Rugged construction – Shroud protects filter element from potential damage 	<ul style="list-style-type: none"> ■ Total reduced costs – Allow users to reduce production and installation time while lowering overall costs ■ Design flexibility – Wide variety of shapes and sizes Housing materials include: Kovar, Aluminum, Copper, Titanium and Copper Alloys Variety of circuits: C, L and Pi Connectors offered are: RF, SMA, Bias Pins and Snap-ins ■ Hermetically sealed – Available in both hermetic and non-hermetic packaging 	<ul style="list-style-type: none"> ■ Rugged construction – Provides protection to filtering element; especially useful for repeated changes in field wiring ■ Design flexibility – 2 to 6 terminals available in either the "Barrier Strip" or European variety ■ Performance – Filter elements provide high insertion loss for EMI filtering of DC power and control lines ■ Reliability – Every terminal block is tested 100% for key parameters ■ European style blocks – Available in English and metric spacing ■ FED/MIL approvals – Barrier strips are recognized to U.L. 1059 file E133076 and approved by CSA Std 22.2 No. 158-1987 and ECN584B, LR92537; 52-160 series 100 VDC UL/CSA 52-257 series 250 VAC UL/CSA
Performance Characteristics	<ul style="list-style-type: none"> ■ Insertion loss range – Effective insertion loss from 1 MHz to 18 GHz with proper installation ■ Capacitance – Pi: 68 pF to 5000 pF Feed-thru: 68 pF to 4000 pF ■ Temperature characteristics – NPO, X7R, Z5U ■ Temperature range – -55°C to +125°C ■ Voltage ratings (max.) – To 250 VDC ■ Current ratings (max.) – To 5 Amps standard 	<ul style="list-style-type: none"> ■ Insertion loss range – Effective insertion loss from 1 MHz to 18 GHz with proper installation ■ Capacitance – Pi: 68 pF to 5000 pF Feed-thru: 68 pF to 4000 pF ■ Temperature characteristics – NPO, X7R, Z5U ■ Temperature range – -55°C to +125°C ■ Voltage ratings (max.) – To 250 VDC ■ Current ratings (max.) – To 5 Amps standard 	<ul style="list-style-type: none"> ■ Insertion loss range – From 1 MHz to 18 GHz ■ Temperature range – -55°C to +125°C ■ Voltage ratings (max.) – To 200 VDC ■ Current ratings (max.) – To 5 Amps 	<ul style="list-style-type: none"> ■ Insertion loss range – Effective insertion loss from 1 MHz to 18 GHz with proper installation ■ Capacitance – 2500 pF to 5200 pF ■ Temperature range – -55°C to +105°C ■ Voltage ratings (max.) – Barrier: to 250 VAC European: to 100 VDC ■ Current ratings (max.) – Barrier: 20 Amps European: 12 Amps
	Pages 105-115 www.spectrumcontrol.com/array	Pages 116-117 www.spectrumcontrol.com/array	Pages 118-121 www.spectrumcontrol.com/mcpck	Pages 122-127 www.spectrumcontrol.com/array

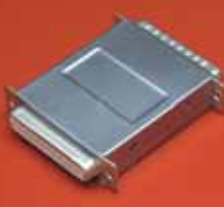






EMI Filters and Filtered Interconnects Selection Guide

FILTERED CONNECTORS				
	Ferrite Filtered D-Subminiature Connectors .318" Footprint	Feed-Thru & Chip-Cap Filtered D-Subminiature Connectors .318" Footprint	High Performance Filtered D-Subminiature Connectors .590" Footprint and Adapters	
Applications				
	Personal computers, microcomputers-applied products and peripheral/terminal equipment	Personal computers, industrial process equipment, cellular base stations, PBX telecommunications equipment, graphics workstations, and medical electronics	Telecommunications base station equipment, 48 volt DC power, switching and transmission equipment, power supplies, industrial equipment, computer work stations, medical electronics	
Features/ Benefits	<ul style="list-style-type: none"> ■ Cost-effective solutions – Low cost, high performance; replaces individual ferrite bead filters, saving cost and space ■ Design flexibility – Available in 9, 15, 25 line standard density, 15-line hi-density and stacked construction ■ Compact design – Short, space saving .318" footprint interchangeable with standard D-subminiature connectors ■ Performance – Gold plated contacts ■ FED/MIL approvals – UL 94V-0 	<ul style="list-style-type: none"> ■ Cost-effective solutions – Low cost, high performance; replaces individual chip capacitor filters on the PCB/ integrated chips, with feed-thru capacitors, or chip-on-board filters, saving cost and space ■ Design flexibility – Available in 9, 15, 25, 37 lines standard density ■ Compact design – Short, space saving .318", .405" and .590" footprint interchangeable with standard D-subminiature connectors ■ Performance – Superior filtering of high frequency interference; ground plane design provides superior EMI shielding; gold plated contacts ■ Reliability – Each connector position is tested 100% for critical electrical parameters to ensure consistent performance ■ FED/MIL approvals – UL 94V-0, UL/CSA recognized 	<ul style="list-style-type: none"> ■ Excellent filtering – Of signal contacts, power and coaxial contacts with high performing coaxial feed-thru capacitors: ground plane design provides superior EMI shielding ■ Design flexibility – Available in a wide variety of mixed versions with different accessories ■ Reliability – Each connector position is tested 100% for critical electrical parameters to ensure consistent performance ■ Options – Available with hardware, gasketing, hooded strain relief 	<ul style="list-style-type: none"> ■ Excellent filtering – Filter types include high performing Pi or feed-thru capacitors; ground plane design provides superior EMI shielding ■ Design flexibility – 9 to 50-line construction, combined power contacts, and selectively loaded lines ■ Reliability – Each connector position is tested 100% for critical electrical parameters to ensure consistent performance ■ Numerous options – Hardware, mounting, waved metal gaskets, hooded strain reliefs, combined filter types, plating, etc. ■ FED/MIL approvals – UL 94V-0, UL/CSA recognized
Performance Characteristics	<ul style="list-style-type: none"> ■ Insertion loss range – 10 to 300 MHz ■ Temperature range – -40°C to +105°C ■ Voltage ratings (max.) – 500 VDC ■ Current ratings (max.) – 5 Amps 	<ul style="list-style-type: none"> ■ Insertion loss range – 1 MHz to 18 GHz and beyond ■ Capacitance and temperature characteristics – To 1500 pF To 47 nF for COB NPO, X7R, Z5U ■ Temperature range – -40°C to +125°C ■ Voltage ratings (max.) – 700 VDC ■ Current ratings (max.) – 5 Amps 	<ul style="list-style-type: none"> ■ Insertion loss range – 1 MHz to 18 GHz and beyond ■ Capacitance and temperature characteristics – 47 pF to 1500 pF ■ Temperature range – -55°C to +125°C ■ Voltage ratings (max.) – 1000 VDC ■ Current ratings (max.) – Coax, 3A, Power 20 A and 40 A 	<ul style="list-style-type: none"> ■ Insertion loss range – 1 MHz to 18 GHz and beyond ■ Capacitance and temperature characteristics – To 5000 pF NPO, X7R, Z5U ■ Temperature range – -55°C to +125°C ■ Voltage ratings (max.) – 1000 VDC ■ Current ratings (max.) – 5 Amps
	<i>Pages 132-136</i> www.spectrumcontrol.com/serf	<i>Pages 137-144</i> www.spectrumcontrol.com/conn	<i>Pages 177-180</i> www.spectrumcontrol.com/combo	
			<i>Pages 149-172</i> www.spectrumcontrol.com/ser700	



EMI Filters and Filtered Interconnects Selection Guide

FILTERED CONNECTORS					
	Series E (ESD/EFT) Transient Protected Connectors	High Density Filtered D-Subminiature Connectors and Adapters	Custom Filtered Connectors	Filtered Miniature Ribbon RJ45 & RJ11 Datacom Connectors	Quietshield Gasketing & Shielding
Applications	 Network servers, firewalls, routers, test and diagnostic equipment, medical monitoring equipment, and I/O interfaces on many PC computer applications	 Telecommunications equipment, personal computers, graphic workstations, VGA applications, medical and industrial process equipment and aerospace applications	 Commercial avionics, satellites, telecommunications, power supplies, electronic warfare, ground/air weapon systems and mining and oil drilling exploration	 Original telephone manufacturing, operating telephone companies, cable reclamation, cable manufacturing and bay connectorization, LANs, WANs, network cards, broadband transmission equipment, workstations, peripherals, fax/modems, copy machines and multiplexing	 Enclosures or cabinets of electronics equipment such as computers, networking and telecom equipment
Features/ Benefits	<ul style="list-style-type: none"> ■ Performance – Complete ESD/EFT protection at the I/O ports and elimination of line-to-line noise problems and spark overs All lines have bi-directional protection Low ground impedance ■ Design flexibility – Standard footprints save valuable board space and reduce additional ground traces ■ Cost effective solutions – Reduction in total component use saves on hidden costs ■ Options – Available in a wide variety of capacitance values, providing EMI protection Numerous mounting and hardware options 	<ul style="list-style-type: none"> ■ Excellent filtering – Filtering high performance feed-thru capacitors; ground plane design provides superior EMI shielding ■ Design flexibility – 15 to 78-line configurations and selectively loaded lines ■ Reliability – Each connector position is tested 100% for critical electrical parameters to ensure consistent performance ■ Numerous options – Hardware, mounting, waved metal gaskets, hooded strain reliefs, plating, etc. ■ FED/MIL approvals – UL 94V-0, UL/CSA recognized 	<ul style="list-style-type: none"> ■ Excellent filtering – Tubular and planar filtered arrays using Pi, LC, T, and C circuits; TVS protection available ■ Design flexibility – Filtered MIL-C-38999 series available in compact and extended shells, MIL-C-83723, MIL-C-26482, MIL-C24308, in extended shell, as well as series 400 and 600 ARINC filtered connectors ■ Reliability – Each connector position is tested 100% for critical electrical parameters 	<ul style="list-style-type: none"> ■ Cost-effective solutions – Modular jack connectors filtered with ferrite or capacitive film Miniature ribbon connectors filtered with chip capacitors ■ Design flexibility – Modular jack connectors available in single or multiport styles Miniature ribbon connectors available in 50-line configurations ■ Reliability – Each connector is tested 100% for critical electrical parameters to ensure consistent performance 	<ul style="list-style-type: none"> ■ Effectiveness – Maintains shielding across seams or gaps Exclusive Quiet Contact provides instantaneous shielding upon initial contact of gasket ■ Design flexibility – Available in a variety of profiles and sizes Custom lengths and shapes available ■ Rugged construction – No creasing or tearing; fabric tensile strength up to 80 pounds/inch Lightweight material of 2.3 to 2.8 ounces/square yard
Performance Characteristics	<ul style="list-style-type: none"> ■ Voltage ratings (max.) – 700 VDC (for 5 seconds) ■ Current ratings (max.) – 5 Amps ■ Capacitance and temperature characteristics – 50 pF to 47,000 pF ■ Insulation resistance – 500MΩ 	<ul style="list-style-type: none"> ■ Insertion loss range – 1 MHz to 18 GHz and beyond ■ Capacitance and temperature characteristics – To 5000 pF NPO, X7R, Z5U ■ Temperature range – -55°C to +125°C ■ Voltage ratings (max.) – 1000 VDC ■ Current ratings (max.) – 5 Amps 	<ul style="list-style-type: none"> ■ Insertion loss range – Effective insertion loss from 1 MHz to 18 GHz with proper installation ■ Capacitance and temperature characteristics – To 0.1 μF COG, X7R, Z5U ■ Temperature range – -55°C to +125°C ■ Voltage ratings (max.) – 125 VAC @ 400 Hz 	<ul style="list-style-type: none"> ■ Insertion loss range – 1 MHz to 18 GHz and beyond ■ Capacitance – Up to 820 pF ■ Temperature range – -55°C to +125°C ■ Voltage ratings (max.) – 1000 VDC (Miniature ribbon connectors) 707 VDC (Modular jack connectors) ■ Current ratings (max) – 5 Amps 	<ul style="list-style-type: none"> ■ Shielding – Superior shielding effectiveness of 70 dB between 1 MHz to 18 GHz
	Pages 181-184 www.spectrumcontrol.com/sere	Pages 145-148 www.spectrumcontrol.com/ser600	Pages 204-231 www.spectrumcontrol.com/cusconn	Pages 185-192 www.spectrumcontrol.com/data	Pages 233-243 www.spectrumcontrol.com/quietshield



Spectrum Control's Expertise

As a complete source of EMC solutions, Spectrum Control combines state-of-the-art test facilities with proven expertise in the design and manufacture of EMI/RFI filtering components.

To ensure filtering performance appropriate for the application, we utilize both tubular and discoidal capacitors, and C or Pi type filter elements. For pass-band requirements above 50 MHz, we provide unfiltered, insulated feed-thru lines.

For additional information or assistance, contact your local Spectrum Control representative or our Customer Engineering Department.

Spectrum Control Offers:

Engineering support – Our engineering staff, with many years of experience in designing EMI filters, has developed sophisticated computer models to help us provide rapid and cost effective EMI solutions. Following an evaluation of your needs, we will produce an economical, space efficient filter, satisfying your compliance requirements.

Reduced lead times and volume production – Our vertical integration as a ceramic capacitor and filter producer enables us to reduce lead times for both prototyping and production orders . . . ensuring on-time delivery.

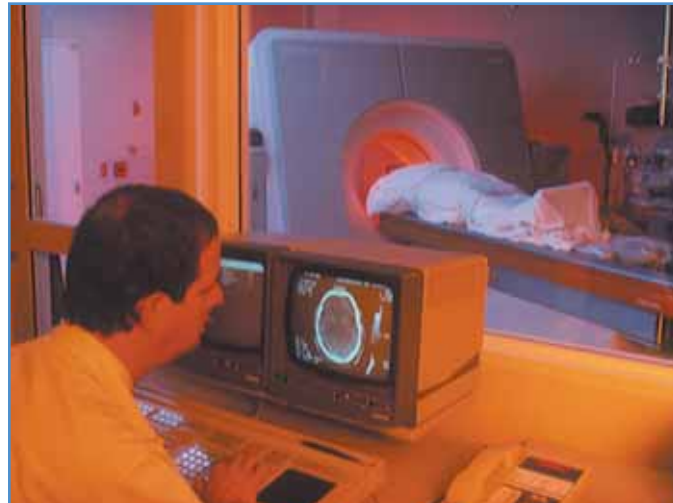
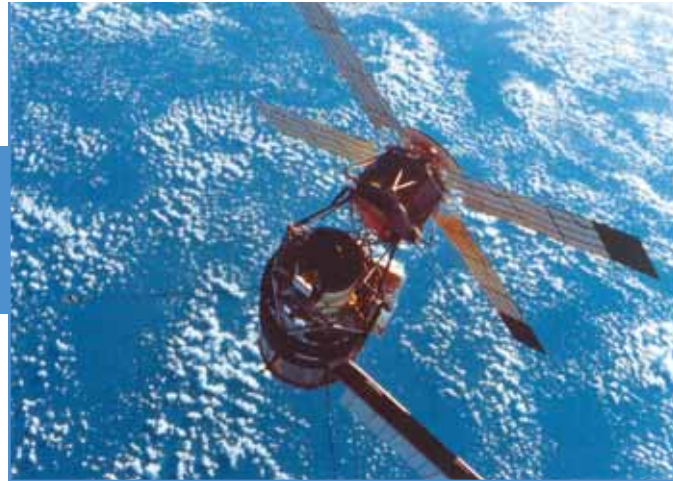
Custom designs – Through the use of all available ceramic capacitor options including tubular and discoidal capacitors, we offer maximum design versatility to meet the needs of any unique application. Filters are available in simple IC or Pi types, as well as any combination of capacitor, inductor, circuit voltage protection devices, such as diodes are also available.

Full qualification testing – In addition to our integral quality assurance process, we offer testing in compliance with MIL-F-28861, MIL-F-15733, MIL-STD-202 and other filter and connector specifications.

Customer support programs – We will work closely with your organization to help improve the final design and performance of your products, as well as increase your manufacturing and operational efficiency. Spectrum Control has instituted a variety of programs designed to maximize these opportunities.

- Flexible manufacturing to cut cycle times and meet deadlines
- EDI to streamline the transmitting of information
- Inventory Management through flexible shipping programs
- Consignment/schedule sharing programs to accommodate customers' forecasts
- Broader distribution base to make our products more readily available and accommodate vendor reduction plans
- New product development geared to meeting customer-specific requirements and targets

SPECTRUM CONTROL INC. • 8031 Avonia Rd. • Fairview, PA 16415 • Phone: 814-474-2207 • Fax: 814-474-2208 • Web site: www.spectrumcontrol.com
SPECTRUM CONTROL GmbH • Hansastrasse 6 • 91126 Schwabach, Germany • Phone: (49)-9122-795-0 • Fax: (49)-9122-795-58



Spectrum Control Inc. is

ISO 9001
CERTIFIED



Spectrum Control's Expertise

The Foundation: Ceramic Capacitors

Inside every Spectrum Control EMI filter is a ceramic feed-thru capacitor. Spectrum Control Technology Inc. has engineered a line of ceramic capacitors designed to provide solutions to a wide range of filtering applications. Our tubular and discoidal feed-thru capacitors offer enhanced performance to help you satisfy varied voltage, capacitance, and packaging requirements.

All Spectrum Control Technology Inc. ceramic capacitors are manufactured in our world-class ceramic facility which features highly automated, state-of-the-art equipment. By controlling the formulation of the ceramic material and the manufacturing process, Spectrum ensures the foundation of our EMI filters . . . the capacitor, is of the highest quality.

The Spectrum Commitment

Spectrum Control, Inc. is committed to Operational Excellence . . . an all-consuming customer focus, embodied in our unbending commitment to quality, flexible and responsive factories, faster time to market, and organizational excellence.

We offer a comprehensive line of EMI/RFI filters, capacitors, filter plates, filtered connectors filtered terminal blocks, power line filters and EMC testing services for major OEM's serving a variety of industries throughout the world . . . telecommunication, computers, aerospace, military, instrumentation, medical devices and industrial controls. Our worldwide sales channels include distribution, as well as direct manufacturers representatives.

Our commitment to Operational Excellence enables us to provide innovative EMC solutions which meet our corporate mandate for world-class value, quality, and delivery. Spectrum Control Inc.'s manufacturing facilities have been audited and qualified to MIL-I-45208, and certified ISO 9001.

Dedication to Quality

Spectrum Control has invested the resources necessary to establish the most efficient and accurate design, material, assembly and testing procedures. The Spectrum production process is an outgrowth of our Quality Management System which instills in every member of the Spectrum team a single-minded purpose of achieving defect-free production. We're proud to produce the highest quality and most reliable EMI filters, capacitors, and filtered connectors in the world.



The EMC Test Solution

Our commitment to our customers goes much further than any other EMI filter manufacturer; we provide solutions to your EMI problems. That is why we have a fully equipped Electromagnetic Compatibility Test Laboratory and the expertise to solve the most demanding EMC challenge.

We can test your equipment, system, or sub-system to various domestic and international regulatory standards, determine state of compliance, and bring your equipment into compliance with the most cost effective solution. These services are available for a modest daily fee that is often lower than many EMC test houses charge for simply determining compliance or noncompliance.

No other EMI filter manufacturer can offer this total solution and the wide range of available Spectrum Control EMI filtering products.

For additional information regarding Spectrum Control, our EMI filtering products and our many new products, call us or contact our web site at <http://www.spectrumcontrol.com>



Application Guidelines

Sources of EMI

Electromagnetic interference occurs naturally from terrestrial sources such as lightning discharges, precipitation, and sand and dust storms, in addition to cosmic noise emanating from sources within and outside our solar system. Man-made sources include power lines, rotating machinery, ignition systems, television and radio receivers, fluorescent lights, power amplifiers, computing devices and transmitters of all types.

Interference Suppression

Filter networks suppress electromagnetic interference in two basic ways. The capacitor elements shunt the interference to ground, and the series inductor elements raise the impedance of the line making the shunt capacitor elements even more effective.

Capacitor Elements

The types of capacitors used in Spectrum Control filters are often referred to as feed-thru capacitors due to their physical geometry.

The feed-thru design results in greatly reduced self-inductance compared to standard leaded capacitors. Also, this design effectively prevents radiation from the input coupling directly with the output of the capacitor, unlike leaded or chip capacitors. The combination of low inductance and high input/output isolation provides excellent shunting of EMI for frequencies up to and beyond 1 GHz.

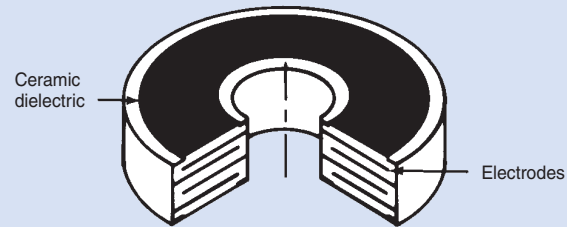
The simplest feed-thru type is a ceramic tube that may have buried electrodes and can be constructed as a single capacitor or as two capacitors, as used in a Pi section filter. This type of device can have capacitance values from 10 pF to 0.1 μ F and typical working voltage ratings up to 2500 VDC. Due to the simple construction, these capacitors are very efficient at frequencies up to 10 GHz and exhibit no pronounced resonances.

Multilayer monolithic discoidal capacitors are used for very high capacitance parts in standard sizes or for smaller filters where the required capacitance cannot be achieved by a ceramic tube. This type of capacitor consists of alternate layers of opposite polarity electrodes separated by a ceramic dielectric. Typical capacitance values from 100 pF to 10 μ F are available with working voltages up to 400 VDC.

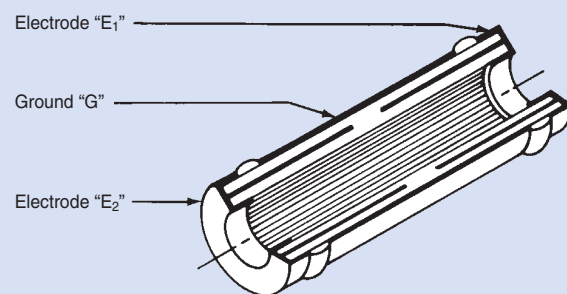
Inductive Elements

Ferrite sleeves are used with tubular capacitors since they can be conveniently accommodated inside the tube to provide a very compact filter. They are also used with discoidal capacitors in some applications. Wound inductors are used with discoidal capacitors to provide very high performance filters.

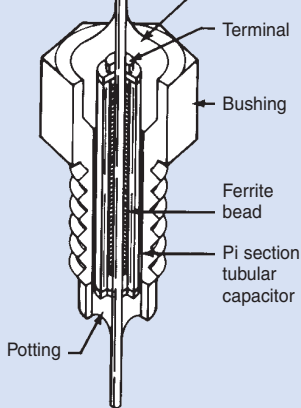
Multilayer Discoidal Capacitor



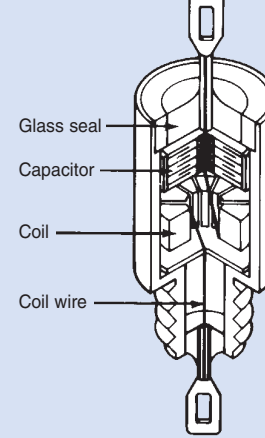
Embedded Electrode Tubular Capacitor



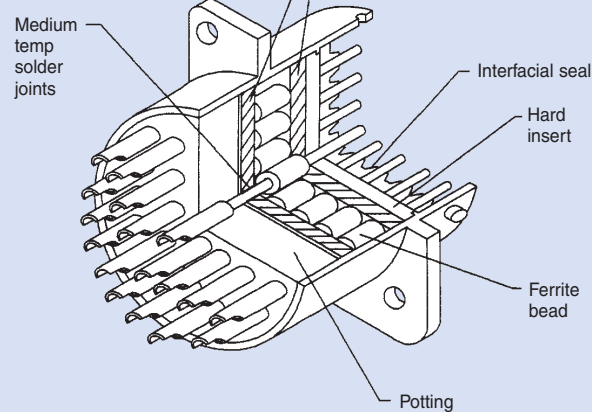
Resin Sealed Filter



Hermetically Sealed Filter



Circular Filtered Connector





Application Guidelines

Low Pass EMI filters are available in the following circuit configurations, schematics are shown at right.

C Filter

The C filter is a three terminal feed-thru capacitor. It is used to attenuate high frequency signals.

L Filter

An L filter consists of one inductive element and one capacitive element. This type of filter can offer high impedance or low impedance input depending upon its orientation in the circuit. It is most commonly used in applications where one has a high impedance load and a low impedance source (see LT), or where one has a high impedance source and a low impedance load (see LB).

Pi Filter

The Pi filter contains two capacitive elements and one inductive element. It presents a low impedance to both the source and the load. Because of the additional element, it provides better high frequency performance than the C or L configurations. Due to the possibility of 'ringing', Pi filters are not recommended for switching applications.

Transient Suppression Pi Filter

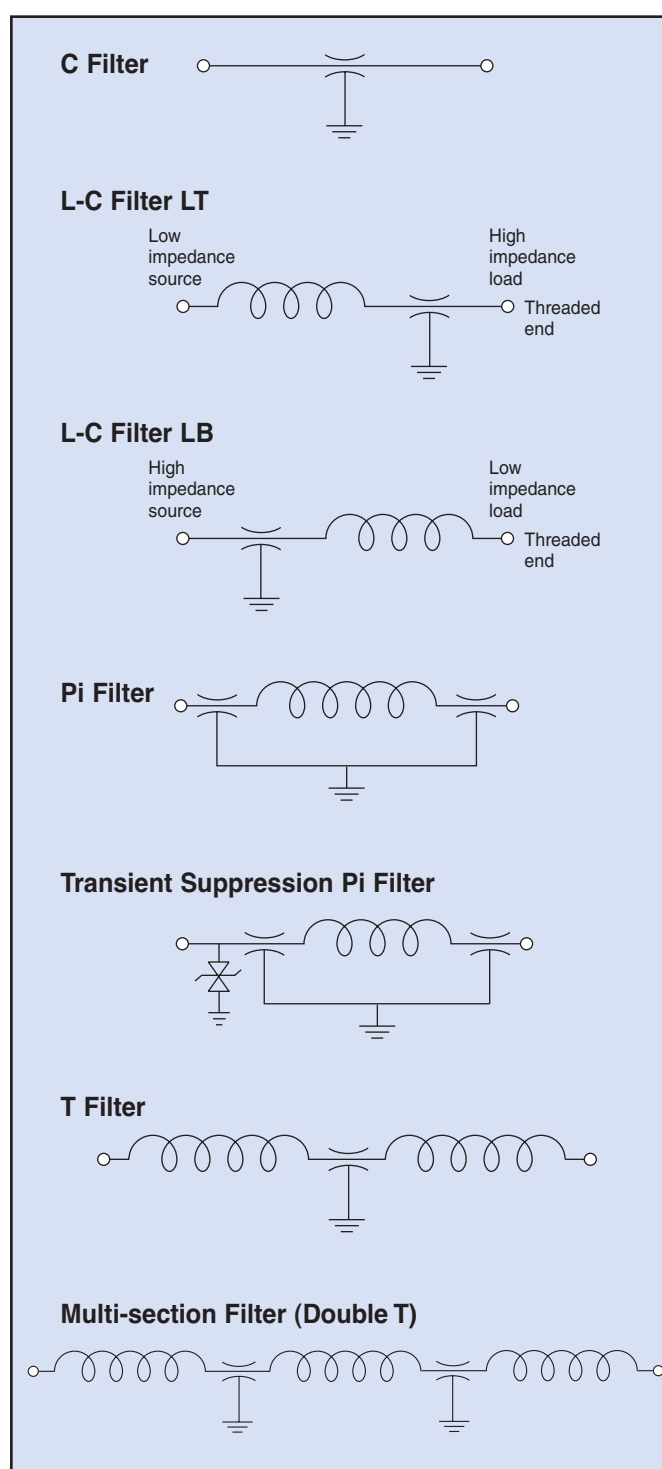
The Transient Suppression Pi filter consists of a Pi filter with a transient suppressor at the input to the filter. The filter supplies the high frequency performance of the Pi filter with the added protection of the transient suppressor to protect the circuit from voltage spikes on the line.

T Filter

The T filter consists of two inductive elements and one capacitive element. This circuit configuration presents a high impedance input from either end. It has similar filter performance to the Pi circuit configurations. It does not have the ringing characteristic of the Pi filter and can be used in switching applications.

Multi-section Filter (Double T)

Spectrum's multi-element filters are designed for optimum insertion loss in circuits with a relatively low source and load impedance. These filters are also recommended in any application where a high degree of filtering is required. The unit utilizes an inductor input for the best compatibility with a MIL-STD-461 test setup (10 μ F feed-thru capacitor).





Application Guidelines

Insertion Loss Measurement

Insertion loss (IL) is a measure of the effectiveness of a filter. It is defined as the ratio of the voltage (E1) across the circuit load without the filter and the voltage (E2) across the load with the filter. Since insertion loss is dependent on the source and load impedance in which the filter is to be used, IL measurements are defined for a matched 50 ohm system. The insertion loss is measured in decibels (dB) and defined as follows:

$$IL \text{ (dB)} = 20 \log \left[\frac{E1}{E2} \right]$$

Circuit Impedance vs. Insertion Loss

In practical circuit applications the source and load impedances may be quite different from 50 ohms. If these impedances are known, Spectrum engineering can provide information on the expected Insertion Loss or an estimate can be made using the following formula:

$$IL \text{ (dB)} = 20 \log \left[1 + \frac{Z_s Z_l}{Z_t (Z_s + Z_l)} \right]$$

Where Z_s = Source impedance in ohms
 Z_l = Load impedance in ohms
 Z_t = Transfer impedance in 50 ohm system

Example:

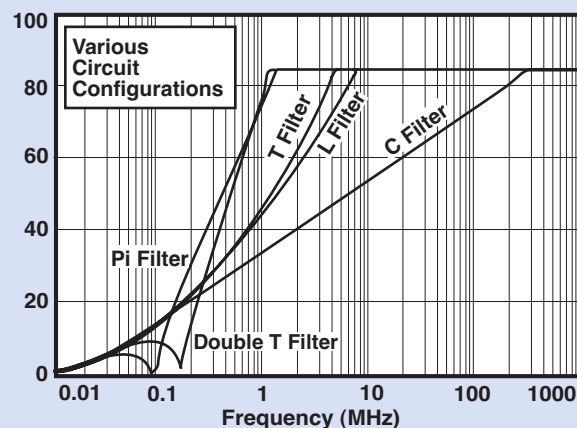
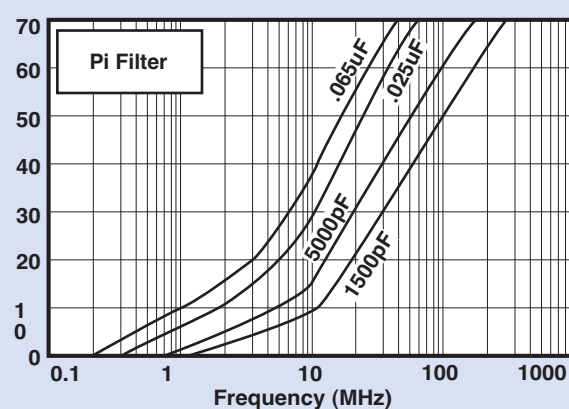
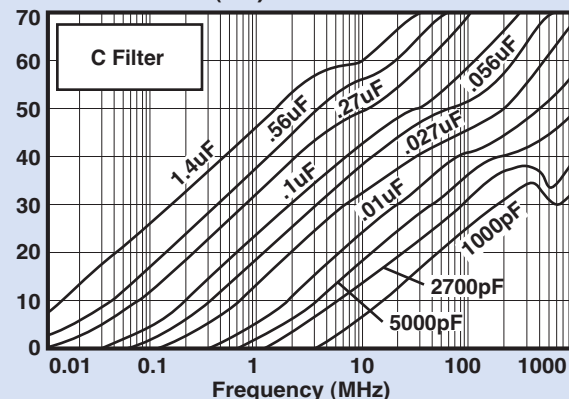
1. System source and load impedances are 100 ohms and 600 ohms respectively.
2. Selected filter has insertion loss of 50 dB at 100 MHz in a 50 ohm system.
3. From the IL vs Transfer Impedance curve (right) the transfer impedance is 0.08 ohms.

$$4. IL = 20 \log \left[1 + \frac{100 \times 600}{0.08 (100+600)} \right]$$

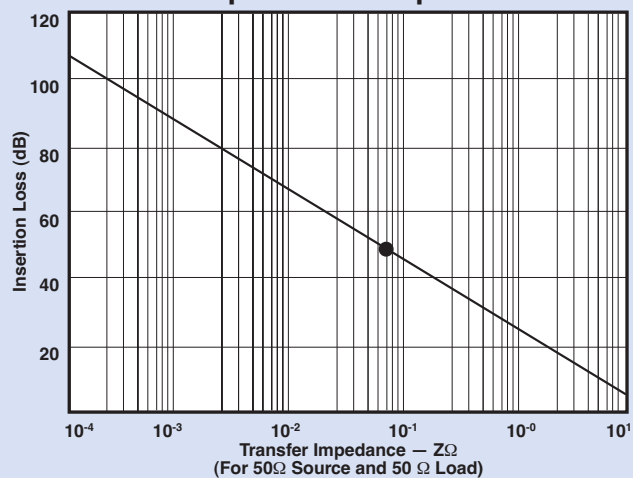
$$= 20 \log 1072$$

$$= 61 \text{ dB}$$

Insertion Loss (dB)



Transfer Impedance Graph





Application Guidelines

Surface Mount Filters

Surface mount filters are rated at currents up to 20 amps for achieving electromagnetic compatibility on high current printed circuit boards. These filters are available in feed-thru and Pi circuit configurations. Tape and reel packaging is available to enable pick and place equipment installation of this product, saving time and cost compared to thru-hole filters.

Resin Sealed Filters

Resin sealed filters offer a wide variety of packages to accommodate your size and mounting requirements. Miniature solder-in (low profile) filters are constructed with a discoidal and are glass sealed on one end to provide hermeticity between compartments. Solder-in filters provide a compact, low cost Pi or C filter that can be soldered into a bulkhead. High current/high voltage bolt-in filters featuring current ratings up to 100 ADC or rated voltages up to 2500 VDC.

Hermetically Sealed Case Filters

Glass seal filters are used where a rugged, hermetically sealed filter is required. They consist of discoidal capacitors with or without ferrite sleeves or wound inductors in 1/4-28 or 5/16-24 threaded cases. Through the use of discoidal capacitors and wound inductors, high capacitance and inductance values can be achieved. Hermetically sealed filters provide very high EMI filtering performance.

Filtered Arrays

The filtered array product offers flexibility to customers in choosing an efficient and cost effective solution to solving EMC issues. The filtered array product line encompasses our filter plates and filtered terminal blocks. Filter plates involve multiple filter elements packaged into a metal ground plate. We offer both the patent pending Easy Mate® family of filter plates or traditional Bolt-in style plates. Standard filter plates are available in 0.100" or 2mm centers, with many other configurations possible.

Filtered Connectors

Spectrum Control's filtered connectors offer the most complete selection of products in the industry. Our products range from standard D-subminiature filtered connectors to more complex circular and ARINC connectors. Custom solutions are available, and our engineering support team will work closely with your engineering staff to solve your EMC problems at the I/O interface.





EMC Testing Services

Spectrum Control has the EMC expertise and in-house filter solutions you need to meet worldwide EMC standards.

Our EMC testing services offer you a flexible resource to assist in product development by identifying and correcting EMI susceptibility and/or emission problems. Spectrum Control has a fully equipped EMC test laboratory and experienced engineering staff ready to solve demanding EMC challenges. For a modest daily fee we can test your equipment, determine state of compliance, and work with you in developing a viable solution. It is not uncommon for clients to leave our lab with a prototype in hand.

EMC Lab Highlights

- NARTE Certified Staff
- Semi-anechoic chamber
- Computer controlled instrumentation
- Graphical data presentation in multiple formats
- Fiber optic video monitoring system

Testing Capabilities

MILITARY

- MIL-STD-461 A/B/C/D/E
- MIL-STD-1399

AUTOMOTIVE

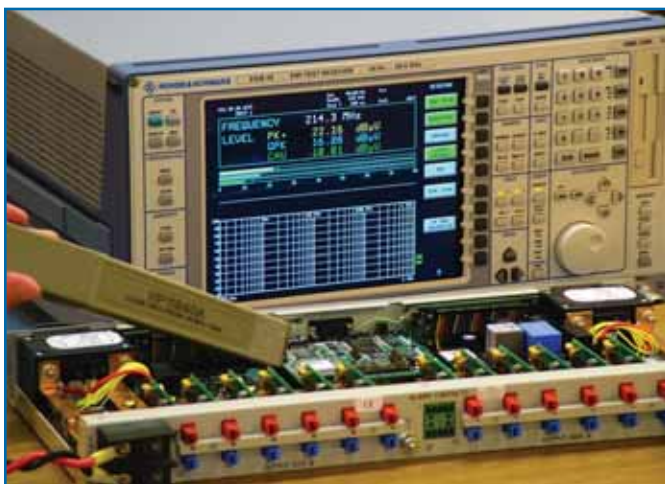
- CISPR 25 Test Methods

COMMERCIAL

- FCC-Part 15
- RTCA/DO-160 A/B/C/D
- GR-1089-CORE

INTERNATIONAL

- EN55011/CISPR 11
- EN55014/CISPR 14
- EN55022/CISPR 22
- EN61000-4-2 Electrostatic Discharge
- EN61000-4-3 Radiated RF Immunity
- EN61000-4-4 Electrical Fast Transient
- EN61000-4-5 Surge
- EN61000-4-6 Conducted RF Immunity





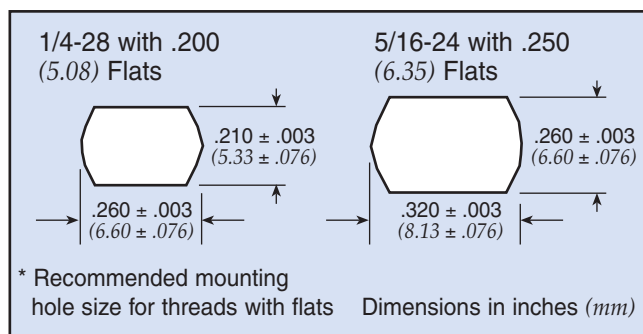
Filter Installation

Threaded Style Filters

Filter Thread Size	Maximum Mounting Torque		Mounting Hole Dia.		Drill Size	
	in-lbs	Nm	(in)	(mm)	English	Metric (mm)
4-40	1.5	0.170	0.120	3.05	# 31	3.10
6-40	3	0.339	0.147	3.73	# 26	3.75
6-32	3	0.339	0.147	3.73	# 26	3.75
8-32	4	0.452	0.173	4.39	# 17	4.40
10-32	4	0.452	0.190	4.83	# 8	5.10
12-28	6	0.678	0.228	5.79	# 1	5.80
12-32	6	0.678	0.228	5.79	# 1	5.80
1/4-28 *	7	0.791	0.261	6.63	# G	6.70
5/16-24 *	7	0.791	0.323	8.20	# P	8.25
5/16-32	7	0.791	0.323	8.20	# P	8.25
3/8-32	9	1.017	0.386	9.80	# W	9.90

Note: For 5/8-24 and 7/16-28 please refer to the specific instruction noted on part drawings or see page 84 of the catalog.

- Exceeding recommended mounting torque may result in damage to the capacitor within the filter due to possible twisting or elongation of the case.
- For product without hex surfaces do not hold the filter with pliers or other gripping tools. Pressure exerted on the filter case may crack the ceramic capacitor element.
- Proper use of filters requires that the filter case be adequately grounded to form an effective path for the interference.



Solder-in Style Filters

- A controlled temperature profile not exceeding 6°F (3°C) per second is recommended when soldering filters.
- When soldering to terminals of a filter, a heat sink should always be used adjacent to the body of the filter.
- 60-40 solder is recommended for installation of the filter into the chassis as well as soldering to the terminals. If a filter style without an eyelet is being soldered into a chassis, iron processes should be avoided and the recommended solder alloy is 60-38-2.
- Installation hole size for a solder-in filter should be 0.003-0.005" over the maximum tolerance of the minor diameter of the mounting portion of the eyelet with a ±0.002" tolerance.
- Machine/oven soldering 385-415°F (195-210°C) using a dwell and cycle time fast enough to reflow the solder and ramped to maintain less than 6°F/sec rate of change.

- For iron soldering to filter body, preheat components at 250-300°F (120-150°C), solder iron is recommended to be set at 500-550°F (260-290°C). The dwell on the solder joint should be less than 5 seconds. The time is dependent on the heat sinking provided by the chassis so a longer preheat may be required.

Soldering to Filter Terminals

- Use a temperature controlled soldering iron with tip temperature of 525 ± 10°F (275 ± 5°C).
- Use an SN 63 RMA flux core solder.
- Make mechanical wire connection.
- Use heat sink next to filter body where possible.
- Clean soldering iron tip.
- Clip end of solder (remove 0.5") to expose flux for soldering.
- Apply soldering iron to wire/flag junction at wetted solder tip region of iron (Wetted Bridge Method). Immediately apply solder. Dwell time for soldering iron tip on product should be 3-5 seconds maximum.



EMI/RFI Filter and Capacitor Performance Testing

The resin sealed and hermetically sealed filters shown in this section have been designed to meet the requirements of this test plan as applicable. Group I tests are typically performed on most product. Groups II, III and IV tests are performed per specification requirements.

The information shown can be used as a basis for filter specifications. (Contact factory for additional details if necessary.)

Test Group	Order of Test	Examination or Test	Test Method	Post Test Requirements
I	*1	Visual and Mechanical Examination		In accordance with applicable requirements.
	*2	Materials, Designs, Construction and Workmanship		
	*3	Physical Dimensions and Marking		
	*4	Seal	Method 112 [†] , Condition A	No leaks. Not applicable to resin sealed or solder-in products.
	*5	Capacitance	Method 305 [†] , 1KHz. 2.5 VRMS Max. 25°C	Within specified tolerance.
	*6	Dielectric Withstanding Voltage	Method 301 [†] , 2.5 times, DCWV, 5 seconds, 50 Ma max. charging current	No evidence of damage or breakdown.
	*7	Insulation Resistance	Method 302 [†] at DCWV, at 2 minutes 50 ma charging current	Greater than 1000 megohms or 100 ohm farads, whichever is less.
	*8	Voltage Drop	MIL-F-15733, Paragraph 4.6.8	Per applicable requirements.
	*9	Insertion Loss	MIL-STD-220, 3pc, sample only	Per applicable requirements.
II	1	Temperature Rise	MIL-F-15733, Paragraph 4.6.4	Per applicable requirements.
	2	Overload	MIL-F-15733, Paragraph 4.6.10	Per applicable requirements.
	3	Barometric Pressure	Method 105 [†] , Test Condition B hi-pot, (per method 301 [†]) at 1.25 times DCWV	No evidence of damage or breakdown.
	4	Shock	Method 213 [†] , Test Condition I	No mechanical damage, Insulation resistance greater than 500 ohm farads, whichever is less.
	5	Vibration	Method 204 [†] , Test Condition B for Glass Seal, Condition D for Resin	No mechanical damage, Insulation resistance greater than 500 megohms or 50 ohm farads, whichever is less.
	6	Moisture Resistance	Method 106 [†]	Insulation resistance greater than 500 megohms or 50 ohm farads whichever is less.
III	1	Terminal Strength	Method 211 [†] , Test Condition A, 5 lbs.	No evidence of loosening or rupturing of terminal.
	2	Resistance to Soldering Heat	Method 210 [†] , Test Condition B, Depth of immersion 1/16 plus or minus 1/32	Insulation resistance greater than 500 megohms or 50 ohm farads whichever is less.
	3	Thermal Shock	Method 107 [†] Test Condition A -55°C to +125°C	Insulation resistance greater than 500 megohms or 50 ohm farads whichever is less.
	4	Immersion Cycling	Method 104 [†] Test Condition A	Insulation resistance greater than 500 megohms or 50 ohm farads whichever is less.
IV	1	Solderability (5pcs only)	Method 208 [†]	Per applicable requirements.
	2	Life	Method 108 [†] , Test Condition D with 125% rated voltage at maximum operating temperature	Filters shall meet all initial requirements except insulation resistance shall not be less than 50% of initial guaranteed value.

* Acceptance tests typically performed on most products.

[†] Methods are from MIL-STD-202



EMI/RFI Filter and Capacitor Performance Testing



Reliability Levels

Class B

Class B is outlined in MIL-F-28861 and is prescribed for most military/aerospace requirements. It is more stringent than MIL-F-15733 requiring 100% screening that includes thermal shock, voltage conditioning and x-ray.

Periodic Group B testing is performed on units selected at random from production lots.

Class B Test Sequence Summary

Inspection	Class B
Group I	
AC voltage drop (when applicable)	X
Voltage and temperature limits of capacitance	X
Insertion loss (at temperature)	X
Barometric pressure (reduced)	X
Temperature rise	X
Current overload	X
Terminal strength	X
Thermal shock and immersion	X
Group II	
Subgroup 1	
Life	X
Subgroup 2	
Resistance to soldering heat	X
Salt spray (corrosion)	X
Radiographic inspection	X
Subgroup 3	
Resistance to solvents	X
Group III	
Shock (specified pulse)	X
Vibration (high frequency)	X
Moisture resistance	X
Seal (when applicable)	X
Radiographic inspection	X

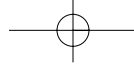
“R” level testing

“R” level screening is performed by Spectrum Control’s Hi-Rel Laboratory as detailed below. Customers requiring special tests may order to their own specifications or simply order to level R and then note additions or deviations.

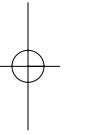
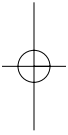
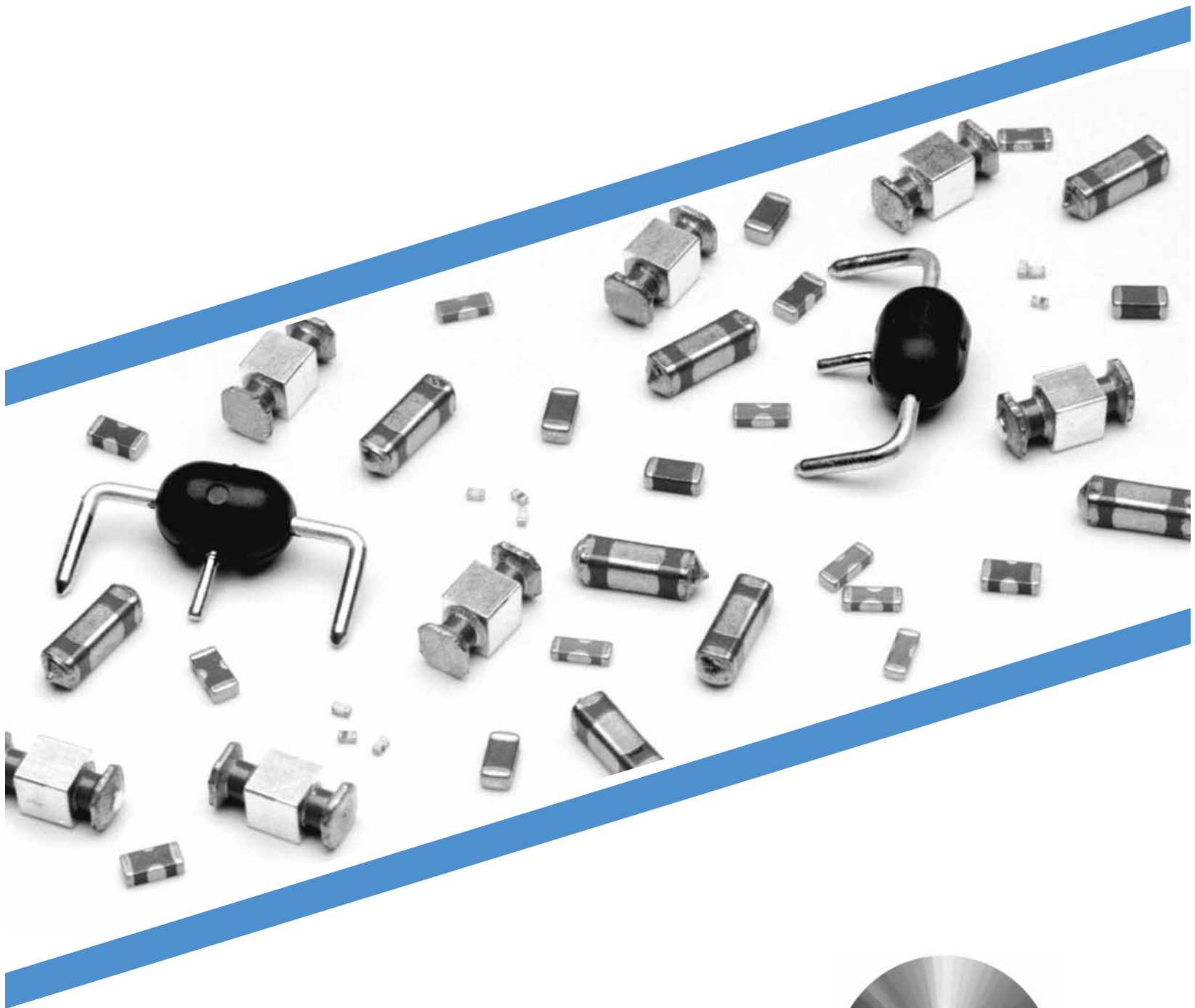
“R” level test sequence

(100% testing unless otherwise specified)

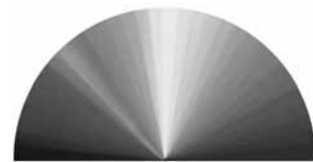
- Thermal Shock: 5 cycles from -55°C to +125°C in accordance with MIL-STD-202, Method 107D, Condition A.
- Burn-in: 100 hours at 1.4x rated DC voltage, 125°C.
- Seal Test: MIL-STD-202, Method 112, Test Condition A. Hermetic seal parts only.
- Capacitance and Dissipation Factor: MIL-STD-202, Method 305, frequency 1kHz.
- Dielectric Withstanding Voltage: 2.5 times the rated DC voltage for 5 ± 1 second at 25°C, with 50 mA maximum charging current.
- Insulation Resistance: MIL-STD-202, Method 302, 125°C at rated DC voltage and room temperature (25°C). The 125°C requirement shall be 10% of the specified catalog IR at 25°C.
- DC Resistance: MIL-STD-202, Method 303.
- Insertion Loss Test — Sample per MIL-F-15733. At full rated load in accordance with MIL-STD-220. The minimum insertion loss shall be defined in the filter catalog.
- Visual and Mechanical: in accordance with MIL-F-15733.
- Marking: All filters which have successfully completed the test sequence shall be marked with an “R” in the second part of the number. For example, a standard SCI-2130-004 becomes SCI-R2130-004 and 9051-100-0000 becomes 9051-R100-0000, and 51-719-011 becomes 51-R719-011 after completion of the Hi-Rel Level “R” Test Sequence.



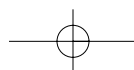
Surface Mount Filters and Inductors



ISO 9001 CERTIFIED **QS 9000** CERTIFIED



SPECTRUM CONTROL INC.
A Control Products and Systems Company
Signal and Power Integrity Group





Surface Mount Filters and Inductors Selection Guide

Ferrite Chip Beads

- Available in standard or power versions
- Offered in EIA sizes 0402, 0603, 0805, 1206, 1806 and 1812
- Tape and Reel packaging

Spectrum ferrite chip beads provide EMI attenuation (without grounding) in a broad range of inductance values. Standard sizes feature values of 5Ω to 2,000Ω at 100 MHz. These multilayer chip beads are suitable for flow or reflow soldering and achieve excellent solderability from the nickel barrier and solder overplate design.

Ferrite Chip Beads22-29
Ferrite Power Beads30-35

Ferrite Inductors

- Available in standard EIA sizes 0603, 0805 and 1206
- Tape and Reel packaging
- Inductance range of .047 to 12μH

Ferrite inductors prevent electromagnetic interference to signals in high-density circuits and prevent crosstalk with a closed magnetic circuit. These inductors feature high Q characteristics and a wide range of inductance values. Spectrum ferrite inductors have a smaller footprint than standard wirewound inductors and are designed to save valuable board space. Ferrite inductors are suitable for flow or reflow soldering.

Ferrite Inductors36-39

Ceramic Inductors

- Available in standard EIA sizes 0402, 0603 and 0805
- Tape and Reel packaging
- Inductance ranges of 1.0 to 100nH

Ceramic chip inductors are designed to address surface mount inductor needs in high frequency circuits, featuring high Q characteristics at high frequency and self-resonant frequency. These inductors may be used at a frequency up to 6 GHz with Q values of 10 to 23 at 100 MHz, up to 63 at 800 MHz. Ceramic inductors offer excellent solderability for flow or reflow soldering.

Ceramic Chip Inductors40-43

Three Terminal Chip EMI Filters

- SMD chips in EIA 0805, 1205, and 1806 body sizes
- Rated to 2 amps
- Capacitance values from 22 to 220,000 pF
- Several ceramic characteristics available
- Supplied on T&R for easy placement (Bulk also available)

Spectrum Control three terminal chips offer excellent filtering performance in high-current applications. These non-polar, surface-mountable chips offer superior ability to withstand transient voltages and surge. Other characteristics include exceptional solderability and resistance to solder heat.

Three Terminal Chips 48-51
Three Terminal Chips Soldering Specifications 52
Three Terminal Chips Packaging Specifications..... 53



Surface Mount Filters and Inductors Selection Guide

Other Key Pages	Pages
Filter Installation	16
Performance Testing	17-18
Military Cross Reference	237-239
Terminology	44
Land Patterns and Soldering Profiles	45
Packaging and Storage	46
Competitive Cross Reference	47

LC Type Chips

- SMD chips in EIA 0805 and 1206 body sizes
- Available with cut-off frequencies from 10 MHz to 220 MHz
- Steep insertion loss (IL) curves

LC chips are ideal for use in high frequency signal lines as high-efficiency surface mount filters. These non-polar chip filters are effective over a wide range of frequencies and feature steep insertion loss characteristics. LC type chips are of monolithic construction utilizing dielectric and ferrite materials.

LC Type Chips54-55

Square Surface Mount EMI Filters

- Square geometric for enhanced SMD soldering
- Pi circuits up to 10 amps
- Capacitance values up to 4000 pF
- Rated up to 100V DC

Square surface mount EMI filters are designed to filter EMI/RFI on crowded printed circuit boards at currents up to 10 amps. These filters eliminate the need for thru-hole filters, thereby giving the designer the ability to create an "RF fence" without using high-cost RF bulkheads. Spectrum square surface mount EMI filters are of high temperature construction and may be installed utilizing pick-and-place equipment.

SSM Series56-61

High Current Power SMD EMI Filters

- PSM series
- Handles up to 20 amps
 - 20 amps for Feed-Thrus
 - 10 amps for Pi
- Rated up to 200V DC
- Capacitance values of 68 pF to 10,000 pF
- Superior performance in GHz applications

Spectrum Control high current power SMD EMI filters are the first surface mount filters designed to effectively filter EMI/RFI on printed circuit boards operating at currents up to 20 amps. These filters are of high temperature construction and offer superior high frequency noise suppression.

PSM Series56-61

High Frequency Thru-Hole PCB Filters

- Thru-hole design available in two configurations
- Encapsulated capacitive and Ferrite to protect against environmental concerns

High frequency thru-hole PCB filters aid in meeting FCC and VDE requirements by providing EMI filtering for protection of low power digital circuits. These filters mount directly to printed circuit board, allowing the filter to be flow soldered with other components. Placement of one of these filters at the EMI problem source could eliminate the need for additional filtering at other circuit points.

PCB Filters62

Surface Mount Filters & Inductors



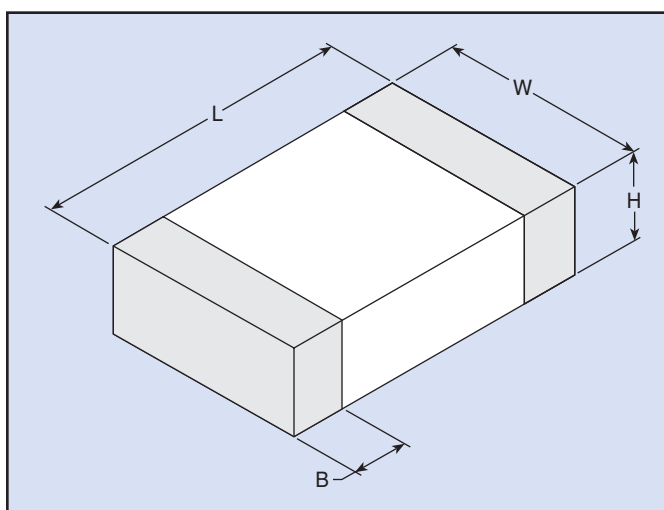
Surface Mount EMI Filters Ferrite Chip Beads

Features

- Multilayer design
- Available in standard EIA/EIAJ chip sizes (0402/1005, 0603/1608, 0805/2012, 1206/3216, etc.)
- Excellent solderability is achieved from a nickel barrier with a solder overplate
- Provides EMI attenuation without grounding
- Broad range of impedance values available (standard line has values of 5 Ω to 2,000 Ω at 100 MHz)
- Closed magnetic circuit
- Parts are suitable for flow or re-flow soldering
- Available in tape and reel for easy placement
- Operational temperature range of -55°C to +125°C

Applications

- Telecommunications equipment (cellular phones, cordless phones, faxes and ISDN's)
- Digital audio/visual equipment (TV, HDTV, VTR, DVD, CATV tuners and etc.)
- GPS and car navigation equipment
- High speed clocks
- Consumer electronics
- Signal lines
- LAN and WAN hardware



Surface Mount Filters & Inductors

Part Numbering System

Example: **FCB-0603-B102P7**

FCB	-	0603	-	B	102	P	7
Series		Part Size		Material Characteristic	Impedance Value	Tolerance Code	Packaging
Ferrite Chip Beads		EIA Size (Length x Width)		Determined by the desired electrical characteristic	10(2) (2) = the # of zeros that will follow the first two digits Example: 10(2) = 10 followed by 2 zeros = 1,000 Ohms	Standard Value is P P = $\pm 25\%$ M = $\pm 20\%$ K = $\pm 10\%$ J = $\pm 5\%$	7 = 7 inch reel 3 = 13 inch reel

Land Patterns and Soldering Temperature Profiles

- See page 45.

Packaging Specifications and Storage Requirements

- See page 46.



Surface Mount EMI Filters Ferrite Chip Beads

RoHS
COMPLIANT

Physical Characteristics

Size		Physical Dimensions			
EIA	EIAJ	Length (L)	Width (W)	Height (H)	Termination Band (B)
0402	1005	0.039 ± 0.004 (1.00 ± 0.10)	0.020 ± 0.004 (0.50 ± 0.10)	0.020 ± 0.004 (0.50 ± 0.10)	0.010 ± .004 (0.25 ± 0.10)
0603	1608	0.063 ± 0.006 (1.60 ± 0.15)	0.031 ± 0.006 (0.80 ± 0.15)	0.031 ± 0.006 (0.80 ± 0.15)	0.014 ± 0.006 (0.36 ± 0.15)
0805	2012	0.079 ± 0.008 (2.00 ± 0.20)	0.049 ± 0.008 (1.25 ± 0.20)	0.035 ± 0.008 (0.90 ± 0.20)	0.020 ± 0.010 (0.51 ± 0.25)
1206	3216	0.126 ± 0.008 (3.20 ± 0.20)	0.063 ± 0.008 (1.60 ± 0.20)	0.043 ± 0.008 (1.10 ± 0.20)	0.020 ± 0.010 (0.51 ± 0.25)
1806	4516	0.177 ± 0.010 (4.50 ± 0.25)	0.063 ± 0.008 (1.60 ± 0.20)	0.055 ± 0.010 (1.40 ± 0.25)	0.020 ± 0.010 (0.51 ± 0.25)
1812	4532	0.177 ± 0.010 (4.50 ± 0.25)	0.126 ± 0.010 (3.20 ± 0.25)	0.055 ± 0.010 (1.40 ± 0.25)	0.020 ± 0.010 (0.51 ± 0.25)

Dimensions in inches (mm)

Electrical Characteristics

Standard FCB-0402 Sizes

Part Number	Impedance Ω at 100 MHz	Max. DCR Ω	Max. Current mA
FCB-0402-B100P*	10	0.05	500
FCB-0402-B700P*	70	0.40	200
FCB-0402-B121P*	120	0.50	100
FCB-0402-B221P*	220	0.70	100
FCB-0402-B601P*	600	1.10	50
FCB-0402-B102P*	1,000	1.50	50

Notes: * Please add packaging code at the end of part.
To change Tolerance Code, replace P with other tolerance values.

Standard FCB-0603 Sizes

Part Number	Impedance Ω at 100 MHz	Max. DCR Ω	Max. Current mA
FCB-0603-B300P*	30	0.10	400
FCB-0603-B400P*	40	0.10	400
FCB-0603-B600P*	60	0.20	300
FCB-0603-B800P*	80	0.20	300
FCB-0603-B900P*	90	0.20	300
FCB-0603-B101P*	100	0.30	250
FCB-0603-B121P*	120	0.30	250
FCB-0603-B151P*	150	0.30	250
FCB-0603-B181P*	180	0.30	250
FCB-0603-B221P*	220	0.30	250
FCB-0603-B301P*	300	0.35	230
FCB-0603-B601P*	600	0.45	210
FCB-0603-B102P*	1,000	0.60	190

Notes: * Please add packaging code at the end of part.
To change Tolerance Code, replace P with other tolerance values.

FCB-0603 High Speed Beads

Part Number	Impedance Ω at 100 MHz	Max. DCR Ω	Max. Current mA
FCB-0603-H180P*	18	0.10	400
FCB-0603-H421P*	420	0.50	200
FCB-0603-H601P*	600	0.65	200
FCB-0603-H102P*	1,000	0.60	50

Notes: * Please add packaging code at the end of part.
To change Tolerance Code, replace P with other tolerance values.

Surface Mount Filters & Inductors



Surface Mount EMI Filters Ferrite Chip Beads

RoHS
COMPLIANT

Electrical Characteristics *continued*

Standard FCB-0805 Sizes

Part Number	Impedance Ω at 100 MHz	Max. DCR Ω	Max. Current mA
FCB-0805-A070P*	7		
FCB-0805-A110P*	11		
FCB-0805-A300P*	30	0.10	800
FCB-0805-A400P*	40		
FCB-0805-A500P*	50		
FCB-0805-A600P*	60		
FCB-0805-A800P*	80		
FCB-0805-B101P*	100	0.15	400
FCB-0805-B121P*	120		
FCB-0805-B151P*	150		
FCB-0805-B301P*	300	0.30	200
FCB-0805-B401P*	400		
FCB-0805-B601P*	600		
FCB-0805-B102P*	1,000	0.40	200
FCB-0805-B152P*	1,500	0.55	200
FCB-0805-B202P*	2,000	0.30	100

FCB-0805 High Speed Beads

Part Number	Impedance Ω at 100 MHz	Max. DCR Ω	Max. Current mA
FCB-0805-H201P*	200	0.40	200
FCB-0805-H601P*	600	0.40	
FCB-0805-H102P*	1,000	0.75	100

Notes: * Please add packaging code at the end of part.
To change Tolerance Code, replace P with other tolerance values.
Consult factory for other impedance values of the 0805 footprint that are available from Spectrum Control.

Standard FCB-1206 Sizes

Part Number	Impedance Ω at 100 MHz	Max. DCR Ω	Max. Current mA
FCB-1206-A190P*	19		
FCB-1206-A260P*	26		
FCB-1206-A300P*	30	0.10	600
FCB-1206-A310P*	31		
FCB-1206-A500P*	50		
FCB-1206-A600P*	60		
FCB-1206-A700P*	70		
FCB-1206-A800P*	80		
FCB-1206-A900P*	90	0.20	400
FCB-1206-A101P*	100		
FCB-1206-A121P*	120		
FCB-1206-A201P*	200	0.30	300
FCB-1206-A301P*	300	0.40	
FCB-1206-A601P*	600	0.50	200
FCB-1206-B102P*	1,000	0.70	150
FCB-1206-B152P*	1,500 @ 50 MHz	0.90	100
FCB-1206-B202P*	2,000 @ 30 MHz	0.60	

FCB-1206 High Speed Beads

Part Number	Impedance Ω at 100 MHz	Max. DCR Ω	Max. Current mA
FCB-1206-H300P*	30	0.10	600
FCB-1206-H181P*	180	0.30	300
FCB-1206-H601P*	600	0.30	200

Notes: * Please add packaging code at the end of part.
To change Tolerance Code, replace P with other tolerance values.
Consult factory for other impedance values of the 1206 footprint that are available from Spectrum Control.

Standard FCB-1806 and FCB-1812 Sizes

Part Number	Impedance Ω at 100 MHz	Max. DCR Ω	Max. Current mA
FCB-1806-A800P*	80	0.30	300
FCB-1806-A101P*	100	0.30	200
FCB-1812-B121P*	120	0.30	300

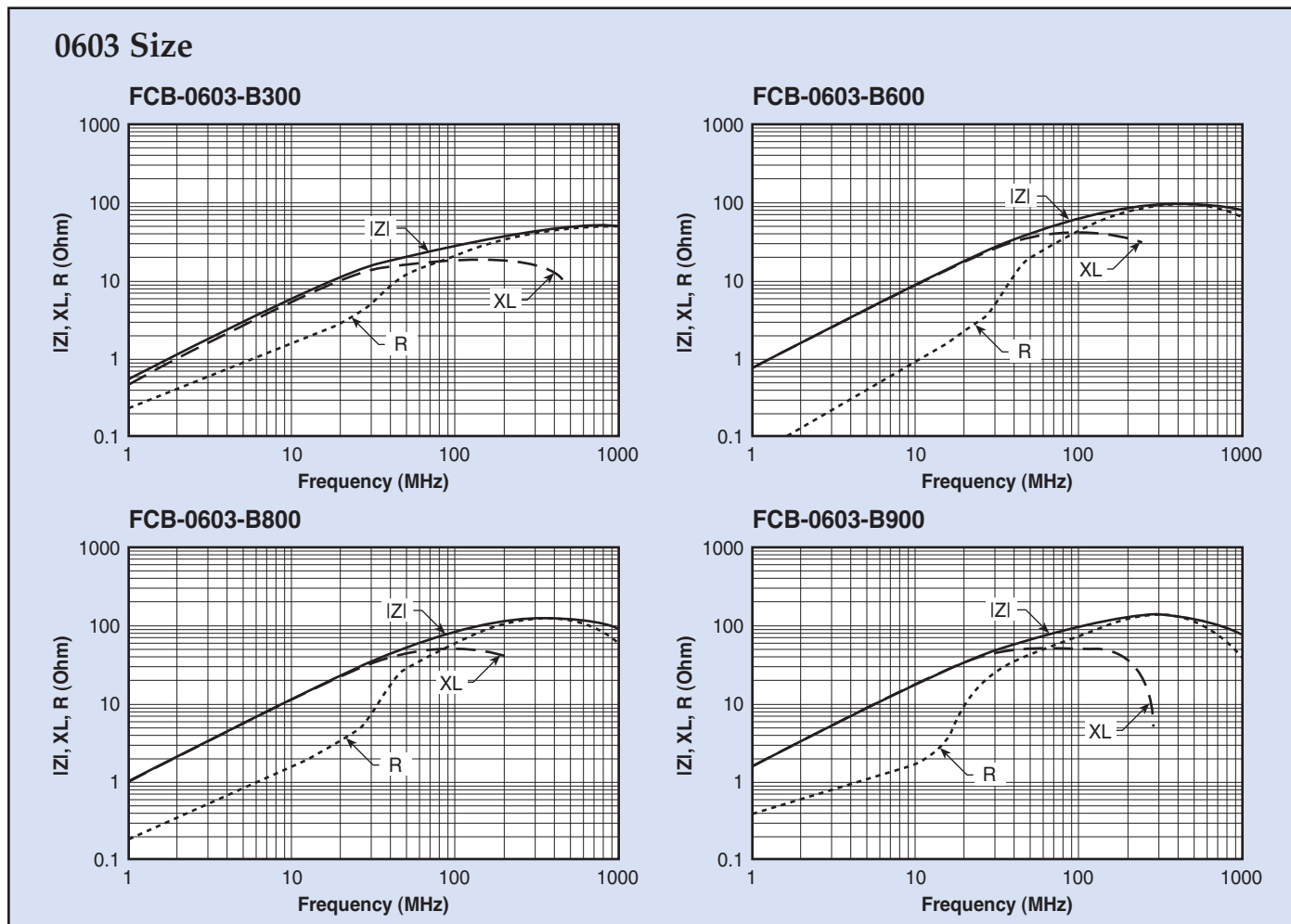
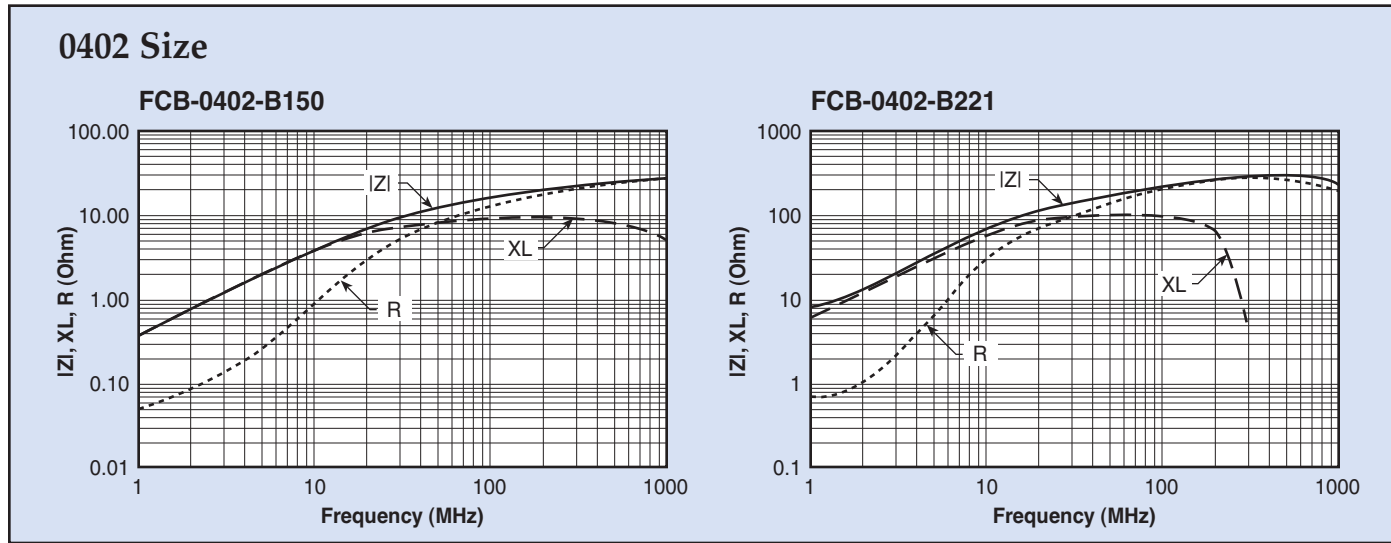
Notes: * Please add packaging code at the end of part.
To change Tolerance Code, replace P with other tolerance values.
Consult factory for other impedance values of the 1806 and 1812 footprint that are available from Spectrum Control.

Surface Mount Filters & Inductors



Surface Mount EMI Filters Ferrite Chip Beads

Typical Impedance Characteristics (Curves not listed are available upon request or at our website.)

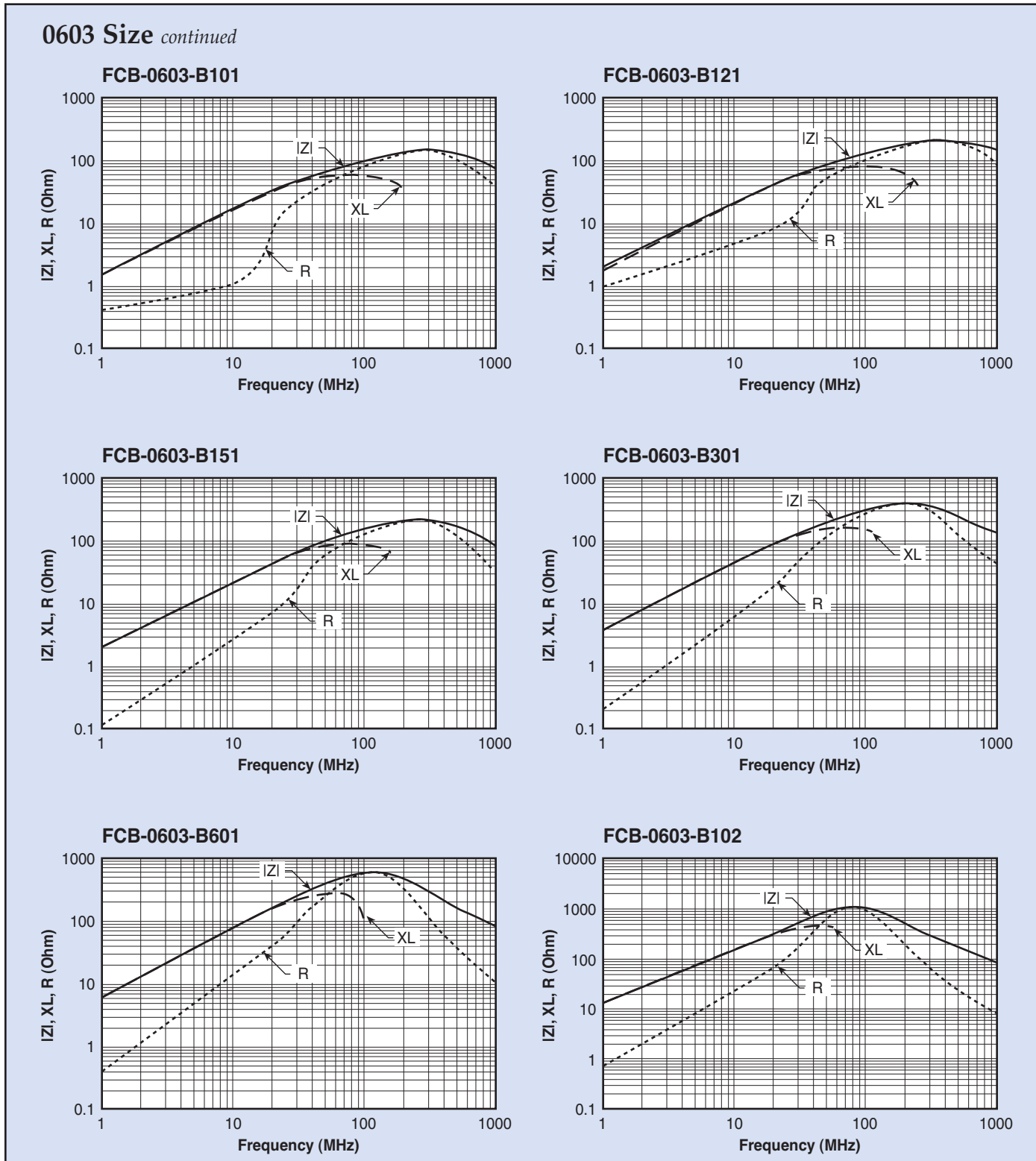




Surface Mount EMI Filters Ferrite Chip Beads

Surface Mount Filters & Inductors

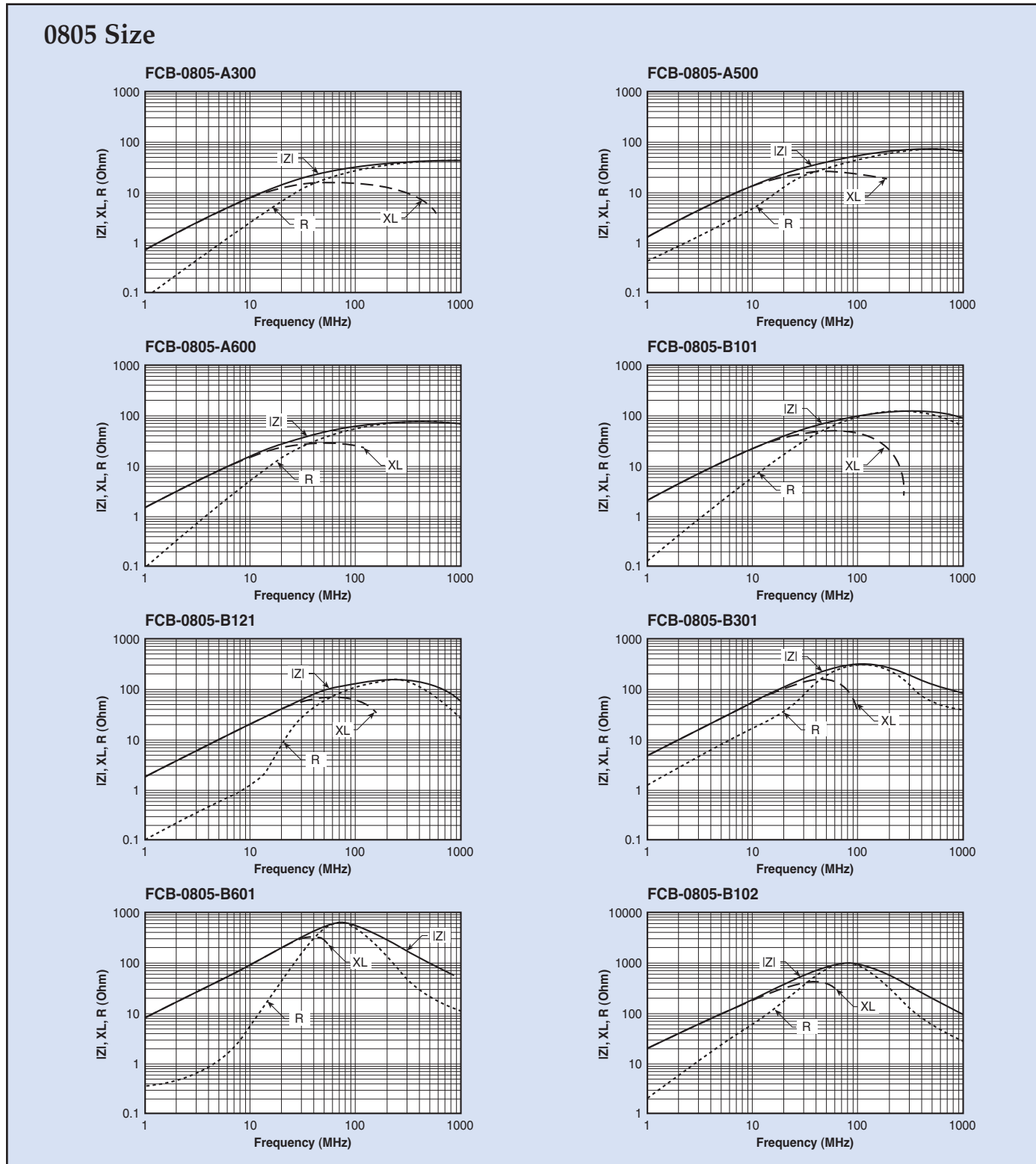
Typical Impedance Characteristics (Curves not listed are available upon request or at our website.)





Surface Mount EMI Filters Ferrite Chip Beads

Typical Impedance Characteristics (Curves not listed are available upon request or at our website.)



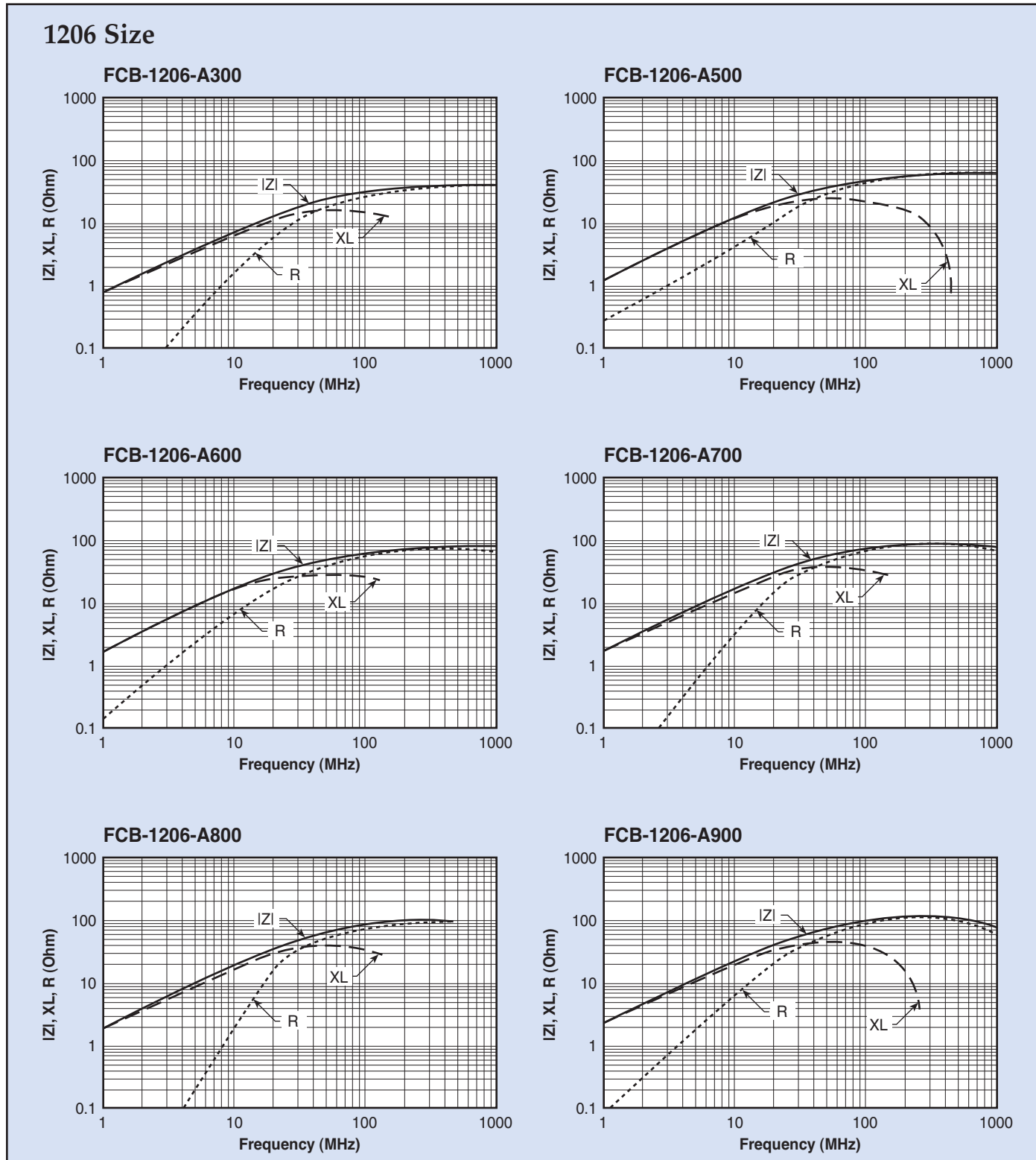
Surface Mount Filters & Inductors



Surface Mount EMI Filters Ferrite Chip Beads

Surface Mount Filters & Inductors

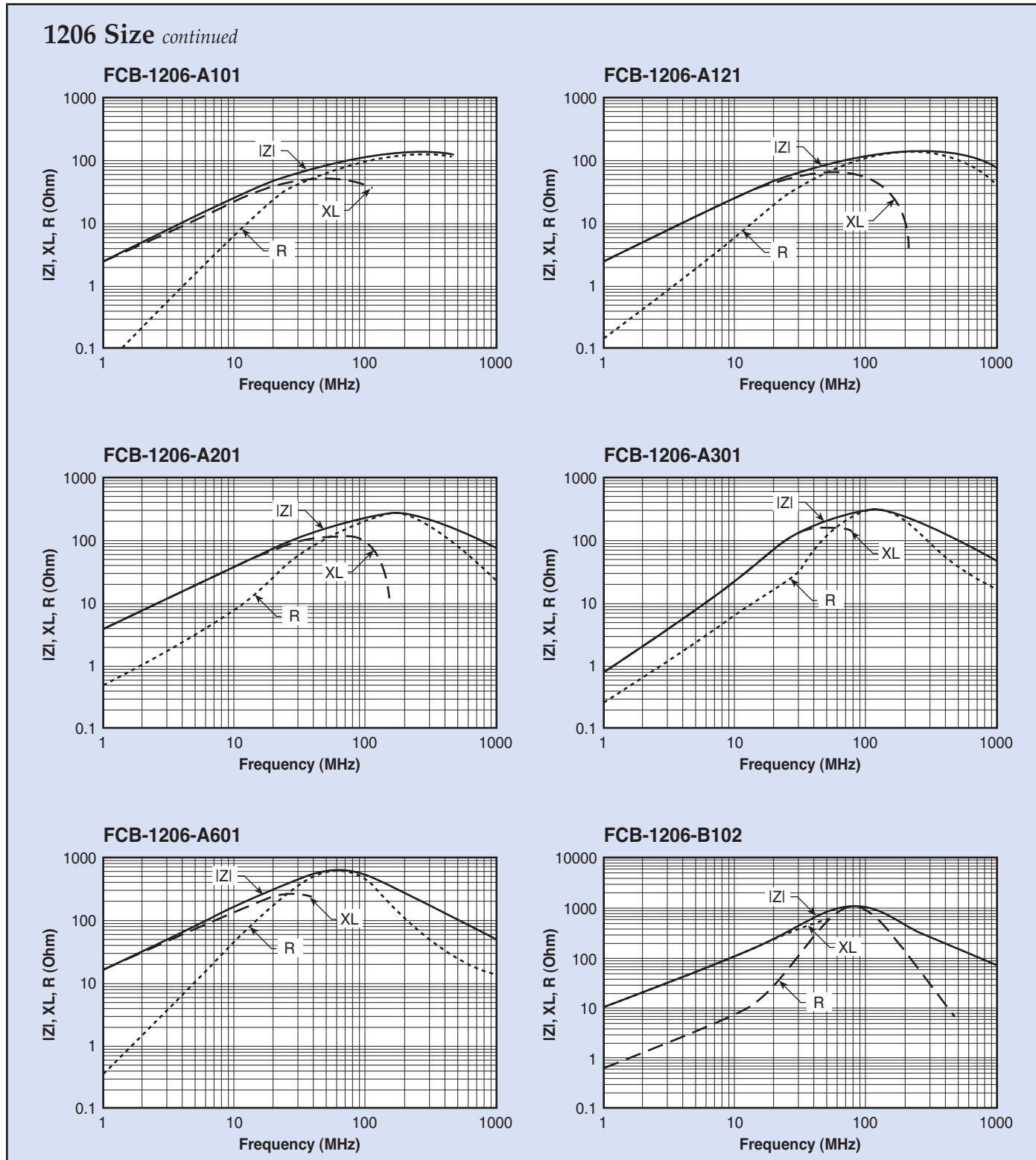
Typical Impedance Characteristics (Curves not listed are available upon request or at our website.)





Surface Mount EMI Filters Ferrite Chip Beads

Typical Impedance Characteristics (Curves not listed are available upon request or at our website.)





Surface Mount High Current EMI Filters Ferrite Power Beads



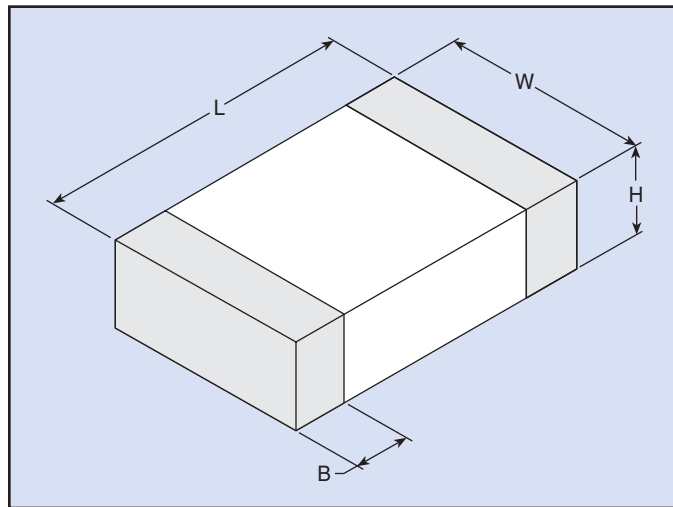
Surface Mount Filters & Inductors

Features

- Rated up to 6 Amps
- Broad range of impedance values available (Standard line has values of 7 Ω to 600 Ω)
- Available in standard EIA/EIAJ chip sizes (0603/1608, 0805/2012, 1206/3216, etc.)
- Excellent solderability is achieved from a nickel barrier with a solder overplate
- Provides EMI attenuation without grounding
- Closed magnetic circuit
- Parts are suitable for flow or re-flow soldering
- Available in tape and reel for easy placement
- Operational temperature range of -55°C to +125°C

Applications

- Telecommunications equipment (cellular phones, cordless phones, faxes and ISDN's)
- Digital audio/visual equipment (TV, HDTV, VTR, DVD, CATV tuners and etc.)
- GPS and car navigation equipment
- High speed clocks
- Consumer electronics
- Signal lines
- LAN and WAN hardware



Part Numbering System

Example: **FPB-0805-A301P7**

FPB	-	0805	-	A	301	P	7
Series		Part Size		Material Characteristic	Impedance Value	Tolerance Code	Packaging
Ferrite Power Beads		EIA Size (Length x Width)		Determined by the desired electrical characteristic	30(1) (1) = the # of zeros that will follow the first two digits Example: 30(1) = 30 followed by 1 zero = 300 Ohms	Standard Value is P P = ±25% M = ±20%	7 = 7 inch reel 3 = 13 inch reel

Land Patterns and Soldering Temperature Profiles

- See page 45.

Packaging Specifications and Storage Requirements

- See page 46.



Surface Mount High Current EMI Filters Ferrite Power Beads

RoHS
COMPLIANT

Physical Characteristics

Size		Physical Dimensions			
EIA	EIAJ	Length (L)	Width (W)	Height (H)	Termination Band (B)
0603	1608	0.063 ± 0.006 (1.60 ± 0.15)	0.031 ± 0.006 (0.80 ± 0.15)	0.031 ± 0.006 (0.80 ± 0.15)	0.014 ± 0.006 (0.36 ± 0.15)
0805	2012	0.079 ± 0.008 (2.00 ± 0.20)	0.049 ± 0.008 (1.25 ± 0.20)	0.035 ± 0.008 (0.90 ± 0.20)	0.020 ± 0.010 (0.51 ± 0.25)
1206	3216	0.126 ± 0.008 (3.20 ± 0.20)	0.063 ± 0.008 (1.60 ± 0.20)	0.043 ± 0.008 (1.10 ± 0.20)	0.020 ± 0.010 (0.51 ± 0.25)
1806	4516	0.177 ± 0.010 (4.50 ± 0.25)	0.063 ± 0.008 (1.60 ± 0.20)	0.055 ± 0.010 (1.40 ± 0.25)	0.020 ± 0.010 (0.51 ± 0.25)
1812	4532	0.177 ± 0.010 (4.50 ± 0.25)	0.126 ± 0.010 (3.20 ± 0.25)	0.055 ± 0.010 (1.40 ± 0.25)	0.020 ± 0.010 (0.51 ± 0.25)

Dimensions in inches (mm)

Electrical Characteristics

Standard FPB-0603 and FPB-0805 Sizes

Part Number	Impedance Ω at 100 MHz	Max. DCR Ω	Max. Current mA
FPB-0603-A300P*	30	0.06	1,000
FPB-0603-A600P*	60	0.10	500
FPB-0805-A070P*	7	0.02	3,000
FPB-0805-A100P*	10		
FPB-0805-A300P*	30	0.025	3,000
FPB-0805-A600P*	40		
FPB-0805-A450P*	45	0.03	2,000
FPB-0805-A800P*	80	0.10	1,000
FPB-0805-A301P*	300	0.15	1,000
FPB-0805-A601P*	600	0.20	1,000

Notes: * Please add packaging code at the end of part.
To change Tolerance Code, replace P with other tolerance values.
Consult factory for other impedance values of the 0603 and 0805 footprint that are available from Spectrum Control.

Standard FPB-1206 Sizes

Part Number	Impedance Ω at 100 MHz	Max. DCR Ω	Max. Current mA
FPB-1206-A190P*	19		
FPB-1206-A260P*	26	0.02	3,000
FPB-1206-A300P*	30		
FPB-1206-A310P*	31		
FPB-1206-A500P*	50	0.025	3,000
FPB-1206-A700P*	70	0.03	2,000
FPB-1206-A800P*	80		
FPB-1206-A900P*	90	0.10	1,000
FPB-1206-A121P*	120		
FPB-1206-A601P*	600	0.20	1,000
FPB-1206-E101P*	100	0.03	3,000
FPB-1206-E121P*	120	0.04	3,000
FPB-1206-E601P*	600	0.10	1,500

Notes: * Please add packaging code at the end of part.
To change Tolerance Code, replace P with other tolerance values.
Consult factory for other impedance values of the 1206 footprint that are available from Spectrum Control.

Standard FPB-1806 and FPB-1812 Sizes

Part Number	Impedance Ω at 100 MHz	Max. DCR Ω	Max. Current mA
FPB-1806-B600P*	60	0.01	6,000
FPB-1806-B750P*	75	0.03	4,000
FPB-1806-B800P*	80	0.03	4,000
FPB-1812-A700P*	70	0.03	6,000
FPB-1812-B121P*	120	0.05	3,000

Notes: * Please add packaging code at the end of part.
To change Tolerance Code, replace P with other tolerance values.
Consult factory for other impedance values of the 1806 and 1812 footprint that are available from Spectrum Control.

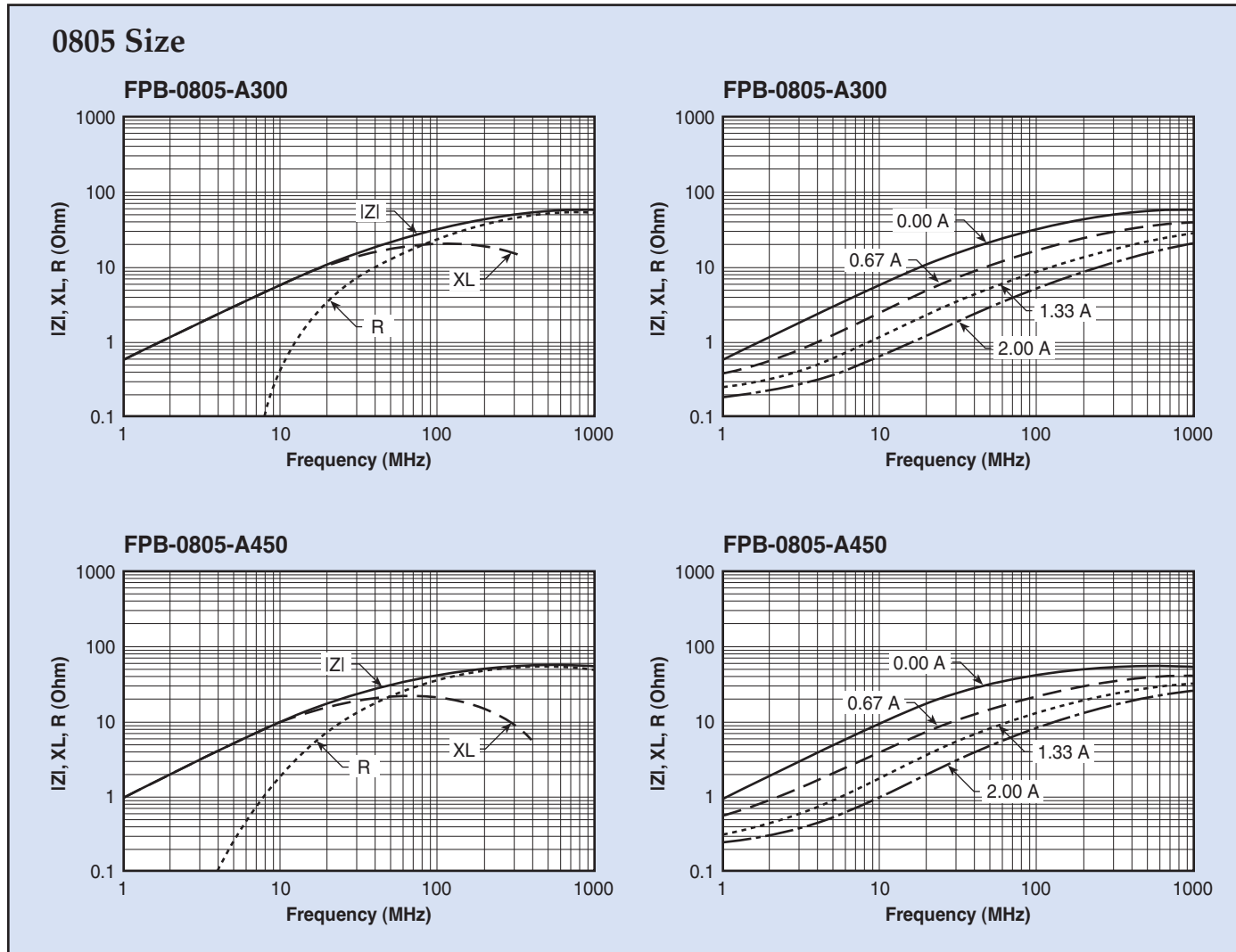
Surface Mount Filters & Inductors



Surface Mount High Current EMI Filters Ferrite Power Beads

Surface Mount Filters & Inductors

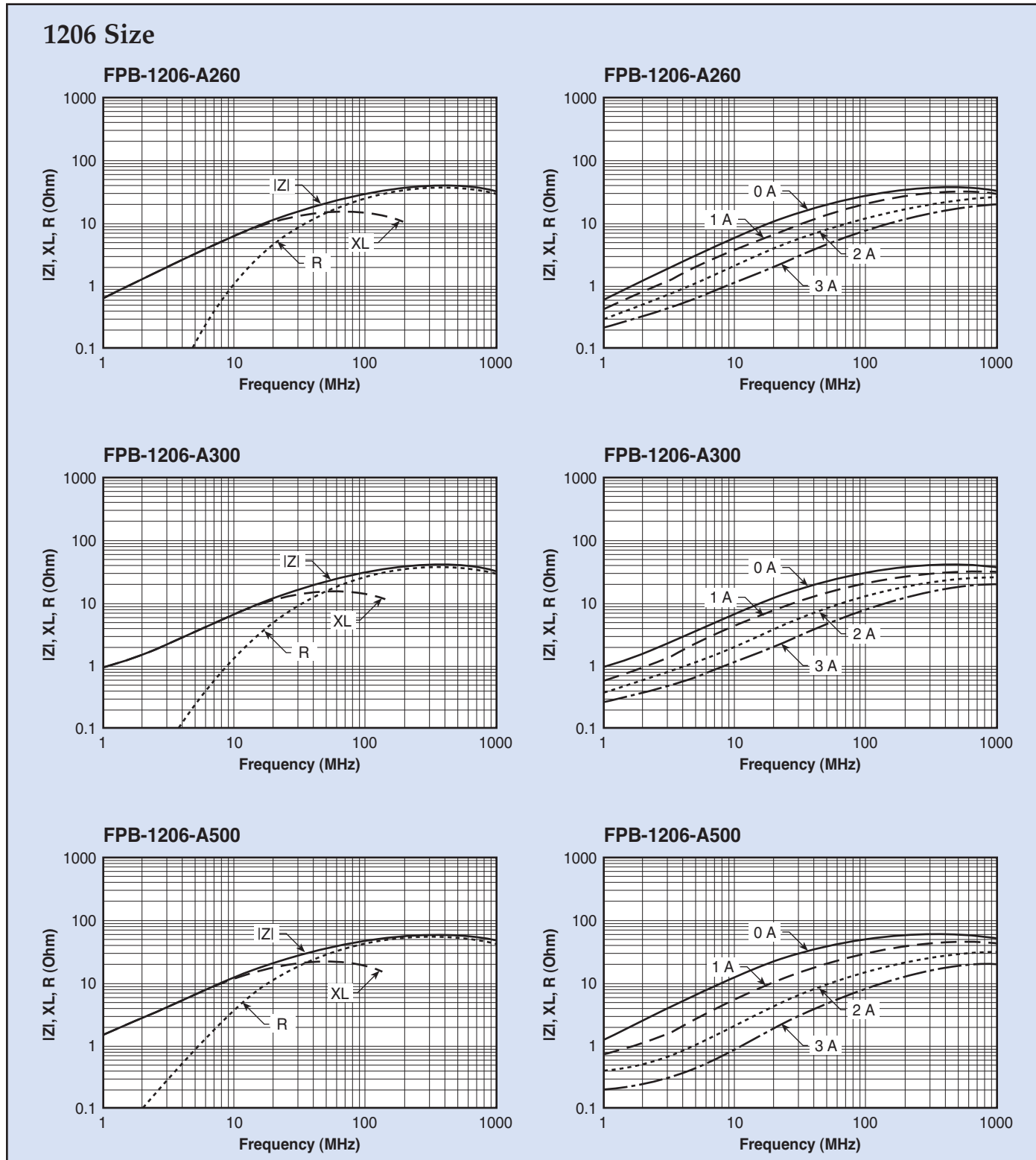
Typical Impedance Characteristics (Curves not listed are available upon request or at our website.)





Surface Mount High Current EMI Filters Ferrite Power Beads

Typical Impedance Characteristics (Curves not listed are available upon request or at our website.)



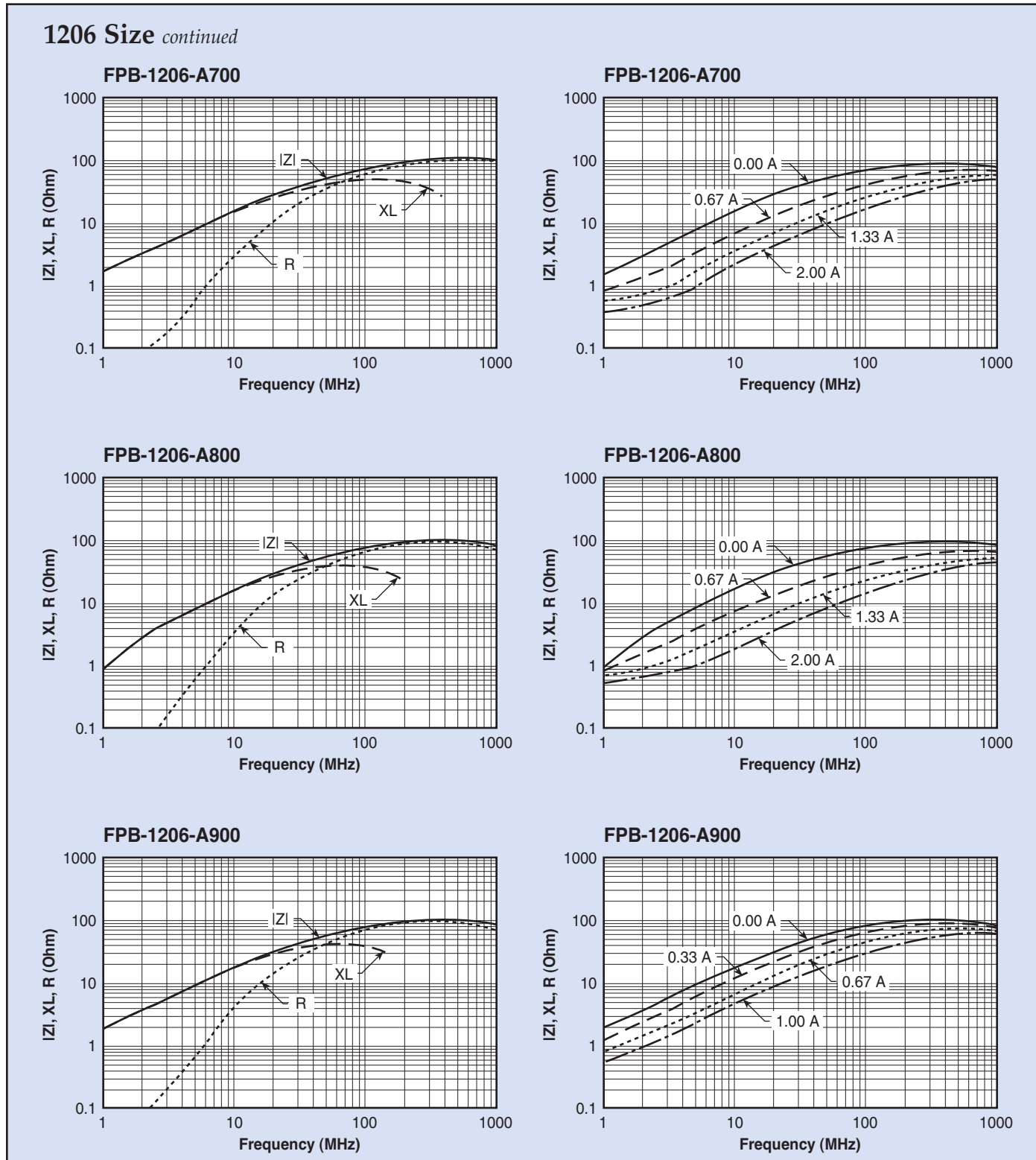
Surface Mount Filters & Inductors



Surface Mount High Current EMI Filters Ferrite Power Beads

Surface Mount Filters & Inductors

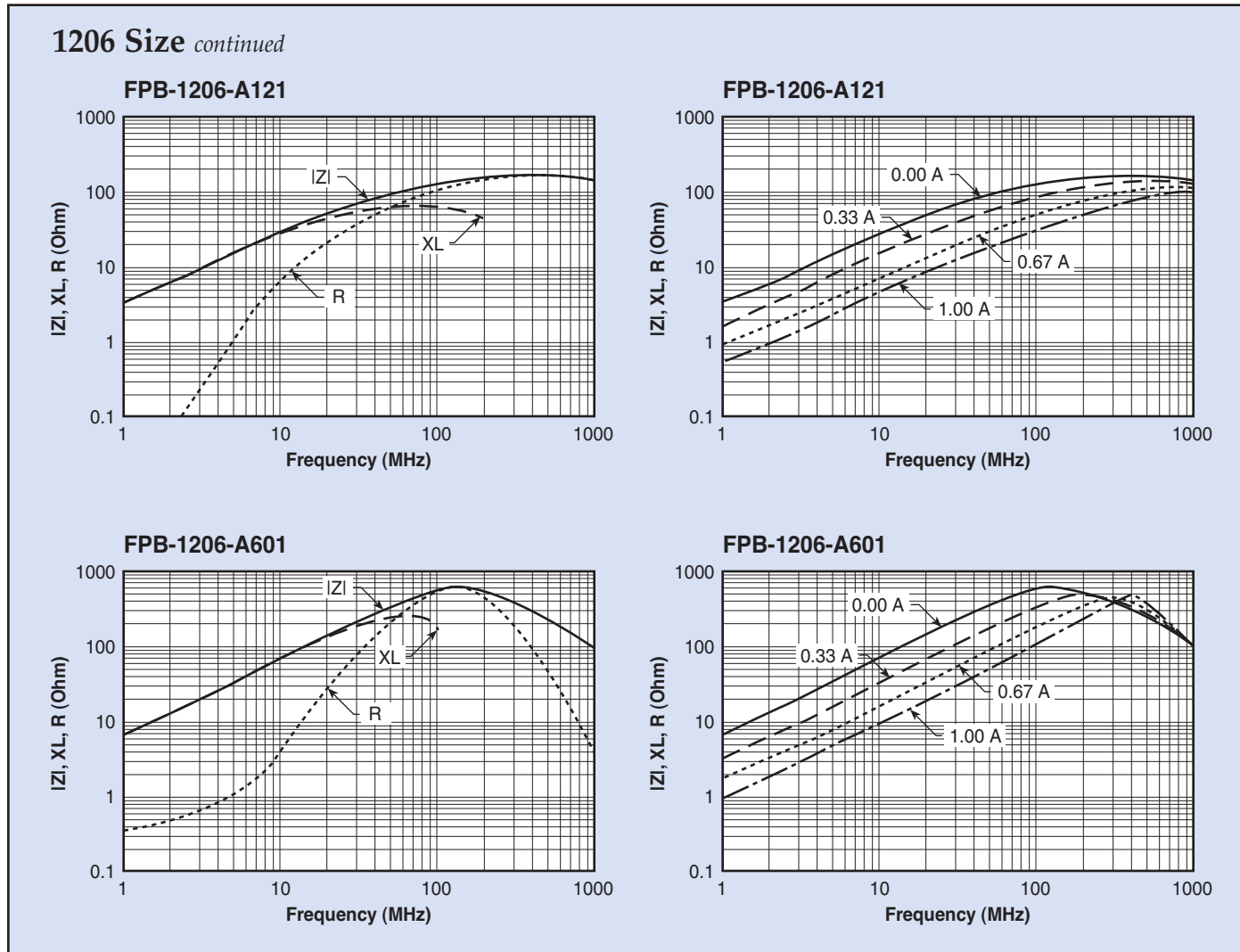
Typical Impedance Characteristics (Curves not listed are available upon request or at our website.)





Surface Mount High Current EMI Filters Ferrite Power Beads

Typical Impedance Characteristics (Curves not listed are available upon request or at our website.)



Surface Mount Filters & Inductors



Surface Mount Ferrite Inductors

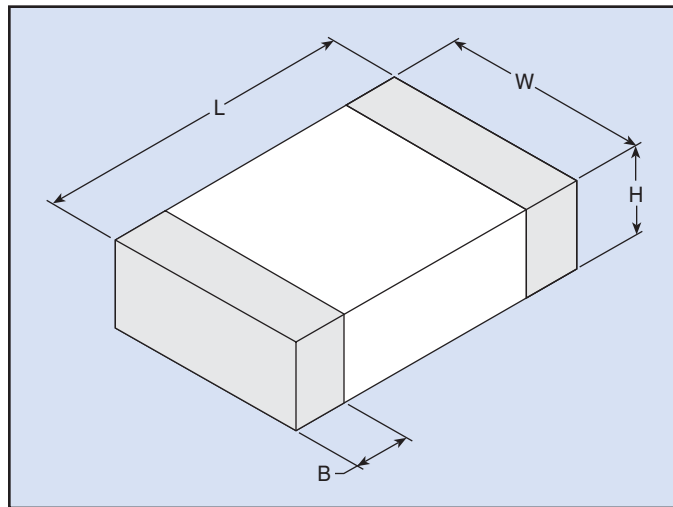
Features

- Multilayer design
- Available in standard EIA/EIAJ chip sizes (0603/1608, 0805/2012, 1206/3216, etc.)
- Excellent solderability is achieved from a nickel barrier with a solder overplate
- Small footprint compared to wire wound inductors
- Prevents crosstalk with closed magnetic circuit
- Broad range of inductance values available from 47 nH to 4,700 nH
- High Q characteristics
- Parts are suitable for flow or re-flow soldering
- Available in tape and reel for easy placement
- Provides high reliability in a temperature range of -25°C to +85°C over a wide range of humidity
- Prevents electromagnetic interference to signals in high density circuits

Applications

- Telecommunications equipment (cellular phones, cordless phones, faxes and ISDN's)
- Personal computers including disc drives, CD-ROM, etc.
- Digital audio/visual equipment (TV, HDTV, VTR, DVD, CATV tuners, etc.)
- Measuring equipment
- Most consumer electronics

Surface Mount Filters & Inductors



Part Numbering System

Example: **FIN-0805-C470M3**

FIN	-	0805	-	C	470	M	3
Series Ferrite Inductor		Part Size EIA Size (Length x Width)		Material Characteristic Determined by the desired electrical characteristic	Inductance L (nH) 47(0) (0) = the # of zeros that will follow the first two digits Example: 47(0) = 47 followed by 0 zeros = 47 nH	Tolerance Code M = ±20% K = ±10% J = ±5%	Packaging 7 = 7 inch reel 3 = 13 inch reel

Land Patterns and Soldering Temperature Profiles

- See page 45.

Packaging Specifications and Storage Requirements

- See page 46.



Surface Mount Ferrite Inductors

Physical Characteristics

Size		Physical Dimensions			
EIA	EIAJ	Length (L)	Width (W)	Height (H)	Termination Band (B)
0603	1608	0.063 ± 0.006 (1.60 ± 0.15)	0.031 ± 0.006 (0.80 ± 0.15)	0.031 ± 0.006 (0.80 ± 0.15)	0.014 ± 0.006 (0.36 ± 0.15)
0805	2012	0.079 ± 0.008 (2.00 ± 0.20)	0.049 ± 0.008 (1.25 ± 0.20)	<2.7 uH 0.035 ± 0.008 (0.90 ± 0.20) ≥2.7 uH 0.049 ± 0.008 (1.25 ± 0.20)	0.020 ± 0.010 (0.51 ± 0.25)
1206	3216	0.126 ± 0.008 (3.20 ± 0.20)	0.063 ± 0.008 (1.60 ± 0.20)	0.043 ± 0.008 (1.10 ± 0.20)	0.020 ± 0.010 (0.51 ± 0.25)

Dimensions in inches (mm)

Electrical Characteristics

Standard FIN-0603 Sizes

Part Number	Inductance L (nH)	Min. Q	L, Q Test Frequency (MHz)	Min. SRF (MHz)	Max. DCR (Ohm)	Max. Current (mA)
FIN-0603-C470*	47	10	50	260	0.3	50
FIN-0603-C680*	68			250		
FIN-0603-C820*	82			245		
FIN-0603-C101*	100	15	25	240	0.5	50
FIN-0603-C121*	120			205	0.5	
FIN-0603-C151*	150			180	0.6	
FIN-0603-C181*	180			165	0.6	
FIN-0603-C221*	220			150	0.8	
FIN-0603-C271*	270			136	0.8	
FIN-0603-C331*	330			125	0.85	
FIN-0603-C391*	390			110	1.0	
FIN-0603-C471*	470	15	25	105	1.35	35
FIN-0603-C561*	560			95	1.55	
FIN-0603-C681*	680			90	1.7	
FIN-0603-C821*	820			85	2.1	
FIN-0603-G102*	1,000			35	10	
FIN-0603-G122*	1,200	65	0.8			
FIN-0603-G152*	1,500	60	0.8			
FIN-0603-G182*	1,800	55	0.95			
FIN-0603-G222*	2,200	35	10	50	1.15	15
FIN-0603-G272*	2,700			45	1.35	
FIN-0603-G332*	3,300			40	1.55	
FIN-0603-G392*	3,900			35	1.7	
FIN-0603-G472*	4,700			33	2.1	

Note: * Please add tolerance and packaging code at the end of part.



Surface Mount Ferrite Inductors

Electrical Characteristics *continued*

Standard FIN-0805 Sizes

Part Number	Inductance L (nH)	Min. Q	L, Q Test Frequency (MHz)	Min. SRF (MHz)	Max. DCR (Ohm)	Max. Current (mA)
FIN-0805-C470*	47	15	50	320	0.2	300
FIN-0805-C680*	68			280		
FIN-0805-C820*	82			255		
FIN-0805-C101*	100	20	25	235	0.3	250
FIN-0805-C121*	120			220	0.3	
FIN-0805-C151*	150			200	0.4	
FIN-0805-C181*	180			185	0.4	
FIN-0805-C221*	220			170	0.5	
FIN-0805-C271*	270			150	0.5	
FIN-0805-C331*	330			145	0.55	
FIN-0805-C391*	390	25	25	135	0.65	200
FIN-0805-C471*	470			125	0.65	
FIN-0805-C561*	560	25	25	115	0.75	150
FIN-0805-C681*	680			105	0.8	
FIN-0805-C821*	820			100	1.0	
FIN-0805-G102*	1,000	45	10	75	0.4	50
FIN-0805-G122*	1,200			65	0.5	
FIN-0805-G152*	1,500			60	0.5	
FIN-0805-G182*	1,800			55	0.6	
FIN-0805-G222*	2,200	45	10	50	0.65	30
FIN-0805-G272*	2,700			45	0.75	
FIN-0805-G332*	3,300			41	0.8	
FIN-0805-G392*	3,900			38	0.9	
FIN-0805-G472*	4,700			35	1.0	
FIN-0805-G103*	10,000	50	2	24	1.15	15

Note: * Please add tolerance and packaging code at the end of part.

Standard FIN-1206 Sizes

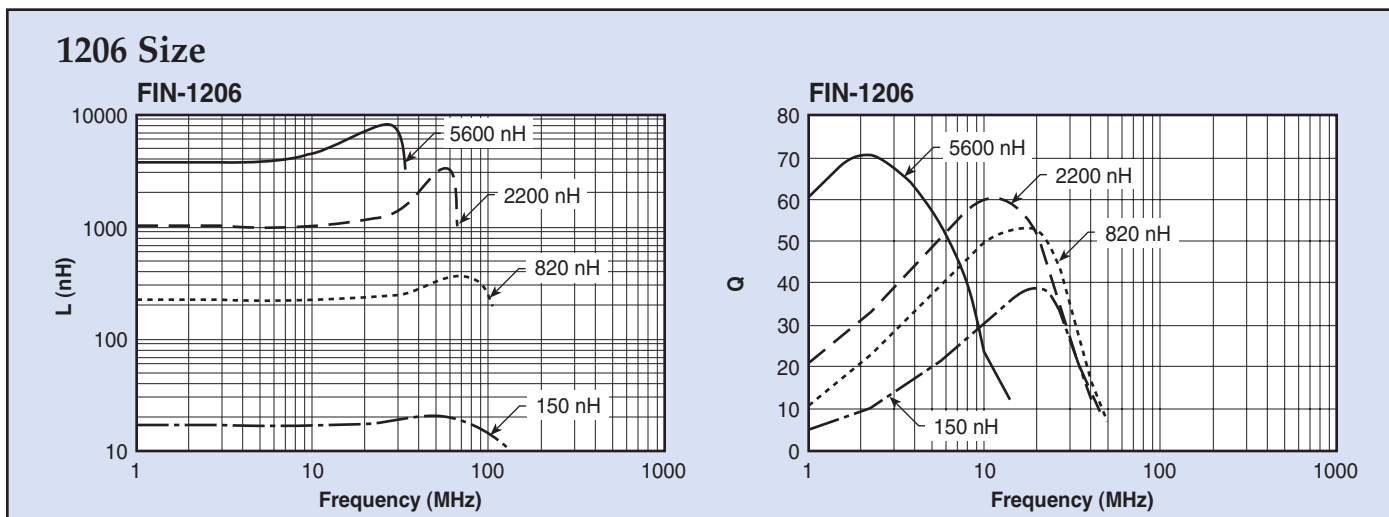
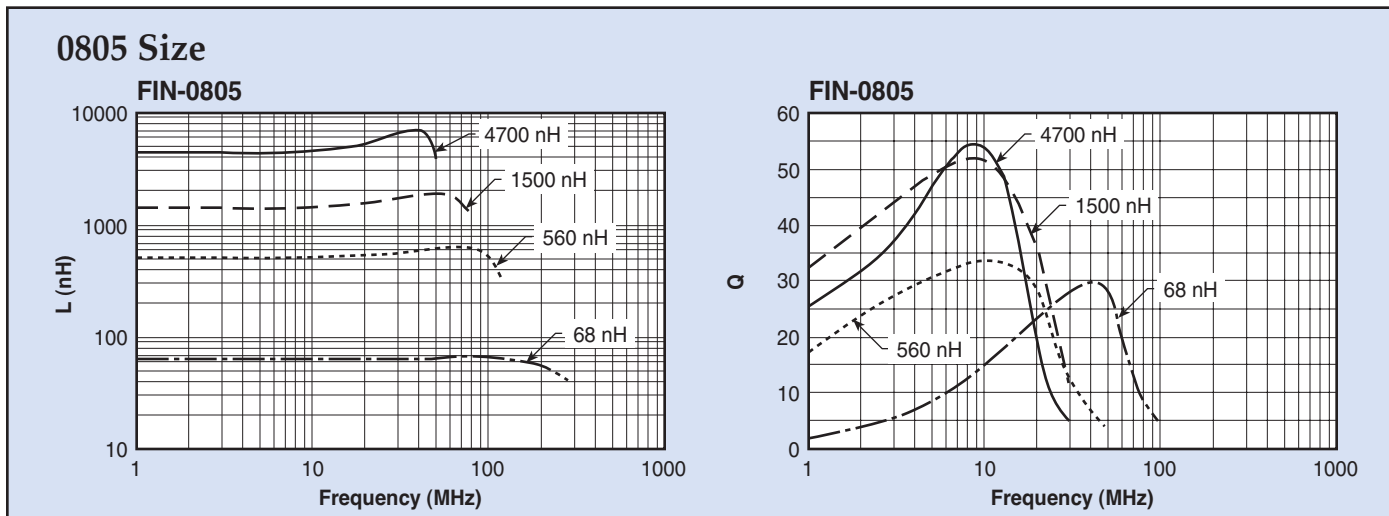
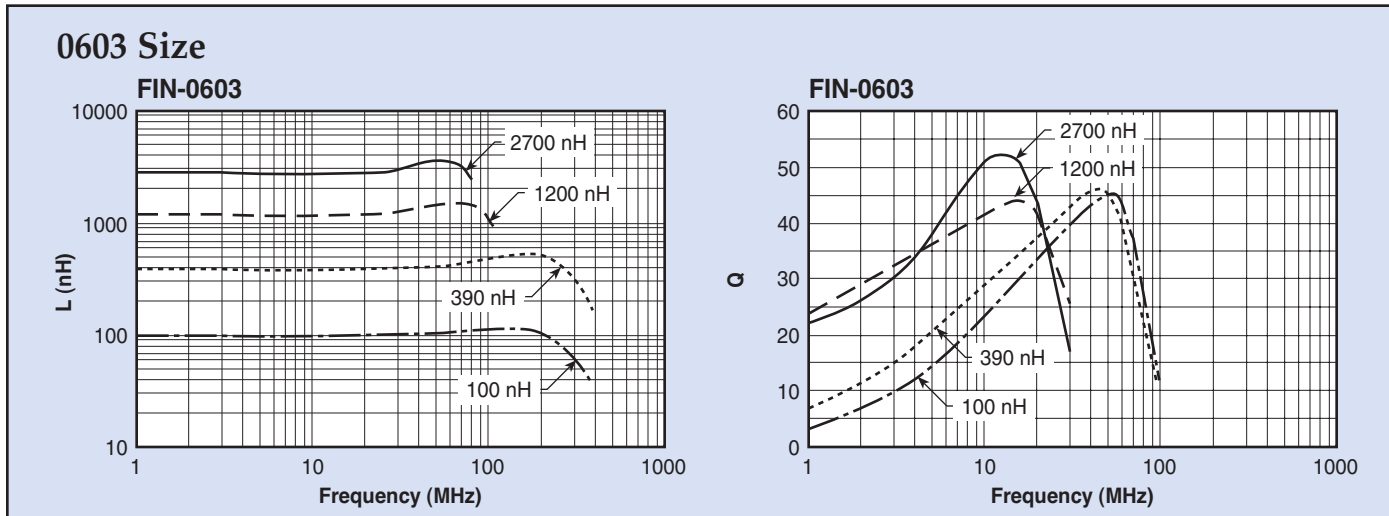
Part Number	Inductance L (nH)	Min. Q	L, Q Test Frequency (MHz)	Min. SRF (MHz)	Max. DCR (Ohm)	Max. Current (mA)
FIN-1206-C470*	47	20	50	320	0.15	300
FIN-1206-C680*	68			280	0.25	
FIN-1206-C101*	100	20	25	235	0.25	250
FIN-1206-C121*	120			220	0.3	
FIN-1206-C151*	150			200	0.3	
FIN-1206-C181*	180			185	0.4	
FIN-1206-C221*	220			170	0.4	
FIN-1206-C271*	270			150	0.5	
FIN-1206-C331*	330			145	0.6	
FIN-1206-C391*	390	25	25	135	0.5	200
FIN-1206-C471*	470			125	0.6	
FIN-1206-C561*	560	25	25	115	0.7	150
FIN-1206-C681*	680			105	0.8	
FIN-1206-C821*	820			100	0.9	
FIN-1206-G102*	1,000	45	10	75	0.4	100
FIN-1206-G122*	1,200			65	0.5	
FIN-1206-G152*	1,500	45	10	60	0.5	50
FIN-1206-G182*	1,800			55	0.5	
FIN-1206-G222*	2,200			50	0.6	
FIN-1206-G272*	2,700			45	0.6	
FIN-1206-G332*	3,300			41	0.7	
FIN-1206-G392*	3,900			38	0.8	
FIN-1206-G472*	4,700	35	0.85	45		
FIN-1206-G562*	5,600	45	4	32	0.9	25
FIN-1206-G682*	6,800			29	0.9	
FIN-1206-G103*	10,000			2	24	

Note: * Please add tolerance and packaging code at the end of part.



Surface Mount Ferrite Inductors

Typical Inductance Characteristics (Curves not listed are available upon request or at our website.)





Surface Mount High Frequency Ceramic Chip Inductors

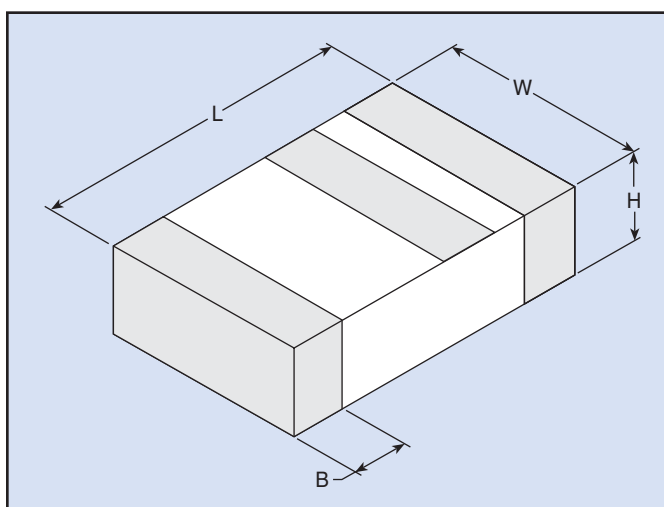
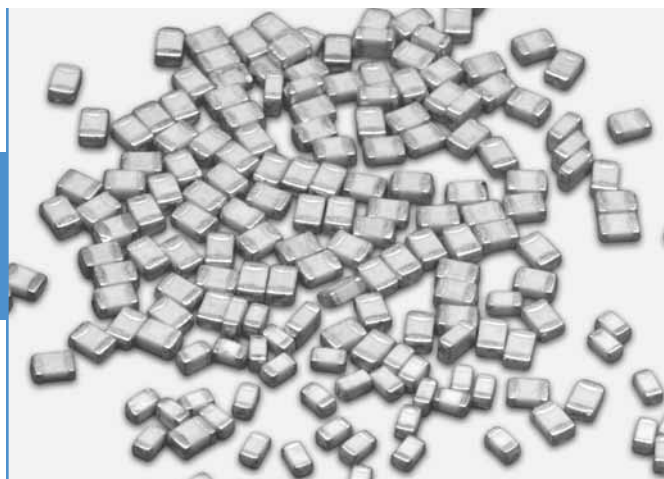
Features

- High Q characteristics at high frequency and self-resonant frequency
- Available in standard EIA/EIAJ chip sizes (0402/1005, 0603/1608, 0805/2012, etc.)
- Excellent solderability is achieved from a nickel barrier with a solder overplate
- Parts are suitable for flow or re-flow soldering
- Available in tape and reel for easy placement
- Provides high reliability in a temperature range of -40°C to +125°C over a wide range of humidity
- Parts can be used at frequency up to 6 GHz with Q values of 10 to 23 at 100 MHz, up to 63 at 800 MHz
- Standard inductance range of 1.0 to 100 nH

Applications

- Designed to address surface mountable inductor needs at high frequency
- Telecommunications equipment (cellular phones, pagers, etc.)
- Computer communication equipment
- Radar detectors
- Any high frequency circuits

Surface Mount Filters & Inductors



Note: The ceramic chip inductors have a blue strip on one side of the part to allow for proper placement. The blue strip needs to be on the top side, away from the board to get proper electrical characteristics.

Part Numbering System

Example: **CIN-0402-H8D2JB**

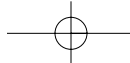
CIN	-	0402	-	H	8D2	J	B
Series Ceramic Inductor		Part Size EIA Size (Length x Width)		Material Characteristic Determined by the desired electrical characteristic	Inductance Code Value is measured in nH D stands for decimal point 8D2 = 8.2 nH	Tolerance Code S = ±0.3 nH T = ±3% J = ±5% K = ±10% M = ±20% Note: Please check tables for available tolerances on individual parts.	Packaging 7 = 7 inch reel 3 = 13 inch reel

Land Patterns and Soldering Temperature Profiles

- See page 45.

Packaging Specifications and Storage Requirements

- See page 46.



Surface Mount High Frequency Ceramic Chip Inductors

Physical Characteristics

Size		Physical Dimensions			
EIA	EIAJ	Length (L)	Width (W)	Height (H)	Termination Band (B)
0402	1005	0.039 ± 0.004 (1.00 ± 0.10)	0.02 ± 0.004 (0.50 ± 0.10)	0.02 ± 0.004 (0.50 ± 0.10)	0.01 ± 0.004 (0.25 ± 0.10)
0603	1608	0.063 ± 0.006 (1.60 ± 0.15)	0.031 ± 0.006 (0.80 ± 0.15)	0.031 ± 0.006 (0.80 ± 0.15)	0.012 ± 0.008 (0.30 ± 0.20)

Dimensions in inches (mm)

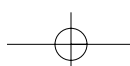
Electrical Characteristics Standard CIN-0402 Sizes

Part Number	Inductance L (nH)	Available Tolerances			Typ. Q (100 MHz)	Typ. Q (800 MHz)	Typ. SRF (MHz)	Max. DCR (Ohm)	Max. Current (mA)
		S ±0.3 nH	J ±5%	K ±10%					
CIN-0402-H1D0S*	1.0	X			11	34	4,000	0.12	300
CIN-0402-H1D2S*	1.2	X							
CIN-0402-H1D5S*	1.5	X							
CIN-0402-H1D8S*	1.8	X							
CIN-0402-H2D2S*	2.2	X			10	29	4,000	0.16	300
CIN-0402-H2D7S*	2.7	X							
CIN-0402-H3D3**	3.3	X		X	10	28	4,000	0.19	300
CIN-0402-H3D9**	3.9	X		X					
CIN-0402-H4D7**	4.7	X		X					
CIN-0402-H5D6**	5.6	X		X					
CIN-0402-H6D8**	6.8		X	X	10	28	3,900	0.32	250
CIN-0402-H8D2**	8.2		X	X					
CIN-0402-H10D**	10		X	X					
CIN-0402-H12D**	12		X	X	11	31	2,700	0.50	250
CIN-0402-H15D**	15		X	X					
CIN-0402-H18D**	18		X	X	11	30	2,100	0.65	200
CIN-0402-H22D**	22		X	X					
CIN-0402-H27D**	27		X	X					
CIN-0402-H33D**	33		X	X					
CIN-0402-H39D**	39		X	X	11	24	1,200	1.2	150
CIN-0402-H47D**	47		X	X					
CIN-0402-H56D**	56		X	X					

Notes: * Please add packaging code at the end of part.

** Please add tolerance and packaging code at the end of part.

Surface Mount Filters & Inductors





Surface Mount High Frequency Ceramic Chip Inductors

Electrical Characteristics *continued*

Standard CIN-0603 Sizes

Part Number	Inductance L (nH)	Available Tolerances				Typ. Q (100 MHz)	Typ. Q (800 MHz)	Typ. SRF (MHz)	Max. DCR (Ohm)	Max. Current (mA)
		S ±0.3 nH	T ±3%	J ±5%	K ±10%					
CIN-0603-H1D5S*	1.5	X				12	40	>6,000	0.10	300
CIN-0603-H1D8S*	1.8	X					36			
CIN-0603-H2D2S*	2.2	X					37			
CIN-0603-H2D7S*	2.7	X				13	41	>6,000	0.10	300
CIN-0603-H3D3**	3.3	X			X			5,700	0.12	
CIN-0603-H3D9**	3.9	X			X			5,600	0.14	
CIN-0603-H4D7**	4.7	X			X			4,800	0.16	
CIN-0603-H5D6**	5.6	X			X			4,350	0.18	
CIN-0603-H6D8**	6.8			X	X	14	43	3,750	0.22	300
CIN-0603-H8D2**	8.2			X	X			3,300	0.24	
CIN-0603-H10D**	10			X	X			2,850	0.26	
CIN-0603-H12D**	12			X	X			2,700	0.28	
CIN-0603-H15D**	15			X	X	15	43	2,400	0.32	300
CIN-0603-H18D**	18			X	X			2,050	0.35	
CIN-0603-H22D**	22		X	X	X	16	43	1,850	0.4	
CIN-0603-H27D**	27		X	X	X			1,750	0.45	
CIN-0603-H33D**	33		X	X	X	17	44	1,500	0.55	300
CIN-0603-H39D**	39		X	X	X			1,350	0.6	
CIN-0603-H47D**	47		X	X	X			1,200	0.7	

Notes: * Please add packaging code at the end of part.

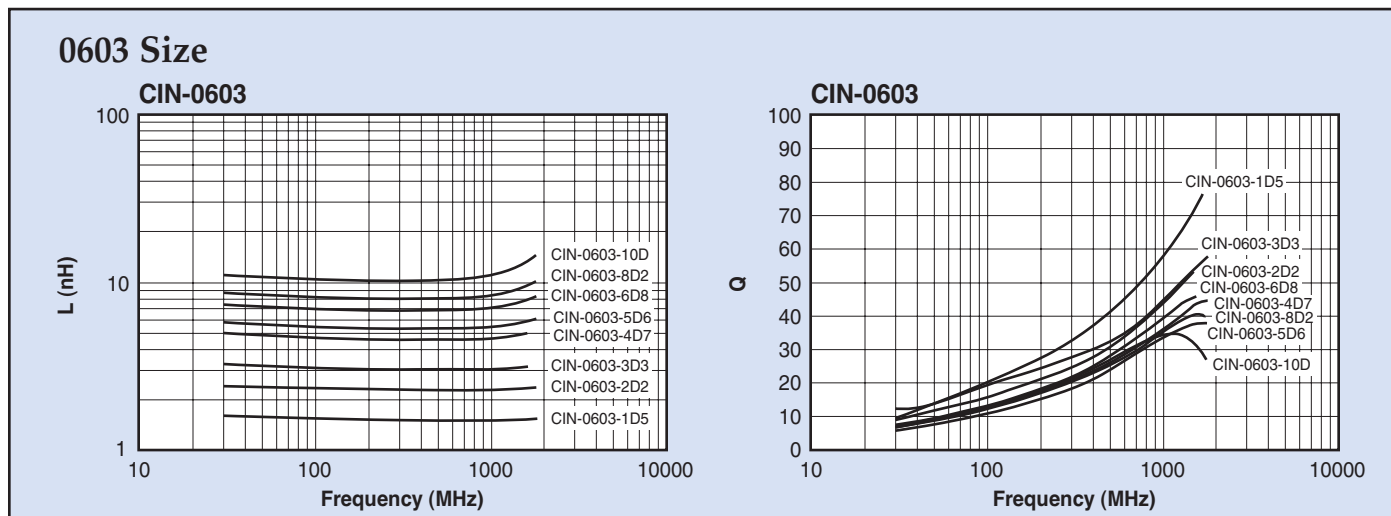
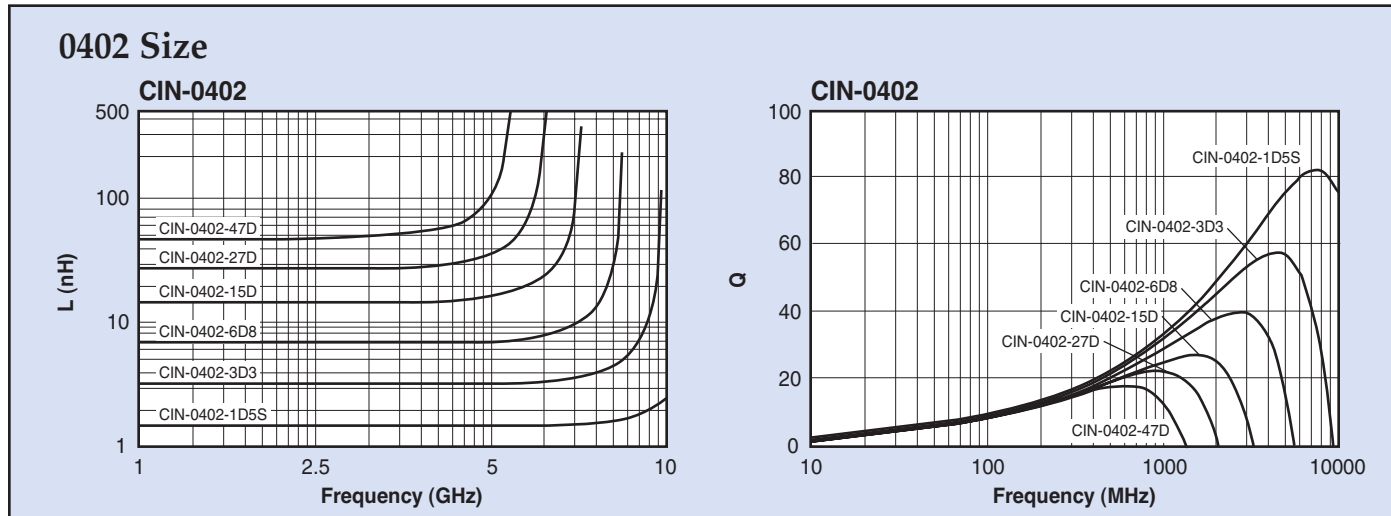
** Please add tolerance and packaging code at the end of part.

Surface Mount Filters & Inductors



Surface Mount High Frequency Ceramic Chip Inductors

Typical Impedance Characteristics (Curves not listed are available upon request or at our website.)



Surface Mount Filters & Inductors



Terminology

Surface Mount Filters & Inductors

Inductance

Inductance is the ability of a conductor to produce induced voltage when the current varies. The symbol for inductance is L and the unit is Henry (H).

- 1 H = 1,000 mH (milli Henry)
- 1 H = 1,000,000 μH (micro Henry)
- 1 H = 1,000,000,000 nH (nano Henry)

Inductance of Spectrum Control's inductors is measured by using an HP4191A/HP4291A/HP4286A Impedance Analyzer.

Impedance

Impedance is the measure of opposition to a current. The symbol for impedance is Z and the unit is Ohm.

$$Z = \sqrt{R^2 + X_L^2}$$

Where R is the resistance (not DC resistance) and X_L is the reactance. Z, R and X_L are all frequency dependent. Impedance of Spectrum Control's chip beads is measured by using an HP4291A/HP4286A Impedance Analyzer.

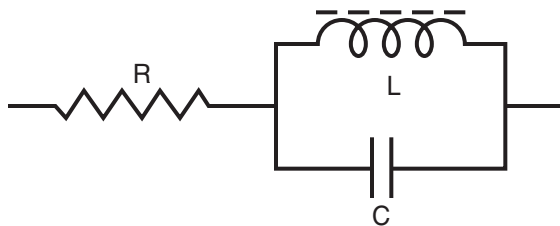
Direct Current Resistance (DCR)

DCR is the resistance of the component measured with direct current. DCR of Spectrum Control's inductive components is measured by using an HP4338A milli-ohmmeter.

Maximum Rated Current

Maximum rated current is a measure of the current carrying capacity of the component. When the maximum rated current is applied to the component, the temperature rise shall not exceed 20°C.

Equivalent Circuit of an Inductor



Using an ideal resistor, an ideal capacitor and an ideal inductor, a real inductor can be simulated. The resistor component in an equivalent circuit comes from the DC resistance of the electrode and the electromagnetic loss. The capacitive component comes from the parasitic capacitance of the coil.

Self-Resonant Frequency (SRF)

When the frequency changes, the capacitive reactance X_C and inductive reactance X_L also change. The self-resonance frequency is the frequency at which the X_L equals X_C . At self-resonance frequency, the inductor shows maximum impedance and a minimum line current. The SRF shall generally be specified as at least twice the application frequency, except for some special applications. The SRF of Spectrum Control's inductors is measured by using an HP4291A Impedance Analyzer/HP8753D Network Analyzer.

Quality Factor (Q)

Q is the quality factor of an inductor. It is the ratio of the inductor's ability to produce self-induced voltage over the resistance that reduces the current and the induced voltage. It can be considered as the ratio of the inductor's capability to store energy over the capability to consume energy.

$$Q = \frac{X_L}{R}$$

Q is highly dependent on frequency. Q values of Spectrum Control's inductors are measured by using an HP4291A Impedance Analyzer/HP8753D Network Analyzer.

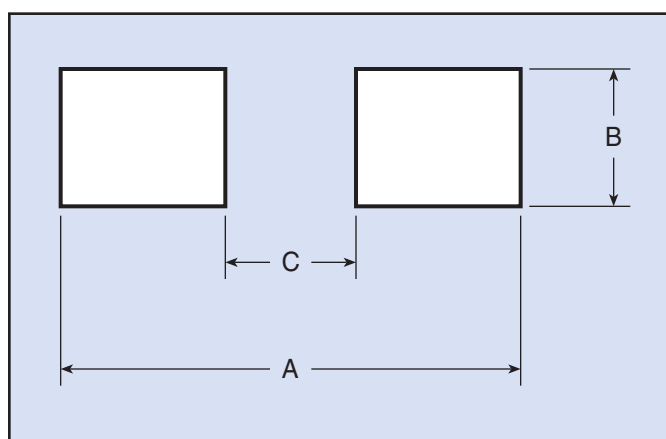


Land Patterns and Soldering Temperature Profiles

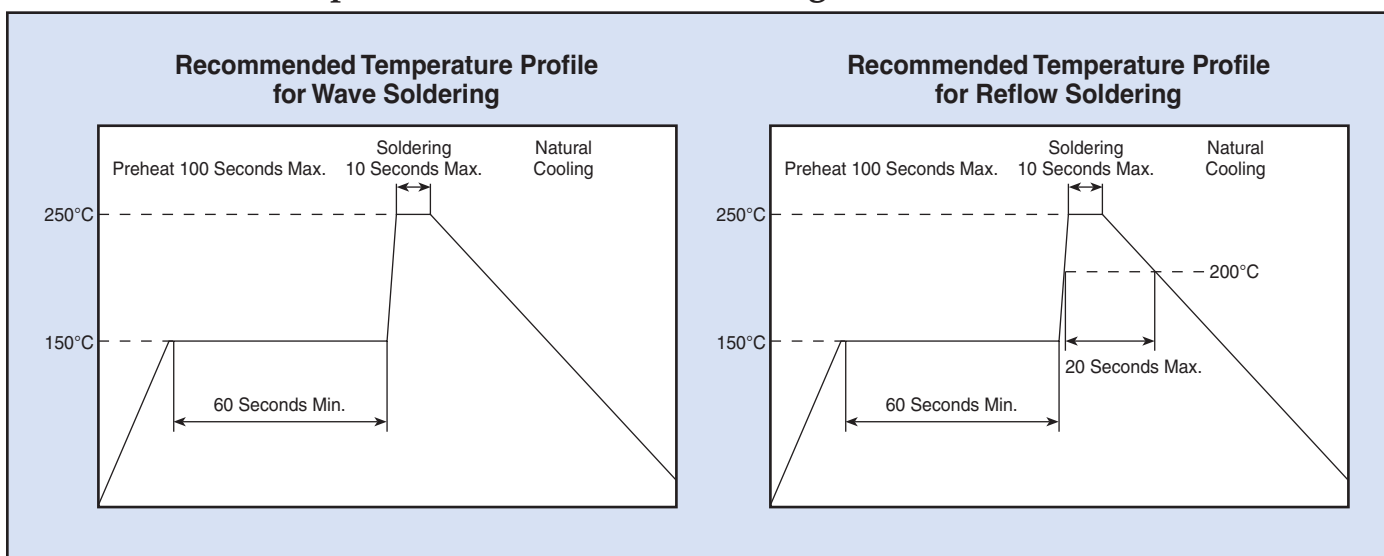
Recommended PC Board Land Patterns

Chip Size EIA (EIAJ)	A	B	C
0402 (1005)	0.051 (1.3)	0.020 (0.5)	0.016 (0.4)
0603 (1608)	0.102 (2.6)	0.031 (0.8)	0.023 (0.6)
0805 (2012)	0.118 (3.0)	0.039 (1.0)	0.039 (1.0)
1206 (3216)	0.173 (4.4)	0.055 (1.4)	0.087 (2.2)
1806 (4516)	0.217 (5.5)	0.055 (1.4)	0.118 (3.0)

Dimensions in inches (mm)



Recommended Temperature Profiles for Soldering



Surface Mount Filters & Inductors



Packaging and Storage

Packaging Specifications

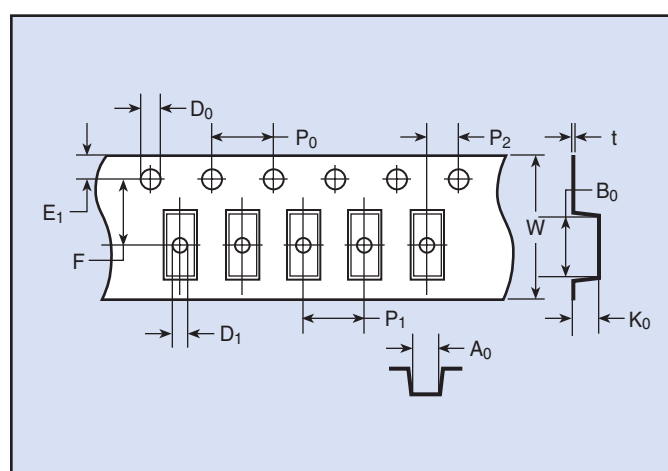
Spectrum Control's multilayer components are provided on tape-and-reel for use in pick-and-place machines or in bulk

for special applications. Both tape-and-reel and bulk products are sealed in plastic bags with desiccant. Standard reel size is 7 inch, 13 inch reels are available upon request.

Dimensions of Plastic Embossed Tape

Tape	A ₀	B ₀	K ₀
0402 (1005)	0.026 ± 0.004 (0.65 ± 0.1)	0.045 ± 0.004 (1.15 ± 0.1)	0.031 ± 0.004 (0.8 ± 0.1)
0505 (1313)	0.078 ± 0.023 (2.0 ± 0.6)	0.078 ± 0.023 (2.0 ± 0.6)	0.068 ± 0.023 (1.7 ± 0.6)
0603 (1608)	0.043 ± 0.004 (1.1 ± 0.1)	0.075 ± 0.004 (1.9 ± 0.1)	0.043 ± 0.004 (1.1 ± 0.1)
0805 (2012)	0.063 ± 0.004 (1.6 ± 0.1)	0.093 ± 0.004 (2.4 ± 0.1)	0.046 ± 0.004 (1.2 ± 0.1)
1111 (2828)	0.138 ± 0.023 (3.5 ± 0.6)	0.138 ± 0.023 (3.5 ± 0.6)	0.135 ± 0.028 (3.4 ± 0.7)
1206 (3216)	0.071 ± 0.004 (1.8 ± 0.1)	0.138 ± 0.004 (3.5 ± 0.1)	0.048 ± 0.004 (1.2 ± 0.1)
1806 (4516)	0.075 ± 0.004 (1.9 ± 0.1)	0.193 ± 0.004 (4.9 ± 0.1)	0.079 ± 0.004 (2.0 ± 0.1)
2525 (6464)	0.278 ± 0.023 (7.0 ± 0.6)	0.278 ± 0.023 (7.0 ± 0.6)	0.148 ± 0.023 (3.7 ± 0.6)
4040 (102102)	0.428 ± 0.023 (10.9 ± 0.6)	0.428 ± 0.023 (10.9 ± 0.6)	0.148 ± 0.023 (3.7 ± 0.6)

Dimensions in inches (mm)



Surface Mount Filters & Inductors

Tape	E ₁	F	W	P ₁	P ₀	P ₂	D ₀	D ₁	t																											
0402 (1005)	0.069 ± 0.004 (1.75 ± 0.1)	0.138 ± 0.002 (3.5 ± 0.05)	0.318 ± 0.002 (3.5 ± 0.05)	0.079 ± 0.004 (2.0 ± 0.1)	0.157 ± 0.004 (4.0 ± 0.1)	0.040 ± 0.002 (1.0 ± 0.05)	0.059 ± 0.004/-0 (1.5 ± 0.1/-0)	N/A	0.009 ± 0.001 (0.23 ± 0.02)																											
0505 (1313)			0.315 ± 0.012 (8.0 ± 0.30)	0.157 ± 0.004 (4.0 ± 0.1)		0.079 ± 0.002 (2.0 ± 0.05)			0.059 ± 0.004/-0 (1.5 ± 0.1/-0)	N/A	0.016 max. (0.400 max.)																									
0603 (1608)			0.318 ± 0.004 (8.1 ± 0.1)								0.157 ± 0.004 (4.0 ± 0.1)	0.079 ± 0.002 (2.0 ± 0.05)	0.059 ± 0.004/-0 (1.5 ± 0.1/-0)	N/A	0.0039 max. (1.0 max.)																					
0805 (2012)															0.217 ± 0.002 (5.5 ± 0.05)	0.157 ± 0.004 (4.0 ± 0.1)	0.079 ± 0.002 (2.0 ± 0.05)	0.059 ± 0.004/-0 (1.5 ± 0.1/-0)	N/A	0.009 ± 0.001 (0.23 ± 0.02)																
1111 (2828)																				0.295 ± 0.004 (7.5 ± 0.10)	0.157 ± 0.004 (4.0 ± 0.1)	0.079 ± 0.002 (2.0 ± 0.05)	0.059 ± 0.004/-0 (1.5 ± 0.1/-0)	N/A	0.0039 max. (1.0 max.)											
1206 (3216)																									Consult factory	0.059 min. (1.5 min.)	0.016 max. (0.400 max.)									
1806 (4516)																												Consult factory	0.059 min. (1.5 min.)	0.016 max. (0.400 max.)						
2525 (6464)																															Consult factory	0.059 min. (1.5 min.)	0.016 max. (0.400 max.)			
4040 (102102)																																		Consult factory	0.059 min. (1.5 min.)	0.016 max. (0.400 max.)

Note: Other sizes can be provided upon customers' request.

Dimensions in inches (mm)

Chip Size	Parts on 7 inch (178 mm) Reel	Parts on 13 inch (330 mm) Reel
0402 (1005)	10,000	—
0505 (1313)	4,000	15,000
0603 (1608)	4,000	12,000
0805 (2012)	4,000 *	10,000
1111 (2828)	3,000	10,000
1206 (3216)	3,000	10,000
1806 (4516)	2,000	10,000
1812 (4532)	1,000	—
2525 (6464)	1,000	5,000
4040 (102102)	—	1,000

Note: * Ferrite inductors in 0805 size with an inductance value of ≥ 2.7 μH are packaged 2,000 per 7" reel.

Storage Requirements

The maximum ambient temperature shall not exceed 40°C. Storage temperatures higher than 40°C could result in the deformation of packaging materials. The maximum relative humidity recommended for storage is 70%. High humidity with high temperature can accelerate the oxidation of the tin-lead plating on the termination and reduce the

solderability of the components. Sealed plastic bags with desiccant shall be used to reduce the oxidation of the termination and shall only be opened prior to use. The products shall not be stored in areas where harmful gases containing sulfur or chlorine are present.



Competitive Part Number Cross Reference

Spectrum Control Ferrite Chip Bead (FCB) and Ferrite Power Bead (FPB) Series Cross References

Spectrum Control	FCB/FPB (size) xxxx
KOA Speer	MCB/MCP (size) xxxx
Murata	BLM (size) xxxx
Philips	MLS (size)
Steward	HI/MI/LI/HZ (size) xxxx
Taiyo Yuden Taiyo Yuden	BK (size) xxxx FBM (size) xxxx
TDK TDK TDK TDK	ACB (size) xxxx HF50/70/30 (size) xxxx MMZ (size) xxxx MPZ (size) xxxx
Tecstar	TB/TI/TC
Tokin	N (size) xxxx
Vishay Dale	ILHB/ILBB/ILB (size) xxxx

Spectrum Control Ferrite Inductor (FIN) Series Cross References

Spectrum Control	FIN (size) xxxx
KOA Speer	MCI (size) xxxx
Murata	LQG (size) N
Steward	IC (size) xxxx
Taiyo Yuden	LK (size) xxxx
TDK	MLF (size) xxxx
Tecstar	TL (size) xxxx
Vishay Dale	ILSB (size) xxxx

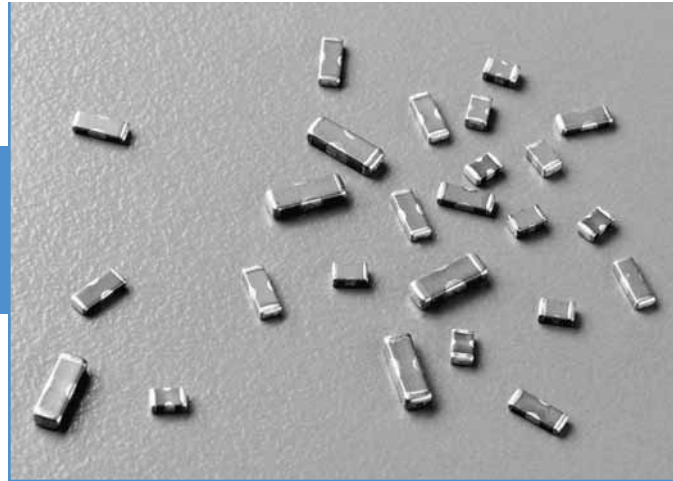
Spectrum Control Ceramic Inductor (CIN) Series Cross References

Spectrum Control	CIN (size) xxxx
KOA Speer	MHI (size) xxxx
Murata	LQG (size) A
Taiyo Yuden	HK (size) xxxx
TDK	MLG/R (size) xxxx
Tecstar	TF (size) xxxx
Toko	LL (size) xxxx

Surface Mount Filters & Inductors



Surface Mount EMI Filters Three Terminal Chips



Features

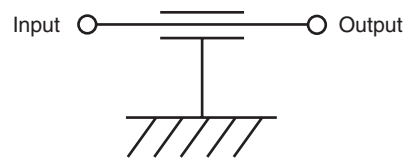
- Excellent performance in high current applications
- Non-polar, surface mountable
- Superior filtering characteristics
- Superb ability to withstand transient voltages and surge
- Offers exceptional solderability and resistance to solder heat
- Available in 0805, 1205 and 1806 body size
- Two amp current rating available

Applications

- Cellular telephones and base stations
- Telecommunication equipment
- Industrial electronic interface or programmable controllers
- Electronic automotive equipment
- Computer and peripheral equipment

Surface Mount Filters & Inductors

Circuit Schematic



Typical Electrical Characteristics

<i>Capacitance Range</i>		COG (NPO)	22 pF to 470 pF
		X7R	470 pF to 47,000 pF
<i>Capacitance Tolerance</i>		COG (NPO)	+50/-20%
		X7R	+50/-20%
<i>Temperature Coefficient</i>		COG (NPO)	0 ±30 ppm/°C, -55 to +125°C
		X7R	+/-15%, -55 to +125°C
<i>Insulation Resistance</i>			up to 22,000 pF 10000 Megohms
			47,000 pF 5000 Megohms
<i>DC Resistance</i>			0.4 Amp or less 0.3 ohm max.
			1 Amp 0.08 ohm max.
			2 Amp 0.04 ohm max.



Surface Mount EMI Filters Three Terminal Chips

Selection Guide

Part Number	Body Size	Capacitance (in picofarad)	Capacitance Tolerance	Temp. Charact.	Rated Voltage (Volts DC)	Rated Current (Amps DC)	IR (Megohms Min.)	DC Resistance (ohm Max.)	Operating Temp.
SF0805C220SBNC-*	0805	22	+50/-20%	COG	50	0.4	10,000	0.3	-55/+125°C
SF0805C470SBNC-*	0805	47	+50/-20%	COG	50	0.4	10,000	0.3	-55/+125°C
SF0805C101SBNC-*	0805	100	+50/-20%	COG	50	0.4	10,000	0.3	-55/+125°C
SF0805C221SBNC-*	0805	220	+50/-20%	COG	50	0.4	10,000	0.3	-55/+125°C
SF0805X471SBNC-*	0805	470	+50/-20%	X7R	50	0.4	10,000	0.3	-55/+125°C
SF0805X102SBNC-*	0805	1,000	+50/-20%	X7R	50	0.4	10,000	0.3	-55/+125°C
SF0805X222SBNC-*	0805	2,200	+50/-20%	X7R	50	0.4	10,000	0.3	-55/+125°C
SF0805X223SBND-*	0805	22,000	+50/-20%	X7R	50	1.0	10,000	0.08	-55/+125°C
SF1205C220SBNB-*	1205	22	+50/-20%	COG	50	0.3	10,000	0.3	-55/+125°C
SF1205C470SBNB-*	1205	47	+50/-20%	COG	50	0.3	10,000	0.3	-55/+125°C
SF1205C101SBNB-*	1205	100	+50/-20%	COG	50	0.3	10,000	0.3	-55/+125°C
SF1205C221SBNB-*	1205	220	+50/-20%	COG	50	0.3	10,000	0.3	-55/+125°C
SF1205X471SBNB-*	1205	470	+50/-20%	X7R	50	0.3	10,000	0.3	-55/+125°C
SF1205X102SBNB-*	1205	1,000	+50/-20%	X7R	50	0.3	10,000	0.3	-55/+125°C
SF1205X222SBNB-*	1205	2,200	+50/-20%	X7R	50	0.3	10,000	0.3	-55/+125°C
SF1205X223SBNB-*	1205	22,000	+50/-20%	X7R	50	0.3	10,000	0.3	-55/+125°C
SF1205X473SBND-*	1205	47,000	+50/-20%	X7R	50	1.0	5,000	0.08	-55/+125°C
SF1806C220SDNB-*	1806	22	+50/-20%	COG	100	0.3	10,000	0.3	-55/+125°C
SF1806C470SDNB-*	1806	47	+50/-20%	COG	100	0.3	10,000	0.3	-55/+125°C
SF1806C101SDNB-*	1806	100	+50/-20%	COG	100	0.3	10,000	0.3	-55/+125°C
SF1806C221SDNB-*	1806	220	+50/-20%	COG	100	0.3	10,000	0.3	-55/+125°C
SF1806C471SDNB-*	1806	470	+50/-20%	COG	100	0.3	10,000	0.3	-55/+125°C
SF1806X102SDNB-*	1806	1,000	+50/-20%	X7R	100	0.3	10,000	0.3	-55/+125°C
SF1806X222SDNB-*	1806	2,200	+50/-20%	X7R	100	0.3	10,000	0.3	-55/+125°C
SF1806X103SDNB-*	1806	10,000	+50/-20%	X7R	100	0.3	10,000	0.3	-55/+125°C
SF1806X223SDNB-*	1806	22,000	+50/-20%	X7R	100	0.3	10,000	0.3	-55/+125°C
2 AMP FILTER SF1806Y224ZBNE-*	1806	220,000	+80/-20%	Y5V †	50	2.0	1,000	0.04	-25/+85°C

Bold Letter = High Current Applications

-* = Denotes Packaging Style. Replace with T for Tape and Reel or B for Bulk

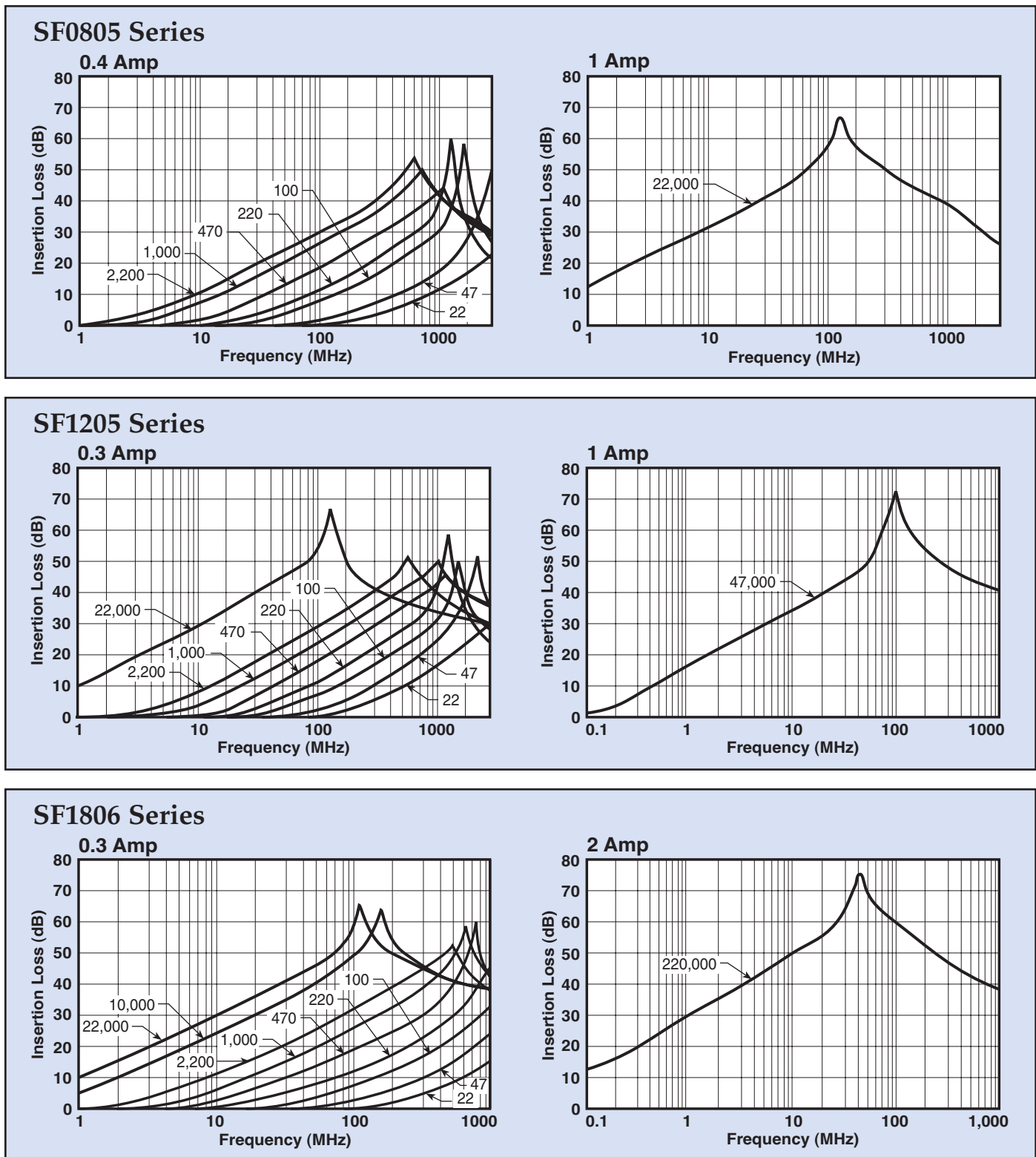
† = Temperature Characteristic is +30/-80%



Surface Mount EMI Filters Three Terminal Chips

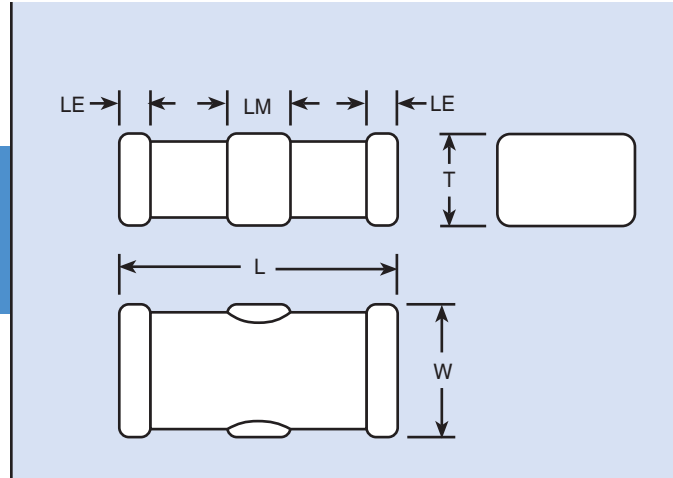
Surface Mount Filters & Inductors

Insertion Loss (Per MIL-STD-220)





Surface Mount EMI Filters Three Terminal Chips



Mechanical Dimensions

Dimensions in inches (mm)

Body Style/Size	Body Length (L)	Body Width (W)	Body Thickness (T)	End Terminal Length (LE)	Middle Terminal Length (LM)
SF0805	0.079 +/-0.008 (2.0 +/-0.2)	0.049 +/-0.008 (1.25 +/-0.2)	0.032 +/-0.008 (0.8 +/-0.2)	0.012 +/-0.008 (0.3 +/-0.2)	0.024 +/-0.008 (0.6 +/-0.2)
SF1205	0.126 +/-0.008 (3.2 +/-0.2)	0.049 +/-0.008 (1.25 +/-0.2)	0.028 +/-0.008 (0.7 +/-0.2)	0.016 +/-0.012 (0.4 +/-0.3)	0.043 +/-0.012 (1.1 +/-0.3)
SF1806	0.177 +/-0.012 (4.5 +/-0.3)	0.063 +/-0.012 (1.6 +/-0.3)	0.039 +/-0.012 (1.0 +/-0.3)	0.020 +/-0.012 (0.5 +/-0.3)	0.055 +/-0.012 (1.4 +/-0.3)

Ordering Information

Example: **SF0805C221SBNCT**

This part number represents a three terminal chip with a body size of 0805 with a COG (NPO) dielectric. The capacitance is 220 pF with a capacitance tolerance of +50%/-20%. Voltage rating is 50 Volts DC. It has nickel barrier, solder plated terminations and a current rating of 0.4 Amp, (400 milliamps). The parts are taped and reeled.

SF	0805	C	221	S	B	N	C	T
Style	Size	Ceramic	Capacitance Code	Capacitance Tolerance	Rated Voltage (Vdc)	Termination	Current Rating	Packaging
SF	0805 1205 1806	C - COG X - X7R Y - Y5V	First Two Numbers are Significant, the Third Number Refers to Number of Zeroes	S - +50%/-20% Z - +80%/-20%	B - 50 D - 100	N - Ni Barrier, Solder Plated	B - 0.3 A C - 0.4 A D - 1 A E - 2 A	T - Tape and Reel B - Bulk

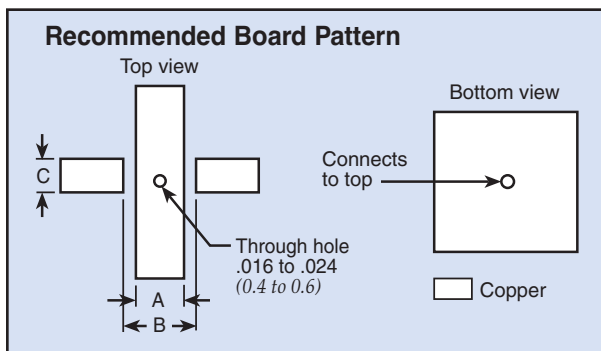


Surface Mount EMI Filters Three Terminal Chips Soldering Specifications

Surface Mount Filters & Inductors

Soldering Instructions

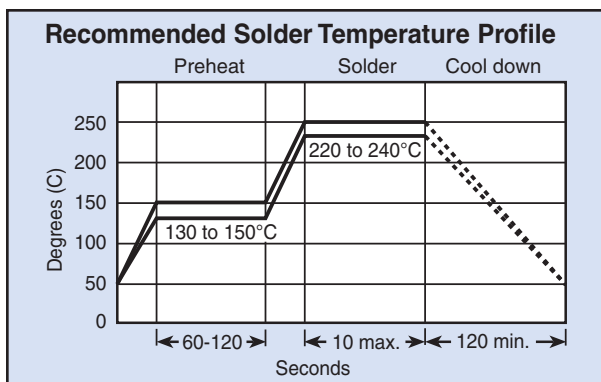
Reflow Soldering



Board Pattern Dimensions in inches (mm)

Body Style/Size	Dimension		
	A	B	C
SF0805	0.024 (0.6)	0.059 (1.5)	0.039 (1.0)
SF1205	0.051 (1.3)	0.091 (2.3)	0.047 (1.2)
SF1806	0.079 (2.0)	0.138 (3.5)	0.051 (1.3)

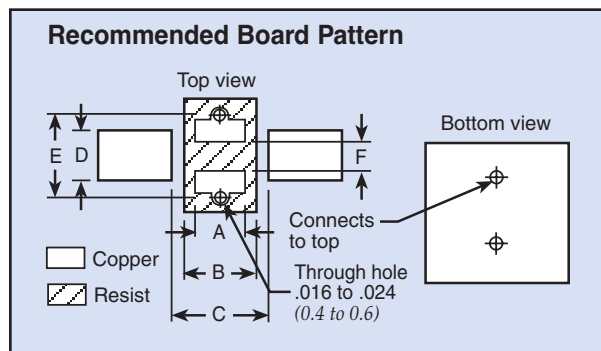
Reflow Soldering



General Soldering Notes

- High soldering temperatures and long soldering times can cause leaching of the termination and adversely affect adhesion. These conditions can also decrease capacitance value. Use the above recommended solder temperature cycle.
- Due to the mechanical characteristic of ceramic composition, aggressive thermal shock will degrade performance. Preheat the assembly before soldering using the above solder temperature profile as a guide.

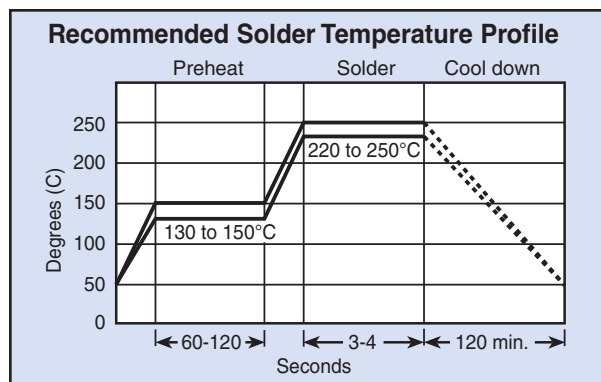
Flow Soldering



Board Pattern Dimensions in inches (mm)

Body Style/Size	Dimension					
	A	B	C	D	E	F
SF0805	0.024 (0.6)	0.031 (0.8)	0.059 (1.5)	0.039 (1.0)	0.087 (2.2)	0.024 (0.6)
SF1205	0.051 (1.3)	0.059 (1.5)	0.091 (2.3)	0.047 (1.2)	0.118 (3.0)	0.024 (0.6)
SF1806	0.059 (1.5)	0.079 (1.5)	0.138 (3.5)	0.051 (1.3)	0.118 (3.0)	0.024 (0.6)

Flow Soldering



- Use mild flux (less than 0.2% by weight of Chlorine), preferable rosin based. If water soluble, wash thoroughly to assure all residue is removed from the underside of components.
- Ultrasonic Cleaning
When using an ultrasonic cleaning method, the following range is recommended:
Frequency: Not to exceed 28KHz
Output Power: Not to exceed 20W/liter
Cleaning Time: 5 minutes max

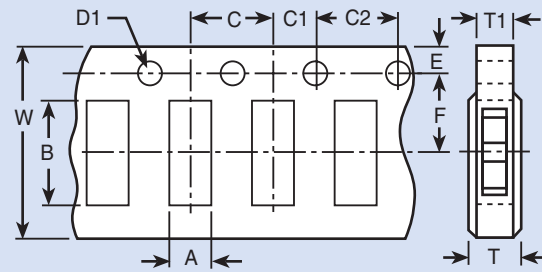


Surface Mount EMI Filters Three Terminal Chips Packaging Specifications

Package Quantities

Body Style/Size	Tape and Reel
SF0805	4,000 units/reel
SF1205	4,000 units/reel
SF1806	2,000 units/reel

Package Information Paper Tape Dimensions SF0805 and SF1205 Bodies



Dimensions in inches (mm)

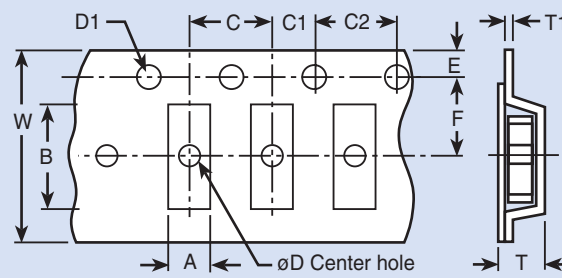
Body Style/Size	Chip Cavity		Tape			Holes			Hole Diameter		Thickness	
	Length A	Width B	Width W	Center to End F	Indexing to End E	Center to Center C	Indexing to Center C1	Indexing to Indexing C2	Indexing D1	Overall T (Max.)	Carrier Tape T1 (Max.)	
SF0805	0.064	0.091	0.315	0.138	0.069	0.157	0.079	0.157	0.059	0.043	0.039	
	+/-0.008 (1.62 +/-0.2)	+/-0.008 (2.3 +/-0.2)	+/-0.012 (8.0 +/-0.3)	+/-0.002 (3.5 +/-0.05)	+/-0.004 (1.75 +/-0.1)	+/-0.004 (4.0 +/-0.1)	+/-0.004 (2.0 +/-0.1)	+/-0.008 (4.0 +/-0.1)	+0.004/-0 (1.5 +0.1/-0)	(1.1)	(1.0)	
SF1205	0.067	0.138	0.315	0.138	0.069	0.157	0.079	0.157	0.059	0.043	0.039	
	+/-0.008 (1.70 +/-0.2)	+/-0.008 (3.5 +/-0.2)	+/-0.012 (8.0 +/-0.3)	+/-0.002 (3.5 +/-0.05)	+/-0.004 (1.75 +/-0.1)	+/-0.004 (4.0 +/-0.1)	+/-0.004 (2.0 +/-0.1)	+/-0.008 (4.0 +/-0.1)	+0.004/-0 (1.5 +0.1/-0)	(1.1)	(1.0)	

Plastic Reel Dimensions

Dimensions in inches (mm)

Body Style/Size	Diameter (Max.)	Width (Max.)
SF0805	7.00 (180)	0.46 (11.5)
SF1205	7.00 (180)	0.46 (11.5)
SF1806	7.00 (180)	0.61 (11.5)

Package Information Tape and Reel Specification Plastic Carrier Tape Dimensions SF1806 Body



Dimensions in inches (mm)

Body Style/Size	Chip Cavity		Tape			Holes			Hole Diameter		Thickness	
	Length A	Width B	Width W	Center to End F	Indexing to End E	Center to Center C	Indexing to Center C1	Indexing to Indexing C2	Center D (Min.)	Indexing D1	Overall T (Max.)	Tape T1 (Max.)
SF1806	0.071	0.185	0.472	0.217	0.069	0.157	0.079	0.157	0.059	0.059	0.098	0.024
	+/-0.008 (1.80 +/-0.2)	+/-0.008 (4.70 +/-0.2)	+/-0.008 (12.0 +/-0.2)	+/-0.002 (5.5 +/-0.05)	+/-0.004 (1.75 +/-0.1)	+/-0.004 (4.0 +/-0.1)	+/-0.004 (2.0 +/-0.1)	+/-0.008 (4.0 +/-0.1)	(1.5)	(1.5 +0.1/-0)	(2.5)	(0.6)



Surface Mount EMI Filters LC Type Chips

Features

- High efficiency EMI surface mount filter
- Non-polar, surface mountable
- Ideally suited for high frequency signal lines
- Steep insertion loss (IL) characteristics
- Effective over a wide range of frequencies
- Monolithic construction of dielectric and ferrite materials
- Available in the 0805 and 1206 body sizes

Typical Electrical Characteristics

Cut-off
Frequency Ranges 10 MHz to 220 MHz

Cut-off
Frequency Tolerances ± 20%

Rated Voltage 25 Volt

Rated Current 100 milliamp

IR 10 Megohms min.

Temperature Range -25°C to +85°C

DC Resistance 6 ohms max.

Applications

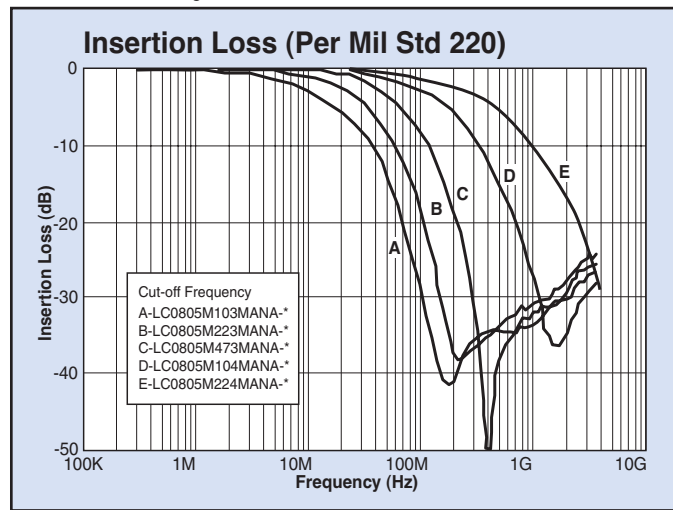
- Cellular telephones and base stations
- Telecommunication equipment
- Industrial electronic interface or programmable controllers
- Computer and peripheral equipment
- Digital AV equipment such as TV, VCR and DVD
- Digital circuit equipment

Package Quantities

Body Style/Size	Tape and Reel
LC0805	4,000 units/reel
LC1206	4,000 units/reel

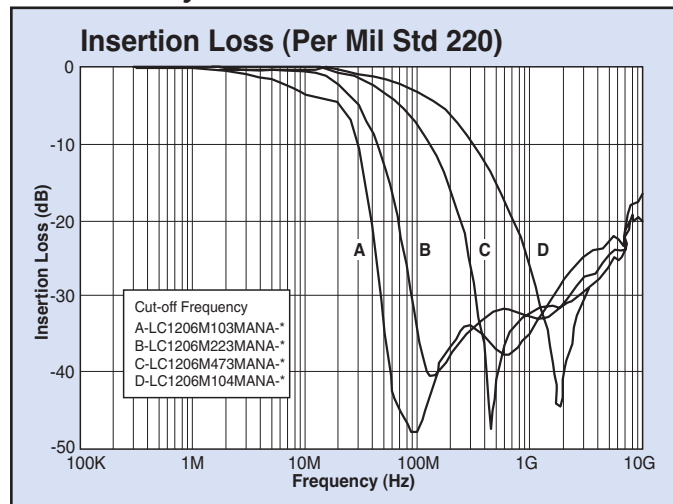


LC0805 Style



* Denotes packaging style, replace with T for tape and reel or B for bulk

LC1206 Style



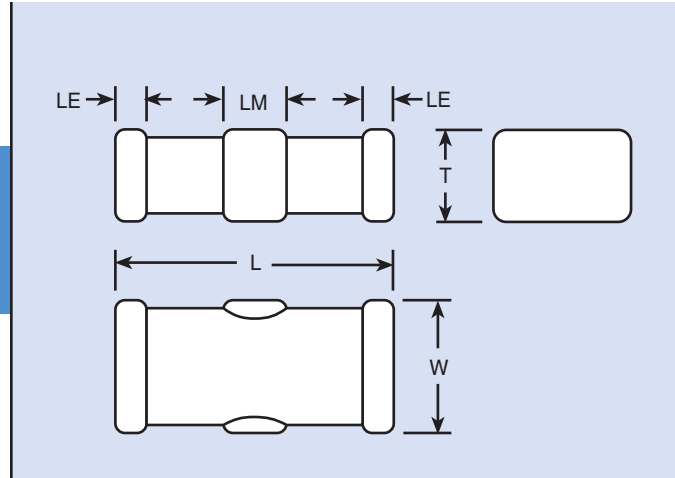
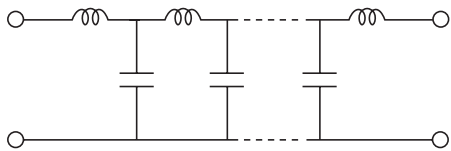
* Denotes packaging style, replace with T for tape and reel or B for bulk

Surface Mount Filters & Inductors



Surface Mount EMI Filters LC Type Chips

Circuit Schematic



Mechanical Dimensions

Dimensions in inches (mm)

Body Style/Size	Body Length (L)	Body Width (W)	Body Thickness (T)	End Terminal Length (LE)	Middle Terminal Length (LM)
LC0805	0.079 ± 0.008 (2.0 ± 0.2)	0.049 ± 0.008 (1.25 ± 0.2)	0.032 ± 0.008 (0.8 ± 0.2)	0.012 ± 0.008 (0.3 ± 0.2)	0.024 ± 0.008 (0.6 ± 0.2)
LC1206	0.126 ± 0.008 (3.2 ± 0.2)	0.058 ± 0.008 (1.60 ± 0.2)	0.0394 ± 0.008 (1.0 ± 0.2)	0.016 ± 0.012 (0.4 ± 0.3)	0.043 ± 0.012 (1.1 ± 0.3)

Selector Guide

Part Number	Body Size	Cut-off Frequency	Cut-off Frequency Tolerance	Rated Voltage	Rated Current	I.R.	Temperature Range
LC0805M103MANA-*	0805	10 MHz	± 20%	25 V	100 mA	10 MΩ	-25°C ~ +85°C
LC0805M223MANA-*		22 MHz					
LC0805M473MANA-*		47 MHz					
LC0805M104MANA-*		100 MHz					
LC0805M224MANA-*		220 MHz					
LC1206M103MANA-*	1206	10 MHz	± 20%	25 V	100 mA	10 MΩ	-25°C ~ +85°C
LC1206M223MANA-*		22 MHz					
LC1206M473MANA-*		47 MHz					
LC1206M104MANA-*		100 MHz					
LC1206M224MANA-*		220 MHz					

* Denotes packaging style, replace with T for tape and reel or B for bulk

Ordering Information

Example: **LC1206M223MANAT**

This part number represents an LC EMI filter chip with a body size of 1206. The cut-off frequency is 22 MHz with a tolerance of ± 20%, voltage rating is 25 Volts DC. It has nickel barrier, solder plated termination and a current rating of 0.1 Amp (100 milliamps). The parts are taped and reeled.

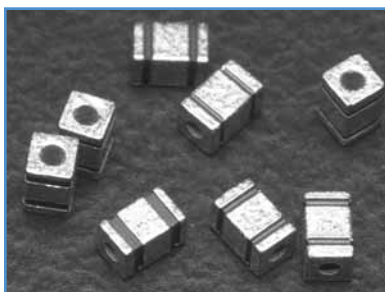
LC	1206	M223	M	A	N	A	T
Style	Size	Cut-off Frequency	Cut-off Tolerance	Rated Voltage	Termination	Rated Current	Packaging
LC	0805 1206	M103 = 10 MHz M223 = 22 MHz M473 = 47 MHz M104 = 100 MHz M224 = 220 MHz	M = ± 20%	A = 25 VDC	N = Ni Barrier, Solder Plated	A = 0.1 A (100 mA)	T = Tape and Reel B = Bulk



Surface Mount Low Pass Filters MSM, SSM, RSM & PSM Series

Surface Mount Filters & Inductors

MSM - Miniature Surface Mount Chip Capacitors



The MSM series filters feature high temperature construction and have current ratings up to 10 Amps. The filter chips will hardly allow residual inductance and the self-resonant frequency extends to the microwave band. Applications include telecommunication equipment, computer and peripheral equipment and digital AV equipment, medical equipment, DC power supply lines.

- Miniature footprint help in dense circuit configuration
- Rated at 10 Amps
- Packaged in tape and reel or bulk form
- Operating temperature ranges of -25°C to $+85^{\circ}\text{C}$ and -55°C to $+125^{\circ}\text{C}$
- Available lead free/RoHs Compliant

SSM - Square Surface Mount Filters



The SSM series filters feature high temperature construction and have current ratings up to 10 Amps. The filter chip series are non-polar and surface mountable with excellent performance characteristics and come in a Pi circuit configuration. Applications include telecommunication equipment, computer and peripheral equipment, digital AV equipment, power amplifiers, power supplies and high current bus lines.

- Square mechanical geometry enhances SMT soldering
- Rated to 10 Amps
- Packaged in tape and reel or bulk form
- Operating temperature range of -55°C to $+125^{\circ}\text{C}$
- Available lead free/RoHs Compliant

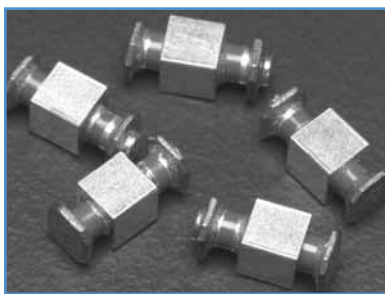
RSM - Round Surface Mount Filters



The RSM series filters feature high temperature construction and have current ratings up to 10 Amps. The filter chip series are non-polar and surface mountable with excellent performance characteristics and come in a Pi circuit configuration. Applications include telecommunication equipment, computer and peripheral equipment, digital AV equipment, power amplifiers, power supplies and high current bus lines.

- Round mechanical geometry enhances SMT soldering
- Rated to 10 Amps
- Packaged in tape and reel or bulk form
- Operating temperature range of -55°C to $+125^{\circ}\text{C}$
- Available lead free/RoHs Compliant

PSM - Power Surface Mount Filters



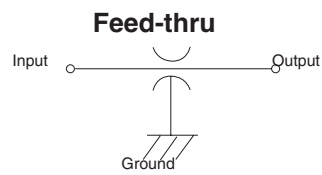
The PSM series filters feature high temperature construction and have current ratings up to 20 Amps. This filter series is non-polar and surface mountable with excellent performance characteristics and come in either a Feed-thru or Pi circuit configuration. Applications include telecommunication equipment, computer and peripheral equipment, digital AV equipment, power amplifiers, power supplies and high current bus lines.

- Provides time and costs saving compared to thru-hole filters
- Rated to 20 Amps
- Packaged in tape and reel or bulk form
- Operating temperature range of -55°C to $+125^{\circ}\text{C}$
- Available lead free/RoHs Compliant



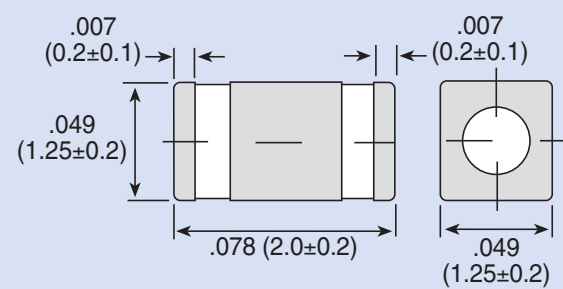
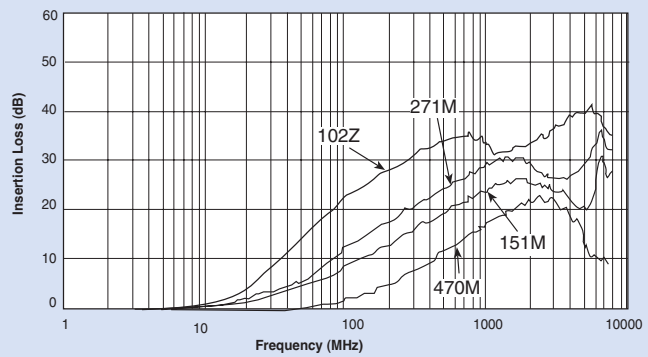
Surface Mount Low Pass Filters MSM Series

MSM



Working Voltage 50 VDC
 Test Voltage 150 VDC
 Current Rating 10 Amps max.
 Insulation Resistance 1.0 MΩ
 Terminations Ni-Barrier
 Soldering Conditions Max. 250°C-5 sec.

Insertion Loss



MSM

Dimensions in inches (mm)

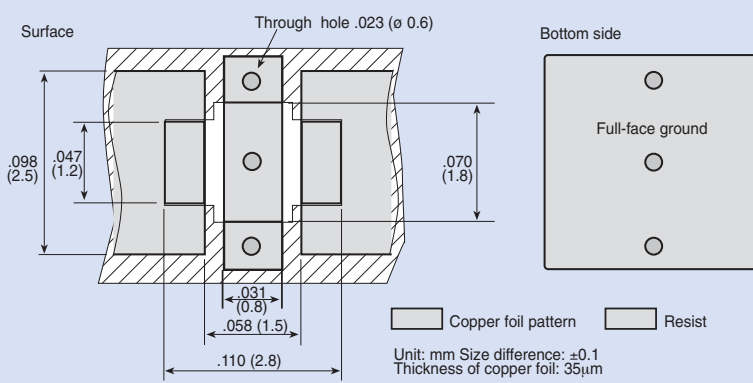
MSM Ordering Information

MSM	4	T	470M	10	T				
Style	Circuit Configuration	Temperature Characteristic	Capacitance	Current Rating	Packaging				
MSM (Miniature)	4 - Feed-thru	R - +/-15% T - +22/-33% V - +22/-82%	<table border="1"> <tr> <th>Value</th> <th>Tolerance</th> </tr> <tr> <td>47 pF</td> <td>+50/- 20%</td> </tr> </table>	Value	Tolerance	47 pF	+50/- 20%	10 Amps	T - Tape and Reel 2,000 pcs/reel B - Bulk pack 1,000pcs/reel
Value	Tolerance								
47 pF	+50/- 20%								

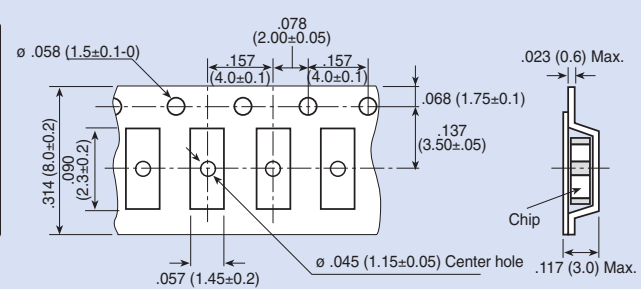
Specifications

Part Number	Temperature Characteristics	Capacitance	Capacitance Tolerance	Current Rating	Rated Rating	Temperature Range
MSM4T470M10	T	47pF	+50/-20%	10A	50VDC	-55/+125°C
MSM4R151M10	R	150pF				-55/+125°C
MSM4R271M10	R	270pF				-55/+125°C
MSM4V102M10	V	1000pF				-25/+85°C

MSM Recommended Board Pattern



MSM Tape and Reel Packaging



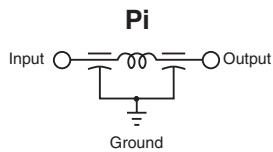
Dimensions in inches (mm)



Surface Mount Low Pass Filters SSM & RSM Series

Surface Mount Filters & Inductors

SSM



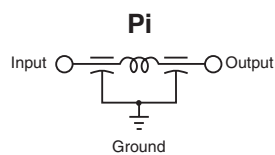
- Working Voltage 100 VDC
- Test Voltage 250 VDC
- Current Max. 10 Amps
- Insulation Resistance Min. 10^4 M Ω
- Terminations Silver Ni-Tin plated
- Soldering Conditions Max. 250°C -5 sec.
- Marking None
- Packaging Bulk or Tape and Reel

Note: Insertion loss shown for the following SSM values* only:

- 101Z
- 501P
- 202P

*Additional IL charts available by request.

RSM



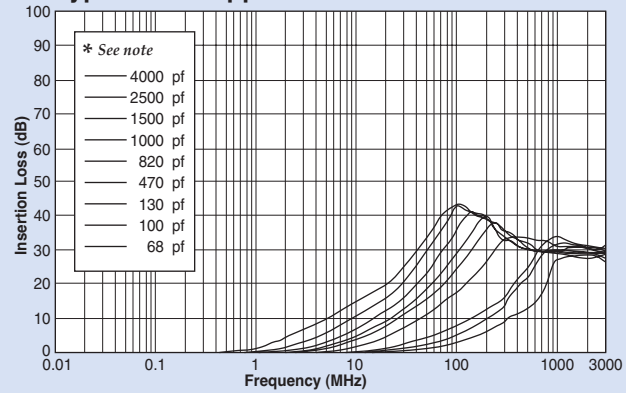
- Working Voltage 100 VDC
- Test Voltage 250 VDC
- Current Max. 10 Amps
- Insulation Resistance Min. 10^4 M Ω
- Terminations Silver Ni-Tin plated
- Soldering Conditions Max. 250°C -5 sec.
- Marking None
- Packaging Bulk or Tape and Reel

Note: Insertion loss shown for the following RSM values only:

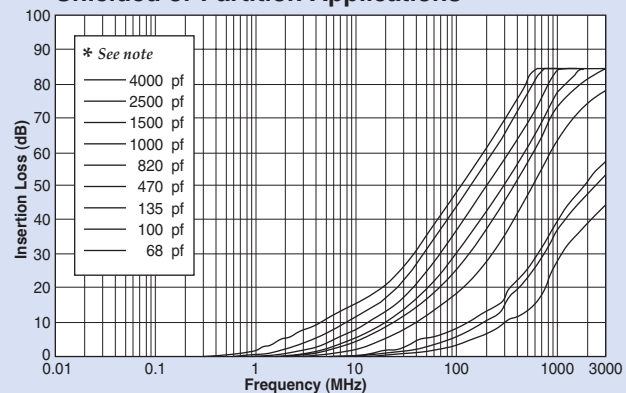
- 152P
- 402Z

Pi Insertion Loss

Typical SMT Applications

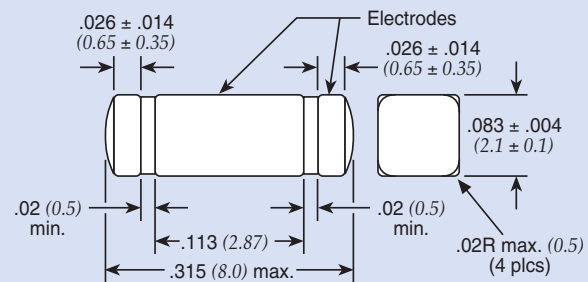


Shielded or Partition Applications

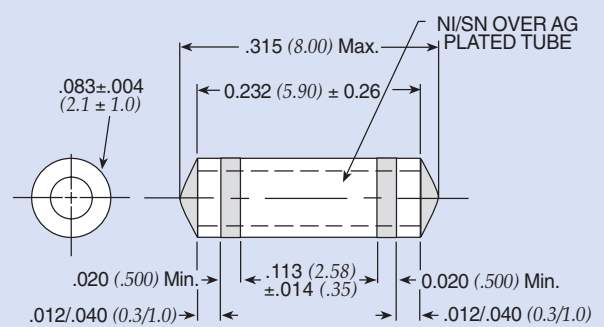


* Capacitance values for insertion loss curves are displayed left to right in the order shown.

SSM



RSM



Dimensions in inches (mm)



Surface Mount Low Pass Filters SSM & RSM Series

SSM & RSM Ordering Information

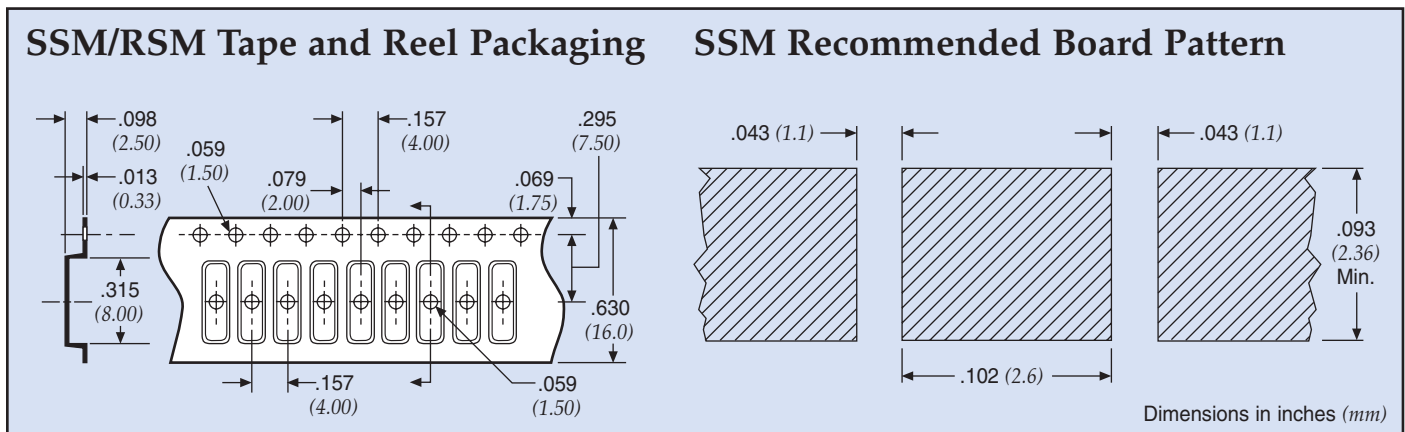
Example: **SSM1-101Z-05T**

<p>SSM</p> <hr style="width: 50%; margin: 0 auto;"/> <p>Style</p> <p>SSM (Square) RSM (Round)</p>	<p>1</p> <hr style="width: 50%; margin: 0 auto;"/> <p>Circuit Configuration</p> <p>1 - Pi</p>	<p>101Z</p> <hr style="width: 50%; margin: 0 auto;"/> <p>Capacitance</p>	<p>05</p> <hr style="width: 50%; margin: 0 auto;"/> <p>Current Rating</p> <p>05 - 5 Amps 10 - 10 Amps</p>	<p>T</p> <hr style="width: 50%; margin: 0 auto;"/> <p>Packaging</p> <p>T - Tape and reel packaging B - Bulk packaging</p>	<p>1</p> <hr style="width: 50%; margin: 0 auto;"/> <p>Tape and Reel</p> <p>1 - 1,000 pieces 6 - 6,000 pieces</p> <p><i>Note: Tape and reel packaging - 1,000 pieces (7") and 6,000 pieces (13")</i></p>
---	---	--	---	---	---

Code	Value	Tolerance
101Z	100 pF	+80/-20%
501P	500 pF	+100/-0%
152P	1500 pF	+100/-0%
202P	2000 pF	+100/-0%
402E	4000 pF	±25
402Z	4000 pF	+80/-20%

† Also available through Spectrum Control's authorized distributors.
 € Also available through Spectrum Control's authorized European distributors/agents.
 † SSM1-152P-05-T1 €

Surface Mount Filters & Inductors

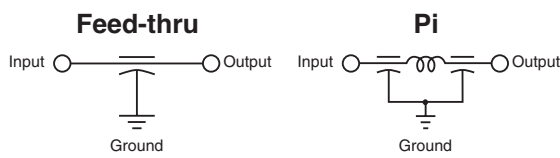




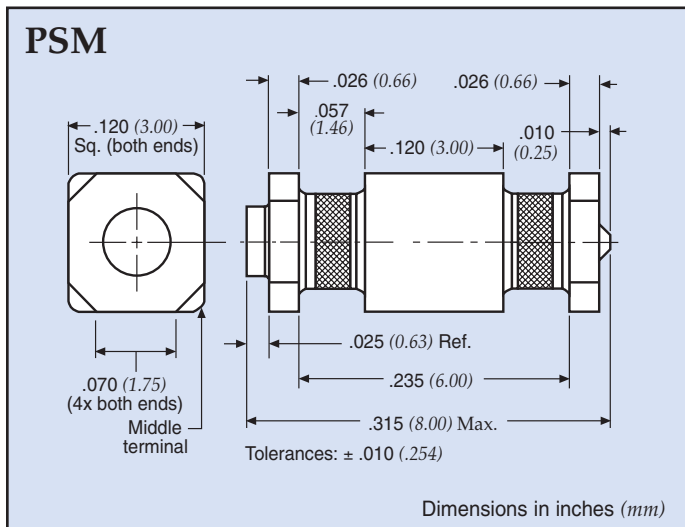
Surface Mount Low Pass Filters PSM Series

Surface Mount Filters & Inductors

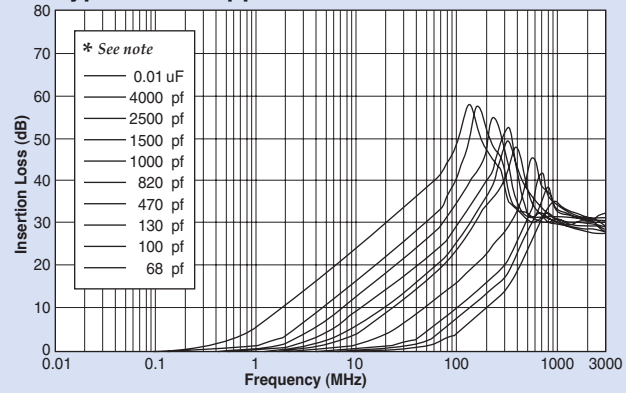
PSM



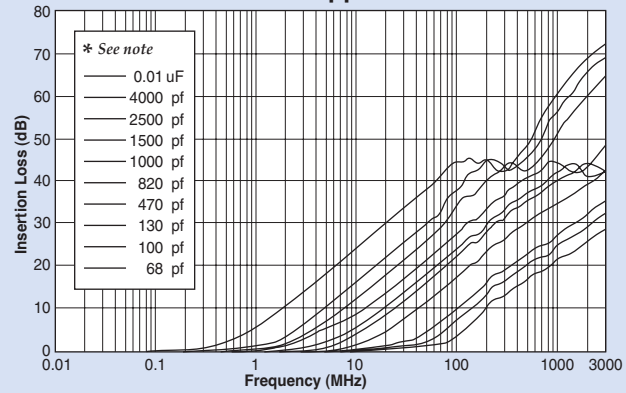
Voltage Rating DC	200 VDC @ -55°C to +125°C
Voltage Rating AC	125 VAC @ 60Hz
DWV	700 VDC
Current Rating	20 Amps (Feed-thru) max. 10 Amps (Pi) max.
Insulation Resistance	1.0 GΩ @ 25°C
Dissipation Factor	4.0% maximum
D.C.R.	Max. .0005Ω, typ. .0002Ω



Feed-thru Insertion Loss Typical SMT Applications



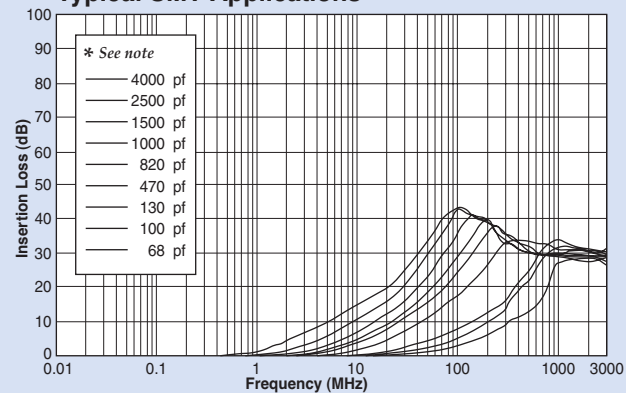
Shielded or Partition Applications



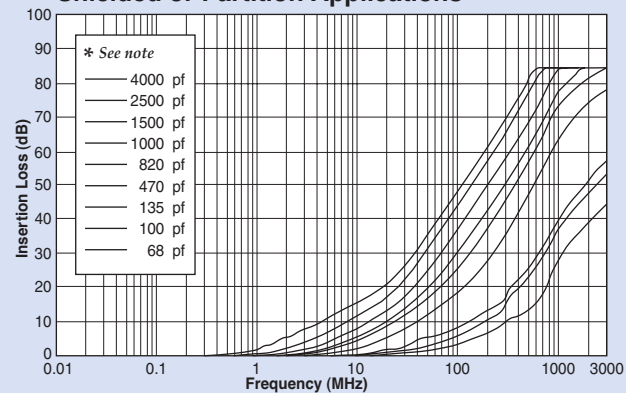
* Capacitance values for insertion loss curves are displayed left to right in the order shown.

Pi Insertion Loss

Typical SMT Applications



Shielded or Partition Applications





Surface Mount Low Pass Filters PSM Series

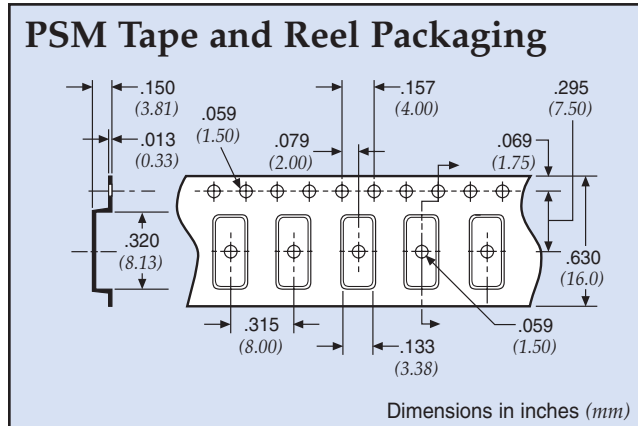
PSM Ordering Information

Example: **PSM4-402Z-20T0**

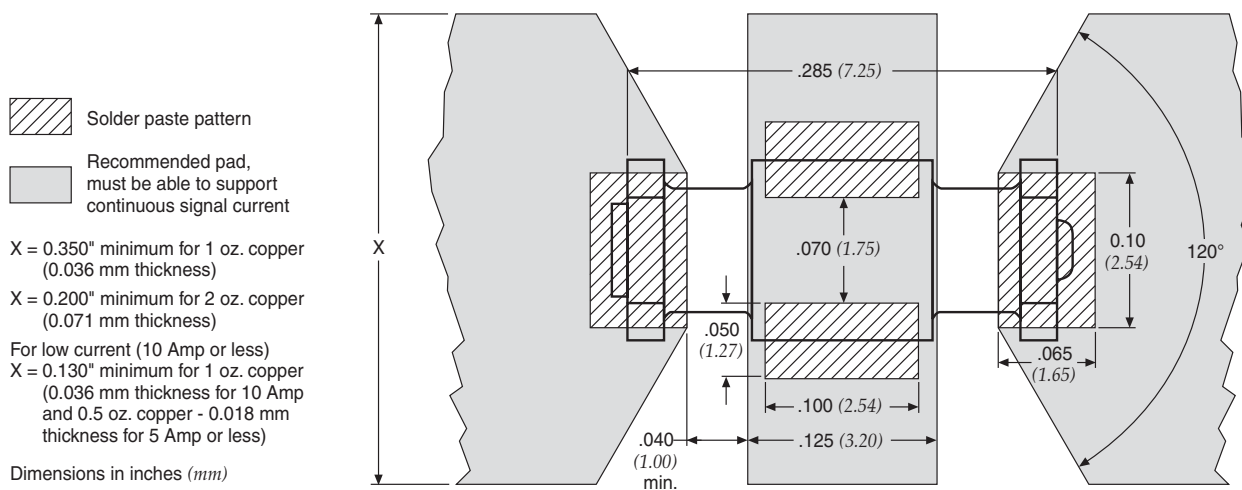
PSM	4	-	402Z	-	20	T	0																																	
Style	Circuit Configuration		Capacitance		Current Rating	Packaging	Tape and Reel																																	
PSM (Power)	1 - Pi 4 - Feed-thru		<table border="1"> <thead> <tr> <th>Code</th> <th>Value*</th> <th>Tolerance</th> </tr> </thead> <tbody> <tr><td>680M</td><td>68 pF</td><td>±20%</td></tr> <tr><td>101M</td><td>100 pF</td><td>±20%</td></tr> <tr><td>131P</td><td>130 pF</td><td>+100/-0%</td></tr> <tr><td>471P</td><td>470 pF</td><td>+100/-0%</td></tr> <tr><td>821M</td><td>820 pF</td><td>±20%</td></tr> <tr><td>102M</td><td>1000 pF</td><td>±20%</td></tr> <tr><td>152M</td><td>1500 pF</td><td>±20%</td></tr> <tr><td>252P</td><td>2500 pF</td><td>+100/-0%</td></tr> <tr><td>402Z</td><td>4000 pF</td><td>+80/20%</td></tr> <tr><td>103Z**</td><td>.01 µF</td><td>+80/-20%</td></tr> </tbody> </table>	Code	Value*	Tolerance	680M	68 pF	±20%	101M	100 pF	±20%	131P	130 pF	+100/-0%	471P	470 pF	+100/-0%	821M	820 pF	±20%	102M	1000 pF	±20%	152M	1500 pF	±20%	252P	2500 pF	+100/-0%	402Z	4000 pF	+80/20%	103Z**	.01 µF	+80/-20%		10 - 10 Amps (Pi) 20 - 20 Amps (Feed Thru)	T - Tape and reel packaging B - Bulk packaging	0 - 500 pieces 2 - 2,000 pieces <i>Note: Tape and reel packaging - 500 pieces (7") and 2,000 pieces (13")</i>
Code	Value*	Tolerance																																						
680M	68 pF	±20%																																						
101M	100 pF	±20%																																						
131P	130 pF	+100/-0%																																						
471P	470 pF	+100/-0%																																						
821M	820 pF	±20%																																						
102M	1000 pF	±20%																																						
152M	1500 pF	±20%																																						
252P	2500 pF	+100/-0%																																						
402Z	4000 pF	+80/20%																																						
103Z**	.01 µF	+80/-20%																																						
† Also available through Spectrum Control's authorized distributors. € Also available through Spectrum Control's authorized European distributors/agents. † PSM1-402Z-10T0 € † PSM4-103Z-20T0 € † PSM4-152M-20T0 € † PSM4-402Z-20T0 €																																								
* Other capacitance values available as special order. ** Available in Feed-thru circuit only.																																								

Technical Notes

- Soldering recommendations supplied upon request
- Reflow temperature limit is 250°C
- Unit weight is approximately 0.4 grams
- Tape and reel packaging available for automated assembly



PSM Recommended Board Pattern





Thru-hole Filters High Frequency PCB Filters

The economical High Frequency PCB Filter offers electrical characteristics which allow many devices to meet most government and industry specifications for EMI control, while providing good electrostatic discharge protection.

A lossy ferrite filter with a center ground lead is terminated within the filter's thermoset epoxy body.

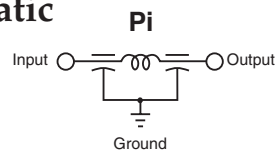
The High Frequency PCB Filter offers savings three ways. First is the low cost of the filter assembly. Second is the economy of installation. Three silver plated leads are inserted into holes in a printed circuit board which has a ground path circuit, for conventional flows-soldering with other components. No special mounting plate or brackets are needed and when the holes are placed as recommended in a .062 (1.57mm) thick board, no lead trimming is required. Elimination of hand soldering provides opportunities for improved quality in addition to applied-cost benefits.

A third savings results from placing a filter at the source of an EMI problem, potentially eliminating the need for additional filtering at other points in the circuit.

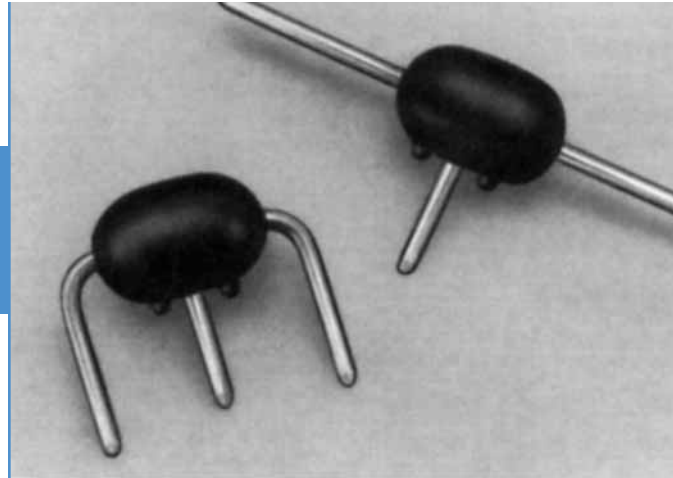
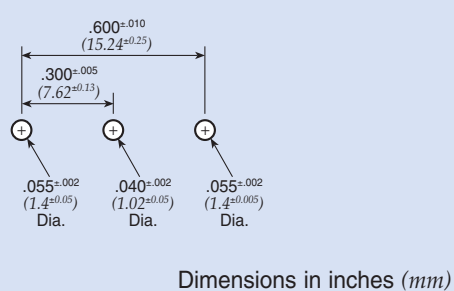
Features

- Provides EMI filtering to protect low power digital circuits - helps equipment meet FCC and VDE specifications
- Mounts directly to printed circuit board with no bracket or plate for lower applied costs - can be flow soldered with other components
- Encapsulated for environmental protection
- Mounts on PCB to begin filtering at the source of the problem
- Built-in standoffs permit cleaning or coating under the filter

Circuit Schematic



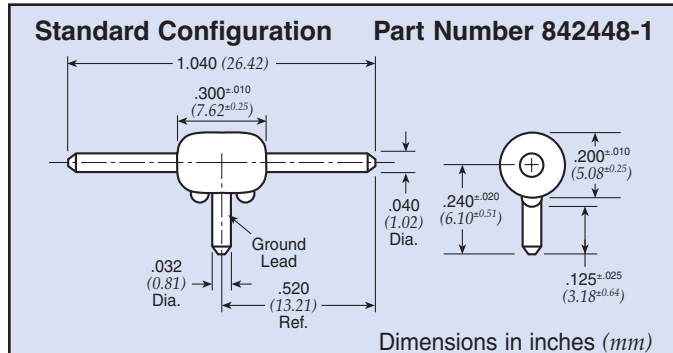
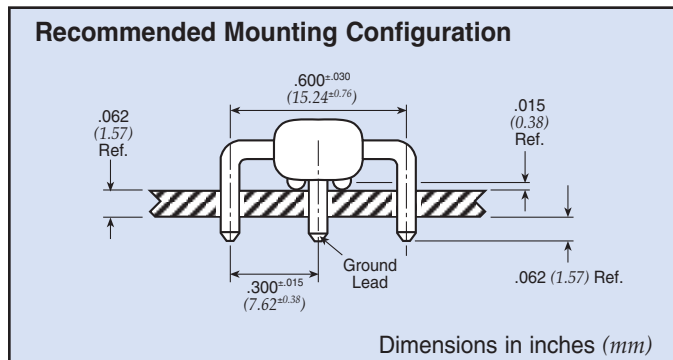
Recommended PCB Hole Layout

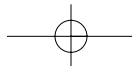


Typical Electrical Characteristics

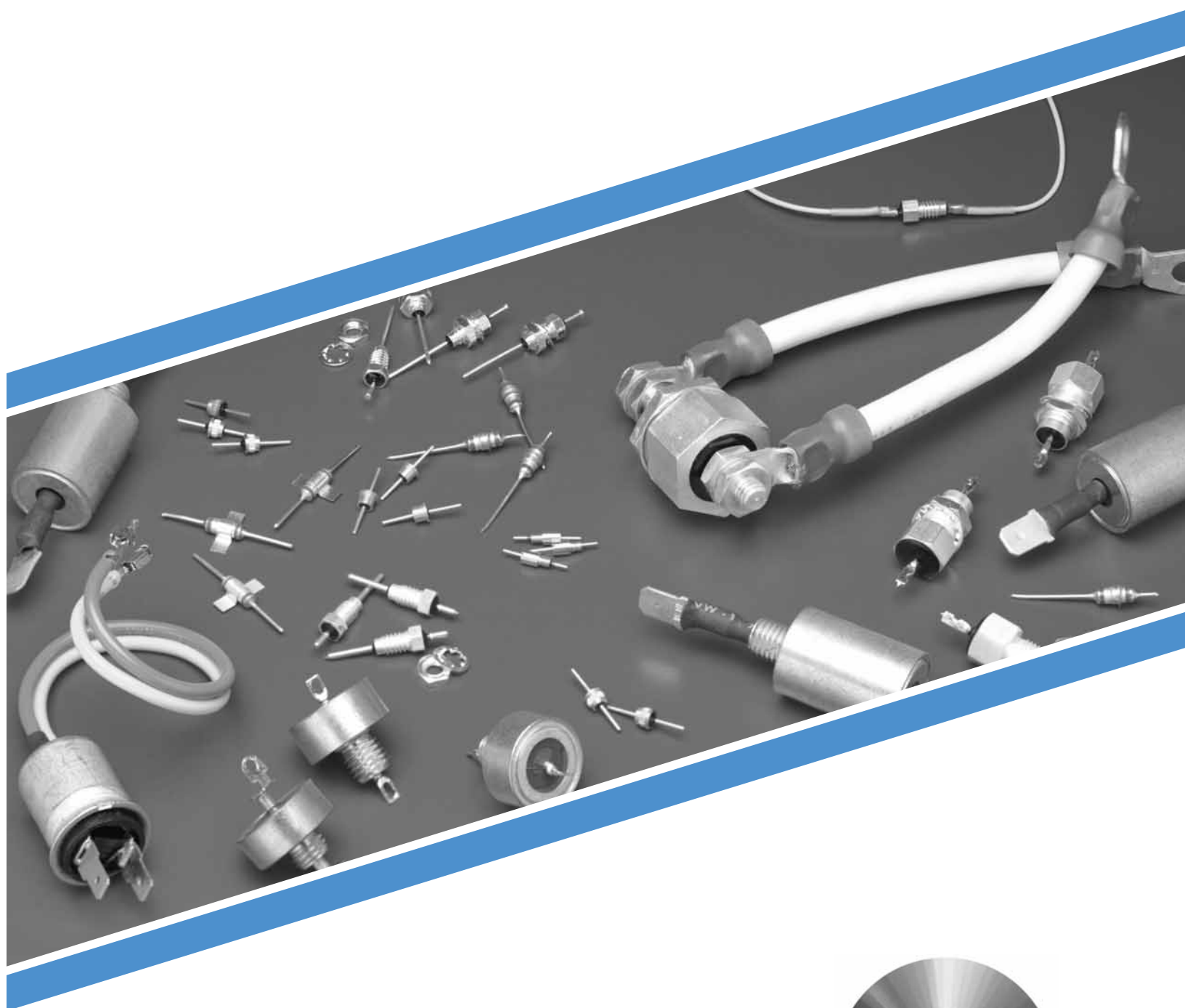
Current	Max. 10A DC; 0.3A RF
Operating Voltage	Max. 50 VDC, -25°C +85°C
Capacitance	800 pF min.
Dissipation Factor	0.1 Max.
Dielectric		
Withstanding Voltage	125 VDC for 5 seconds
Insulation Resistance	Min. 100 MegOhms at 100 VDC for 2 minutes and 25°C
Direct Current		
Resistance	0.002 ohms Max.
Minimum No-Load		
Insertion Loss	Per MIL-STD-220 at 25°C; PCB mounted, 50 ohm strip line
		3dB @ 8 MHz
		10dB @ 25 MHz
		15dB @ 50 MHz
		20dB @ 100 MHz-1GHz

Preformed to Recommended Mounting Configuration Part Number 842448-2

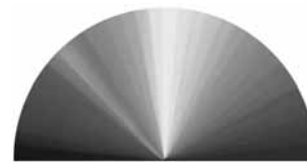




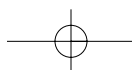
Low Pass EMI Filters



ISO 9001
CERTIFIED



SPECTRUM CONTROL INC.
A Control Products and Systems Company
Signal and Power Integrity Group





Low Pass Filter Selection Guide

Other Key Pages	Pages
Filter Installation	16
Performance Testing.....	17-18
Value Added Filter Assemblies	100
Military Cross Reference	237-239

MLFT Filters

- Performance through the GHz range
- Standard and custom mechanical packages available
- Transient voltage & surge protection available in some packages
- Available in multiple line packages

Motor Line Feed-Thru Technology (MLFT) is an innovative new line of filters designed to be a flexible, low cost solution to EMI (RF) noise issues. This product can be used in a variety of applications requiring high capacitance at lower voltages with the option of custom designed, easy to retro fit mechanical packaging.

MLFT Filters 65

Solder-in Filters

- Small size to allow effective use of space
- Voltage ratings to 750 VDC
- Multiple circuit configurations: C & Pi standard L circuit also available
- High temperature construction to prevent reflow during installation
- MIL-F-15733 QPL and MIL-C-11015 (CK99) filters available

Solder-in filters are ideal for use in critical areas where space does not allow use of mounting tools or hardware. The solder-in feature also allows installation in unison with other board mounted components. Primarily used in filtering signal/data lines and AC power lines.

Solder-in Filters
 C 66-67
 Pi 68-69
 Miniature Solder-in Filters 70

Resin Sealed Bolt-in Filters

- Wide range of sizes: 4-40 thread through 5/16-24 thread
- Voltage ratings to 500 VDC/220 VAC
- MIL-F-15733 QPL filters available
- Multiple circuit configurations: C, L and Pi
- Metric Threaded filters available
- Spec-Spin and Spec-Mini Press filters

These filters are easily mounted in a tapped hole or thru-hole with supplied nut and lock-washer. The rugged case with resin seals at both ends provides excellent environmental protection. Primarily used in filtering signal/data lines and DC power lines. The Spec-Mini Press and Spec Spin Filters are ideal for use where solder is undesirable. Each offers easy filter substitution and are for use in microwave applications and other high frequency applications.

Spec Mini-Press 9900 Series . . . 71
 Spec Spin Filters 72
 Resin Sealed Bolt-in Filters
 4-40 73-75
 6-32 76
 6-40 76
 8-32 77-78
 10-32 79
 12-28/32 80-82
 5/16-24, 5/16-32 83

High Current/High Voltage Resin Sealed Filters

- Current ratings up to 100 Amps
- Continuous voltage ratings up to 2500 VDC/240 VAC
- U.L. 1459 recognized and CSA C22.2 certified versions available
- Rugged bolt-in style for easy installation

High current filters are ideal for use in high current 5 volt logic buss, but also can be used for +/-48 VDC telephone rack buss, high current switch mode power supplies and DC charging systems. High voltage filters find use in high voltage power supplies and applications requiring U.L. Hi-Pot.

High Voltage Filters
 25 Amp 84-85
 UL/CSA Filters
 50 Amp 84-85
 100 Amp 84-85

Hermetically Sealed Case Filters

- Popular .375/.410" and .690" case diameters
- Voltage ratings from 50 VDC to 400 VDC/240 VAC
- Filter configurations available: C, L, Pi, T and double T
- MIL-F-15733 and MIL-F-28861 QPL filters available

This series of filters features hermetic glass seals and high EMI filtering performance. They are excellent for critical applications that demand high reliability in the toughest environmental conditions and provide broadband high performance EMI filtering from 10 KHz to over 10 GHz.

Case Dia.	Filter	Pages
.375 .410	C	87
	L	88-92
	Pi	93-94
	Transient Suppression	
	Pi	94
	T	95
.690	TT	96
	C	97
	L	98-99
	Pi	100
	T	101



MLFT Filters

Motor Line Feed-Thru Technology (MLFT) is an innovative new line of filters designed to be a flexible, low cost solution to EMI (RF) noise issues.

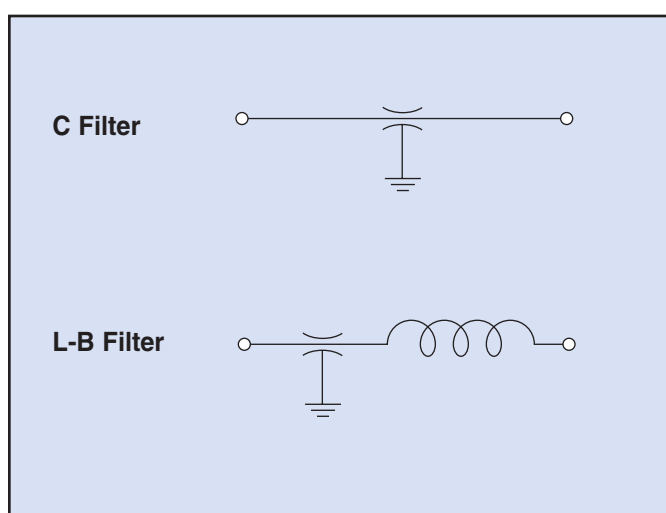
The product was originally developed to solve the filtering needs of DC motors, allowing them to pass the stringent standards that govern these motors in various industries they are used. Although this product was developed with the DC motors in mind, it can be used in almost any application that requires high capacitance at lower voltages with the option of custom designed, easy to fit mechanical packaging.

By utilizing our vast experience in designing, testing products at our on-site lab, and manufacturing integrated filtering products; we can quickly and economically design an easy to use solution to any EMC issue.

With easy installation in mind, our feed-thru packages are designed to be placed at the product's interface to the outside world at the low impedance ground — where filtering is optimized. Thus eliminating the need for complex PC boards that are required when trying to incorporate surface mount components and boards into a system.

Features

- Performance through the GHz range
- Standard and custom mechanical packages available
- Transient voltage & surge protection available in some packages
- Available in multiple line packages



Low Pass Filters



Solder-in Filters

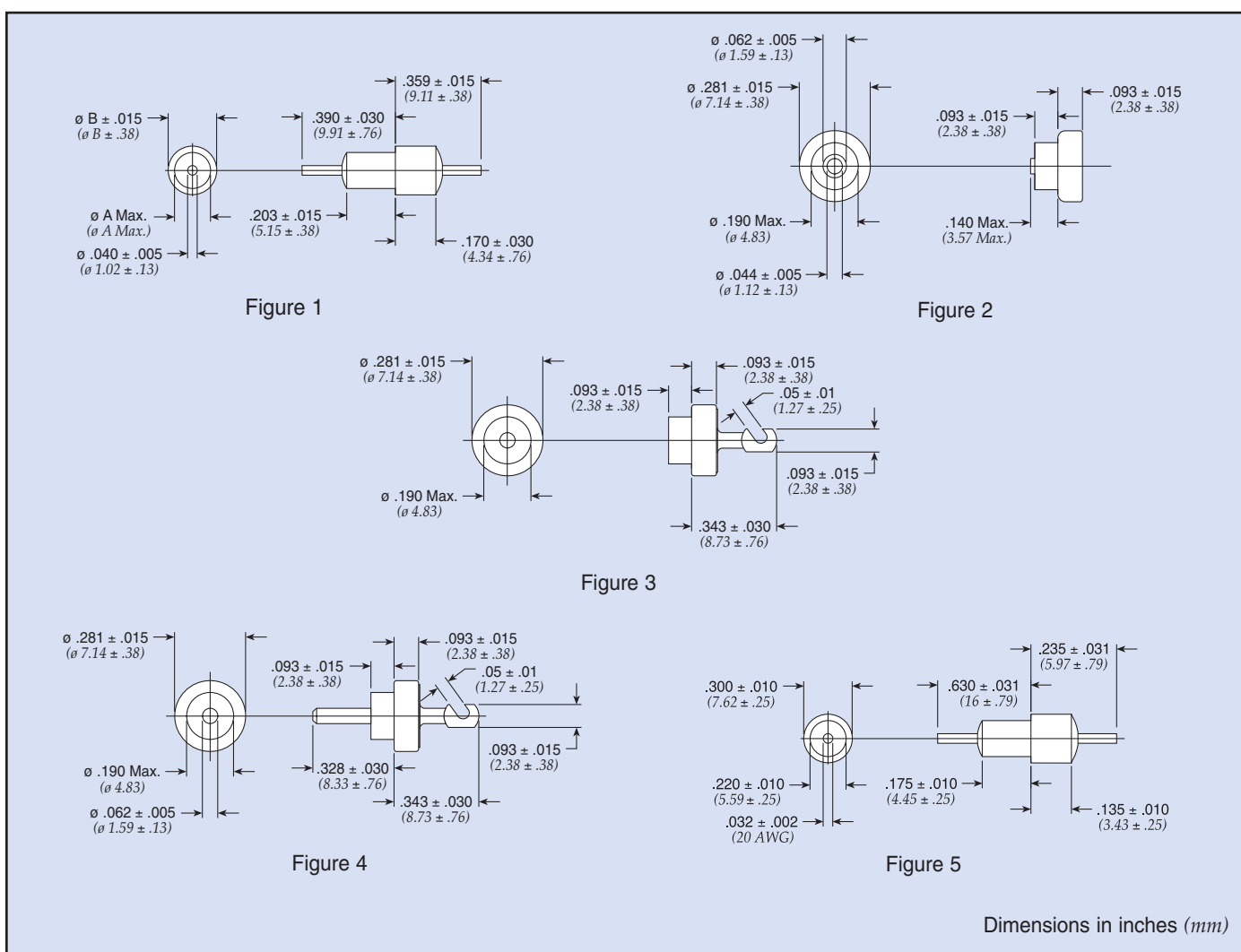
Solder-in filters are ideal for use in critical areas where space does not allow use of mounting tools or hardware. The solder-in feature also allows installation in unison with other board mounted components. Primarily used in filtering signal/data lines and DC power lines.



Features

- Small size to allow effective use of space
- Voltage ratings to 750 VDC
- Multiple circuit configurations: C, L & Pi available
- High temperature construction to prevent reflow during installation
- MIL-F-15733 QPL versions available

Low Pass Filters





Solder-in Filters

Solder-in C Circuit

Part Number	See Pg. 64 for Fig.	A		B		Rated Voltage 125°C DC	I Amp	Cap*	Minimum Insertion Loss (dB)						
		In	(mm)	In	(mm)				1 MHz	10 MHz	30 MHz	100 MHz	300 MHz	1 GHz	10 GHz
54-786-003	1	0.156	(3.96)	0.203	(5.16)	50	10	0.30 µF	32	47	54	60	66	70	70
54-785-002	1	0.125	(3.18)	0.184	(4.67)	100	10	0.05 µF (min)	16	33	41	45	48	50	50
54794002X5R101M	4	—	—	—	—	250	25	100 pF ± 20%	—	—	—	—	10	20	20
54803004X5R101M	3	—	—	—	—	250	25	100 pF ± 20%	—	—	—	—	10	20	20
54802002X5R101M	2	—	—	—	—	250	25	100 pF ± 20%	—	—	—	—	10	20	20
† 54794002X5R471M	4	—	—	—	—	250	25	470 pF ± 20%	—	—	—	12	22	25	25
† 54803004X5R471M	3	—	—	—	—	250	25	470 pF ± 20%	—	—	—	12	22	25	25
54802002X5R471M	2	—	—	—	—	250	25	470 pF ± 20%	—	—	—	12	22	25	25
† 54802002X5V102P	2	—	—	—	—	250	25	1000 pF	—	—	—	15	25	35	40
† 54803004X5V102P	3	—	—	—	—	250	25	1000 pF	—	—	—	15	25	35	40
† 54794002X5V102P	4	—	—	—	—	250	25	1000 pF	—	—	—	15	25	35	40
† 54-786-077	5	—	—	—	—	750	10	1000pF	—	4	—	20	25	35	40

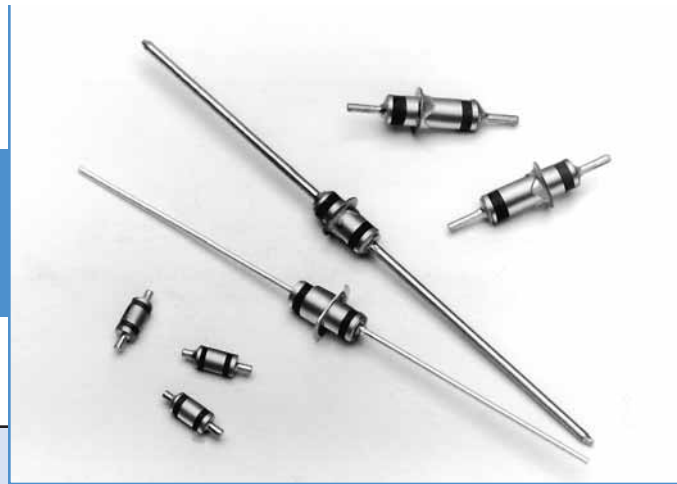
† Also available through Spectrum Control's authorized distributors.

* Tolerances are +100/-0% unless noted.

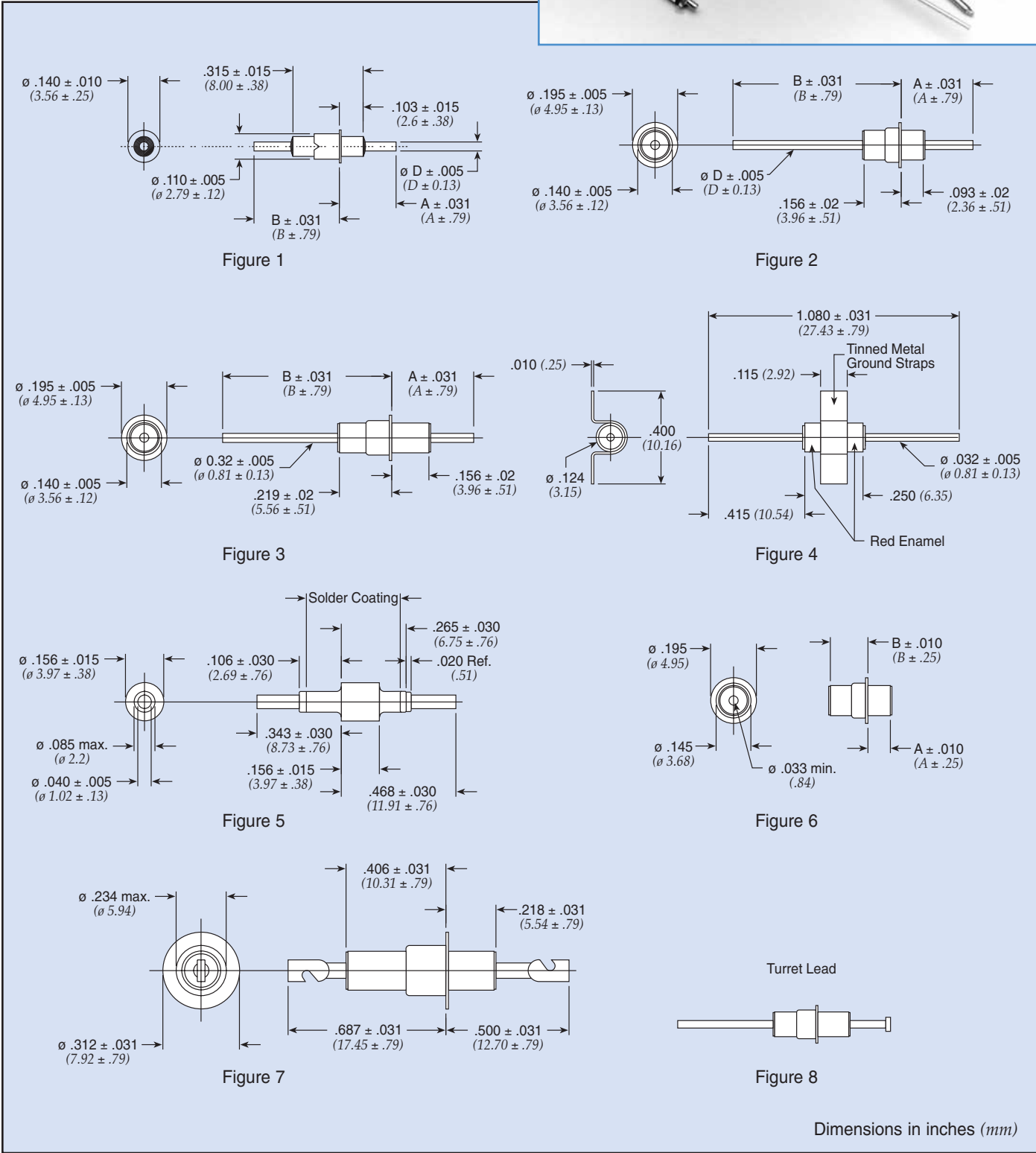
Low Pass Filters



Solder-in Filters



Solder-in Pi Circuit



Low Pass Filters



Solder-in Filters

Solder-in Pi Circuit

Part Number	M15733 MIL Number	See Pg. 66 for Fig.	A		B		D		Rated Voltage 125°C		I Amp	Min Cap	Minimum Insertion Loss (dB)						
			In	(mm)	In	(mm)	In	(mm)	DC	AC			1 MHz	10 MHz	30 MHz	100 MHz	300 MHz	1 GHz	10 GHz
51-703-013*	/62-0003	3	0.312	(7.92)	0.469	(11.91)	0.032	(0.81)	70	—	10	1500 pF	—	5	12	50	50	65	65
51-750-309*	/62-0004	2	0.268	(6.81)	0.780	(19.81)	0.032	(0.81)	70	—	10	0.012 µF	5	22	50	70	70	65	65
† 1234-000* €	—	2	0.257	(6.53)	0.780	(19.81)	0.032	(0.81)	70	—	10	0.012 µF	5	25	50	70	70	70	70
51-749-304	—	4	—	—	—	—	—	—	70	—	10	0.012 µF	5	25	50	70	70	65	65
1234-001	—	4	—	—	—	—	—	—	70	—	10	0.012 µF	5	25	50	70	70	65	65
† 51-750-301*	—	2	0.250	(6.35)	0.780	(19.81)	0.032	(0.81)	70	—	10	0.012 µF	5	25	50	70	70	70	70
† 1233-000* €	—	3	0.312	(7.92)	0.780	(19.81)	0.032	(0.81)	70	—	10	0.022 µF	7	35	60	70	70	70	70
† 51-750-302*	—	3	0.312	(7.92)	0.780	(19.81)	0.032	(0.81)	70	—	10	0.022 µF	7	25	60	70	70	70	70
51-750-313	/51-0002	3	0.312	(7.92)	0.780	(19.81)	0.032	(0.81)	70	—	10	0.022 µF	7	25	60	70	70	70	70
† 51-723-303	—	5	—	—	—	—	—	—	200	—	10	1300 pF	—	5	15	30	45	55	55
51-713-010	/62-0002	1	1.140	(28.96)	1.277	(32.44)	0.032	(0.81)	200	—	10	1500 pF	—	5	12	45	50	70	70
† 1251-001 €	—	1	1.109	(28.17)	1.206	(30.63)	0.032	(0.81)	200	—	10	1500 pF	—	5	15	40	50	70	70
51-703-001*	—	3	0.312	(7.92)	0.406	(10.31)	0.032	(0.81)	200	—	10	1500 pF	—	8	17	45	65	70	70
† 1203-050 €	—	3	0.312	(7.92)	0.406	(10.31)	0.032	(0.81)	200	—	10	1500 pF	—	5	15	45	50	70	70
51-703-012*	/62-0001	3	0.312	(7.92)	0.406	(10.31)	0.032	(0.81)	200	140	10	1500 pF	—	3	15	45	50	70	70
51-713-002	—	1	1.103	(28.01)	1.212	(30.78)	0.032	(0.81)	200	—	10	1500 pF	—	5	12	40	70	70	70
1214-029	—	2	0.288	(7.31)	0.780	(19.81)	0.032	(0.81)	200	—	10	1750 pF	—	5	15	50	60	60	70
† 1214-007 €	—	6	0.093	(2.36)	0.157	(3.99)	—	—	200	—	10	1750 pF	—	5	15	35	50	60	60
51-707-002*	—	2	0.288	(7.31)	0.780	(19.81)	0.032	(0.81)	200	—	10	1750 pF	—	8	17	50	65	70	70
† 1214-001*	—	2	0.288	(7.31)	0.780	(19.81)	0.032	(0.81)	200	—	10	1750 pF	—	5	15	50	50	60	60
† 51-707-006*	/33-0001	2	0.288	(7.31)	0.780	(19.81)	0.032	(0.81)	200	90	10	1750 pF	—	5	15	50	50	60	60
51-707-007	/33-0002	2	0.288	(7.31)	0.780	(19.81)	0.032	(0.81)	200	90	10	1750 pF	—	5	15	50	50	60	60
51-707-026	/66-0001	6	0.288	(7.31)	0.157	(3.99)	—	—	200	—	10	1750 pF	—	5	15	35	50	50	50
† 51-750-322	—	2	1.123	(28.52)	1.347	(34.21)	0.040	(1.02)	200	—	10	3000 pF	—	7	25	50	65	65	65
51-703-007*	/51-0001	3	0.312	(7.92)	0.406	(10.31)	0.032	(0.81)	200	200	10	5500 pF	—	15	30	55	65	70	70
1223-012	—	1	0.240	(6.10)	0.360	(9.14)	0.040	(1.02)	200	—	15	3000 pF	—	7	25	50	65	65	65
† 1204-050 €	—	7	0.210	(5.34)	—	—	—	—	500	—	25	3000 pF	—	8	25	50	65	70	70
51-704-002	/40-0001	7	0.234	(5.94)	—	—	—	—	500	350	25	3000 pF	—	7	25	55	65	70	70

* Denotes parts with turret on one end per Figure 8.
 † Also available through Spectrum Control's authorized distributors.
 € Also available through Spectrum Control's authorized European distributors/agents.

Low Pass Filters



Miniature Solder-in Filters

These filters are ideal for microwave applications such as attenuators and oscillators, and perform well in high impedance circuits where large capacitance values are not practical.

Features

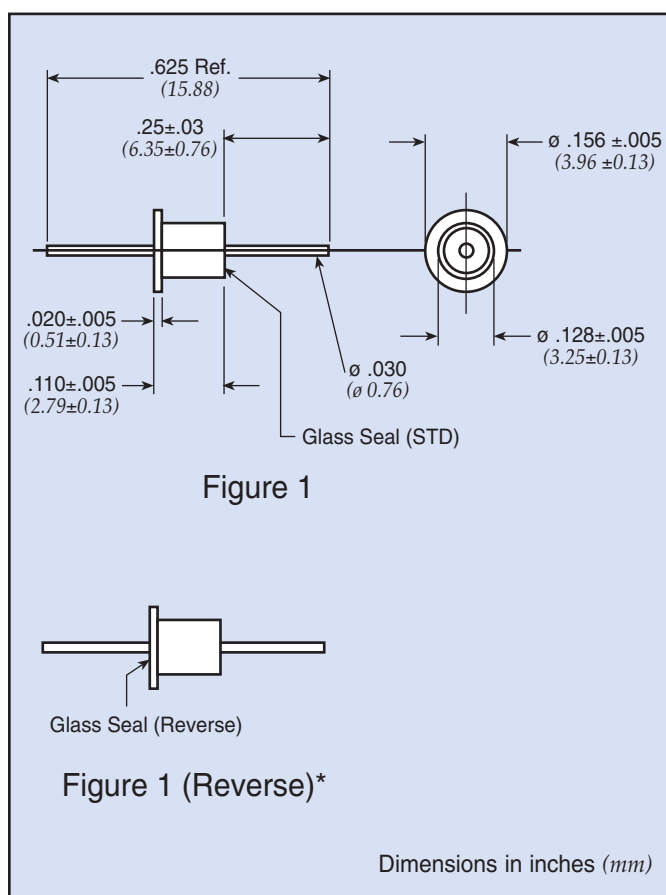
- Miniature size to allow effective use of space
- Standard capacitance values from 5pF to .030μF
- Voltage ratings to 200 VDC/115 VAC 0–400 Hz
- Hermetically sealed on one end allows for thru-hole sealing between compartments
- High temperature construction meets MIL-F-28861 solderability and resistance to soldering heat requirements
- Available in MIL-C-11015 versions — see page 239
- Gold plating compatible with gold bonding techniques

Marking

Color dot standard as follows:

- 101 Green – 100pF
- 272 Red – 2700pF
- 501 Brown – 500pF
- 502 Blue – 5000pF
- 102 Purple – 1000pF
- 153 Pink – 15000pF
- 122 White – 1200pF
- 000 None – 10pF max

Low Pass Filters



Miniature Solder-in C Circuit

Part Number*	Figure	Rated Voltage 125°C		I Amp	Min Cap	Minimum Insertion Loss (dB)						
		DC	AC			1 MHz	10 MHz	30 MHz	100 MHz	300 MHz	1 GHz	10 GHz
SCI-9900-153	1	50		5	0.015 μF	7	25	30	40	40	60	60
SCI-9900-303	1	50		5	0.030 μF	10	30	35	45	50	55	55
†SCI-9910-272	1	100		5	2700 pF	—	10	18	25	33	40	50
†SCI-9910-502	1	100		5	5000 pF	—	15	20	30	35	45	55
SCI-9900-000	1	200		5	4 pF max.	—	—	—	—	—	10	10
†SCI-9920-101	1	200	115	5	100 pF	—	—	—	3	10	20	28
†SCI-9920-501	1	200	115	5	500 pF	—	—	—	15	22	35	40
†SCI-9920-122	1	200	115	5	1200 pF	—	5	10	20	28	35	45

* For reverse glass seal add an "R" to the end of the part number (SCI-9900-153R).

† Also available through Spectrum Control's authorized distributors.



Spec Mini-Press 9900 Series

This new knurled filter is designed to be pressed into place and create a reliable mechanical bond. This feature makes it an excellent selection for applications where soldering is undesirable. Suitable plating is available that allows gold bonding to the terminals.

Applications

These filters are ideal for microwave and RF applications such as attenuators, synthesizers, and oscillators. They perform well in high impedance circuits where large capacitance values are not practical.

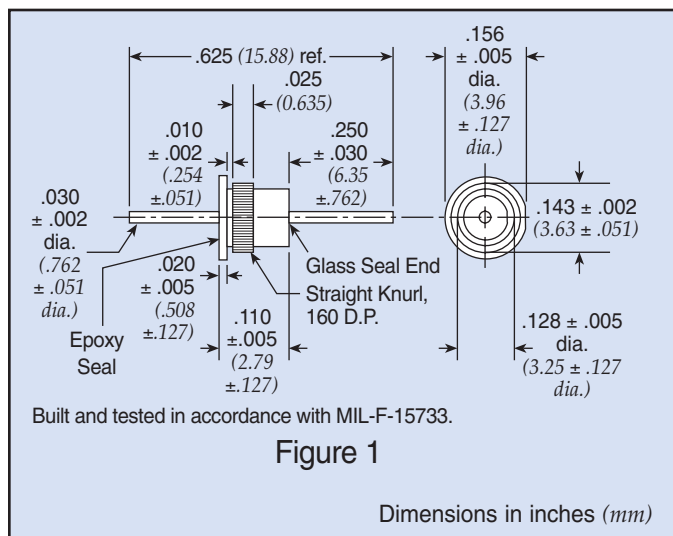
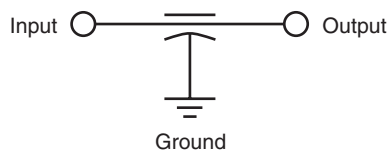
Installation

- .136" to .137" (3.45-3.48mm) diameter hole
- Hole must be free of all insulating materials.
- Installation tool must have a hole of sufficient depth and diameter to accept the terminal of the filter.
- Installation force must be applied gradually and smoothly until the flange of the filter is seated against the receiving part (request installation instructions).

Mechanical Specifications

Installation Press-in
 Plating Gold
 Seal Glass sealed on one end, resin sealed on the other end
 Termination Options Plating suitable for gold bonding
 Operating Temperature -55°C to +125°C

Circuit Schematic



Insertion Tool

Part Number: SCI-9925-200

Part Number	Figure	Rated Voltage 125°C		Cap	Minimum Insertion Loss (dB)						
		DC	I Amp		1 MHz	10 MHz	30 MHz	100 MHz	300 MHz	1 GHz	10 GHz
+SCI-9925-153	1	50	5	0.015 μF +100%/-0%	7	25	30	40	40	60	60
+SCI-9925-303	1	50	5	0.030 μF +100%/-0%	10	30	35	45	50	55	55
+SCI-9925-502	1	100	5	5000 pF +100%/-0%	—	15	20	30	35	45	55
+SCI-9925-000	1	200	5	10 pF max.	—	—	—	—	—	10	10
+SCI-9925-101	1	200	5	100 pF +100%/-0%	—	—	—	3	10	20	28
+SCI-9925-501	1	200	5	500 pF +100%/-0%	—	—	—	15	22	35	40
+SCI-9925-122	1	200	5	1200 pF +100%/-0%	—	5	10	20	28	35	45

+ Also available through Spectrum Control's authorized distributors.



SPECTRUM CONTROL INC.

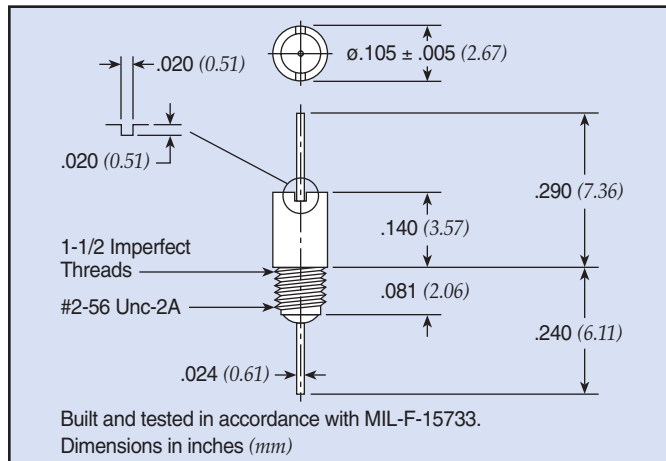
Spec Spin Filters



Spectrum Control Inc. introduces the new space saving #2-56 threaded miniature EMI spanner filter. This new threaded filter is designed without a hex and does not require soldering for installation. These features make it an excellent selection for applications that require many lines to be filtered in close proximity. The easy swap out also allows for flexibility in filter replacement and capacitance substitution. Easy filter substitution also allows for flexibility in filter placement. Custom design queries are always welcome.

Applications

Spectrum Control's spanner filter offers superior insertion loss over a broad frequency range when compared to surface mount components. The filter is available in capacitance values up to 10,000 pF, and is featured in a microcircuit package used in microwave applications such as frequency synthesizers, power amplifiers, MMW radio, and is ideal for commercial and hi-reliability applications.



Low Pass Filters

Electrical Specifications

Operating Temperature -55°C to +125°C
 Voltage Rating 50 VDC
 Current Rating 5 A
 Effective Filtering From 1 MHz to 10 GHz
 Capacitance to 10,000 pF
 Dielectric Withstanding
 Voltage 125 VDC

Mechanical Specifications

Center Spacing0.110"
 Lead Finish Gold
 Bushing Finish Gold
 Tightening Torque 14 oz-in (± 2)
 (0.11Nm)

Insertion Tool

Part Number: 54-874-020



Part Number*	Cap (pF)	Max. Tolerance	Circuit	Current	Voltage	DWV	I.R.	Temperature Range
54-874-010	10	+0%/-20%	C	5 A	50 VDC	125 VDC	1,000 MΩ	-55°C to +125°C
54-874-011	39	+50%/-20%						
54-874-012	100							
54-874-013	390							
54-874-014	1,000							
54-874-015	2,000							
54-874-016	3,300	+100%/-0%						
54-874-017	4,700	+80%/-20%						
54-874-018	10,000							



Resin Sealed Bolt-in Filters

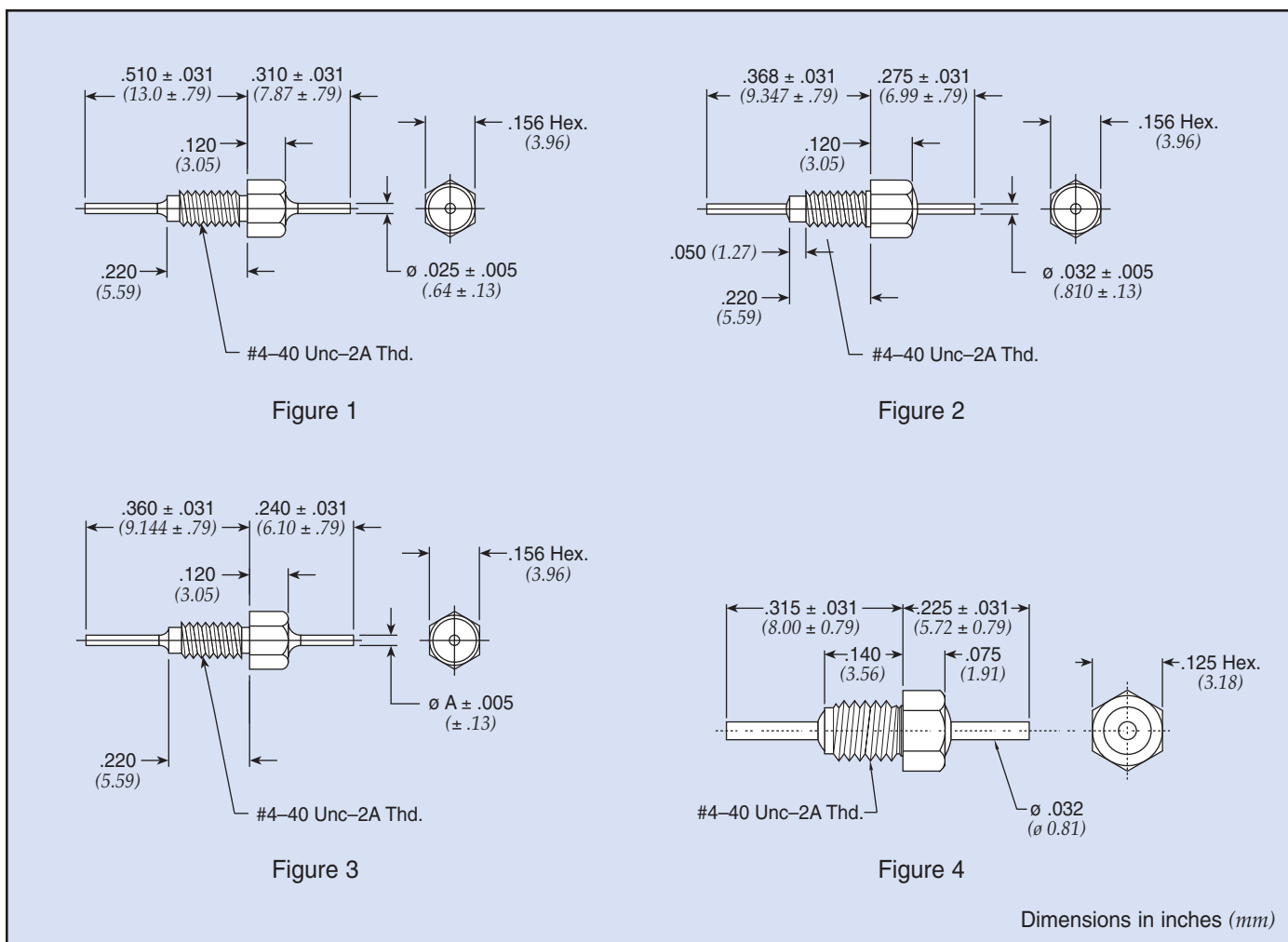
These filters are easily mounted in a tapped hole or thru-hole with supplied nut and lock-washer. The rugged case with resin seals at both ends provides excellent environmental protection. Primarily used in filtering signal/data lines and DC power lines.



Features

- Wide range of sizes: 4-40 thread through 5/16-24 thread
- Voltage ratings to 500 VDC/220 VAC (400 Hz)
- MIL-F-15733 QPL filters available
- Multiple circuit configurations: C, L and Pi
- Metric threaded filters available, consult factory

4-40 C Circuit



Low Pass Filters



Resin Sealed Bolt-in Filters

4-40 C Circuit

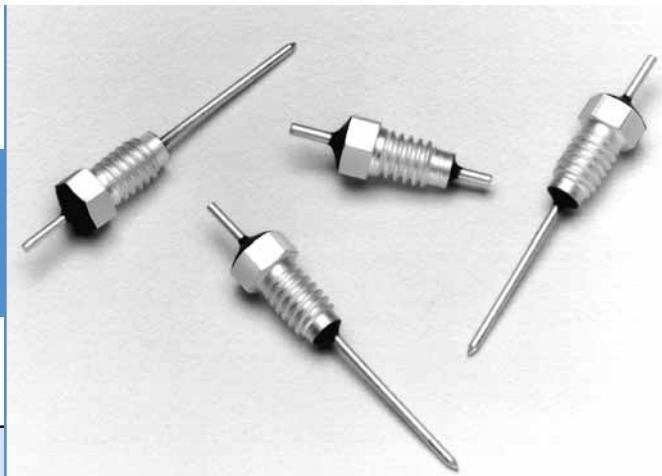
Part Number	See Pg. 71 for Fig.	Rated Voltage 125°C		I Amp	Min Cap	A		Minimum Insertion Loss (dB)									
		DC	AC			In	(mm)	1 MHz	3 MHz	10 MHz	30 MHz	100 MHz	300 MHz	1 GHz	10 GHz		
† SCI-9110-100	3	50	—	10	10 pF	0.032	(0.81)	—	—	—	—	—	—	—	—	10	10
† 9900-381-6004	2	50	—	10	5000 pF	—	—	—	—	15	22	30	35	45	55		
9900-381-6026	2	50	—	10	0.031 µF	—	—	12	20	25	35	40	45	55	60		
† 9900-381-6006	2	50	—	10	0.045 µF	—	—	14	22	30	40	45	50	55	60		
† 54-790-023	1	100	—	10	0.050 µF	—	—	15	24	34	41	45	50	60	60		
† 54790001X5F101M	1	100	—	10	100 pF ± 20%	—	—	—	—	—	—	—	10	20	25		
54-790-019	1	100	—	10	2700 pF	—	—	—	—	9	18	27	33	35	35		
9900-381-6013	2	100	—	10	2700 pF	—	—	—	—	10	18	25	33	40	50		
54-790-020	1	100	—	10	5600 pF	—	—	—	—	15	24	33	37	40	40		
SCI-9112-273	3	100	—	3	0.027 µF	0.016	(0.41)*	10	20	30	37	45	45	55	60		
SCI-9110-273	3	100	—	10	0.027 µF	0.020	(0.51)	10	20	30	37	45	45	55	60		
54-790-022	1	100	—	10	0.027 µF	—	—	10	20	30	37	45	50	55	60		
† SCI-9112-503	3	100	—	3	0.05 µF	0.016	(0.41)*	15	24	35	41	45	50	60	60		
SCI-9110-503	3	100	—	10	0.05 µF	0.020	(0.51)	15	24	35	41	45	50	60	60		
54-862-001	4	200	—	10	10 pF	—	—	—	—	—	—	—	—	10	10		
54-862-002	4	200	—	10	100 pF	—	—	—	—	—	—	3	10	20	28		
54-862-003	4	200	—	10	1000 pF	—	—	—	—	—	—	15	25	35	40		
† 9900-381-6020	2	200	—	10	100 pF	—	—	—	—	—	—	3	10	20	28		
SCI-9122-101	3	200	115	3	100 pF	0.016	(0.41)*	—	—	—	—	—	10	20	20		
SCI-9120-101	3	200	115	10	100 pF	0.020	(0.51)	—	—	—	—	—	10	20	20		
9900-381-6021	2	200	—	10	500 pF	—	—	—	—	—	—	15	20	35	40		
SCI-9122-102	3	200	115	3	1000 pF	0.016	(0.41)*	—	—	—	11	20	28	28	40		
SCI-9120-102	3	200	115	10	1000 pF	0.020	(0.51)	—	—	—	11	20	28	28	40		
† 9900-381-6022	2	200	—	10	1200 pF	—	—	—	—	5	9	20	28	35	45		
SCI-9122-502	3	200	115	3	5000 pF	0.016	(0.41)*	—	—	15	24	33	37	40	50		
SCI-9120-502	3	200	115	10	5000 pF	0.020	(0.51)	—	—	15	24	33	37	40	50		
SCI-9122-103	3	200	115	3	0.01 µF	0.016	(0.41)*	—	12	20	29	38	45	50	55		
SCI-9120-103	3	200	115	10	0.01 µF	0.020	(0.51)	—	12	20	29	38	45	50	55		
9900-381-6005	2	200	—	10	0.015 µF	—	—	7	9	20	29	35	45	50	60		
† 54-790-018	1	300	—	10	1000 pF	—	—	—	—	9	20	28	28	40			
† 54-790-021	1	300	—	10	0.01 µF	—	—	—	9	20	29	38	45	50	50		

* Tinned, steel leads.

† Also available through Spectrum Control's authorized distributors.



Resin Sealed Bolt-in Filters



4-40 L and Pi Circuit

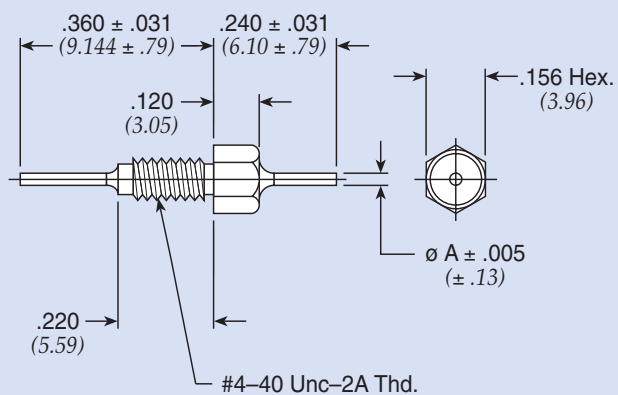


Figure 1

Dimensions in inches (mm)

Low Pass Filters

Part Number	Figure	Rated Voltage 125°C		I Amp	CKT	Min Cap	A		Minimum Insertion Loss (dB)							
		DC	AC				In	(mm)	1 MHz	3 MHz	10 MHz	30 MHz	100 MHz	300 MHz	1 GHz	10 GHz
+ 51-729-305	1	50	—	3	Pi	5500 pF	0.018	(0.46)	—	7	14	40	60	70	70	70
+ 51-729-312	1	50	—	3	Pi	7000 pF	0.018	(0.46)	—	8	15	40	65	70	70	70
SCI-3102-002	1	50	—	3	LB	0.075 µF	0.016	(0.41)*	18	25	37	42	52	55	70	70
SCI-3102-000	1	50	—	5	LB	0.075 µF	0.016	(0.41)	18	25	37	42	52	55	70	70
SCI-3102-007	1	50	—	10	LB	0.075 µF	0.025	(0.64)	18	25	37	42	52	55	70	70
+ 51-729-304	1	100	—	3	LB	0.022 µF	0.018	(0.46)	7	17	27	34	43	47	55	55
+ SCI-3112-002	1	100	—	5	LB	0.027 µF	0.016	(0.41)*	10	20	30	38	45	45	65	70
+ SCI-3112-000	1	100	—	5	LB	0.027 µF	0.016	(0.41)	10	20	30	38	45	45	65	70
SCI-3112-007	1	100	—	10	LB	0.027 µF	0.025	(0.64)	10	20	30	38	45	45	65	70
SCI-3112-102	1	100	—	3	LB	0.05 µF	0.016	(0.41)*	15	24	35	42	54	56	70	70
SCI-3112-100	1	100	—	5	LB	0.05 µF	0.016	(0.41)	15	24	35	42	54	56	70	70
SCI-3112-107	1	100	—	10	LB	0.05 µF	0.025	(0.64)	15	24	35	42	54	56	70	70
+ 51-729-303	1	200	—	3	Pi	1500 pF	0.018	(0.46)	—	—	5	15	42	65	70	70
SCI-3122-002	1	200	115	3	LB	0.01 µF	0.016	(0.41)*	—	12	21	30	41	45	70	70
SCI-3122-000	1	200	115	5	LB	0.01 µF	0.016	(0.41)	—	12	21	30	41	45	70	70
SCI-3122-007	1	200	115	10	LB	0.01 µF	0.025	(0.64)	—	12	21	30	41	45	70	70

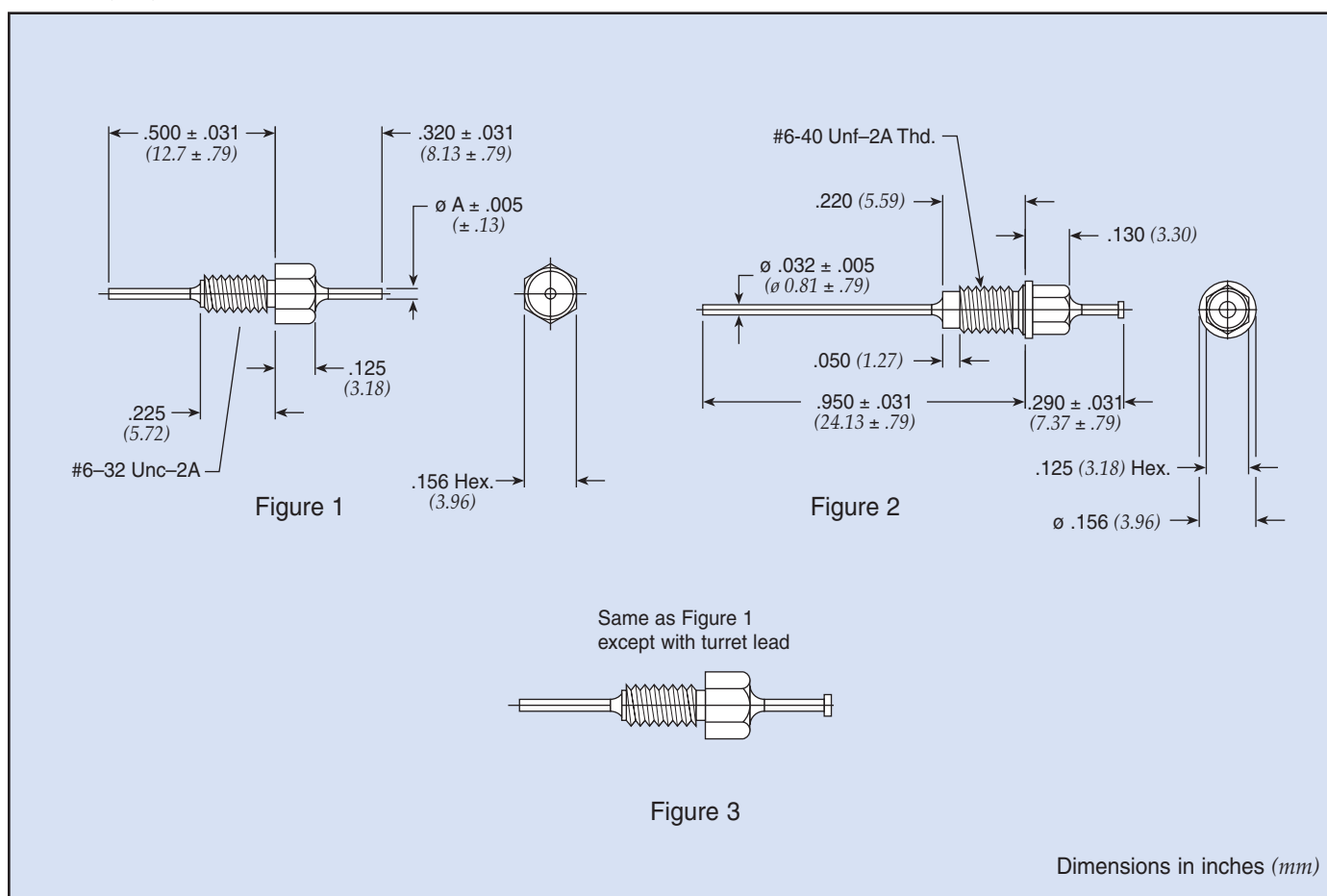
* Tinned, steel leads.

+ Also available through Spectrum Control's authorized distributors.



Resin Sealed Bolt-in Filters

6-32 C, L, Pi/6-40 Pi



Low Pass Filters

Dimensions in inches (mm)

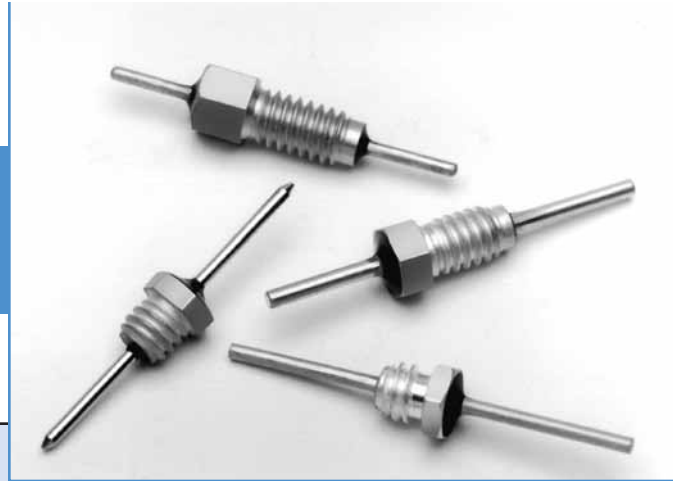
Part Number	Figure	Rated Voltage 125°C		I Amp	CKT	Min Cap	A		Minimum Insertion Loss (dB)							
		DC	AC				In	(mm)	1 MHz	3 MHz	10 MHz	30 MHz	100 MHz	300 MHz	1 GHz	10 GHz
† 51-726-008	1	50	—	3	Pi	5500 pF	0.018	(0.46)	—	7	14	30	55	70	70	70
51-726-017	1	50	—	3	Pi	9000 pF	0.018	(0.46)	—	8	18	45	65	70	70	70
54-779-019	1	50	—	10	C	0.10 µF	0.032	(0.81)	22	31	40	44	47	55	65	65
† 54779001X5F100M	1	100	—	10	C	10 pF ± 20%	0.032	(0.81)	—	—	—	—	—	—	10	10
† 54779001X5U102P €	1	100	—	10	C	1000 pF	0.032	(0.81)	—	—	—	10	21	28	28	28
54-779-014	1	100	—	10	C	2700 pF	0.032	(0.81)	—	—	9	18	27	33	35	35
54-779-016	1	100	—	10	C	0.01 µF	0.032	(0.81)	—	9	20	29	38	45	50	50
† 51-726-002	3	100	—	10	LB	0.022 µF	0.032	(0.81)	7	17	27	34	43	50	60	60
54-779-017	1	100	—	10	C	0.027 µF	0.032	(0.81)	10	20	30	37	45	50	55	60
54-779-018	1	100	—	10	C	0.050 µF	0.032	(0.81)	15	24	34	41	45	50	60	60
† 51-726-001	1	200	—	3	Pi	1500 pF	0.018	(0.46)	—	—	5	15	42	65	70	70
† 1289-001	2	200	—	10	Pi	1500 pF	0.032	(0.81)	—	—	5	15	40	60	60	60
† 1289-004	2	200	—	10	Pi	3000 pF	0.032	(0.81)	—	—	8	15	50	65	70	70
54-779-015	1	200	—	10	C	5600 pF	0.032	(0.81)	—	—	15	24	33	37	40	40

† Also available through Spectrum Control's authorized distributors.

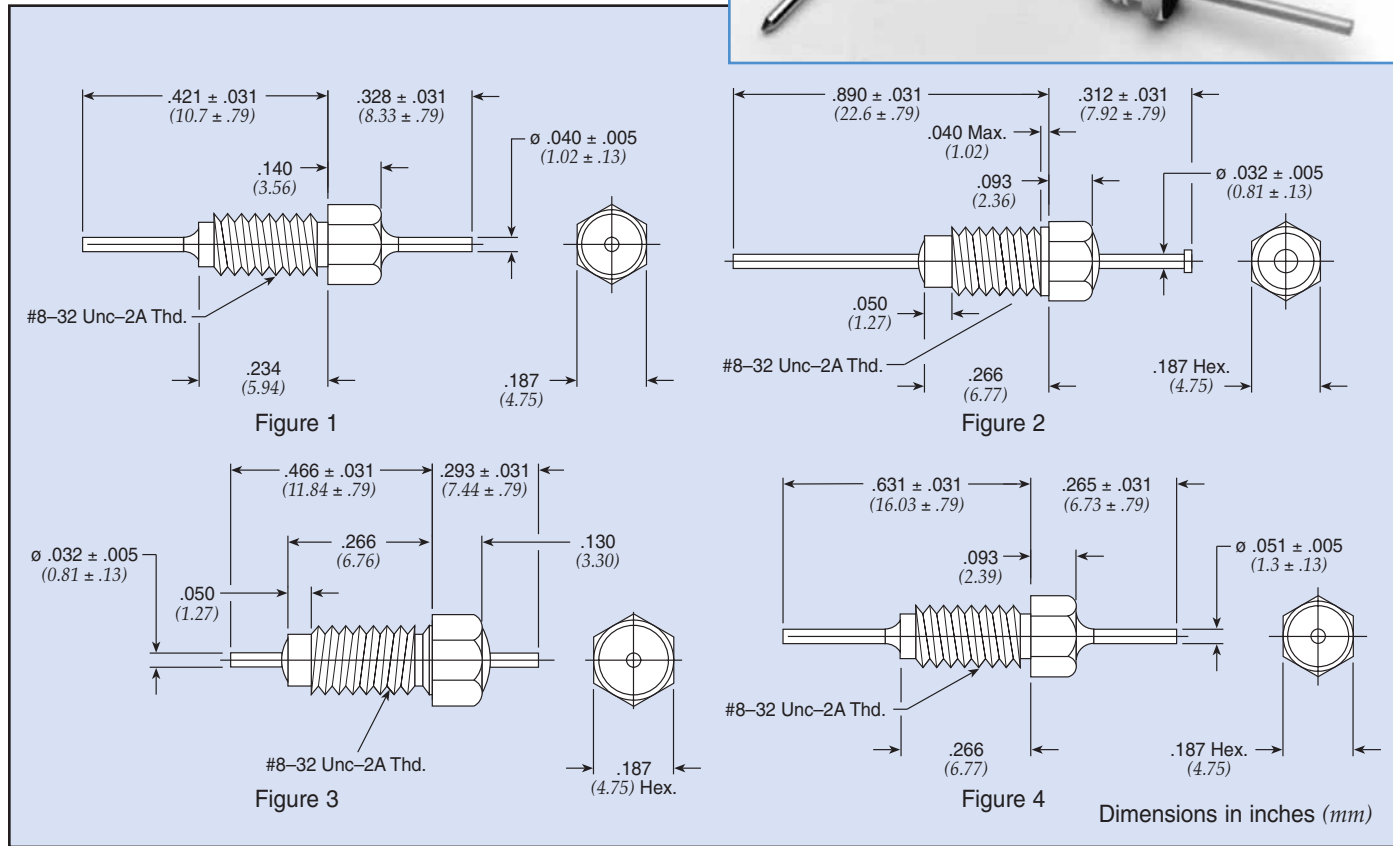
€ Also available through Spectrum Control's authorized European distributors/agents.



Resin Sealed Bolt-in Filters



8-32 C Circuit



Low Pass Filters

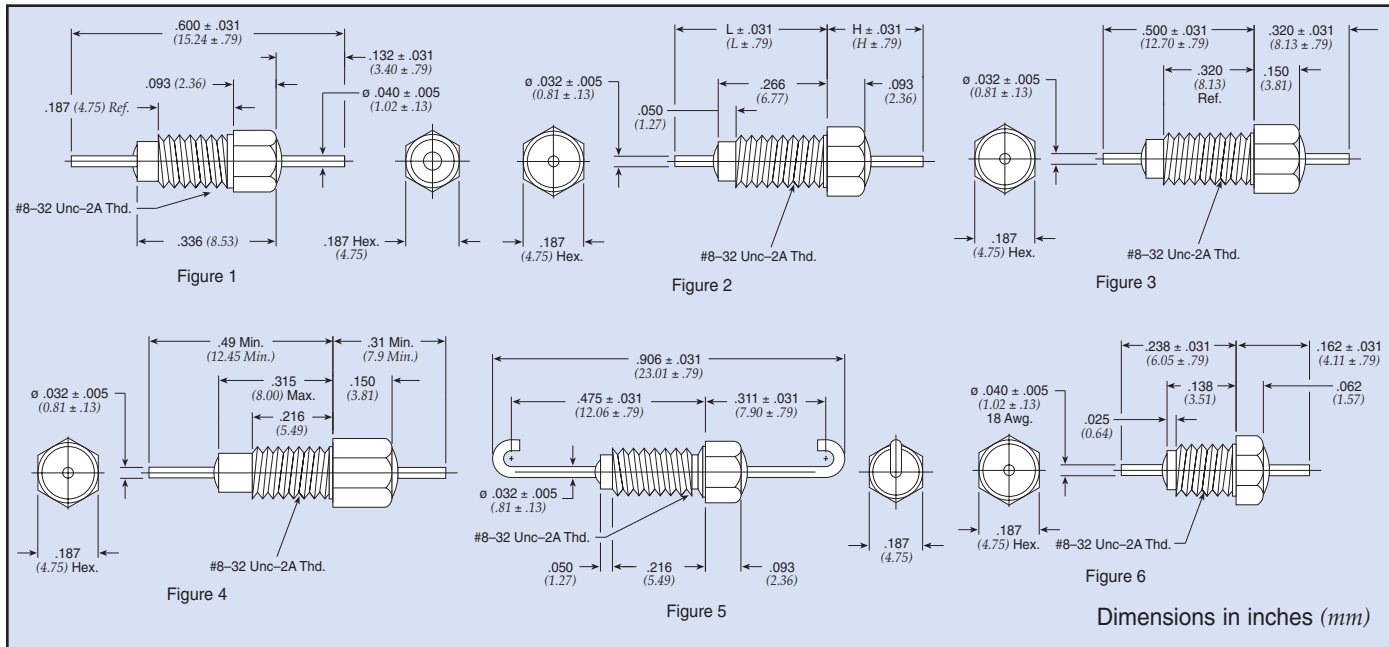
Part Number	Figure	Rated Voltage 125°C		I Amp	Min Cap	Minimum Insertion Loss (dB)							
		DC	AC			1 MHz	3 MHz	10 MHz	30 MHz	100 MHz	300 MHz	1 GHz	10 GHz
SCI-9200-503	2	50	—	10	0.05 μ F	15	24	35	41	45	50	60	60
9950-381-6009	3	50	—	10	0.12 μ F	20	30	43	45	55	55	55	55
54-785-017	1	50	—	10	0.21 μ F	28	37	45	50	55	60	70	70
9950-381-6008	3	70	—	10	0.08 μ F	15	24	37	41	51	51	55	55
† 54713001X5F101M	4	100	—	10	80 pF	—	—	—	—	10	20	20	20
† 54713001X5U102P	4	100	—	10	1000 pF	—	—	—	11	20	28	28	28
54-785-013	1	100	—	10	0.01 μ F	—	9	20	29	38	45	50	55
SCI-9210-103	2	100	—	10	0.01 μ F	—	12	20	29	38	45	50	50
SCI-9210-273	2	100	—	10	0.027 μ F	10	20	30	36	45	50	55	60
† 54-785-005	1	100	—	10	0.05 μ F	15	24	34	41	45	50	60	60
54-785-016	1	100	—	10	0.1 μ F	20	29	38	44	47	55	65	65
54-785-011	1	150	—	10	2000 pF	—	—	8	17	26	32	34	35
54-785-012	1	150	—	10	5000 pF	—	6	15	24	33	37	40	40
SCI-9220-101	2	200	115	10	100 pF	—	—	—	—	10	20	25	25
SCI-9220-102	2	200	115	10	1000 pF	—	—	—	11	20	28	28	28
SCI-9220-502	2	200	115	10	5000 pF	—	6	15	24	33	37	40	40

† Also available through Spectrum Control's authorized distributors.



Resin Sealed Bolt-in Filters

8-32 L & Pi Circuit



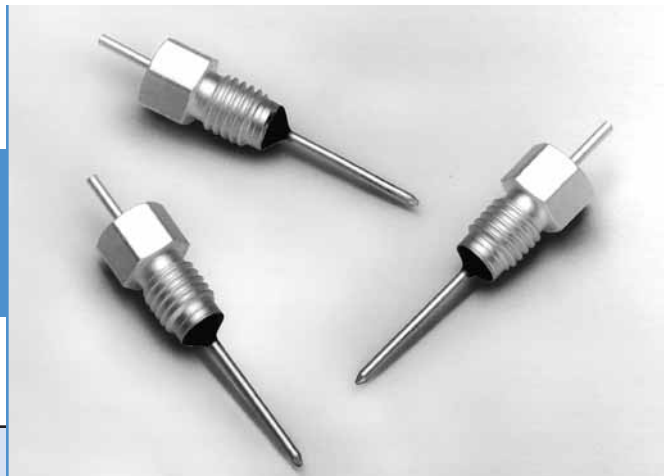
Low Pass Filters

Part Number	M15733 MIL Number	Fig.	Rated Voltage 125°C		I Amp	CKT	Min Cap	H In (mm)	L In (mm)	Minimum Insertion Loss (dB)							
			DC	AC						1 MHz	3 MHz	10 MHz	30 MHz	100 MHz	300 MHz	1 GHz	10 GHz
51-712-069 €	—	2	50	—	10	Pi	0.012 µF	0.265 (6.73)	0.413 (10.49)	5	9	18	45	65	70	70	70
+ 51-712-065	/61-0014	4	50	—	20	Pi	0.012 µF	0.310 (7.87)	0.490 (12.45)	—	10	20	30	65	70	70	70
+ 1250-054	—	2	70	—	10	Pi	5000 pF	0.312 (7.92)	0.500 (12.70)	—	—	20	30	65	65	70	70
+ 1293-001	—	3	70	—	10	Pi	0.028 µF	—	—	10	14	38	65	75	75	75	75
51-712-055	/43-0002	2	100	70	10	Pi	3000 pF	0.312 (7.92)	0.578 (14.68)	—	—	5	15	45	50	50	50
+ 51-712-014	/28-0001	2	100	70	10	Pi	3000 pF	0.312 (7.92)	0.890 (22.61)	—	—	5	15	45	60	60	60
51-712-028	/28-0002	5	100	70	10	Pi	3000 pF	—	—	—	—	5	15	45	60	60	60
+ 51-712-063*	/61-0008	2	100	70	10	Pi	5500 pF	0.312 (7.92)	0.500 (12.70)	—	—	15	35	65	70	70	70
+ 51-712-003 ◊	—	2	100	—	10	LB	0.022 µF	0.280 (7.11)	0.850 (21.59)	7	17	27	34	43	50	60	60
51-712-060 ◊	/28-0004	2	100	70	10	LB	0.022 µF	0.312 (7.92)	0.890 (22.61)	10	17	28	34	41	50	60	60
+ 51-712-067	/61-0013	2	100	—	10	LB	0.031 µF	0.280 (7.11)	0.890 (22.61)	10	20	30	38	42	52	60	60
51-762-006	/44-0003	6	125	85	15	Pi	65 pF	—	—	—	—	—	—	—	—	16	42
+ 1250-059	—	6	125	—	15	Pi	1500 pF	—	—	—	—	5	15	35	45	60	60
+ 51-762-005	/44-0002	6	125	85	15	Pi	1500 pF	—	—	—	—	5	15	25	35	50	50
1250-062	—	1	125	—	15	Pi	3000 pF	—	—	—	—	5	15	45	45	70	70
+ 51-744-003*	/44-0001	1	125	85	15	Pi	3000 pF	—	—	—	—	10	15	30	40	65	65
+ SCI-3223-000	—	2	200	115	10	Pi	2000 pF	0.312 (7.92)	0.890 (22.61)	—	—	8	10	48	50	70	70
+ 1250-003 €	—	2	200	—	10	Pi	3000 pF	0.312 (7.92)	0.890 (22.61)	—	—	5	15	45	65	70	70
+ 51-712-001*	—	2	200	—	10	Pi	3000 pF	0.312 (7.92)	0.890 (22.61)	—	—	5	15	45	65	70	70
1250-049	—	2	200	—	10	Pi	3000 pF	0.312 (7.92)	0.578 (14.68)	—	—	5	15	45	65	65	60
+ 51-744-002 ◊	—	2	200	—	10	Pi	5500 pF	0.265 (6.73)	0.413 (10.49)	—	7	14	30	55	70	70	70
+ 1293-000	—	3	200	—	10	Pi	0.012 µF	—	—	5	10	28	40	65	70	70	70

† Also available through Spectrum Control's authorized distributors. ◊ Supplied with .040" (1.02mm) diameter lead.
 € Also available through Spectrum Control's authorized European distributors/agents.
 * Denotes parts with turret lead.



Resin Sealed Bolt-in Filters



10-32 C & Pi Circuit

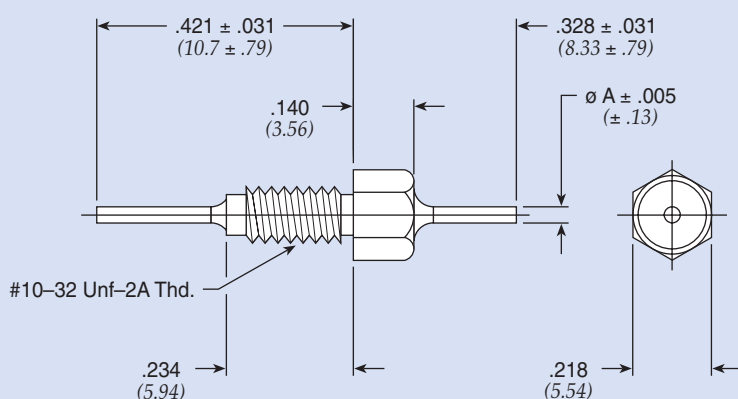


Figure 1

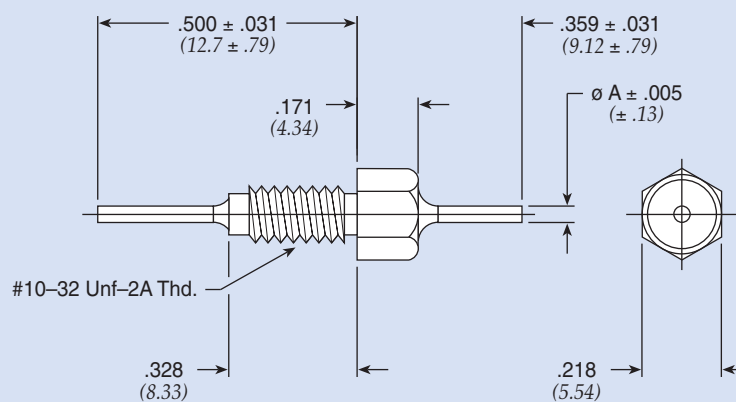


Figure 2

Dimensions in inches (mm)

Part Number	Figure	Rated Voltage 125°C		I Amp	CKT	Min Cap	A		Minimum Insertion Loss (dB)							
		DC	AC				In	(mm)	1 MHz	3 MHz	10 MHz	30 MHz	100 MHz	300 MHz	1 GHz	10 GHz
51-761-002	1	50	—	10	Pi	0.018 µF	0.032	(0.81)	7	14	30	55	70	70	70	70
† 54-786-013	1	50	—	10	C	0.3 µF	0.040	(1.02)	30	38	47	50	55	60	70	70
54-786-028	1	50	—	10	C	0.56 µF	0.040	(1.02)	35	43	50	52	60	65	70	70
† 54-786-014	2	50	—	10	C	0.8 µF	0.040	(1.02)	40	46	52	54	70	70	70	70
51-761-001	1	100	—	10	Pi	0.01 µF	0.032	(0.81)	—	10	20	45	65	70	70	70
54-786-027	1	200	—	10	C	0.1 µF	0.040	(1.02)	20	29	38	44	47	55	65	65

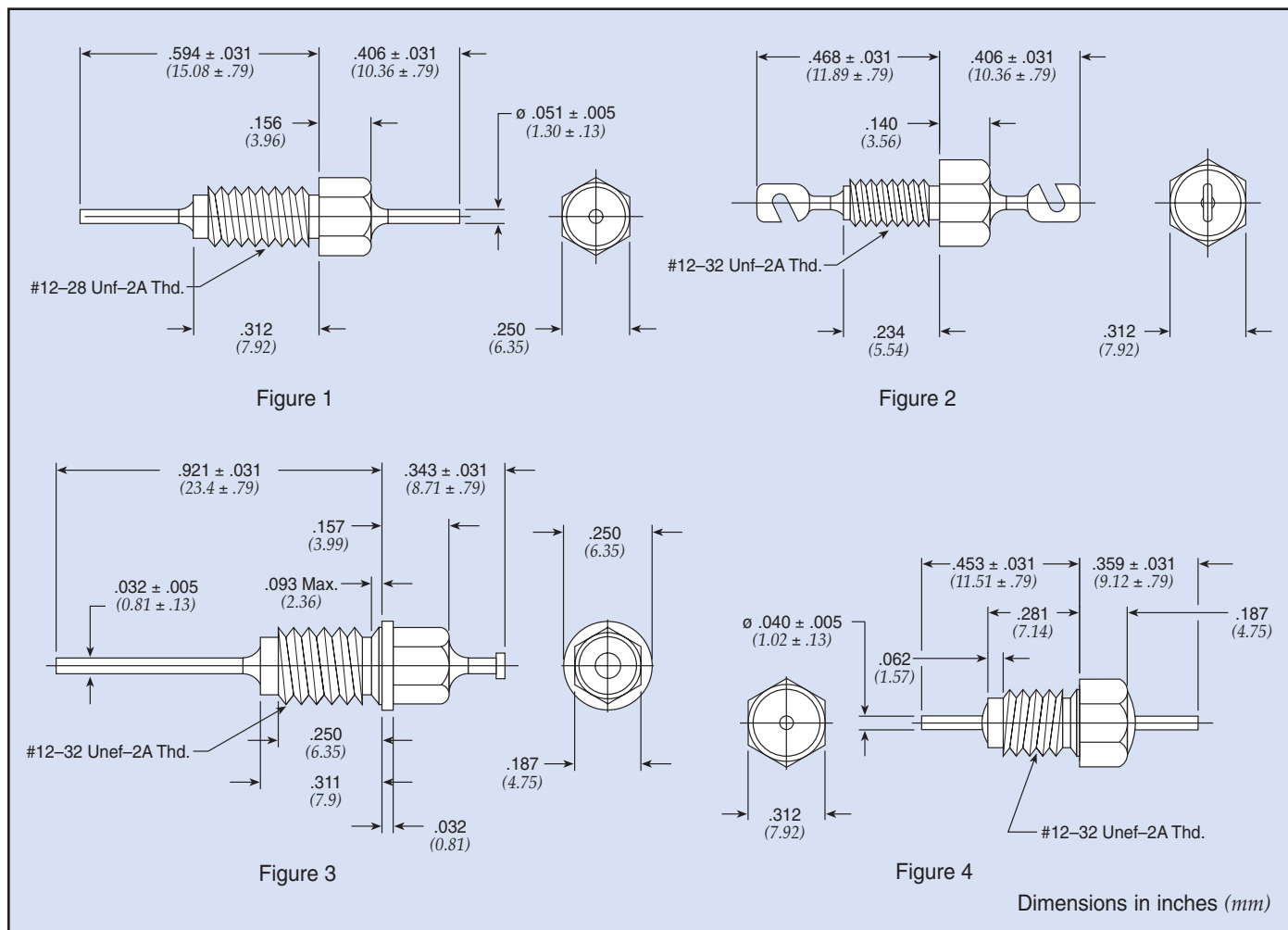
† Also available through Spectrum Control's authorized distributors.

Low Pass Filters



Resin Sealed Bolt-in Filters

12-28 C /12-32 C Circuit



Low Pass Filters

Part Number	Figure	Rated Voltage 125°C		I Amp	CKT	Min Cap	Minimum Insertion Loss (dB)							
		DC	AC				1 MHz	3 MHz	10 MHz	30 MHz	100 MHz	300 MHz	1 GHz	10 GHz
9910-381-6004	4	35	—	15	C	1 μ F	38	40	52	52	70	70	78	80
9910-381-6003	4	50	—	15	C	0.75 μ F	35	37	51	51	61	61	65	70
SCI-9310-273	3	100	—	10	C	0.027 μ F	10	20	30	37	45	50	55	60
9910-381-6002	4	100	—	15	C	0.30 μ F	28	30	45	50	55	55	60	65
54804002X5R101M	2	250	—	10	C	100 pF ± 20%	—	—	—	—	10	20	25	—
† 54804002X5R471M	2	250	—	10	C	470 pF ± 20%	—	—	—	—	12	22	25	28
† 54804002X5V102P	2	250	—	10	C	1000 pF	—	—	—	10	21	28	28	28
54743001X5U102Z	1	250	—	15	C	1000 pF	—	—	—	—	20	28	28	28

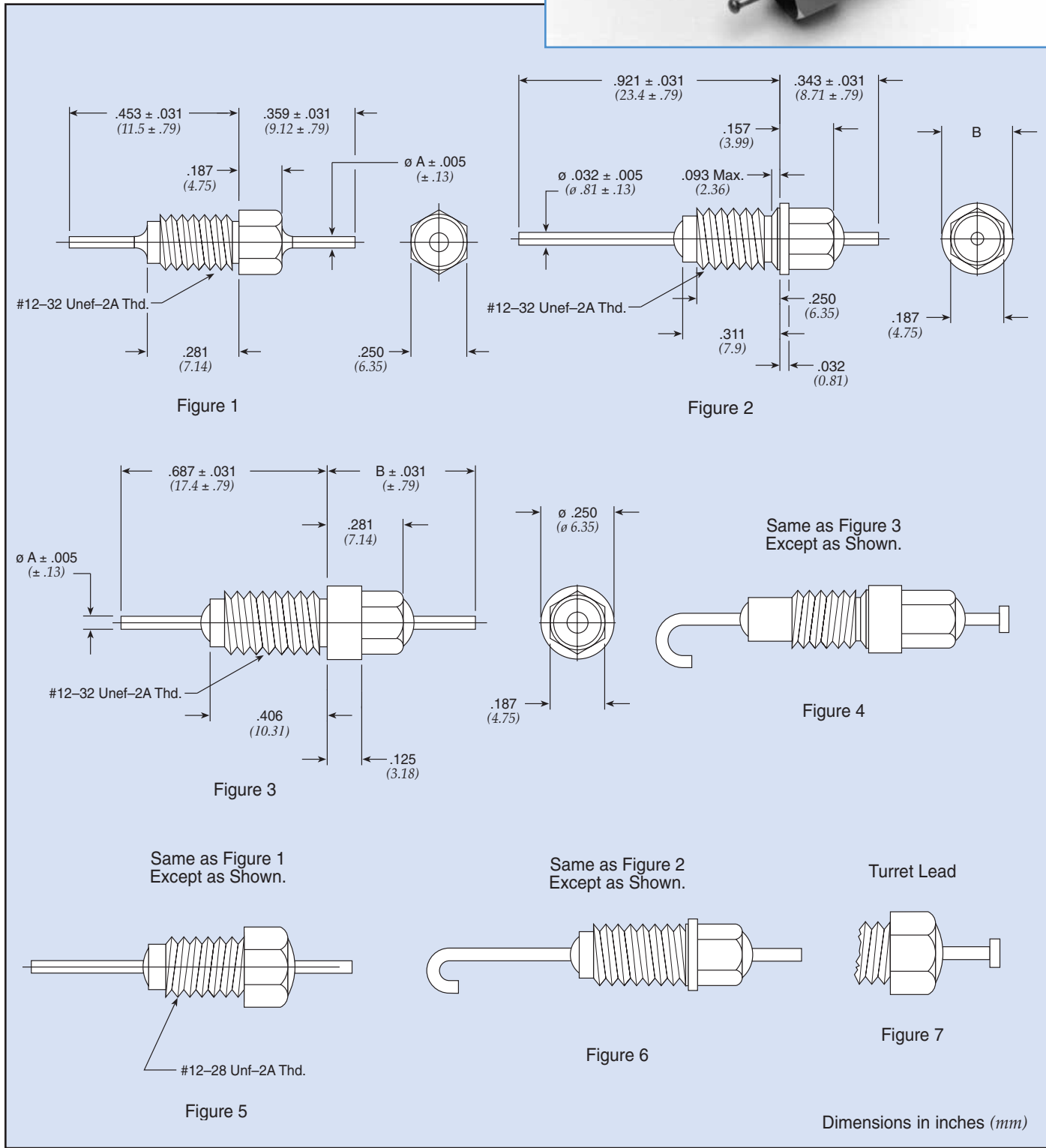
† Also available through Spectrum Control's authorized distributors.



Resin Sealed Bolt-in Filters



12-28 & 12-32 Pi Circuit



Low Pass Filters



Resin Sealed Bolt-in Filters

12-28 & 12-32 Pi Circuit

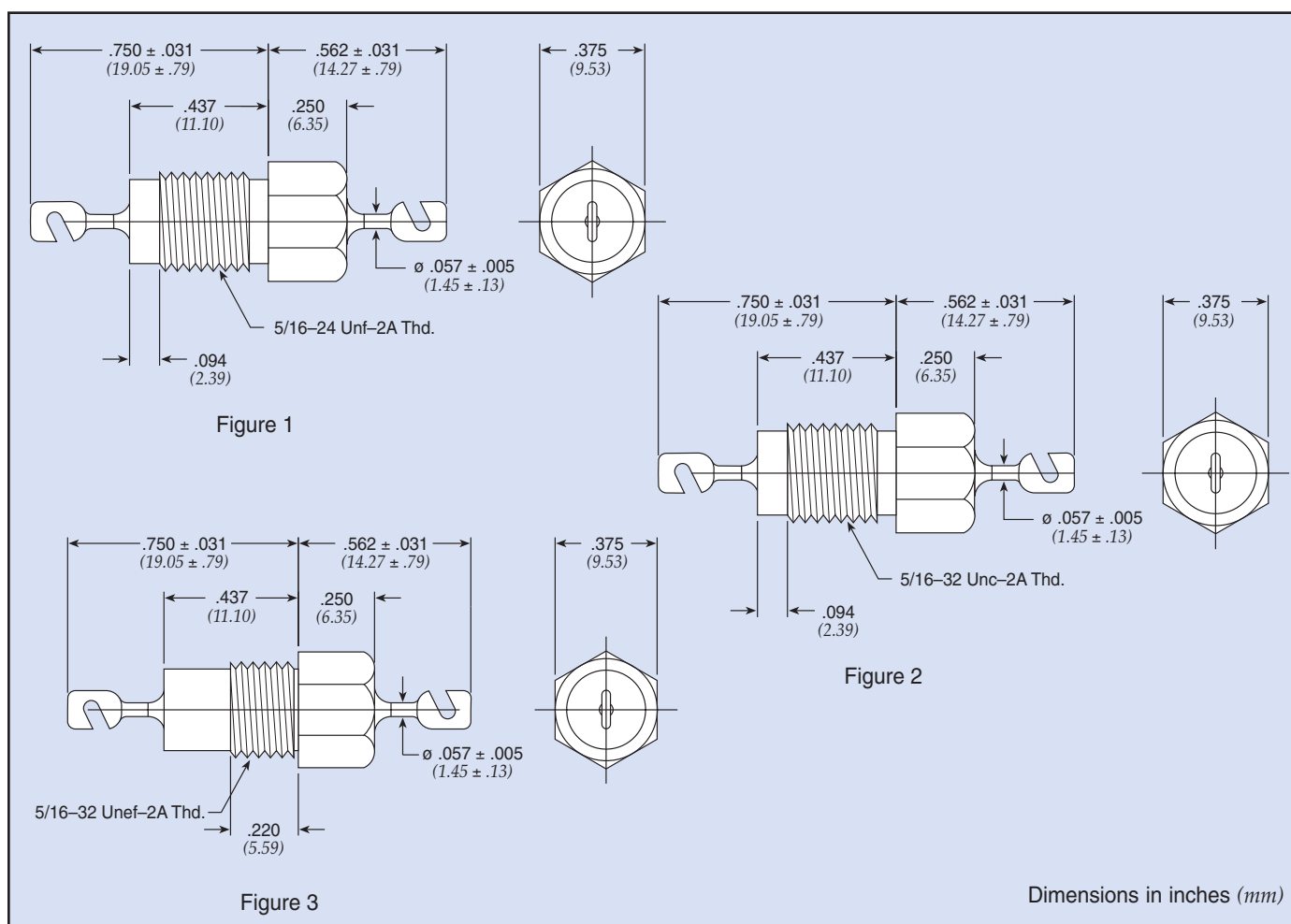
Part Number	M15733 MIL Number	See Pg. 79 for Fig.	Rated Voltage 125°C		I Amp	Min Cap	A		B		Minimum Insertion Loss (dB)							
			DC	AC			In	(mm)	In	(mm)	1 MHz	3 MHz	10 MHz	30 MHz	100 MHz	300 MHz	1 GHz	10 GHz
51-709-013	—	3	50	—	10	0.1 µF	0.040	(1.02)	0.437	(11.10)	10	40	52	70	70	70	70	70
SCI-3303-000*	—	2	50	—	10	0.15 µF	0.032	(0.81)	0.250	(6.35)	12	43	68	70	70	70	70	70
51-709-015	/61-0009	3	70	—	10	0.012 µF	0.032	(0.81)	0.470	(11.94)	—	—	—	—	65	65	65	65
† 1216-001	—	3	70	—	10	0.050 µF	0.032	(0.81)	0.468	(11.89)	15	20	60	65	75	75	75	75
† 1270-016*	—	2	100	—	10	5500 pF	0.032	(0.81)	0.250	(6.35)	—	7	20	35	65	70	70	70
† 1270-025	—	2	100	—	10	5500 pF	0.032	(0.81)	0.235	(5.97)	—	7	20	35	65	70	70	70
† 1201-066	—	1	100	—	10	5500 pF	0.032	(0.81)	—	—	—	7	20	40	68	70	70	70
51-714-055*	/61-0011	2	100	—	10	5500 pF	0.032	(0.81)	0.235	(5.97)	—	7	20	—	65	70	70	70
51-714-054*	/61-0010	2	100	—	10	5500 pF	0.032	(0.81)	0.250	(6.35)	—	7	20	—	65	70	70	70
51-714-053*	/61-0007	2	100	70	10	5500 pF	0.032	(0.81)	0.250	(6.35)	—	7	—	—	65	70	70	70
51-714-058*	—	2	100	—	10	0.025 µF	0.032	(0.81)	0.250	(6.35)	10	15	40	60	70	70	70	70
51-714-056	/61-0012	6	100	—	10	0.025 µF	0.032	(0.81)	0.235	(5.97)	—	—	—	—	65	65	65	65
† SCI-3313-000*	—	2	100	—	10	0.10 µF	0.032	(0.81)	0.250	(6.35)	10	40	65	70	70	70	70	70
51-719-022	—	1	200	—	10	1300 pF	0.040	(1.02)	—	—	—	—	5	10	35	60	70	70
† 1201-052	—	5	200	—	10	3000 pF	0.032	(0.81)	—	—	—	—	5	15	45	45	70	70
† 1201-054	—	1	200	—	10	3000 pF	0.032	(0.81)	—	—	—	—	5	15	45	45	70	70
51-714-001*	—	2	200	—	10	3000 pF	0.032	(0.81)	0.250	(6.35)	—	—	5	15	43	60	70	70
† 1270-024	—	2	200	—	10	3000 pF	0.032	(0.81)	0.235	(5.97)	—	—	5	15	45	45	70	70
51-714-003*	—	2	200	—	10	3000 pF	0.032	(0.81)	0.235	(5.97)	—	—	5	15	43	60	70	70
† 1270-009	—	2	200	—	10	3000 pF	0.032	(0.81)	0.250	(6.35)	—	—	5	15	45	45	70	70
51-719-053**	/61-0001	5	200	140	10	3000 pF	0.032	(0.81)	—	—	—	—	—	—	45	—	70	70
51-719-054*	/61-0002	1	200	140	10	1500 pF	0.032	(0.81)	—	—	—	—	—	—	45	45	70	70
51-714-051*	/61-0005	2	200	140	10	1500 pF	0.032	(0.81)	0.250	(6.35)	—	—	—	—	45	45	70	70
51-719-023*	/43-0001	5	200	140	10	3000 pF	0.032	(0.81)	—	—	—	—	—	—	45	45	45	45
51-714-052*	/61-0006	2	200	140	10	3000 pF	0.032	(0.81)	0.235	(5.97)	—	—	—	—	45	45	70	70
51-714-004*	—	2	200	—	10	5500 pF	0.032	(0.81)	0.235	(5.97)	—	7	14	35	60	70	70	70
† 51-719-021	—	1	200	—	10	5500 pF	0.040	(1.02)	—	—	—	7	14	30	50	65	65	65
€ 51-714-002*	—	2	200	—	10	5500 pF	0.032	(0.81)	0.250	(6.35)	—	7	14	35	60	70	70	70
† SCI-3323-000*	—	2	200	115	10	0.012 µF	0.032	(0.81)	0.250	(6.35)	—	—	27	30	70	70	70	70
† 1221-001	—	4	300	—	10	5500 pF	0.032	(0.81)	0.437	(11.10)	—	—	15	30	65	70	70	70
† 51-709-004	/46-0001	4	300	—	10	5500 pF	0.032	(0.81)	0.437	(11.10)	—	—	—	—	65	70	70	70
1201-086	—	1	350	—	10	2500 pF	0.040	(1.02)	—	—	—	—	5	10	50	50	65	65
† 51-719-011 €	—	1	500	—	10	3000 pF	0.040	(1.02)	—	—	—	—	12	20	45	60	60	60

† Also available through Spectrum Control's authorized distributors.
 € Also available through Spectrum Control's authorized European distributors/agents.
 * Denotes parts supplied with lead as shown in Figure 7.
 **Bushing housing will have 1 1/2 imperfect threads at hex to thread interface.



Resin Sealed Bolt-in Filters

5/16-24 & 5/16-32 C & Pi Circuit



Low Pass Filters

Part Number	M15733 MIL Number	Fig.	Rated Voltage 125°C		I Amp	CKT	Min Cap	Minimum Insertion Loss (dB)							
			DC	AC				1 MHz	3 MHz	10 MHz	30 MHz	100 MHz	300 MHz	1 GHz	10 GHz
SCI-9510-503	—	1	100	—	25	C	0.05 µF	15	24	35	41	45	60	60	60
SCI-3513-000	—	1	100	—	25	Pi	0.1 µF	10	18	28	37	70	70	70	70
SCI-3523-000	—	1	200	115	25	Pi	0.02 µF	—	—	25	50	66	66	70	70
SCI-3543-000	—	1	400	220	25	Pi	6000 pF	—	—	15	35	54	65	70	70
SCI-9550-102	—	1	500	115	25	C	1000 pF	—	—	—	11	20	28	28	28
† 1202-052	—	1	500	—	25	Pi	3000 pF	—	—	10	35	55	55	70	70
† 1202-054	—	2	500	—	25	Pi	3000 pF	—	—	10	35	55	55	70	70
51-702-020*	/61-0003	3	500	350	25	Pi	3000 pF	—	—	—	35	55	55	70	70
51-702-021	/61-0004	3	500	350	25	Pi	3000 pF	—	—	10	35	55	55	70	70
SCI-9550-332	—	1	500	115	25	C	3300 pF	—	—	12	20	30	33	40	40
SCI-3553-000	—	1	500	220	25	Pi	0.012 µF	—	—	18	28	52	52	70	70
† 1202-005	—	2	700	—	25	Pi	2000 pF	—	—	5	20	50	55	70	70

† Also available through Spectrum Control's authorized distributors.

* Denotes parts with 5/16-24 Threads



High Current/High Voltage Resin Sealed Filters

High current filters are ideal for use in high current 5 volt logic buss, but also can be used for ± 48 VDC telephone rack buss, high current switch mode power supplies and DC charging systems. High voltage filters find use in high voltage power supplies and applications requiring U.L. Hi-Pot.

Features

- Current ratings up to 100 Amps
- Continuous voltage ratings up to 1250 VDC/240 VAC (400Hz)
- U.L. 1459 recognized and CSA C22.2 approved versions available
- Rugged bolt-in style for easy installation

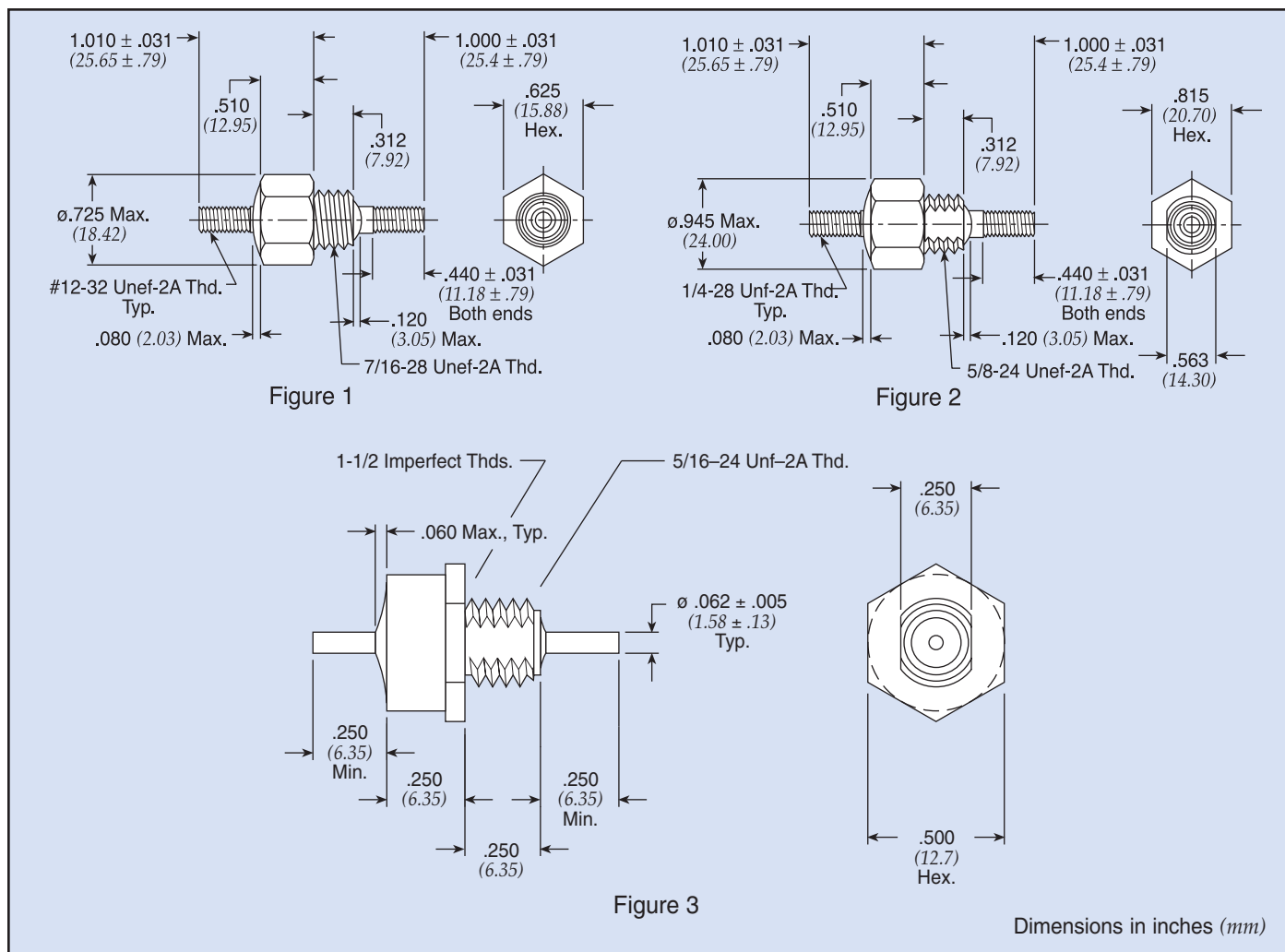


Installation Notes

for Figure 1 & 2 — see below (Figure 3 see page 16)

1. Mounting installation torque
 - Method A:** Mounting in full threaded thru hole
Maximum torque: 96 in-lbs
 - Method B:** Mounting w/hardware
Maximum torque: 84 in-lbs
 2. Terminal installation torque
Maximum torque: 20 in-lbs
- Note: Use two wrench method to install terminal hardware

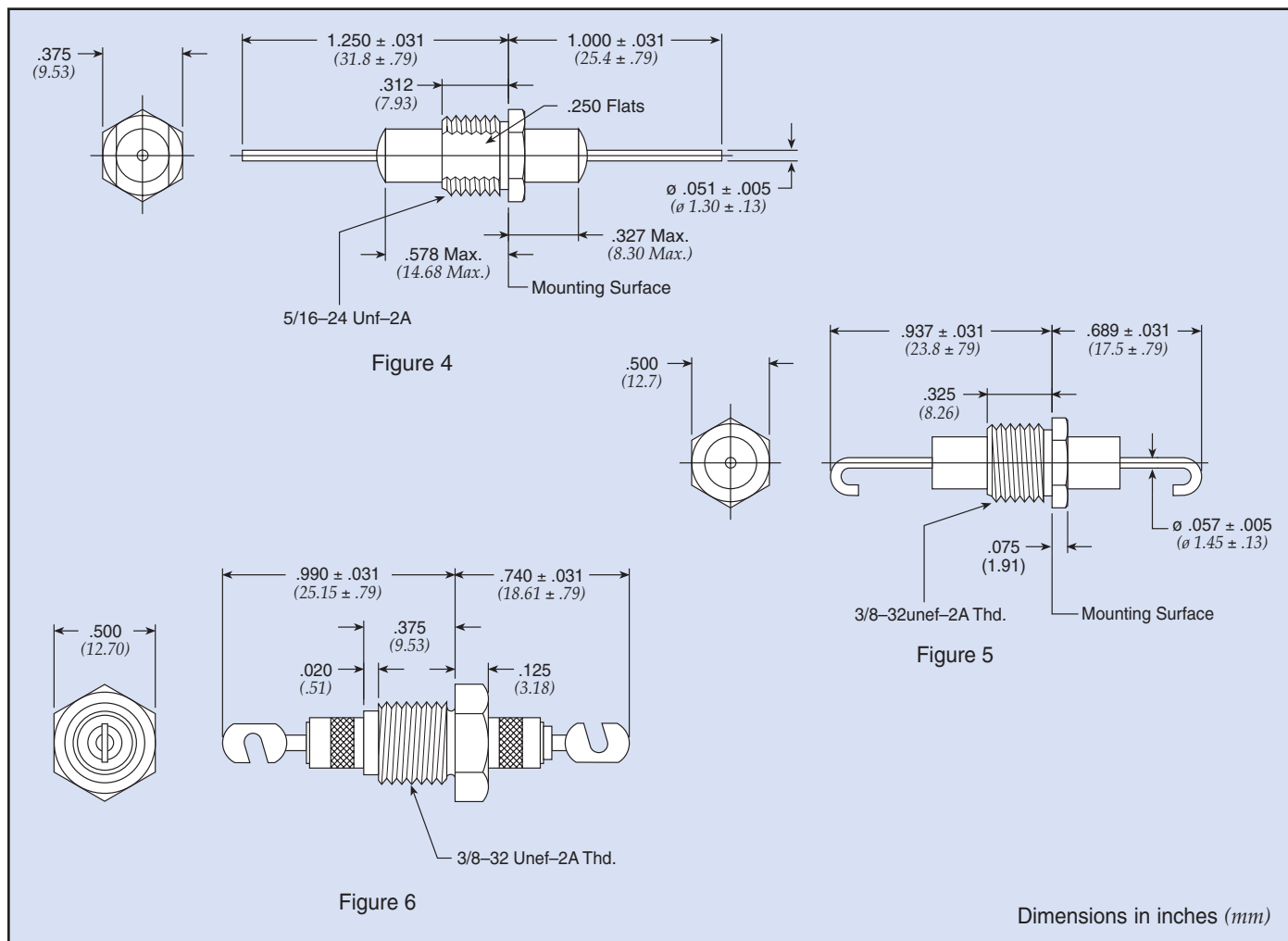
Low Pass Filters





High Current/High Voltage Resin Sealed Filters

High Current High Voltage Feed-thru



Low Pass Filters

Part Number	Figure	Rated Voltage 125°C		I Amp	CKT	Min Cap	Minimum Insertion Loss (dB)							
		DC	AC***				1 MHz	3 MHz	10 MHz	30 MHz	100 MHz	300 MHz	1 GHz	10 GHz
54-848-005*	1	60	—	50	C	0.22 µF	20	30	40	50	50	50	50	50
54-853-001*	2	60	—	50	C	0.22 µF	20	30	40	50	50	50	50	50
54-853-004 €	2	200	140	100	C	0.22 µF	20	30	40	50	50	50	50	50
54-848-008	1	200	140	100	C	0.22 µF	20	30	40	50	50	50	50	50
54-844-001**	3	600	240	25	C	4700 pF ± 20%	—	—	12	20	30	33	50	50
54-844-002**	3	600	240	25	C	0.01 µF ± 20%	3	7	20	25	35	40	57	57
54-763-008	4	750	—	25	C	1000 pF	—	—	—	10	20	28	28	28
54-763-009	4	750	—	25	C	4000 pF	—	—	10	22	32	35	35	40
54-789-003	5	1250	—	25	C	4000 pF	—	—	6	20	30	35	35	35
† 1280-060 €	6	2500	—	25	Pi	1500 pF	—	—	5	15	50	50	50	50

† Also available through Spectrum Control's authorized distributors.

€ Also available through Spectrum Control's authorized European distributors/agents.

* Denotes parts that are UL recognized to UL 60950 and certified to CSA C22.2

** Denotes parts that meet 1500 VAC Dielectric Withstanding Voltage per UL 1283 and CSA C22.2

*** AC Voltage to be 400Hz

SPECTRUM CONTROL INC. • 8031 Avonia Rd. • Fairview, PA 16415 • Phone: 814-474-2207 • Fax: 814-474-2208 • Web site: www.spectrumcontrol.com
 SPECTRUM CONTROL GmbH • Hansastrasse 6 • 91126 Schwabach, Germany • Phone: (49)-9122-795-0 • Fax: (49)-9122-795-58



Hermetically Sealed Threaded Case Filters

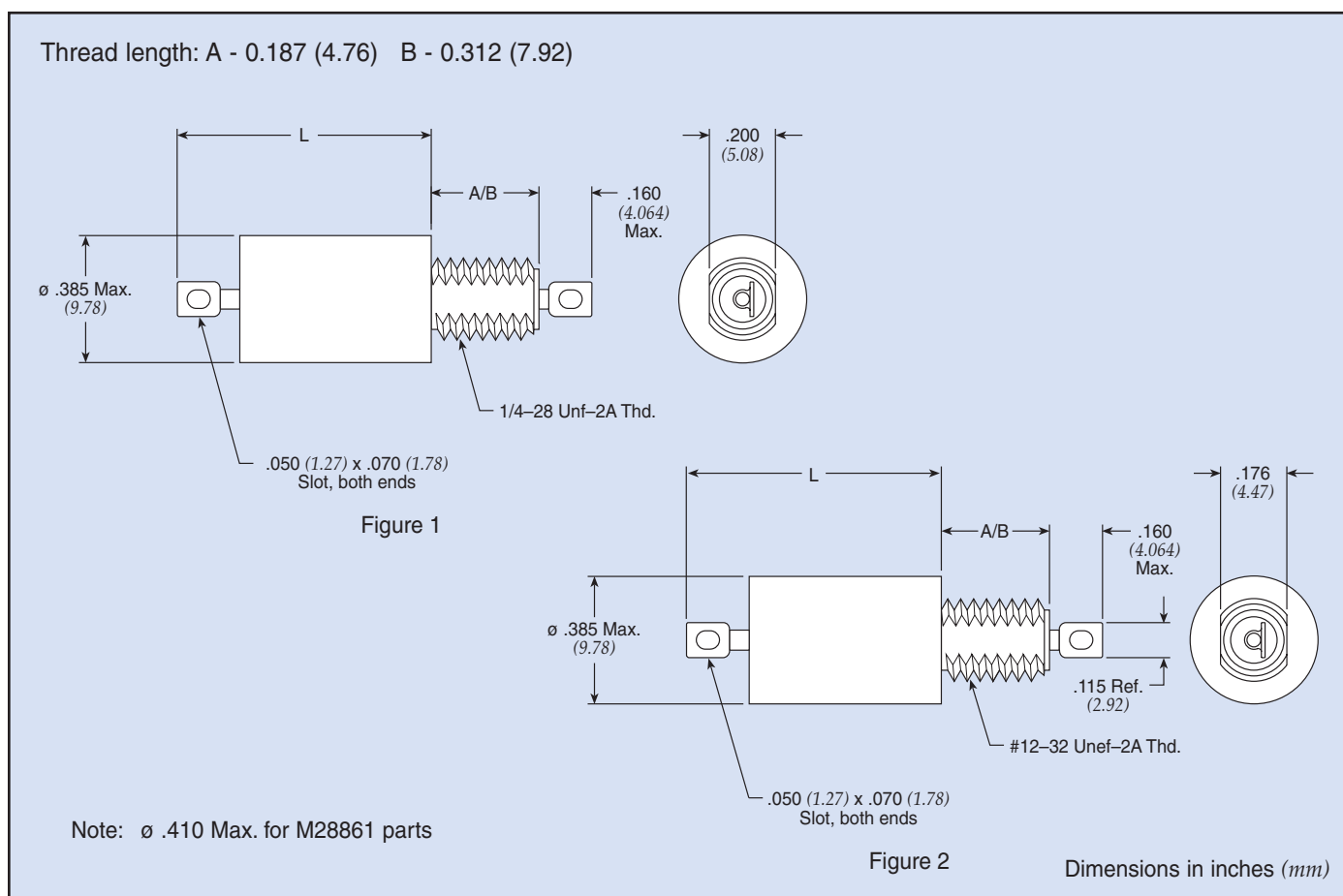
This series of filters features hermetic glass seals and high EMI filtering performance. They are excellent for critical applications that demand high reliability in the toughest environmental conditions and provide broadband high performance EMI filtering from 10 KHz to over 10 GHz.

Features

- Popular .375", .410" and .690" case diameters
- Voltage ratings from 50 VDC to 400 VDC/240 VAC, 400 Hz
- Filter configurations available: C, L, Pi, T and double T
- MIL-F-15733 and MIL-F-28861 QPL filters available



Low Pass Filters





Hermetically Sealed Threaded Case Filters

.375 ø C Circuit Standard

Part Number	MIL No	See Pg. 84 for Fig.	Rated Voltage				I Amp	Min Cap µF	DCR Max Ohms	Max L		Thd Lgth	Minimum Insertion Loss (dB)							
			85°C		125°C					In	(mm)		30 KHz	150 KHz	300 KHz	1 MHz	10 MHz	100 MHz	1 GHz	
			DC	AC	DC	AC														
† 54-367-008	—	1	80	—	50	—	15	1.400	0.005	0.387	(9.830)	A	15	28	33	44	60	70	70	
54-370-007	—	1	80	—	50	—	15	2.800	0.005	0.576	(14.630)	A	20	34	39	50	60	70	70	
54-371-001	—	1	80	—	50	—	15	4.000	0.005	0.688	(17.475)	A	26	40	46	55	60	70	70	
54-367-005	—	1	150	—	100	—	15	0.450	0.005	0.387	(9.830)	A	6	19	25	36	55	70	70	
† 9920-100-6002	—	1	200	—	150	125	15	0.150	0.005	0.387	(9.830)	A	—	6	15	26	42	55	70	
54-367-007	—	1	250	—	200	125	15	0.015	0.005	0.387	(9.830)	A	—	—	—	6	25	45	50	
† 54-367-006	—	1	250	—	200	125	15	0.250	0.005	0.387	(9.830)	A	—	14	19	30	50	65	70	
54-370-006	—	1	250	—	200	125	15	0.500	0.005	0.630	(16.002)	A	7	20	28	39	55	70	70	
9923-100-6004	—	1	400	—	400	240	15	0.060	0.005	0.415	(10.541)	A	—	5	10	18	38	55	70	

.375 ø C Circuit MIL Qualified (See MIL index on page 244-246 for complete MIL part number listing)

Part Number	M15733 M28861 MIL No	See Pg. 84 for Fig.	Rated Voltage				I Amp	Min Cap µF	DCR Max Ohms	Max L		Thd Lgth	Minimum Insertion Loss (dB)							
			85°C		125°C					In	(mm)		30 KHz	150 KHz	300 KHz	1 MHz	10 MHz	100 MHz	1 GHz	
			DC	AC	DC	AC														
54-367-054	1-012◇	1	—	—	50	—	15	1.200	0.008	0.410	(10.414)	B	15	28	33	40	40	70	70	
54-367-049	1-002◇	1	—	—	50	—	15	1.200	0.008	0.410	(10.414)	A	15	28	33	40	40	70	70	
54-370-032	49-0008	1	—	—	50	—	15	2.100	0.010	0.576	(14.630)	A	20	33	40	50	65	70	70	
54-367-055	1-014◇	1	—	—	70	—	15	0.700	0.008	0.410	(10.414)	B	10	24	30	40	40	64	70	
54-370-030	34-0035	2	—	—	100	—	10	0.300	0.004	0.474	(12.040)	A	7	19	25	35	55	70	70	
54-367-051	1-006◇	1	—	—	100	—	15	0.450	0.008	0.410	(10.414)	A	6	19	25	36	40	60	70	
54-367-056	1-016◇	1	—	—	100	—	15	0.450	0.008	0.410	(10.414)	B	6	19	25	36	40	60	70	
54-367-057	1-018◇	1	—	—	150	—	15	0.250	0.008	0.410	(10.414)	B	—	14	20	31	40	56	70	
54-367-053	1-010◇	1	—	—	200	125	15	0.150	0.008	0.410	(10.414)	A	—	10	16	26	40	52	70	
54-367-058	1-020◇	1	—	—	200	125	15	0.150	0.008	0.410	(10.414)	B	—	10	16	26	40	52	70	
54-370-034	49-0010	1	—	—	330	—	15	0.062	0.004	0.680	(17.272)	A	—	2	7	17	37	55	70	

† Also available through Spectrum Control's authorized distributors.

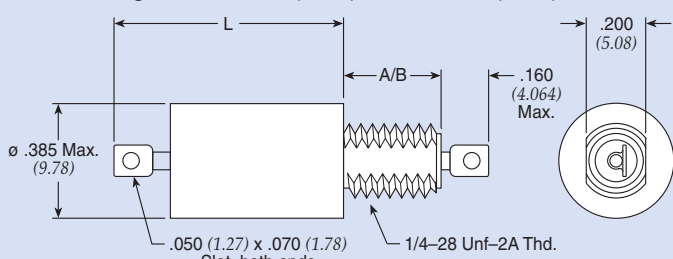
Low Pass Filters



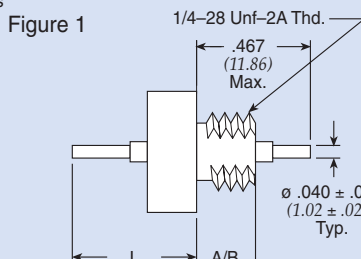
Hermetically Sealed Threaded Case Filters

.375 ø L Circuit

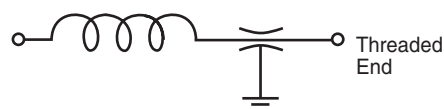
Thread length: A - 0.187 (4.76) B - 0.312 (7.92)



Note: ø .410 Max. for M28861 parts



L-C Filter LT



L-C Filter LB

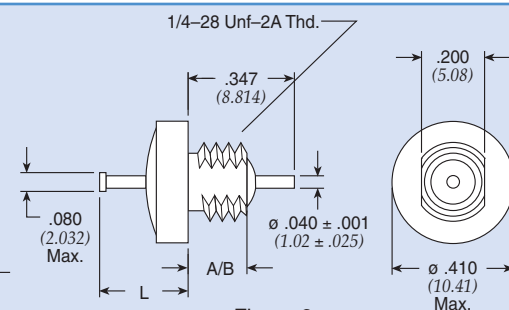


Figure 2
Resin Sealed
Not Hermetically Sealed

Low Pass Filters

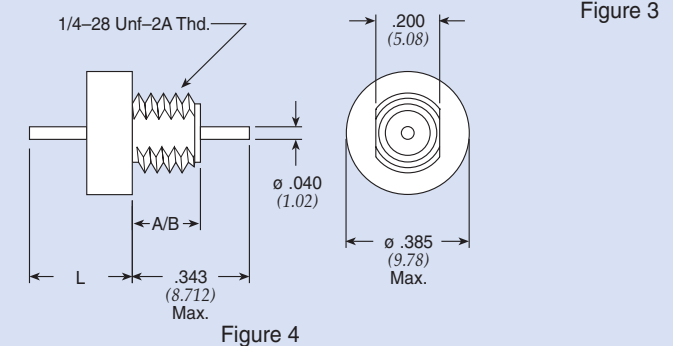


Figure 4

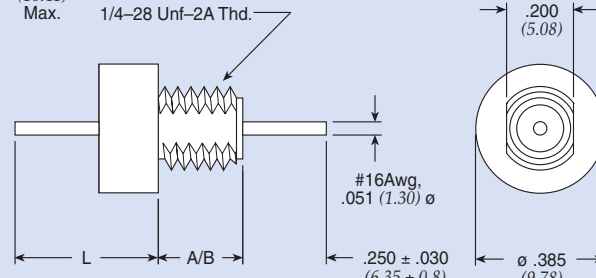


Figure 5
Dimensions in inches (mm)

.375 ø L Standard Low Profile

Part Number	MIL No	Figure	Rated Voltage				I Amp	Min Cap µF	DCR Max Ohms	CKT	Max L In	Max L (mm)	Thd Lgth	Minimum Insertion Loss (dB)						
			85°C		125°C									30 KHz	150 KHz	300 KHz	1 MHz	10 MHz	100 MHz	1 GHz
			DC	AC	DC	AC														
† 9051-100-0000	—	1	80	—	50	—	15	1.200	0.005	LB	0.370	(9.398)	A	15	25	34	44	60	70	70
† 51-359-001 €	—	1	80	—	50	—	15	1.400	0.005	LB	0.370	(9.398)	A	15	28	33	44	60	70	70
SCI-1021-000	—	2*	80	—	50	—	15	1.400	0.003	LB	0.280	(7.112)	A	15	28	33	44	60	70	70
† 9053-100-0001	—	1	80	—	50	—	15	1.400	0.005	LB	0.370	(9.398)	A	15	25	34	44	60	70	70
† 51-717-001 €	—	2*	80	—	50	—	15	1.400	0.005	LB	0.325	(8.255)	A	15	28	33	44	60	70	70
51-344-006	—	4	80	—	50	—	15	1.400	0.005	LB	0.330	(8.382)	A	15	28	33	44	60	70	70
† SCI-1020-000	—	1	80	—	50	—	15	1.400	0.003	LB	0.370	(9.398)	A	15	28	33	44	60	70	70
SCI-1021-020	—	2 ⁰ *	80	—	50	—	15	1.400	0.003	LB	0.280	(7.112)	B	15	28	33	44	60	70	70
† SCI-1020-020	—	1	80	—	50	—	15	1.400	0.003	LB	0.370	(9.398)	B	15	28	33	44	60	70	70
SCI-1150-001	—	1	80	—	50	—	15	2.800	0.003	LB	0.450	(11.430)	B	20	34	40	49	60	70	70
9051-101-0018	—	5	80	—	50	—	25	1.400	0.001	LB	0.450	(11.430)	A	15	25	34	44	60	70	70
† 9053-100-0008	—	1	100	—	70	—	15	0.700	0.005	LB	0.370	(9.398)	A	9	20	29	39	52	70	70

* Part is resin sealed, this is not a hermetic part.

† Also available through Spectrum Control's authorized distributors.

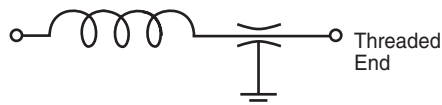
€ Also available through Spectrum Control's authorized European distributors/agents.

◊ Note: 0.462" (11.73mm) length from mounting surface to end of lead — not 0.347" (8.8mm).

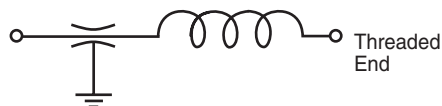


Hermetically Sealed Threaded Case Filters

L-C Filter LT



L-C Filter LB



.375 ø L Standard Low Profile *continued*

Part Number	MIL No	See Pg. 86 for Fig	Rated Voltage				I Amp	Min Cap µF	DCR Max Ohms	CKT	Max L In (mm)	Thd Lgth	Minimum Insertion Loss (dB)						
			85°C		125°C								30 KHz	150 KHz	300 KHz	1 MHz	10 MHz	100 MHz	1 GHz
†9050-100-0008	—	2*	100	—	70	—	15	0.750	0.005	LB	0.325 (8.255)	A	9	20	29	39	52	70	70
†9053-100-0002	—	1	150	—	100	—	15	0.500	0.005	LB	0.370 (9.398)	A	4	12	21	31	48	70	70
SCI-1250-001	—	1	150	—	100	—	15	0.500	0.003	LB	0.450 (11.430)	B	8	20	25	34	50	64	70
€SCI-2150-000	—	1	150	—	100	—	15	1.000	0.003	LB	0.450 (11.430)	A	10	25	30	41	56	70	70
SCI-2150-001	—	1	150	—	100	—	15	1.000	0.003	LB	0.450 (11.430)	B	10	25	30	41	56	70	70
†51-717-007	—	2*	250	125	200	125	15	0.015	0.005	LB	0.325 (8.255)	A	—	—	—	6	25	38	45
†51-359-007	—	1	250	125	200	125	15	0.015	0.005	LB	0.370 (9.398)	A	—	—	—	6	25	38	50
9050-100-0011	—	2	350	125	300	125	15	0.150	0.008	LB	0.325 (8.255)	A	—	10	15	25	40	52	60
€SCI-2350-000	—	1	300	125	300	125	15	0.250	0.003	LB	0.450 (11.430)	A	4	15	21	31	50	70	70
SCI-2350-001	—	1	300	125	300	125	15	0.250	0.003	LB	0.450 (11.430)	B	4	15	21	31	50	70	70

* Part is resin sealed, this is not a hermetic part.

(See MIL index on page 244-246 for complete MIL part number listing)

.375 ø L Circuit MIL Qualified Low Profile

Part Number	M15733 M28861 MIL No	See Pg. 86 for Fig	Rated Voltage				I Amp	Min Cap µF	DCR Max Ohms	CKT	Max L In (mm)	Thd Lgth	Minimum Insertion Loss (dB)						
			85°C		125°C								30 KHz	150 KHz	300 KHz	1 MHz	10 MHz	100 MHz	1 GHz
†51-359-021	38-0004	1	—	—	50	—	10	1.400	0.008	LB	0.370 (9.398)	A	15	28	33	44	60	70	70
†51-359-024	38-0005	1	80	—	50	—	10	1.400	0.008	LB	0.370 (9.398)	A	15	28	33	44	60	70	70
†51-359-051	58-0001	1	80	—	50	—	10	1.400	0.008	LB	0.545 (13.843)	A	15	28	33	44	60	70	70
51-359-105	58-0004	1	80	—	50	—	10	1.400	0.008	LT	0.545 (13.843)	B	15	28	33	44	60	70	70
†51-359-044	49-0006	1	100	—	50	—	15	1.200	0.010	LB	0.370 (9.398)	A	15	28	33	44	60	70	70
†51-359-055	49-0007	3	100	—	50	—	15	1.200	0.010	LB	0.450 (11.43)	A	15	28	33	44	60	70	70
51-359-081	1-001	1	—	—	50	—	15	1.400	0.008	LB	0.410 (10.414)	A	15	28	33	40	40	70	70
51-359-086	1-011	1	—	—	50	—	15	1.400	0.008	LB	0.410 (10.414)	B	15	28	33	40	40	70	70
†51-359-053	49-0001	4	100	—	50	—	15	0.680	0.010	LB	0.319 (8.103)	A	8	20	28	38	55	70	70
51-359-082	1-003	1	—	—	70	—	15	0.700	0.008	LB	0.410 (10.414)	A	10	24	30	40	40	64	70
51-359-083	1-005	1	—	—	100	—	15	0.450	0.008	LB	0.410 (10.414)	A	6	19	25	36	40	60	70
51-359-088	1-015	1	—	—	100	—	15	0.450	0.008	LB	0.410 (10.414)	B	6	19	25	36	40	60	70
51-359-084	1-007	1	—	—	150	—	15	0.250	0.008	LB	0.410 (10.414)	A	—	14	20	31	40	56	70
51-359-050	38-0008	1	—	—	200	125	15	0.030	0.008	LB	0.370 (9.398)	A	—	—	—	6	25	42	60
51-359-085	1-009	1	—	—	200	125	15	0.150	0.008	LB	0.410 (10.414)	A	—	10	16	26	40	52	70
51-359-090	1-019	1	—	—	200	125	15	0.150	0.008	LB	0.410 (10.414)	B	—	10	16	26	40	52	70

† Also available through Spectrum Control's authorized distributors.

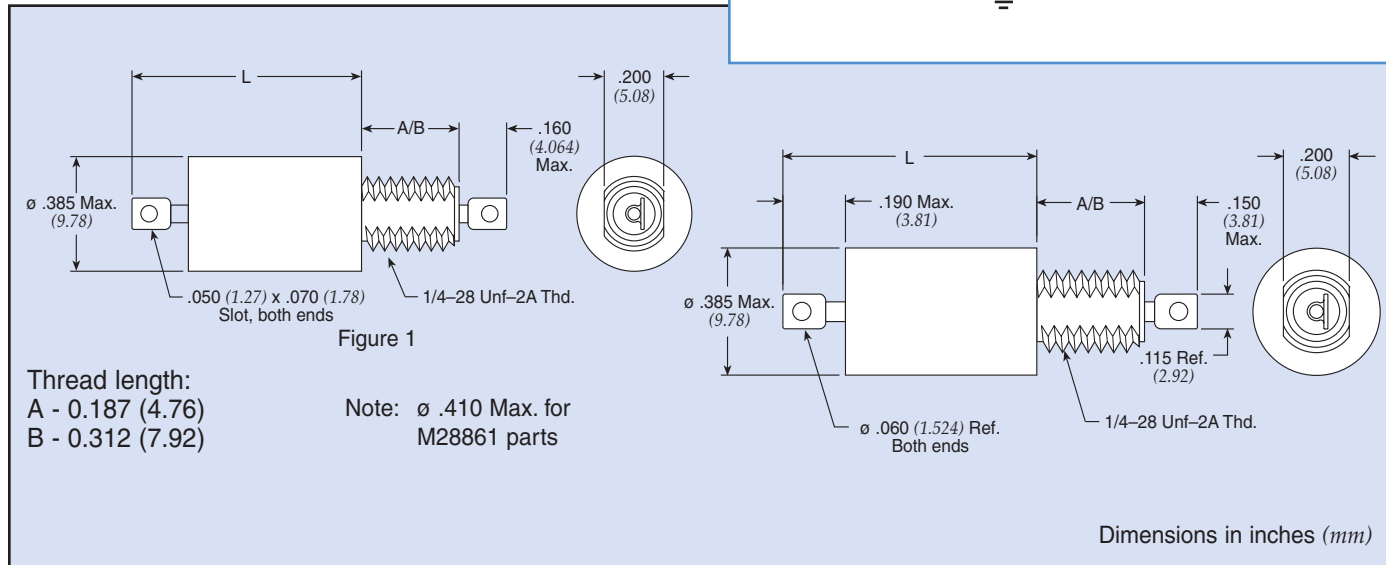
€ Also available through Spectrum Control's authorized European distributors/agents.

Low Pass Filters

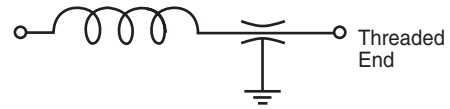


Hermetically Sealed Threaded Case Filters

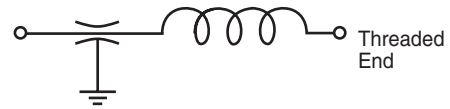
.375 ø L Circuit



L-C Filter LT



L-C Filter LB



Low Pass Filters

.375 ø L Circuit Standard Product

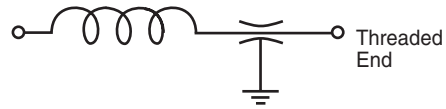
Part Number	MIL No	Figure	Rated Voltage				I Amp	Min Cap µF	DCR Max Ohms	CKT	Max L In	Max L (mm)	Thd Lgth	Minimum Insertion Loss (dB)						
			85°C DC	85°C AC	125°C DC	125°C AC								30 KHz	150 KHz	300 KHz	1 MHz	10 MHz	100 MHz	1 GHz
51-353-007	—	1	80	—	50	—	0.06	1.400	70.000	LB	0.770	(19.558)	A	44	70	70	70	70	70	70
51-353-095	—	1	80	—	50	—	0.15	1.400	12.000	LT	0.960	(24.384)	A	21	52	64	70	70	70	70
51-353-003	—	1	80	—	50	—	0.45	1.400	1.200	LB	0.770	(19.558)	A	16	31	37	55	70	70	70
51-353-099	—	1	80	—	50	—	1.00	1.400	0.250	LT	0.770	(19.558)	A	16	33	44	70	70	70	70
51-353-100	—	1	80	—	50	—	5.00	1.400	0.015	LT	0.770	(19.558)	A	15	28	33	46	70	70	70
†9200-300-0025	—	1	80	—	50	—	10.00	1.200	0.010	LB	0.450	(11.430)	A	15	28	33	44	60	70	70

† Also available through Spectrum Control's authorized distributors.

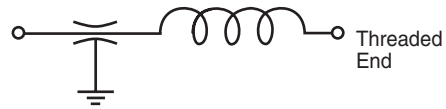


Hermetically Sealed Threaded Case Filters

L-C Filter LT



L-C Filter LB



.375 ø L Circuit Standard Product *continued*

Part Number	MIL No	See Pg. 88 for Fig	Rated Voltage				I Amp	Min Cap µF	DCR Max Ohms	CKT	Max L In (mm)	Thd Lgth	Minimum Insertion Loss (dB)						
			85°C		125°C								30 KHz	150 KHz	300 KHz	1 MHz	10 MHz	100 MHz	1 GHz
†9200-303-0095	—	1	80	—	50	—	10.00	1.200	0.010	LB	0.450 (11.430)	B	15	28	33	44	60	70	70
51-353-101	—	1	80	—	50	—	10.00	1.400	0.010	LT	0.450 (11.430)	A	14	28	33	44	60	70	70
51-353-109	—	1	80	—	50	—	10.00	1.400	0.010	LT	0.450 (11.430)	B	15	28	33	44	60	70	70
51-353-120	—	1	150	—	100	—	1.00	0.750	0.250	LB	0.758 (19.253)	A	9	27	36	57	70	70	70
9000-103-0019	—	1	150	—	100	—	5.00	0.450	0.015	LT	0.758 (19.253)	B	6	20	26	37	68	70	70
SCI-2120-014	—	1	150	—	100	—	10.00	1.000	0.003	LB	0.450 (11.430)	B	14	28	34	44	52	70	70
51-353-110	—	1	250	—	200	125	1.00	0.250	0.250	LT	0.758 (19.253)	A	—	17	29	50	70	70	70
†51-353-111	—	1	250	—	200	125	1.00	0.250	0.250	LB	0.758 (19.253)	A	—	17	29	50	70	70	70
51-353-112	—	1	250	—	200	125	3.00	0.250	0.050	LT	0.758 (19.253)	A	—	13	20	35	70	70	70
†51-353-113	—	1	250	—	200	125	3.00	0.250	0.050	LB	0.758 (19.253)	A	—	13	20	35	70	70	70
51-353-114	—	1	250	—	200	125	5.00	0.250	0.015	LT	0.758 (19.253)	A	—	12	20	30	62	70	70
51-353-116	—	1	250	—	200	125	10.00	0.250	0.010	LT	0.450 (11.430)	A	—	15	20	30	50	70	70
SCI-2320-010	—	1	300	—	300	125	0.50	0.150	1.000	LB	0.758 (19.253)	B	—	23	35	56	70	70	70
SCI-2320-004	—	1	300	—	300	125	1.00	0.150	0.250	LB	0.758 (19.253)	A	—	10	21	41	70	70	70
SCI-2320-005	—	1	300	—	300	125	2.00	0.150	0.063	LB	0.758 (19.253)	A	—	8	14	30	70	70	70
SCI-2320-006	—	1	300	—	300	125	3.00	0.150	0.027	LB	0.758 (19.253)	A	—	8	14	26	64	70	70
SCI-2320-007	—	1	300	—	300	125	10.00	0.150	0.003	LB	0.450 (11.430)	A	—	8	14	25	45	52	70
SCI-2320-014	—	1	300	—	300	125	10.00	0.150	0.003	LB	0.450 (11.430)	B	—	8	14	25	45	52	70

Low Pass Filters

.375 ø L Circuit MIL Qualified Profile

(See MIL index on pages 244-246 for complete MIL part number listing)

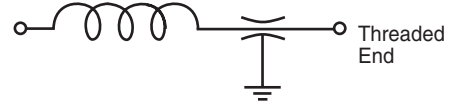
Part Number	M15733 MIL No	See Pg. 88 for Fig	Rated Voltage				I Amp	Min Cap µF	DCR Max Ohms	CKT	Max L In (mm)	Thd Lgth	Minimum Insertion Loss (dB)						
			85°C		125°C								30 KHz	150 KHz	300 KHz	1 MHz	10 MHz	100 MHz	1 GHz
51-390-018	23-0026	1	—	—	50	—	0.50	1.400	0.360	LB	0.630 (16.002)	A	12	36	48	69	70	70	70
51-390-026	23-0038	1	—	—	50	—	1.00	1.400	0.140	LB	0.630 (16.002)	A	11	26	36	55	70	70	70
51-390-034	23-0050	1	—	—	50	—	2.00	1.400	0.070	LB	0.630 (16.002)	A	10	24	32	48	70	70	70
†51-353-067	24-0006	1	80	—	50	—	10.00	1.400	0.010	LB	0.760 (19.304)	B	15	28	31	42	56	70	70
51-353-207	34-0007	1	—	—	50	—	10.00	1.400	0.010	LB	0.760 (19.304)	A	15	28	31	42	56	70	70
51-444-072	58-0002	1	80	—	50	—	10.00	1.400	0.008	LT	0.545 (13.843)	A	15	28	33	44	60	70	70
†51-353-066	24-0005	1	80	—	50	—	10.00	1.400	0.010	LB	0.760 (19.304)	A	15	28	31	42	56	70	70
51-353-287	39-0014	1	—	—	50	—	10.00	1.400	0.003	LT	0.760 (19.304)	B	14	28	34	44	52	70	70
†51-444-060	24-0008	1	80	—	50	—	10.00	1.400	0.010	LT	0.740 (18.796)	B	15	28	31	42	56	70	70
†51-343-028	38-0002	1	—	—	50	—	15.00	1.400	0.008	LB	0.481 (12.217)	A	15	28	33	44	64	70	70
†51-343-034	38-0006	1	—	—	50	—	15.00	1.400	0.008	LB	0.481 (12.217)	B	15	28	33	44	64	70	70
51-353-053	25-0003	1	—	—	100	—	1.00	0.450	0.250	LB	0.738 (18.745)	A	6	23	34	55	70	70	70
†51-353-054	25-0005	1	—	—	100	—	5.00	0.450	0.015	LT	0.758 (19.253)	A	6	17	23	35	69	70	70
†51-353-055	25-0008	1	—	—	100	—	5.00	0.450	0.015	LB	0.738 (18.745)	A	6	17	23	35	69	70	70
51-353-155	39-0008	1	—	—	100	—	5.00	0.450	0.015	LB	0.760 (19.304)	A	6	20	26	35	60	60	70
51-444-039	25-0017	1	—	—	100	—	5.00	0.450	0.015	LT	0.758 (19.253)	B	6	17	23	35	69	70	70

† Also available through Spectrum Control's authorized distributors.

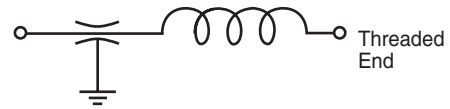


Hermetically Sealed Threaded Case Filters

L-C Filter LT



L-C Filter LB



.375 ø L Circuit MIL Qualified Profile *continued*

(See MIL index on pages 244-246 for complete MIL part number listing)

Low Pass Filters

Part Number	M15733 MIL No	See Pg. 88 for Fig	Rated Voltage				I Amp	Min Cap µF	DCR Max Ohms	CKT	Max L In (mm)	Thd Lgth	Minimum Insertion Loss (dB)						
			85°C		125°C								30 KHz	150 KHz	300 KHz	1 MHz	10 MHz	100 MHz	1 GHz
			DC	AC	DC	AC													
51-444-040	25-0020	1	—	—	100		5.00	0.450	0.015	LB	0.738 (18.745)	B	6	17	23	35	69	70	70
51-353-156	39-0009	1	—	—	100		10.00	0.450	0.003	LT	0.760 (19.304)	A	6	20	26	35	56	60	70
51-353-157	39-0010	1	—	—	100		10.00	0.450	0.003	LB	0.760 (19.304)	A	6	20	26	35	56	60	70
†51-353-076	26-0001	1	—	—	150	125	1.00	0.250	0.250	LT	0.758 (19.253)	A	—	13	24	45	80	70	70
†51-353-077	26-0003	1	—	—	150	125	1.00	0.250	0.250	LB	0.738 (18.745)	A	—	13	24	45	80	70	70
51-444-043	26-0013	1	—	—	150	125	1.00	0.250	0.250	LT	0.758 (19.253)	B	—	13	24	45	80	70	70
51-444-044	26-0015	1	—	—	150	125	1.00	0.250	0.250	LB	0.738 (18.745)	B	—	13	24	45	80	70	70
51-390-040	23-0058	1	—	—	150		2.00	0.250	0.070	LT	0.630 (16.002)	A	3	15	23	38	60	70	60
51-390-039	23-0057	1	—	—	150		2.00	0.250	0.070	LT	0.630 (16.002)	B	3	15	23	38	60	70	60
51-444-005	34-0015	1	—	—	150	125	3.00	0.150	0.050	LT	0.758 (19.253)	B	—	8	15	30	68	70	70
†51-353-078	26-0004	1	—	—	150	125	3.00	0.250	0.050	LT	0.758 (19.253)	A	—	8	15	30	68	70	70
†51-353-079	26-0006	1	—	—	150	125	3.00	0.250	0.050	LB	0.738 (18.745)	A	—	8	15	30	68	70	70
†51-444-046	26-0018	1	—	—	150	125	3.00	0.250	0.050	LB	0.738 (18.745)	B	—	8	15	30	68	70	70
51-444-047	26-0019	1	—	—	150	125	5.00	0.250	0.015	LT	0.758 (19.253)	B	—	8	14	25	58	70	70
†51-353-080	26-0007	1	—	—	150	125	5.00	0.250	0.015	LT	0.758 (19.253)	A	—	8	14	25	58	70	70
51-353-081	26-0010	1	—	—	150	125	5.00	0.250	0.015	LB	0.738 (18.745)	A	—	8	14	25	58	70	70
51-444-027	34-0030	1	—	—	200	125	5.00	0.250	0.150	LB	0.900 (22.860)	A	2	15	21	32	60	70	70
51-444-117	54-0018	2	—	—	300	125	1.00	0.150	0.250	LB	0.740 (18.796)	A	—	10	21	41	70	70	70

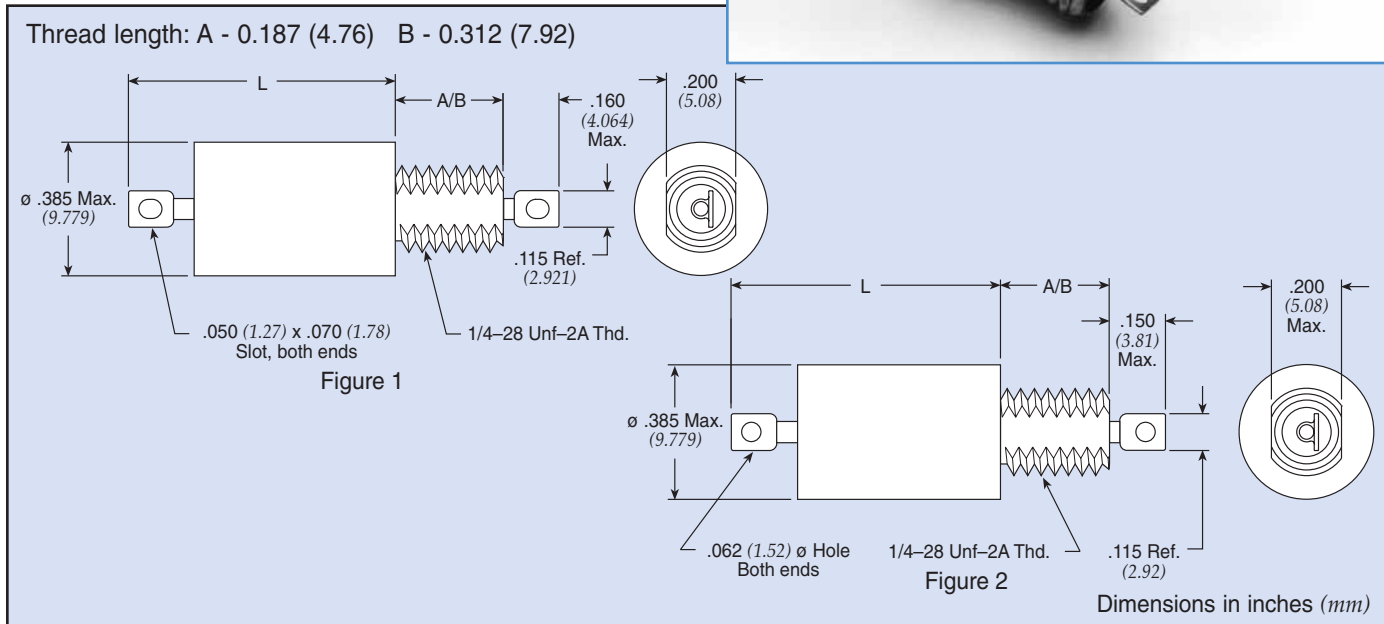
† Also available through Spectrum Control's authorized distributors.



Hermetically Sealed Threaded Case Filters



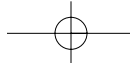
.375 ø Pi Circuit



.375 ø Pi Circuit Standard Product

Part Number	MIL No	Figure	Rated Voltage				I Amp	Min Cap µF	DCR Max Ohms	Max L In (mm)	Thd Lgth	Minimum Insertion Loss (dB)						
			85°C		125°C							30 KHz	150 KHz	300 KHz	1 MHz	10 MHz	100 MHz	1 GHz
			DC	AC	DC	AC												
SCI-2030-010	—	2	80	—	50	—	0.50	1.500	1.000	0.758 (19.253)	B	24	66	70	70	70	70	70
SCI-2030-004	—	2	80	—	50	—	1.00	1.500	0.250	0.758 (19.253)	A	15	54	70	70	70	70	70
SCI-2030-005	—	2	80	—	50	—	2.00	1.500	0.063	0.758 (19.253)	A	—	45	62	70	70	70	70
SCI-2030-006	—	2	80	—	50	—	3.00	1.500	0.027	0.758 (19.253)	A	—	35	55	70	70	70	70
SCI-2030-013	—	2	80	—	50	—	3.00	1.500	0.027	0.758 (19.253)	B	—	35	55	70	70	70	70
†9001-100-1080	—	1	80	—	50	—	5.00	2.800	0.015	0.758 (19.253)	A	—	18	60	70	70	70	70
†9001-100-1081	—	1	80	—	50	—	10.0	2.800	0.005	0.758 (19.253)	A	21	32	40	35	68	70	70
SCI-2130-009	—	1	150	—	100	—	0.25	1.000	4.000	0.758 (19.253)	B	28	70	70	70	70	70	70
51-311-319	—	1	150	—	100	—	0.50	1.000	0.600	0.758 (19.253)	A	—	51	69	70	70	70	70
†9001-100-1010	—	1	150	—	100	—	0.50	1.000	0.600	0.758 (19.253)	A	6	39	68	70	70	70	70
51-311-320	—	1	150	—	100	—	1.00	1.000	0.250	0.758 (19.253)	A	—	41	60	70	70	70	70
†9001-100-1013	—	1	150	—	100	—	1.00	1.000	0.250	0.758 (19.253)	A	—	28	59	70	70	70	70
51-311-321	—	1	150	—	100	—	3.00	1.000	0.060	0.758 (19.253)	A	—	16	41	70	70	70	70
†51-311-322	—	1	150	—	100	—	5.00	1.000	0.015	0.758 (19.253)	A	—	—	28	65	70	70	70
SCI-2130-007	—	1	150	—	100	—	10.0	1.000	0.003	0.758 (19.253)	A	9	24	29	40	70	70	70
SCI-2130-014	—	1	150	—	100	—	10.0	1.000	0.005	0.758 (19.253)	B	9	24	29	40	70	70	70
51-311-316	—	1	250	125	200	125	1.00	0.300	0.250	0.758 (19.253)	A	—	20	40	70	70	70	70
51-311-317	—	1	250	125	200	125	3.00	0.300	0.050	0.758 (19.253)	A	—	—	20	55	70	70	70
†9001-100-1025	—	1	250	125	200	125	5.00	0.300	0.015	0.758 (19.253)	A	—	—	12	50	70	70	80
SCI-2330-009	—	1	300	125	300	125	0.25	0.300	4.000	0.758 (19.253)	B	8	50	66	70	70	70	70
SCI-2330-010	—	1	300	125	300	125	0.50	0.300	1.000	0.758 (19.253)	B	—	40	56	70	70	70	70
SCI-2330-012	—	1	300	125	300	125	2.00	0.300	0.063	0.758 (19.253)	B	—	18	33	63	70	70	70
SCI-2330-007	—	1	300	125	300	125	10.0	0.300	0.003	0.758 (19.253)	A	—	14	20	30	70	70	70

† Also available through Spectrum Control's authorized distributors.



Hermetically Sealed Threaded Case Filters

.375 ø Pi Circuit MIL Qualified Product

(See MIL index on pages 244-246 for complete MIL part number listing)

Part Number	M15733 MIL No	See Pg. 91 for Fig.	Rated Voltage				I Amp	Min Cap µF	DCR Max Ohms	Max L In	Max L (mm)	Thd Lgth	Minimum Insertion Loss (dB)						
			85°C		125°C								30 KHz	150 KHz	300 KHz	1 MHz	10 MHz	100 MHz	1 GHz
51-390-305	23-0017	1	—	—	50	—	0.30	2.800	0.770	0.730	(18.542)	B	29	73	80	80	80	80	80
51-390-314	23-0042	1	—	—	50	—	1.00	2.800	0.140	0.730	(18.542)	A	8	52	71	80	80	80	80
†51-390-318	23-0054	1	—	—	50	—	2.00	1.500	0.070	0.730	(18.542)	A	—	46	65	80	80	80	80
†51-390-317	23-0053	1	—	—	50	—	2.00	1.500	0.070	0.730	(18.542)	B	—	46	65	80	80	80	80
51-311-311	25-0010	1	—	—	100	—	0.25	0.900	1.500	0.793	(20.142)	A	—	48	66	80	80	80	70
†51-311-308	25-0002	1	—	—	100	—	1.00	0.500	0.250	0.793	(20.142)	A	—	33	52	80	80	80	70
†51-311-309	25-0004	1	—	—	100	—	3.00	0.660	0.050	0.793	(20.142)	A	—	17	34	68	80	80	70
†51-311-310	25-0006	1	—	—	100	—	5.00	0.900	0.015	0.793	(20.142)	A	—	—	17	57	80	80	70
51-353-344	39-0011	1	—	—	100	—	10.0	0.990	0.003	0.760	(19.304)	A	9	24	29	40	70	70	70
51-353-345	39-0012	1	—	—	100	—	10.0	0.990	0.003	0.760	(19.304)	A	9	24	29	40	70	70	70
†51-311-314	26-0011	1	—	—	150	125	0.25	0.300	1.500	0.793	(20.142)	A	—	29	47	70	80	80	70
51-390-312	23-0036	1	—	—	150	—	0.50	0.500	0.360	0.730	(18.542)	A	—	48	66	70	70	70	70
51-390-311	23-0035	1	—	—	150	—	0.50	0.500	0.360	0.730	(18.542)	B	—	48	66	70	70	70	70
†51-353-336	26-0002	1	—	—	150	125	1.00	0.300	0.250	0.793	(20.142)	A	—	11	32	63	80	80	70
51-390-315	23-0047	1	—	—	150	—	1.00	0.500	0.140	0.730	(18.542)	B	—	32	51	70	70	70	70
51-311-312	26-0005	1	—	—	150	125	3.00	0.300	0.050	0.793	(20.142)	A	—	5	6	47	80	80	70
51-311-408	54-0005	2	—	—	300	115	1.00	0.300	0.250	0.761	(19.329)	A	—	23	43	70	70	70	70

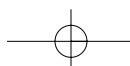
Low Pass Filters

† Also available through Spectrum Control's authorized distributors.

Transient Suppression Pi Filters

Part Number	See Pg. 91 for Fig.	Rated Volt. VDC	I Amp	Min Cap µF	DCR Min Mohms	Max RDC Ohms	Transient Suppressor*				Length In	Length (mm)	Max Thd Lgth	Minimum Insertion Loss (dB)					
							VR* (VDC)	BV* (VDC)	IT* (MA)	IPP* (A)				30 KHz	300 KHz	1 MHz	10 MHz	100 MHz	1 GHz
51-570-300	1	5	0.50	1.400	0.500	0.600	6.5	7.22/7.98	10	44.7	1.179	(29.947)	A	23	57	70	70	70	70
51-570-301	1	5	1.00	1.400	0.500	0.350	6.5	7.22/7.98	10	44.7	1.179	(29.947)	A	3	47	70	70	70	70
51-570-302	1	5	3.00	1.400	0.500	0.060	6.5	7.22/7.98	10	44.7	1.179	(29.947)	A	—	23	58	70	70	70
51-570-303	1	5	5.00	1.400	0.500	0.015	6.5	7.22/7.98	10	44.7	1.179	(29.947)	A	—	17	48	70	70	70
51-570-304	1	5	10.00	1.400	0.500	0.005	6.5	7.22/7.98	10	44.7	1.179	(29.947)	A	16	26	35	40	60	70
51-570-310	1	28	0.50	1.400	30.000	0.600	33.0	36.7/40.6	1	9.4	1.179	(29.947)	A	23	57	70	70	70	70
51-570-311	1	28	1.00	1.400	30.000	0.350	33.0	36.7/40.6	1	9.4	1.179	(29.947)	A	3	47	70	70	70	70
51-570-312	1	28	3.00	1.400	30.000	0.060	33.0	36.7/40.6	1	9.4	1.179	(29.947)	A	—	23	58	70	70	70
51-570-313	1	28	5.00	1.400	30.000	0.015	33.0	36.7/40.6	1	9.4	1.179	(29.947)	A	—	17	48	70	70	70
51-570-314	1	28	10.00	1.400	30.000	0.005	33.0	36.7/40.6	1	9.4	1.179	(29.947)	A	16	26	35	40	60	70
51-570-320	1	50	0.50	1.400	50.000	0.600	58.0	64.4/71.2	1	5.3	1.179	(29.947)	A	23	57	70	70	70	70
51-570-321	1	50	1.00	1.400	50.000	0.350	58.0	64.4/71.2	1	5.3	1.179	(29.947)	A	3	47	70	70	70	70
51-570-322	1	50	3.00	1.400	50.000	0.060	58.0	64.4/71.2	1	5.3	1.179	(29.947)	A	—	23	58	70	70	70
51-570-323	1	50	5.00	1.400	50.000	0.015	58.0	64.4/71.2	1	5.3	1.179	(29.947)	A	—	17	48	70	70	70
51-570-324	1	50	10.00	1.400	50.000	0.005	58.0	64.4/71.2	1	5.3	1.179	(29.947)	A	16	26	35	40	60	70

* Transient Suppression definitions and ratings
 VR = Reverse standoff voltage
 BV = Breakdown voltage
 IPP = Max. peak pulse current
 IT = Test current





Hermetically Sealed Threaded Case Filters



.375 ø T Circuit

Thread length: A - 0.187 (4.76) B - 0.312 (7.92)

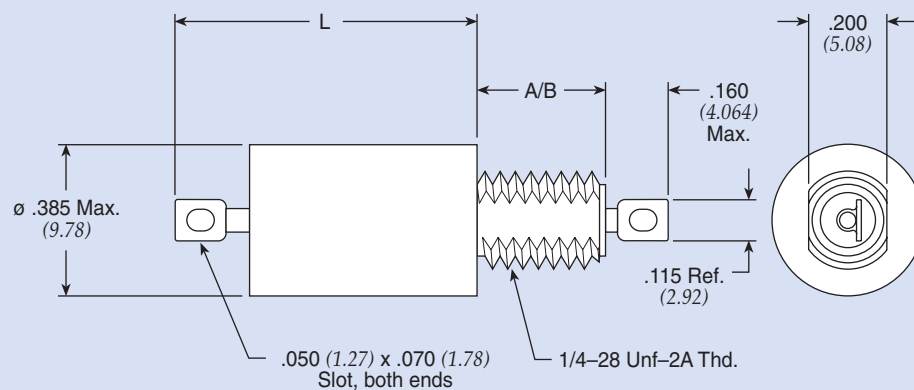


Figure 1

Note: Max. O.D. is ø .416" for Military QPL Filters.

Dimensions in inches (mm)

.375 ø T Circuit Standard Product

Part Number	MIL No	Figure	Rated Voltage				I Amp	Min Cap µF	DCR Max Ohms	Max L In (mm)	Thd Lgth	Minimum Insertion Loss (dB)							
			85°C		125°C							30 KHz	150 KHz	300 KHz	1 MHz	10 MHz	100 MHz	1 GHz	
			DC	AC	DC	AC													
SCI-2040-012	—	1	80	—	50	—	2.00	1.400	0.126	1.071 (27.203)	B	8	22	30	55	70	70	70	
SCI-2040-013	—	1	80	—	50	—	3.00	1.400	0.054	1.071 (27.203)	B	8	22	28	43	70	70	70	
† 9004-100-2017	—	1	80	—	50	—	15.0	1.400	0.005	1.179 (29.947)	A	17	27	34	44	60	70	70	
SCI-2140-004	—	1	150	—	100	—	1.00	0.500	0.500	1.070 (27.178)	A	4	25	40	70	70	70	70	
SCI-2140-006	—	1	150	—	100	—	3.00	0.500	0.054	1.071 (27.203)	A	4	19	24	39	70	70	70	
SCI-2140-007	—	1	150	—	100	—	10.0	0.500	0.010	1.071 (27.203)	A	4	19	24	34	57	70	70	
SCI-2340-009	—	1	300	—	300	125	0.25	0.150	8.000	1.071 (27.203)	B	11	57	70	70	70	70	70	
SCI-2340-004	—	1	300	—	300	125	1.00	0.150	0.500	1.071 (27.203)	A	—	13	29	59	70	70	70	
SCI-2340-013	—	1	300	—	300	125	3.00	0.150	0.054	1.071 (27.203)	B	—	8	14	29	70	70	70	
SCI-2340-014	—	1	300	—	300	125	10.0	0.150	0.010	1.071 (27.203)	B	—	8	14	24	47	70	70	

† Also available through Spectrum Control's authorized distributors.

(See MIL index on page 244-246 for complete MIL part number listing)

.375 ø T Circuit MIL Qualified Product

Part Number	M15733 MIL No	Figure	Rated Voltage				I Amp	Min Cap µF	DCR Max Ohms	Max L In (mm)	Thd Lgth	Minimum Insertion Loss (dB)							
			85°C		125°C							30 KHz	150 KHz	300 KHz	1 MHz	10 MHz	100 MHz	1 GHz	
			DC	AC	DC	AC													
51-382-609	25-0024	1	—	—	100	—	2.00	0.750	0.100	1.179 (29.947)	B	10	22	31	55	80	70	70	
51-382-603	25-0007	1	—	—	100	—	4.00	0.750	0.063	1.345 (34.163)	A	10	22	28	43	80	70	70	
† 51-351-604	26-0012	1	—	—	150	125	2.00	0.250	0.100	1.179 (29.947)	A	—	13	21	43	80	70	70	
51-351-603	26-0008	1	—	—	150	125	4.00	0.250	0.063	1.345 (34.163)	A	—	11	18	33	80	70	70	

† Also available through Spectrum Control's authorized distributors.



Hermetically Sealed Threaded Case Filters

.375 ø TT Circuit Standard Product

Part Number	MIL No	See Pg. 93 for Fig.	Rated Voltage				I Amp	Min Cap µF	DCR Max Ohms	Max L		Thd Lgth	Minimum Insertion Loss (dB)						
			85°C		125°C					In	(mm)		30 KHz	150 KHz	300 KHz	1 MHz	10 MHz	100 MHz	1 GHz
			DC	AC	DC	AC													
SCI-2060-009	—	1	—	—	50	—	0.25	1.500	12.000	1.241	(31.521)	B	70	70	70	70	70	70	
SCI-2060-013	—	1	—	—	50	—	3.00	1.500	0.081	1.241	(31.521)	B	—	33	54	70	70	70	
SCI-2060-007	—	1	—	—	50	—	10.0	1.500	0.006	1.241	(31.521)	A	15	29	35	42	55	70	
SCI-2060-014	—	1	—	—	50	—	10.0	1.500	0.006	1.241	(31.521)	B	15	29	35	42	55	70	
SCI-2160-011	—	1	—	—	100	—	1.00	1.500	0.750	1.241	(31.521)	B	12	52	70	70	70	70	
SCI-2160-012	—	1	—	—	100	—	2.00	1.500	0.189	1.241	(31.521)	B	—	33	56	70	70	70	
SCI-2160-013	—	1	—	—	100	—	3.00	1.500	0.081	1.241	(31.521)	B	—	24	54	70	70	70	
SCI-2160-014	—	1	—	—	100	—	10.0	1.400	0.006	1.241	(31.521)	B	12	25	32	42	55	70	
SCI-2360-011	—	1	—	—	300	125	1.00	0.500	0.750	1.241	(31.521)	B	—	48	70	70	70	70	
SCI-2360-006	—	1	—	—	300	125	3.00	0.500	0.080	1.241	(31.521)	A	—	12	38	70	70	70	
SCI-2360-007	—	1	—	—	300	125	10.0	0.500	0.006	1.241	(31.521)	A	5	18	24	34	55	70	
SCI-2360-014	—	1	—	—	300	125	10.0	0.500	0.006	1.241	(31.521)	B	5	18	24	34	55	70	

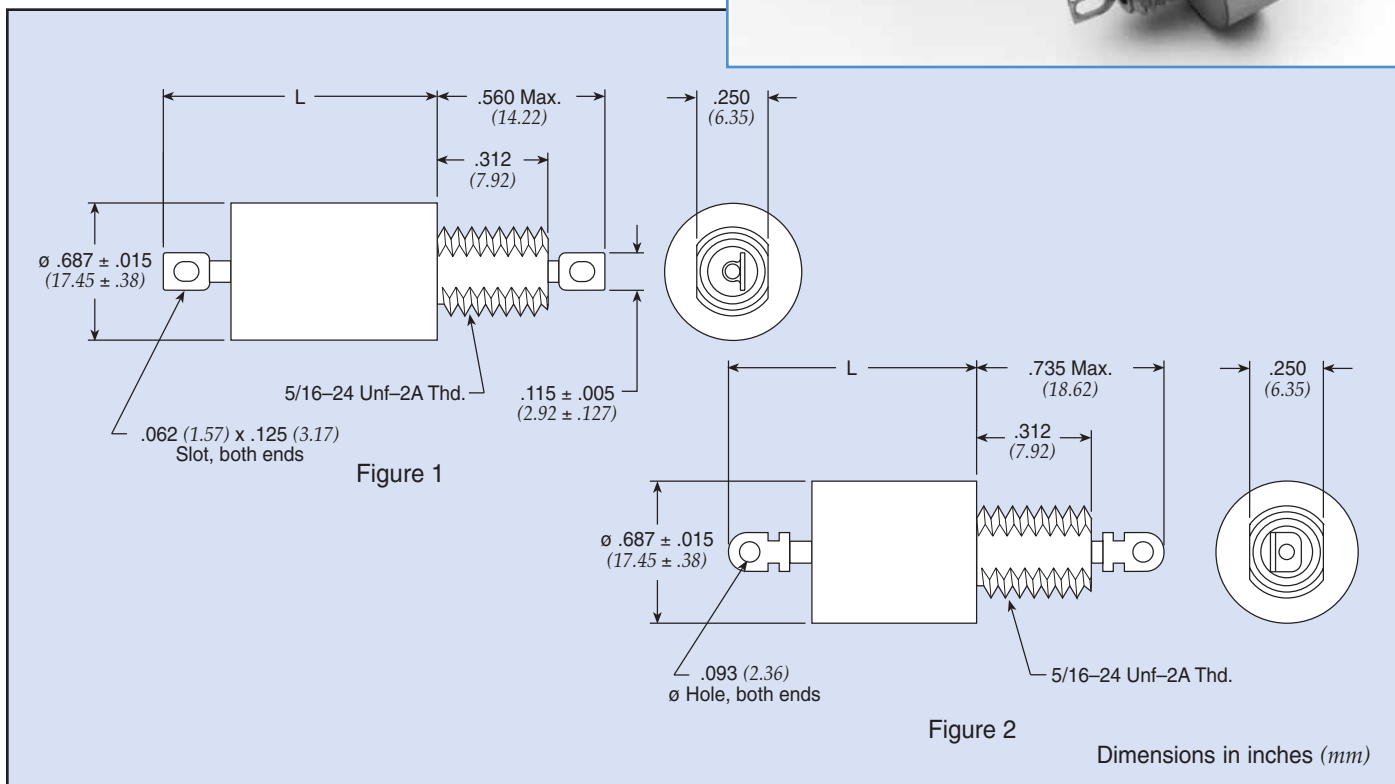
Low Pass Filters



Hermetically Sealed Threaded Case Filters



.690 ø C Circuit



Low Pass Filters

.690 ø C Circuit Standard Product

Part Number	MIL No	Figure	Rated Voltage				I Amp	Min Cap μ F	DCR Max Ohms	Max L In	Max L (mm)	Minimum Insertion Loss (dB)						
			85°C		125°C							30 KHz	150 KHz	300 KHz	1 MHz	10 MHz	100 MHz	1 GHz
			DC	AC	DC	AC												
†9932-100-6004	—	1	200	—	150	—	15	2.600	0.005	0.702	(17.831)	10	29	39	50	60	70	70
54-310-001	—	1	300	—	300	125	15	0.500	0.005	0.560	(14.224)	6	19	25	36	50	70	70
54-310-005	—	2	250	—	200	125	25	0.500	0.005	0.750	(19.050)	6	19	25	36	50	70	70
54-310-009	—	1	450	240	400	240	15	0.250	0.005	0.560	(14.224)	—	14	19	30	45	60	70
†9932-100-6005	—	1	450	240	400	240	15	0.250	0.005	0.560	(14.224)	—	14	19	30	50	70	70

.690 ø C Circuit MIL Qualified Product

Part Number	M15733 MIL No	Figure	Rated Voltage				I Amp	Min Cap μ F	DCR Max Ohms	Max L In	Max L (mm)	Minimum Insertion Loss (dB)						
			85°C		125°C							30 KHz	150 KHz	300 KHz	1 MHz	10 MHz	100 MHz	1 GHz
			DC	AC	DC	AC												
54-310-039	34-0037	1	—	—	275	125	15	0.200	0.005	0.575	(14.605)	5	15	21	31	51	70	70

.690 ø C Circuit DSCC 84084 Product

Part Number	84084 No	Figure	Rated Voltage				I Amp	Min Cap μ F	DCR Max Ohms	Max L In	Max L (mm)	Minimum Insertion Loss (dB)						
			85°C		125°C							30 KHz	150 KHz	300 KHz	1 MHz	10 MHz	100 MHz	1 GHz
			DC	AC	DC	AC												
54-310-042	-001	1	—	—	400	230	15	0.150	0.005	0.700	(17.780)	—	10	16	26	40	52	70

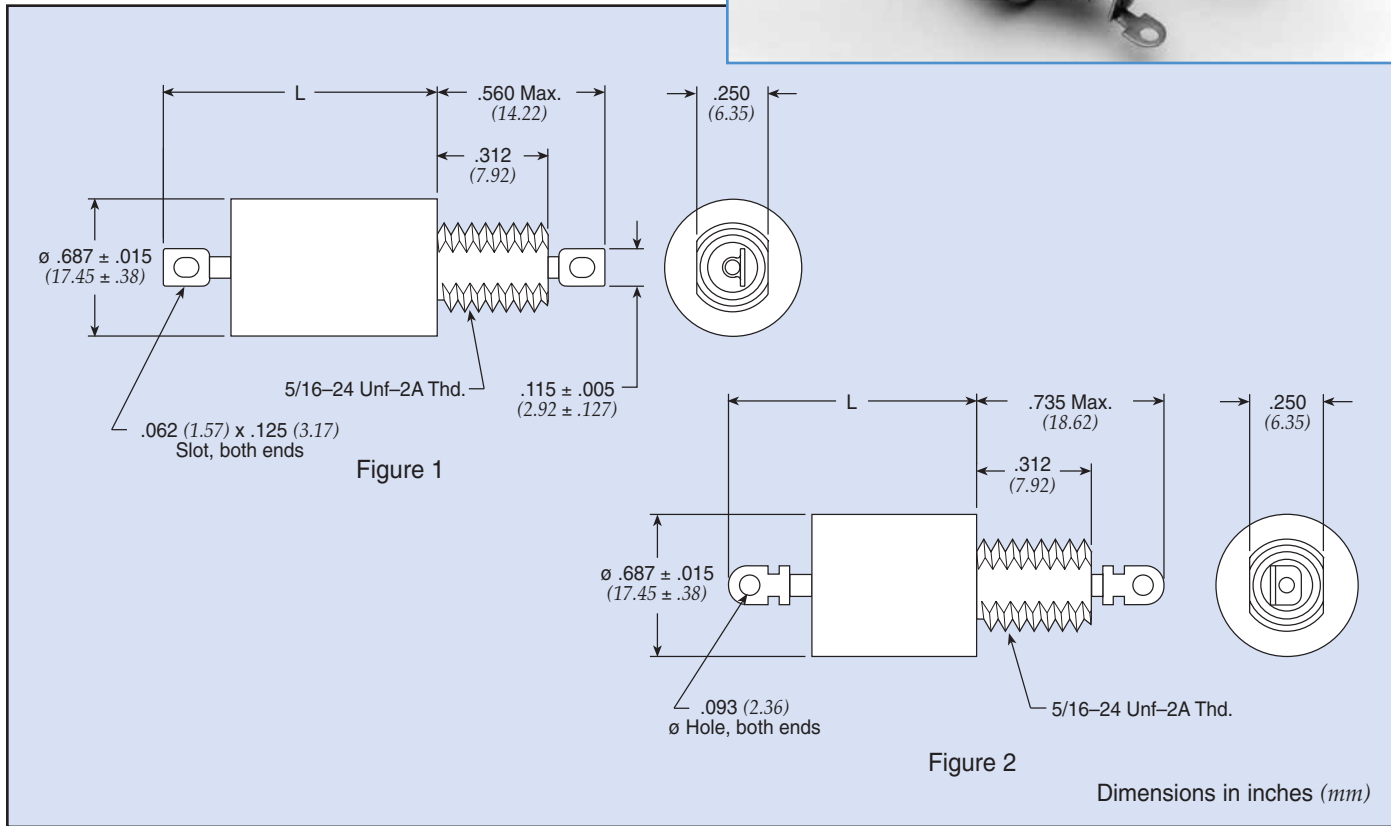
† Also available through Spectrum Control's authorized distributors.



Hermetically Sealed Threaded Case Filters



.690 ø L Circuit



Low Pass Filters

.690 ø L Circuit Standard Product

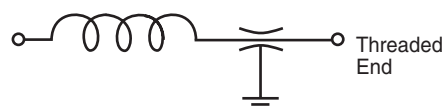
Part Number	MIL No	Figure	Rated Voltage				I Amp	Min Cap µF	DCR Max Ohms	CKT	Max L In	Max L (mm)	Minimum Insertion Loss (dB)						
			85°C		125°C								30 KHz	150 KHz	300 KHz	1 MHz	10 MHz	100 MHz	1 GHz
			DC	AC	DC	AC													
9010-100-0049	—	1	150	—	100	—	10.0	1.400	0.005	LT	0.905 (22.987)	16	24	34	44	60	70	70	
SCI-6120-008	—	1	150	—	100	—	10.0	2.600	0.006	LB	0.959 (24.359)	18	32	39	49	70	70	70	
SCI-6120-009	—	1	150	—	100	—	20.0	2.600	0.001	LB	0.905 (22.987)	18	32	39	49	60	70	70	
51-320-041	—	1	250	—	200	125	10.0	0.500	0.008	LT	0.905 (22.987)	5	19	25	35	50	70	70	
51-320-024	—	1	450	240	400	240	1.00	0.360	0.210	LT	0.905 (22.987)	5	30	38	60	70	70	70	
51-320-100	—	1	450	240	400	240	1.00	0.250	0.210	LT	0.905 (22.987)	—	21	33	55	70	70	70	
† 51-320-026	—	1	450	240	400	240	3.00	0.360	0.030	LT	0.905 (22.987)	5	19	25	45	70	70	70	
51-320-103	—	1	450	240	400	240	5.00	0.360	0.010	LB	0.905 (22.987)	—	12	18	30	60	70	70	
51-322-007	—	1	450	240	400	240	15.0	0.360	0.007	LB	0.650 (16.510)	5	19	25	35	48	62	70	
51-322-015	—	2	450	240	400	240	25.0	0.360	0.007	LT	0.750 (19.050)	5	17	23	34	48	62	70	
51-322-036	—	2	450	240	400	240	25.0	0.250	0.007	LB	0.750 (19.050)	—	10	16	29	45	60	70	
9010-100-0054	—	1	450	240	300	240	1.00	0.150	0.250	LT	0.905 (22.987)	—	14	32	52	70	70	70	
SCI-6320-004	—	1	300	—	300	125	1.00	0.400	0.300	LB	0.959 (24.359)	6	24	35	56	70	70	70	

† Also available through Spectrum Control's authorized distributors.



Hermetically Sealed Threaded Case Filters

L-C Filter LT



L-C Filter LB



(See MIL index on page 244-246 for complete MIL part number listing)

.690 ø L Circuit MIL Qualified Product

Part Number	M15733 MIL No	See Pg. 96 for Fig.	Rated Voltage				I Amp	Min Cap µF	DCR Max Ohms	CKT	Max L In	Max L (mm)	Minimum Insertion Loss (dB)						
			85°C		125°C								30 KHz	150 KHz	300 KHz	1 MHz	10 MHz	100 MHz	1 GHz
			DC	AC	DC	AC													
† 51-320-015	27-0005	1	—	—	200	125	3.00	0.250	0.033	LT	0.900	(22.860)	—	14	21	39	80	70	70
51-320-017	27-0008	1	—	—	200	125	5.00	0.250	0.016	LT	0.900	(22.860)	—	13	19	32	69	70	70
51-320-018	27-0009	1	—	—	200	125	5.00	0.250	0.016	LB	0.900	(22.860)	—	13	19	32	69	70	70
51-323-003	27-0011	1	—	—	200	125	10.0	0.250	0.005	LT	1.031	(26.187)	—	13	19	30	61	70	70
51-323-004	27-0012	1	—	—	200	125	10.0	0.250	0.005	LB	1.031	(26.187)	—	13	19	30	61	70	70
† 51-322-009	27-0014	2	—	—	200	125	15.0	0.250	0.007	LT	1.763	(44.780)	—	19	25	36	60	70	70
51-322-017	34-0002	2	—	—	200	125	20.0	0.360	0.050	LB	1.763	(44.780)	—	19	25	35	57	70	70

.690 ø L Circuit DSCC 84084 Product

Part Number	84084 No	See Pg. 96 for Fig.	Rated Voltage				I Amp	Min Cap µF	DCR Max Ohms	CKT	Max L In	Max L (mm)	Minimum Insertion Loss (dB)						
			85°C		125°C								30 KHz	150 KHz	300 KHz	1 MHz	10 MHz	100 MHz	1 GHz
			DC	AC	DC	AC													
51-320-162	-004	1	—	—	400	230	1.00	0.150	0.150	LT	0.905	(22.987)	—	19	30	46	60	70	70
51-320-163	-005	1	—	—	400	230	1.00	0.150	0.150	LB	0.905	(22.987)	—	19	30	46	60	70	70
51-320-164	-006	1	—	—	400	230	3.00	0.150	0.026	LT	0.905	(22.987)	—	11	19	36	60	70	70
51-320-165	-007	1	—	—	400	230	3.00	0.150	0.026	LB	0.905	(22.987)	—	11	19	36	60	70	70
51-320-166	-008	1	—	—	400	230	5.00	0.150	0.013	LT	0.905	(22.987)	—	10	16	28	54	70	70
51-320-167	-009	1	—	—	400	230	5.00	0.150	0.013	LB	0.905	(22.987)	—	10	16	28	54	70	70
51-320-168	-010	1	—	—	400	230	10.0	0.150	0.008	LT	0.905	(22.987)	—	10	16	25	48	70	70
51-320-169	-011	1	—	—	400	230	10.0	0.150	0.008	LB	0.905	(22.987)	—	10	16	25	48	70	70

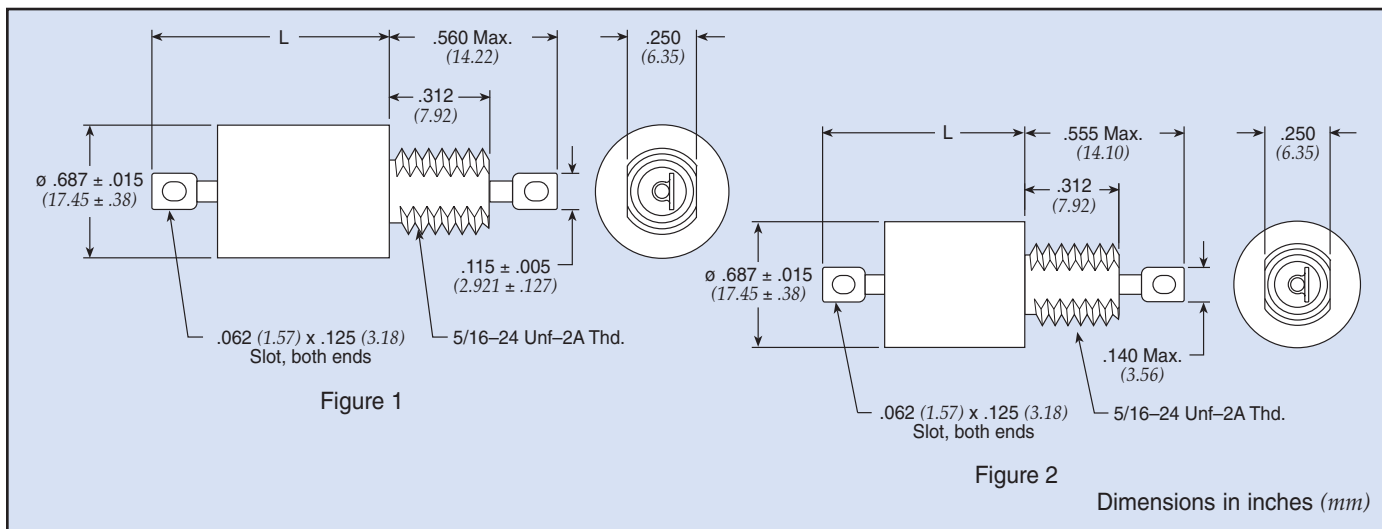
† Also available through Spectrum Control's authorized distributors.

Low Pass Filters



Hermetically Sealed Threaded Case Filters

.690 ø Pi Circuit



Low Pass Filters

.690 ø Pi Circuit Standard Product

Part Number	MIL No	Figure	Rated Voltage				I Amp	Min Cap µF	DCR Max Ohms	Max L In	Max L (mm)	Minimum Insertion Loss (dB)						
			85°C		125°C							30 KHz	150 KHz	300 KHz	1 MHz	10 MHz	100 MHz	1 GHz
51-321-322	—	1	150	—	100	—	1.00	2.800	0.210	1.195	(30.353)	35	69	70	70	70	70	70
SCI-6130-009	—	1	150	—	100	—	20.0	5.200	0.001	1.195	(30.353)	23	31	35	35	70	70	70
51-321-317	—	1	450	240	400	*240	1.00	0.720	0.400	1.195	(30.353)	—	53	70	70	70	70	70
†51-321-318	—	1	450	240	400	*240	3.00	0.720	0.030	1.195	(30.353)	—	31	51	70	70	70	70
†51-321-319	—	1	450	240	400	*240	5.00	0.720	0.020	1.195	(30.353)	—	11	30	65	70	70	70

* 0-60 Hz

.690 ø Pi Circuit MIL Qualified Product

(See MIL index on page 244-246 for complete MIL part number listing)

Part Number	M15733 MIL No	Figure	Rated Voltage				I Amp	Min Cap µF	DCR Max Ohms	Max L In	Max L (mm)	Minimum Insertion Loss (dB)						
			85°C		125°C							30 KHz	150 KHz	300 KHz	1 MHz	10 MHz	100 MHz	1 GHz
51-321-312	27-0004	1	—	—	200	125	1.00	0.500	0.250	1.195	(30.353)	—	47	65	80	80	70	70
51-323-313	27-0003	1	—	—	200	125	1.00	0.500	0.270	1.031	(26.187)	—	43	61	80	80	70	70
51-321-313	27-0010	1	—	—	200	125	5.00	0.500	0.024	1.195	(30.353)	—	10	28	64	80	70	70
†51-321-314	27-0013	1	—	—	200	125	10.0	0.500	0.008	1.195	(30.353)	—	16	18	48	80	70	70
51-321-329	34-0005	1	—	—	200	125	10.0	0.500	0.075	1.195	(30.353)	—	16	18	48	80	70	70

.690 ø Pi Circuit DSCC 84084 Product

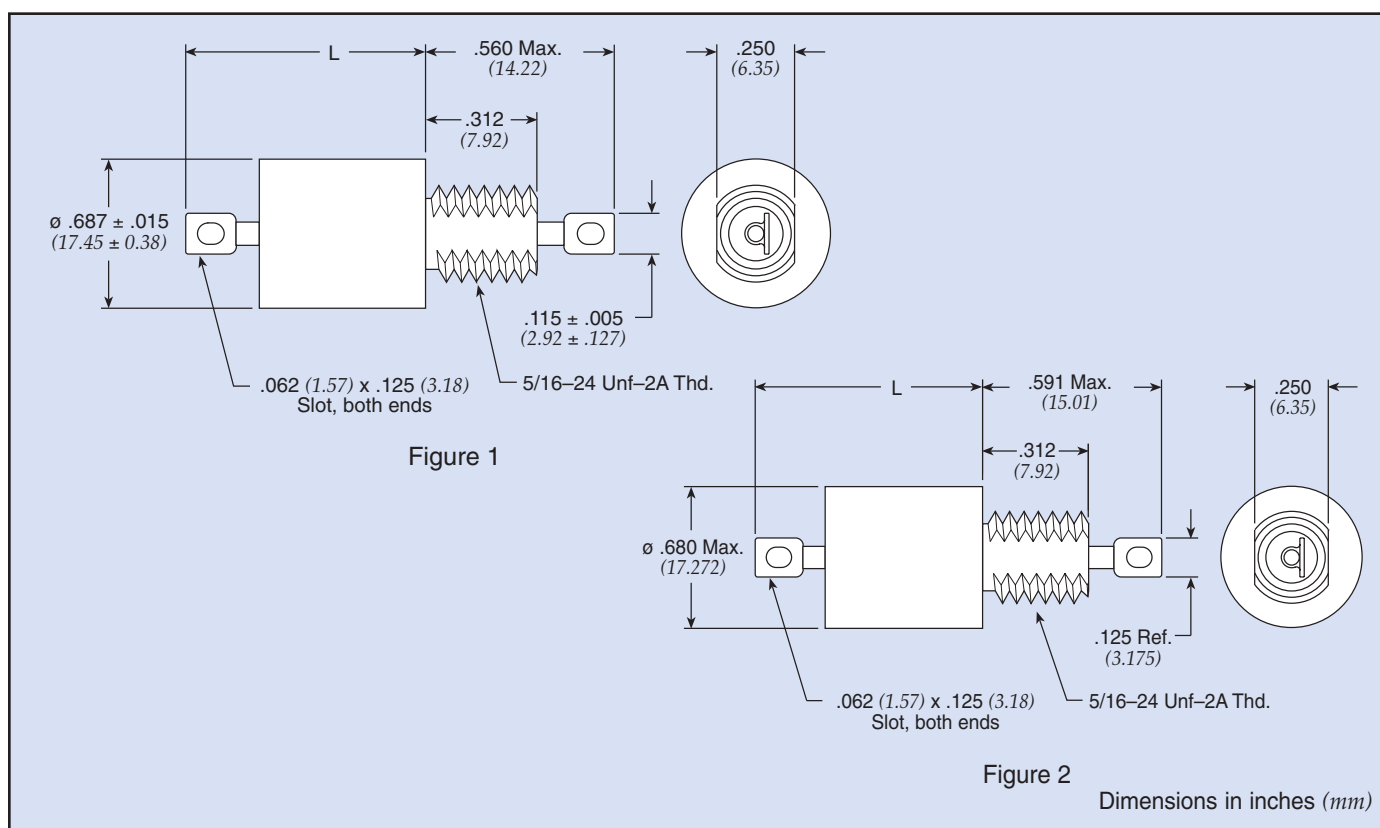
Part Number	84084 No	Figure	Rated Voltage				I Amp	Min Cap µF	DCR Max Ohms	Max L In	Max L (mm)	Minimum Insertion Loss (dB)						
			85°C		125°C							30 KHz	150 KHz	300 KHz	1 MHz	10 MHz	100 MHz	1 GHz
51-321-398	-013	2	—	—	400	230	1.00	0.200	0.150	1.200	(30.480)	—	27	46	74	80	80	80
51-321-399	-014	2	—	—	400	230	3.00	0.200	0.026	1.200	(30.480)	—	—	30	60	80	80	80
51-321-400	-015	2	—	—	400	230	5.00	0.200	0.013	1.200	(30.480)	—	—	12	50	80	80	80
51-321-401	-016	2	—	—	400	230	10.0	0.200	0.008	1.200	(30.480)	—	—	—	30	80	80	80

† Also available through Spectrum Control's authorized distributors.



Hermetically Sealed Threaded Case Filters

.690 ø T Circuit



Low Pass Filters

.690 ø T Circuit Standard Product

Part Number	MIL No	Figure	Rated Voltage				I Amp	Min Cap µF	DCR Max Ohms	Max L In	Max L (mm)	Minimum Insertion Loss (dB)						
			85°C		125°C							30 KHz	150 KHz	300 KHz	1 MHz	10 MHz	100 MHz	1 GHz
SCI-6140-004	—	1	150	—	100	—	1.00	2.600	0.600	1.195	(30.353)	23	54	70	70	70	70	
SCI-6140-006	—	1	150	—	100	—	3.00	2.600	0.100	1.195	(30.353)	21	35	46	70	70	70	
SCI-6140-007	—	1	150	—	100	—	5.00	2.600	0.060	1.195	(30.353)	21	34	41	58	70	70	
SCI-6140-009	—	1	150	—	100	—	20.0	2.600	0.002	1.195	(30.353)	21	35	41	50	60	70	
51-321-649	—	1	250	125	200	125	2.00	0.360	0.090	1.195	(30.353)	—	24	38	65	70	70	
†51-321-610	—	1	450	240	400	240	1.00	0.360	0.600	1.195	(30.353)	7	43	60	70	70		

.690 ø T Circuit MIL Qualified Product

(See MIL index on pages 244-246 for complete MIL part number listing)

Part Number	M15733 MIL No	Figure	Rated Voltage				I Amp	Min Cap µF	DCR Max Ohms	Max L In	Max L (mm)	Minimum Insertion Loss (dB)						
			85°C		125°C							30 KHz	150 KHz	300 KHz	1 MHz	10 MHz	100 MHz	1 GHz
51-321-607	27-0017	1	—	—	200	125	1.50	0.250	0.133	1.195	(30.353)	—	19	32	62	70	70	
51-321-608	27-0018	1	—	—	200	125	4.00	0.250	0.025	1.195	(30.353)	—	14	21	36	70	70	
51-321-670	54-0017	2	—	—	300	115	10.0	0.500	0.006	1.177	(29.896)	5	20	23	35	60	70	

† Also available through Spectrum Control's authorized distributors.



Value-Added Low Pass Filter Assemblies

Spectrum Control's value-added low pass filters provide flexible solutions to meet your unique design challenges. Our manufacturing process allows you to add connectors, modify terminations or add wire harnesses without adding much cost or drastically increasing lead times.

For custom requirements and exceptional needs, contact our design/manufacturing team.

Features

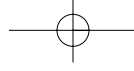
- Build-to-order low pass filters from Spectrum Control, Inc.
- Custom low pass filter assemblies

Benefits

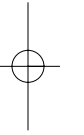
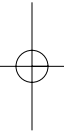
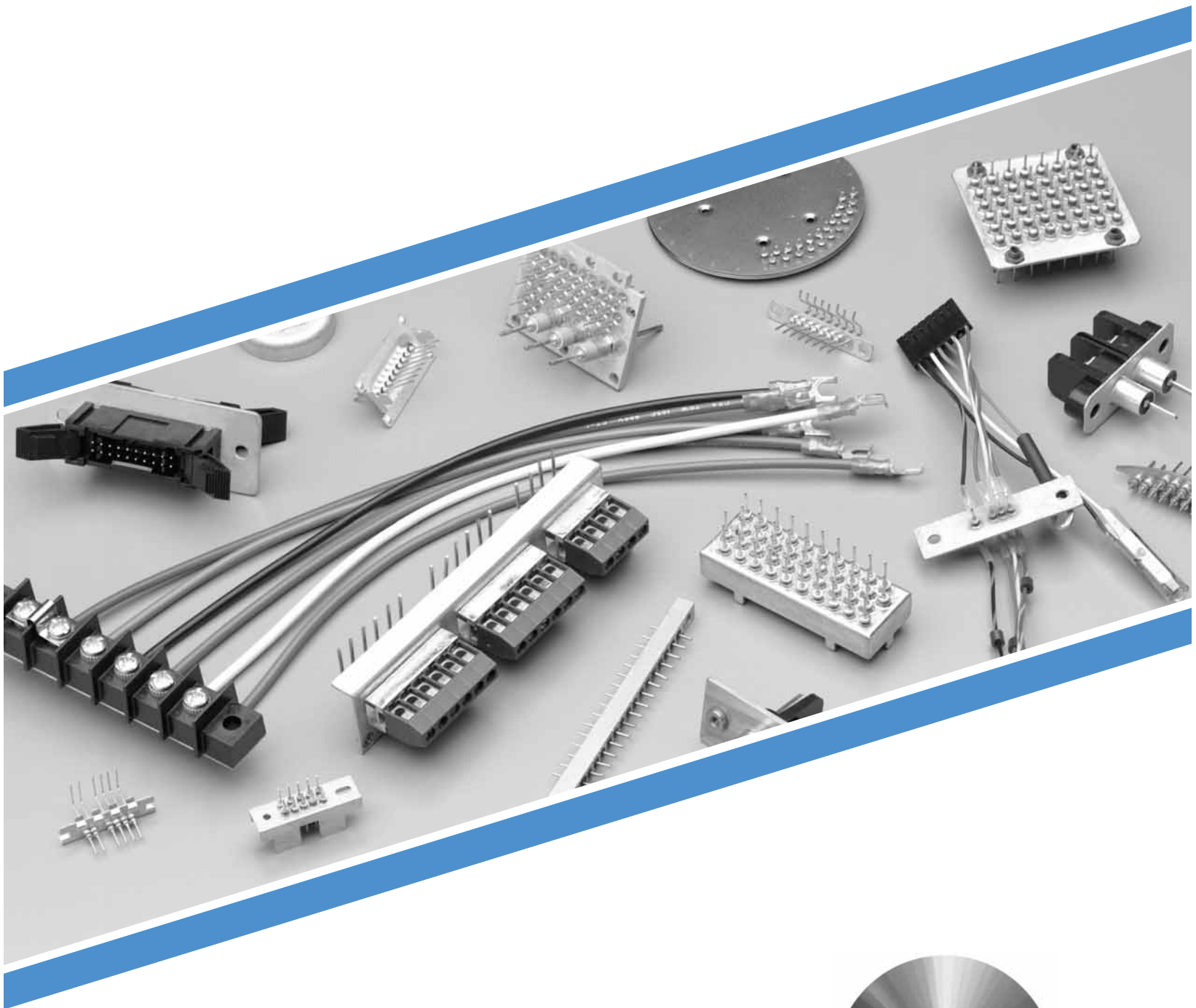
- Incorporates specific terminations, connectors or wire harnesses to accommodate your application
- Lowers the cost of acquisition and assembly
- Reduces production operations and lead times
- Allows you to stream line your bill of materials
- Reduces inventory/production costs



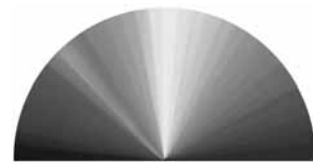
Low Pass Filters



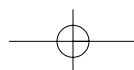
Filtered Arrays

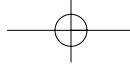


ISO 9001
CERTIFIED



SPECTRUM CONTROL INC.
A Control Products and Systems Company
Signal and Power Integrity Group





SPECTRUM CONTROL INC.

Filtered Array Selection Guide



Easy Mate® Filter Plates

- Reduce installation time and overall cost
- Eliminate mounting hardware and prepwork
- Flexibility in mounting density, 0.100" and 2mm centers
- Multiple finger ground contacts provide excellent EMI filtering from 5 MHz to 18 GHz
- Maximize real estate on PCB
- Ideal for isolation of electronic compartments

The Easy Mate® & Easy Mate® Jr. filter plate family offer one of the most innovative EMI solutions in the electronic arena. The Easy Mate® concept of multiple finger ground contacts provides the lowest path of impedance for noise to ground.

The Easy Mate® family reduces your total installed cost by eliminating the need for prep work and hardware.

Pages

Easy Mate® Filter Plates 106-109
Easy Mate® Jr. Filter Plates 110-111

Bolt-in Filter Plates

- Eliminate the need to mount filters into bulkheads
- Excellent filtering from 5 MHz to 1 GHz, outperforms surface mount filters over 50 MHz
- Mixed capacitance values and circuits
- Maximize real estate on PCB
- Total installed cost savings compared to discrete filters
- Ideal for isolation of electronic compartments

Bolt-in style filter plates provide an excellent method for electronic system interface and EMI filtering of signal and power lines. Bolt-in filter plates are available in a variety of plate sizes and up to 74 lines per plate in Hi-Density, and 60 pins per plate in standard density configuration.

Bolt-in Filter Plates 112-115

Custom Filter Plates & Terminal Blocks

- Custom assemblies with varying cable lengths and terminations
- Integrate with other functional devices to supply a complete turnkey assembly
- Perform EMC evaluations on complete equipment and identify proper placement of EMI/RFI filtering components
- Custom High Reliability assemblies

Spectrum Control offers a number of value added features designed to specifically meet your manufacturing needs. Spectrum Control can build and provide product that meets the most stringent High Reliability specifications.

Shrouded Latch Filter Plates 116-117
Custom Filter Plates 118-119
Filter Selection 120
Filter Plate Design Inquiry Form. 121
Custom Terminal Blocks. 127
Terminal Block Design Inquiry Form. 127

Barrier Strip Filtered Terminal Blocks

- Rugged construction provides protection to filtering element
- 2 to 6 terminals in a single row available
- Cost effective solution for backplane EMI leakage problems
- 20 Amp rating
- UL recognized & CSA approved for DC voltages

The Barrier style terminal block is designed to provide excellent EMI filtering for both DC power and signal/control lines. These terminal blocks are available in sizes from 2 through 6 positions. Applications include power supplies in telecommunications equipment, metering, industrial controls, instrumentation and heavy equipment controls.

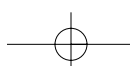
Barrier Strip Filtered Terminal Blocks 122-123

PCB Mount Filtered Terminal Blocks

- Fast and easy PCB installation and maintenance
- Cost effective solution for industrial interconnection EMI filtering problems
- Available with metric (5mm) or U.S. (.200") pin spacing
- 2 to 12 terminals available

The PCB terminal block is designed to provide excellent EMI filtering of low voltage DC power and signal/control lines. These terminal blocks use a screw clamp system with wire protector, which provides for quick and simple installation. Applications include power supplies in telecommunications equipment, metering, industrial controls, instrumentation and heavy equipment controls.

PCB Mount Filtered Terminal Blocks 125-126





Filter Plates

Eliminating EMI/RFI interference has become a stringently enforced matter and needs to be considered at the early stages of design for all electronic systems. Both internal and external interference sources have a major impact on the successful EMC performance of a new system.

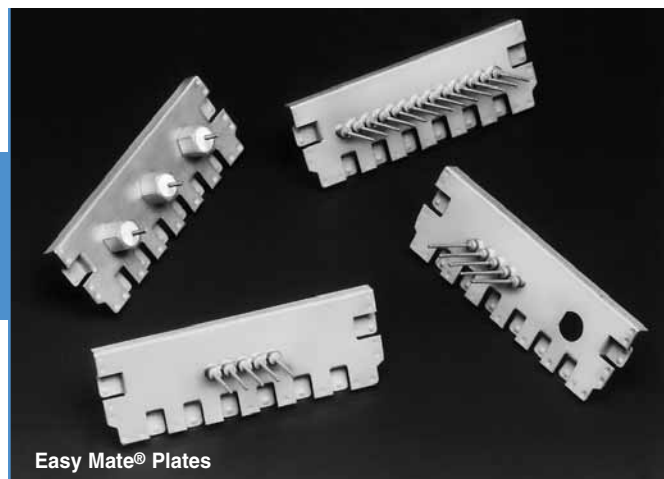
Shielding alone is unsatisfactory in shunting unwanted harmonics, conducted or radiated, on power/ control lines that run through compartments of an electronic enclosure. This is particularly applicable in systems operating at frequencies above 50 MHz. Isolation and the incorporation of feed-thru filters (Filter Plates) to facilitate entering or leaving sensitive compartments in an assembly are excellent methods to bring electronic interdependent functions/systems into compliance.

Filter Plates allow a means of interfacing voltage and/or data (controlling instructions) to distant areas of a system without compromising its performance. Filter Plates provide excellent isolation from 5 MHz to 18 GHz and beyond, reduce the labor involved for installation, as well as reduce the risk of damaging filter elements during installation. Connecting to these Filter Plates is easily accomplished through several methods, either ribbon style connectors, harnesses, hard wiring or directly soldering leads at a 90° angle to the printed circuit board.

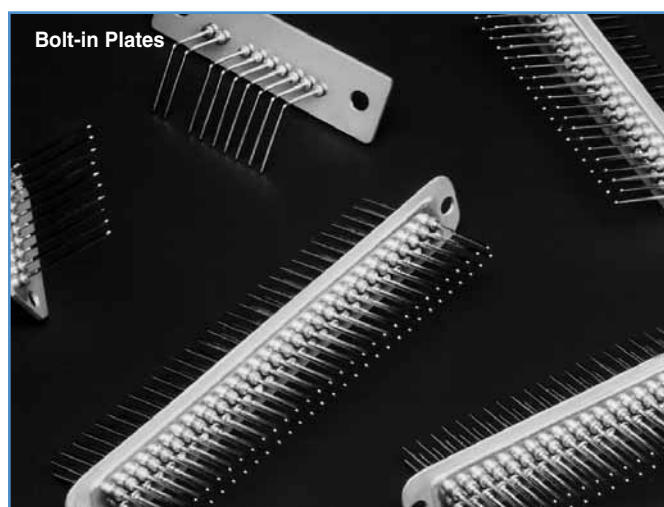
The drawings on pages 107, 113 and 117 illustrate how filter plates are incorporated into an electronic system.

Filter Plate Advantages

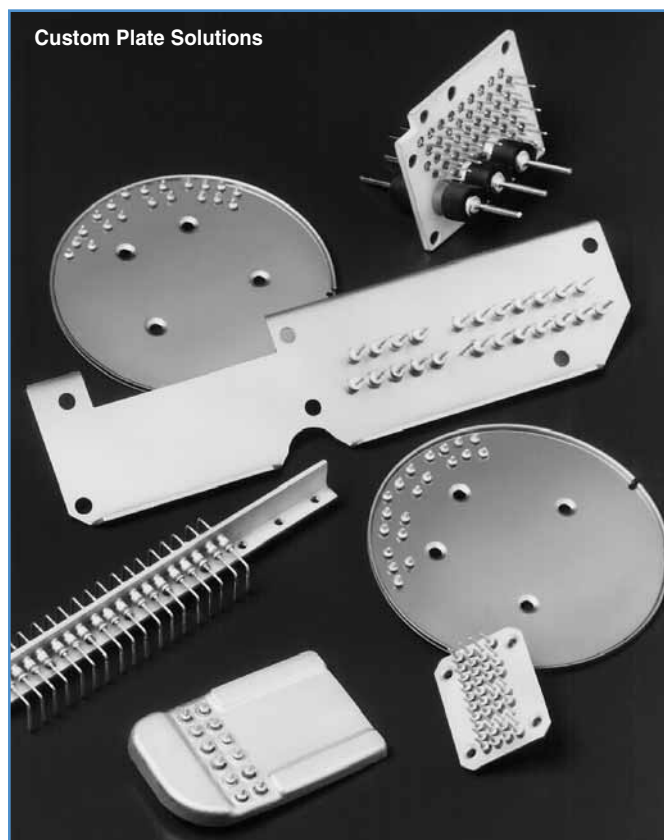
- Provide an EMI filtered signal line between electronic system modules
- Reduce cost . . . economical method to meet EMC requirements
- Reduce labor . . . eliminate need to assemble filters into a bulkhead
- Outperform surface mount EMI filters at frequencies above 50 MHz
- Reduce risk of damage to filter elements due to thermal shock and installation
- Improve reliability . . . every filter plate is 100% tested for key parameters
- Maximize real estate on PCB
- Mixed schematics in a single filter plate package



Easy Mate® Plates



Bolt-in Plates

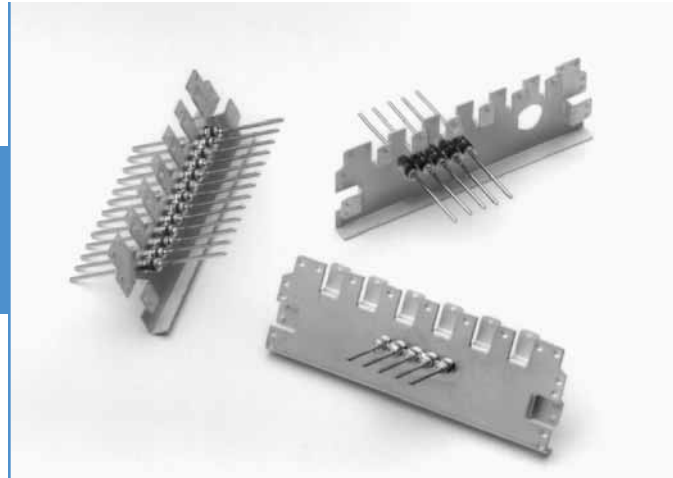


Custom Plate Solutions

Filtered Arrays



Easy Mate® Filter Plates



Spectrum Control developed a new EMI/RFI filter plate, Easy Mate®, which simplifies installation and eliminates the need for mounting hardware. The Easy Mate®, **patented**, is designed to “snap” into the chassis of electronic systems, reducing the labor required to complete a plate installation. The drawing on page 105 shows the Easy Mate® design.

These plates are available in two lengths and in both standard density centers (.100") and hi-density centers (2mm). Standard density Easy Mate® plates offer up to 26 lines per plate in a double row configuration, while hi-density plates offer up to 32 lines. Custom sizes for Easy Mate® plates are available.

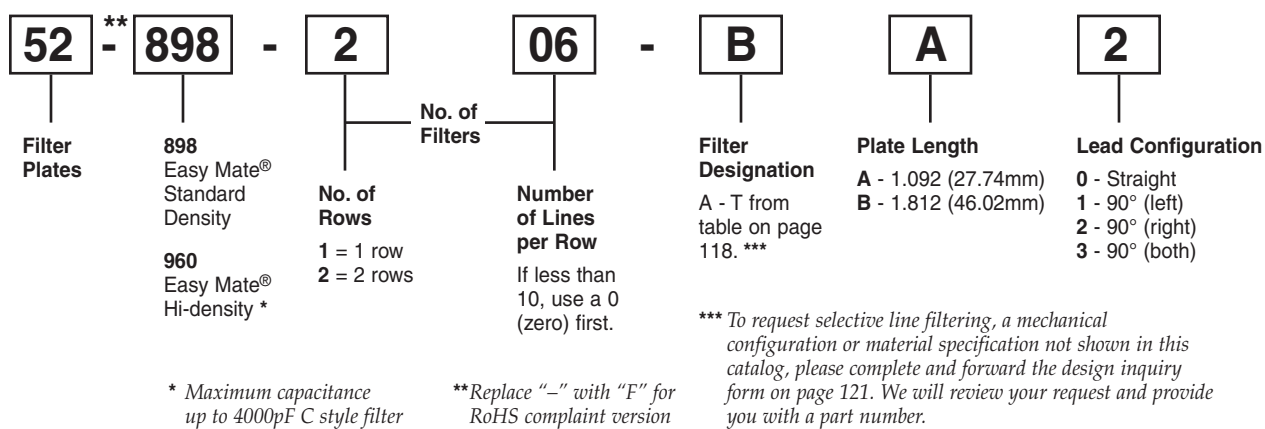
Easy Mate® Advantages

- Reduces installation time and overall cost
- Eliminates mounting hardware and prepwork
- Flexibility for 1 or 2 rows and standard density centers (.100") or hi-density centers (2mm)
- Improves overall quality and reliability
- Multiple dimpled finger ground contacts provides excellent long term EMI filtering from 5 MHz to 18 GHz
- Outperforms surface mount devices
- Maximize real estate on PCB
- Mixed capacitance values and schematics
- Ideal for isolation of electronic compartments
- Available in RoHS compliant versions

Ordering Information

Example: 52-898-206-B A 2

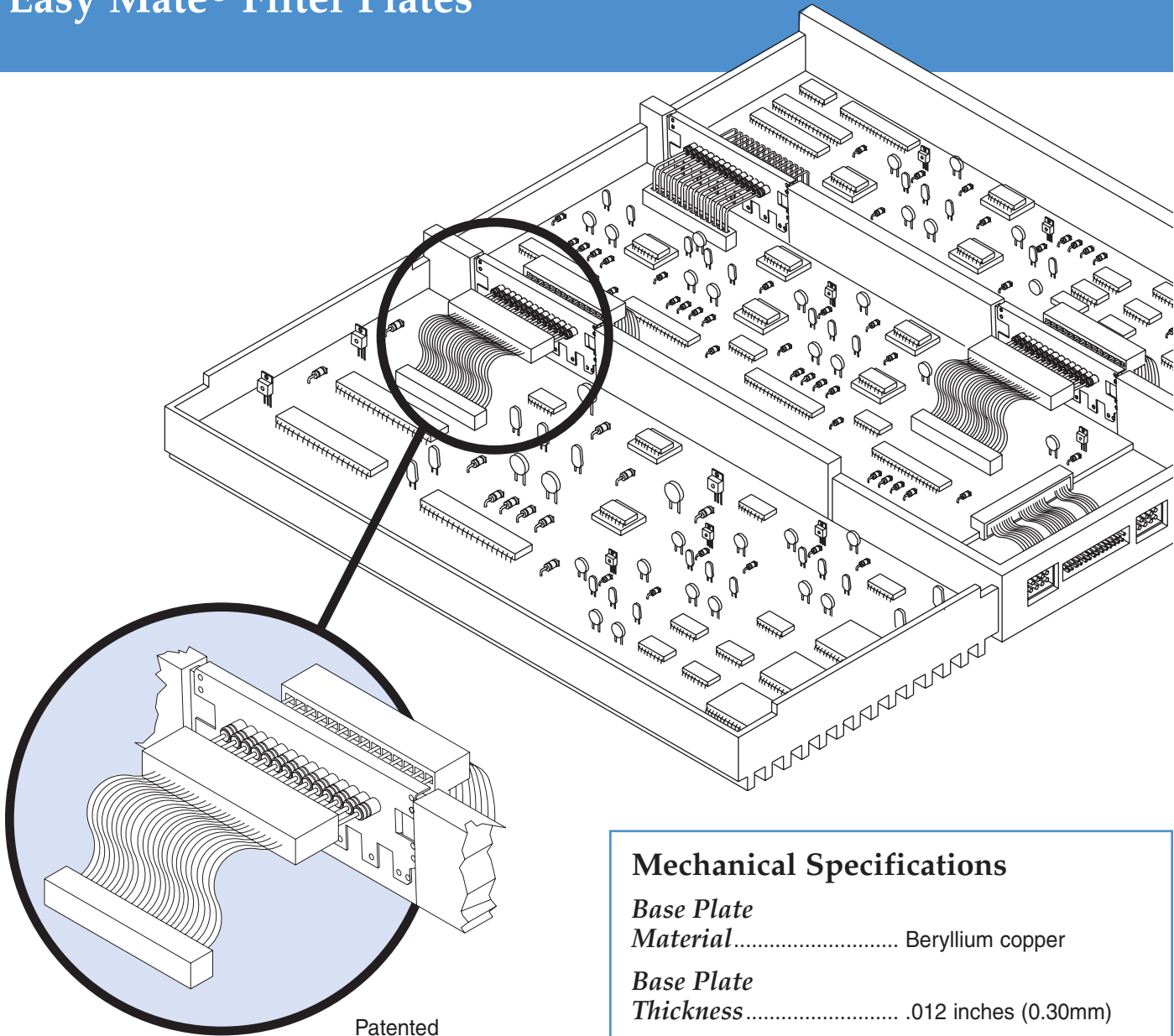
The part number shown represents an Easy Mate® filter plate with 2 rows, 6 filters per row. Filters are C style with a capacitance value of 100pF. The plate length is 1.092", and the leads are bent 90° to the right side.



Filtered Arrays



Easy Mate® Filter Plates



Patented

Soldering to Filter Terminals

- Use a temperature controlled soldering iron with tip temperature of 525 ± 10° F (275 ± 5° C).
- Use an SN 63 RMA flux core solder.
- Make mechanical wire connection.
- Use heat sink next to filter body where possible.
- Clean soldering iron tip.
- Clip end of solder—remove 0.5" (12.7mm) to expose flux for soldering.
- Apply soldering iron to wire/flag junction at wetted solder tip region of iron (Wetted Bridge Method). Immediately apply solder. Dwell time for soldering iron tip on product should be 3-5 seconds maximum. (For non-RoHS versions only)

Mechanical Specifications

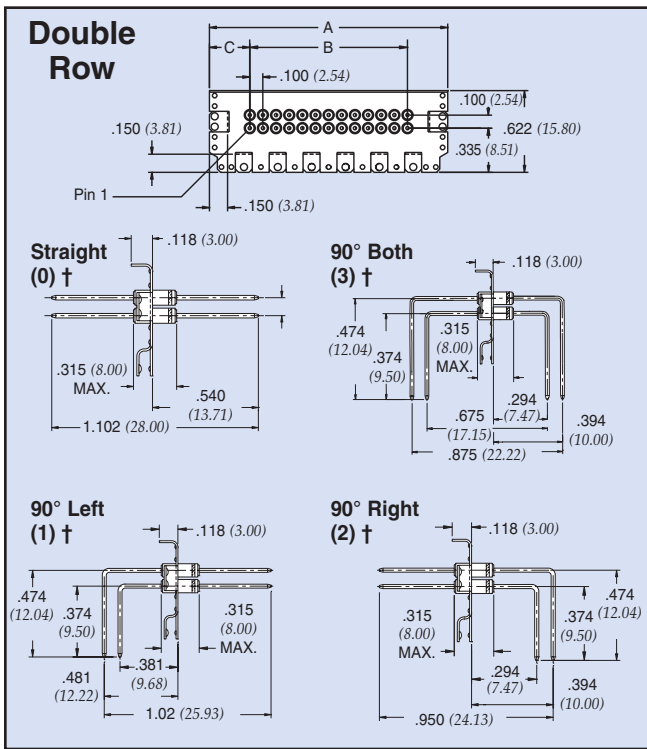
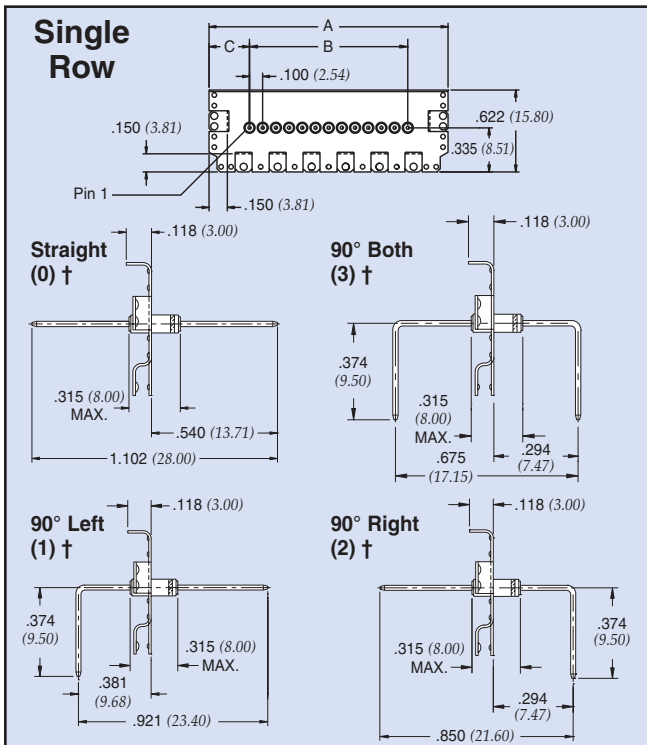
Base Plate Material	Beryllium copper
Base Plate Thickness012 inches (0.30mm)
Plating	Tin, RoHS version will be silver
Lead Material	Copper alloy
Lead Plating	Gold plate
Lead Diameter	ø .025" (.64mm) for 0.100" centers (2.54mm)
	ø .020 (.51mm) for 0.079" centers (2.00mm)
Current Rating	5 Amps for .025" ø (.64mm)
	3 Amps for .020" ø (.51mm)

Filtered Arrays



Easy Mate® Filter Plates Standard Density Centers .100"

Dimensions: inches and (mm)
Lead Spacing: .100" (2.54 mm)



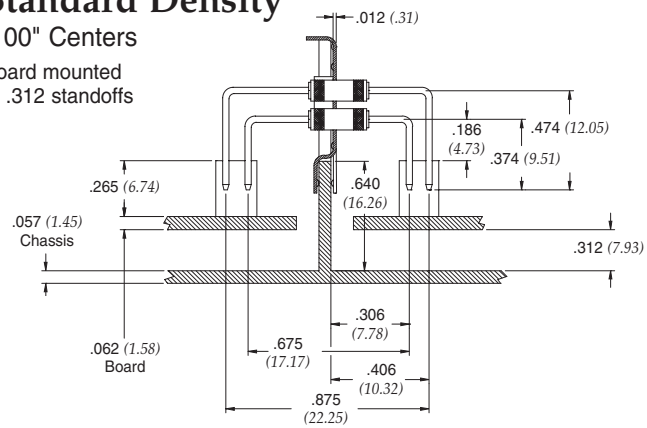
Patented
† Refers to lead configuration for part number/ordering information

Plate length (A)	No. of filtered lines per row	52-898-XXX-XXX	
		B	C
1.092 (27.74)	1	0 (0.00)	0.496 (12.60)
	2	0.1 (2.54)	0.496 (12.60)
	3	0.2 (5.08)	0.396 (10.06)
	4	0.3 (7.62)	0.396 (10.06)
	5	0.4 (10.16)	0.296 (7.52)
	6	0.5 (12.70)	0.296 (7.52)
1.812 (46.02)	1	0 (0.00)	0.906 (23.01)
	2	0.1 (2.54)	0.806 (20.47)
	3	0.2 (5.08)	0.806 (20.47)
	4	0.3 (7.62)	0.706 (17.93)
	5	0.4 (10.16)	0.706 (17.93)
	6	0.5 (12.70)	0.606 (15.39)
	7	0.6 (15.24)	0.606 (15.39)
	8	0.7 (17.78)	0.506 (12.85)
	9	0.8 (20.32)	0.506 (12.85)
	10	0.9 (22.86)	0.406 (10.31)
	11	1.0 (25.40)	0.406 (10.31)
	12	1.1 (27.94)	0.306 (7.77)
	13	1.2 (30.48)	0.306 (7.77)

Typical Mounting Applications

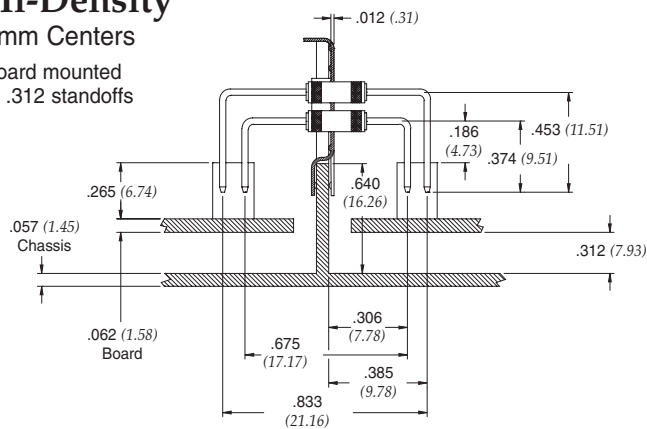
Standard Density .100" Centers

Board mounted to .312 standoffs



Hi-Density 2mm Centers

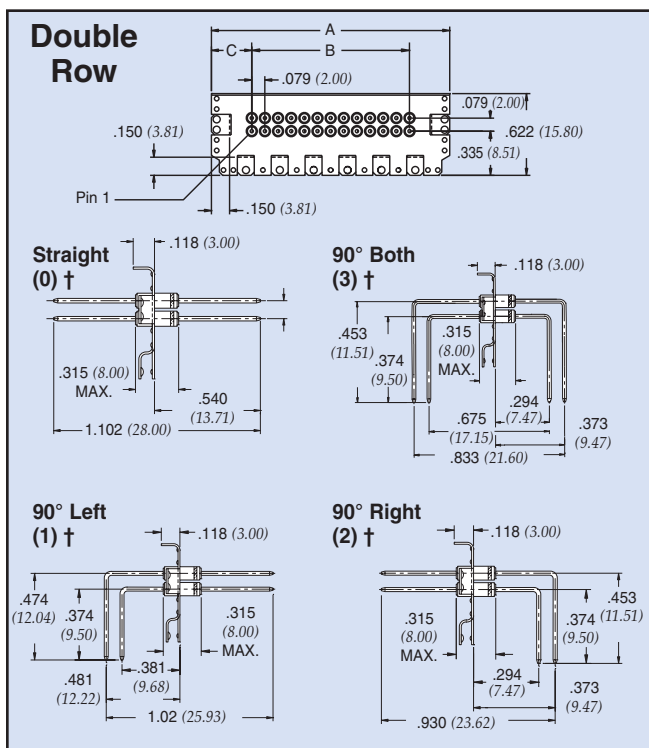
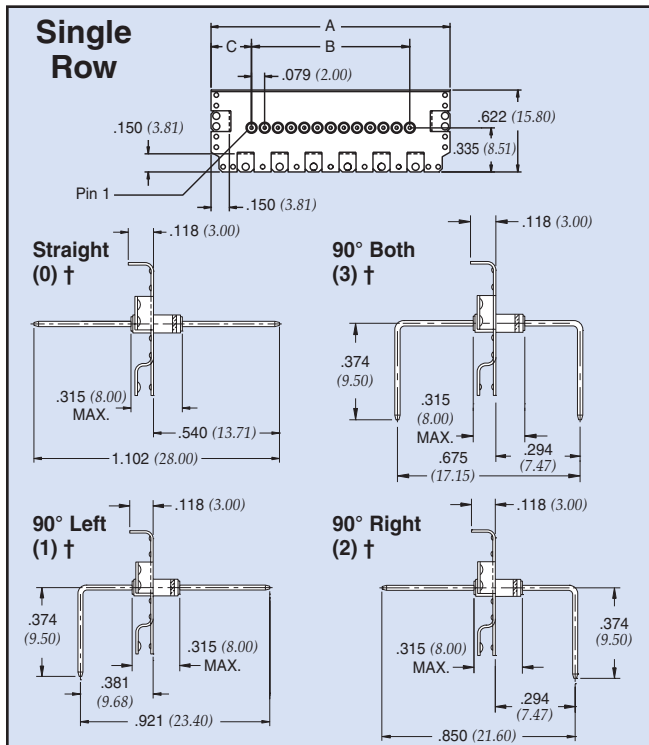
Board mounted to .312 standoffs





Easy Mate® Filter Plates Hi-Density Centers 2mm

Dimensions: inches and (mm)
Lead Spacing: .079" (2.00 mm)



Patented
† Refers to lead configuration for part number/ordering information

Plate length (A)	No. of filtered lines per row	52-960-XXX-XXX	
		B	C
1.092 (27.74)	2	0.079 (2.00)	0.463 (11.77)
	3	0.157 (4.00)	0.463 (11.77)
	4	0.236 (6.00)	0.385 (9.77)
	5	0.315 (8.00)	0.385 (9.77)
	6	0.394 (10.00)	0.306 (7.77)
1.812 (46.02)	7	0.472 (12.00)	0.306 (7.77)
	2	0.079 (2.00)	0.866 (22.00)
	3	0.157 (4.00)	0.787 (20.00)
	4	0.236 (6.00)	0.787 (20.00)
	5	0.315 (8.00)	0.709 (18.00)
	6	0.394 (10.00)	0.709 (18.00)
	7	0.472 (12.00)	0.630 (16.00)
	8	0.551 (14.00)	0.630 (16.00)
	9	0.630 (16.00)	0.551 (14.00)
	10	0.709 (18.00)	0.551 (14.00)
	11	0.787 (20.00)	0.472 (12.00)
12	0.866 (22.00)	0.472 (12.00)	
13	0.945 (24.00)	0.394 (10.00)	
14	1.024 (26.00)	0.394 (10.00)	
15	1.102 (28.00)	0.315 (8.00)	
16	1.181 (30.00)	0.315 (8.00)	

Easy Mate® Chassis Cut-out Design Patent Pending

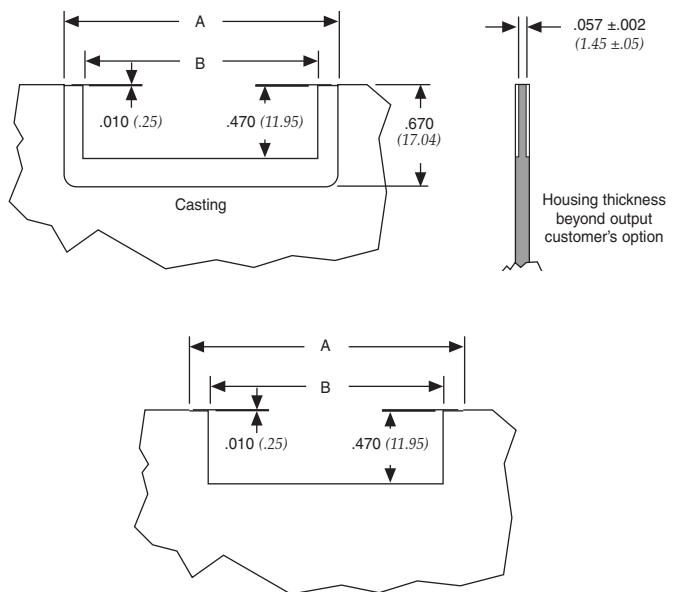


Plate Length	A	B
1.092 (27.74)	1.117 (28.41)	0.816 (20.75)
1.812 (46.02)	1.837 (46.71)	1.535 (39.04)

Filtered Arrays

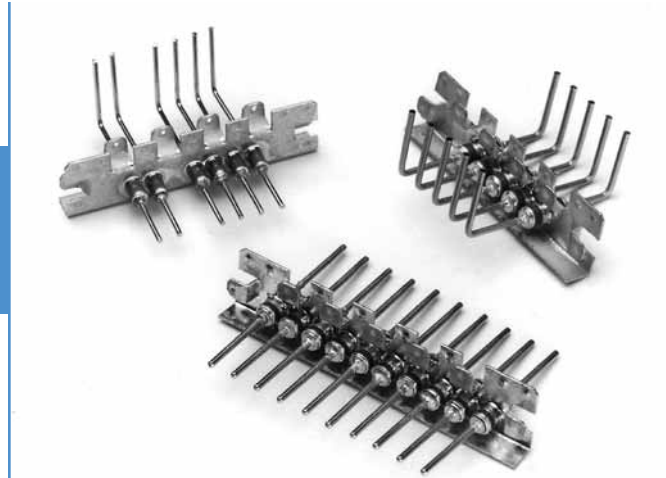


Easy Mate® Jr. Filter Plates

Spectrum Control has expanded its popular Easy Mate® family by adding two more package sizes. These new sizes are lower profile and facilitate installation of feed-thru filters into small hardware applications such as PCS linear power amplifiers and RF transmitters. The Easy Mate® Jr. is available in two plate lengths .990" and 1.240" and in standard (.100") and high density centers (2mm).

Easy Mate® Jr. Advantages

- Reduces installation time and overall cost
- Eliminates mounting hardware and prepwork
- Increase flexibility with standard density centers (.100") or high density centers (2mm)
- Improves overall quality and reliability
- Multiple finger ground contacts provide excellent EMI filtering from 5 MHz to 18 GHz
- Outperforms surface mount devices
- Maximize real estate on PCB
- Mixed capacitance values and schematics
- Ideal for isolation of electronic compartments
- Available in RoHS compliant versions



Mechanical Specifications

Base Plate Material	Beryllium copper
Base Plate Thickness010 inches (.25mm)
Plating	Tin, RoHS version will be silver
Lead Material	Copper alloy
Lead Plating	Gold plate
Lead Diameter	ø .025" (.64mm) for 0.100" centers (2.54mm) ø .020 (.51mm) for 0.079" centers (2.00mm)
Current Rating	5 Amps for .025" ø (.64mm) 3 Amps for .020" ø (.51mm)

Filtered Arrays

Ordering Information

Example: 52-978-1-06-B-A-2

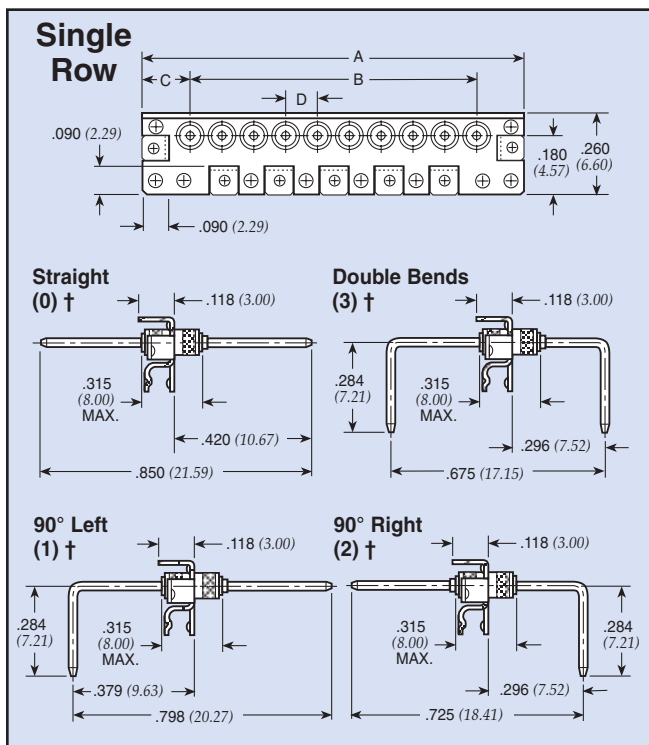
The part number shown represents an Easy Mate® Jr. filter plate with 6 filters. Filters are C style with a capacitance value of 100pF. The plate length is .990", and the leads are bent 90° to the right side.

52	- **	978	-	1	-	06	-	B	-	A	-	2
Filter Plates		978 Easy Mate® Jr. Standard Density		No. of Filters No. of Rows 1 = 1 row		Number of Lines per Row If less than 10, use a 0 (zero) first.		Filter Designation A - T from table on page 118. ***		Plate Length A - .990 (25.15mm) B - 1.240 (31.49mm)		Lead Configuration 0 - Straight 1 - 90° (left) 2 - 90° (right) 3 - 90° (both)
		979 Easy Mate® Jr. Hi-density *										
		* Maximum capacitance up to 4000pF C style filter				**Replace "-" with "F" for RoHS complaint version						*** To request selective line filtering, a mechanical configuration or material specification not shown in this catalog, please complete and forward the design inquiry form on page 121. We will review your request and provide you with a part number.



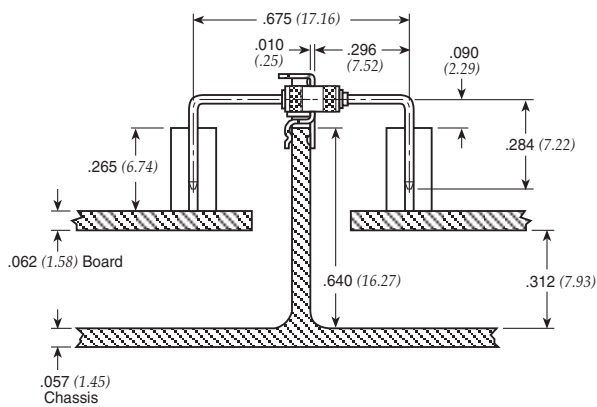
Easy Mate® Jr. Filter Plates

Dimensions: inches and (mm)



† Refers to lead configuration for part number/ordering information

Typical Mounting Application



Standard Density Centers .100" (D)

Plate length (A)	No. of filtered lines per row	52-978-XXX-XXX	
		B	C
.990 (25.15)	2	0.1 (2.54)	0.395 (10.03)
	3	0.2 (5.08)	0.395 (10.03)
	4	0.3 (7.62)	0.295 (7.49)
	5	0.4 (10.16)	0.295 (7.49)
	6	0.5 (12.70)	0.195 (4.95)
1.24 (31.49)	7	0.6 (15.24)	0.195 (4.95)
	2	0.1 (2.54)	0.570 (14.48)
	3	0.2 (5.08)	0.470 (11.94)
	4	0.3 (7.62)	0.470 (11.94)
1.24 (31.49)	5	0.4 (10.16)	0.370 (9.40)
	6	0.5 (12.70)	0.370 (9.40)
	7	0.6 (15.24)	0.270 (6.86)
	8	0.7 (17.78)	0.270 (6.86)
	9	0.8 (20.32)	0.170 (4.32)
	10	0.9 (22.86)	0.170 (4.32)

High Density Centers 2mm (D)

Plate length (A)	No. of filtered lines per row	52-979-XXX-XXX	
		B	C
.990 (25.15)	2	0.079 (2.00)	0.417 (10.58)
	3	0.157 (4.00)	0.417 (10.58)
	4	0.236 (6.00)	0.338 (8.58)
	5	0.315 (8.00)	0.338 (8.58)
	6	0.394 (10.00)	0.259 (6.58)
1.24 (31.49)	7	0.472 (12.00)	0.259 (6.58)
	2	0.079 (2.00)	0.580 (14.75)
	3	0.157 (4.00)	0.502 (12.75)
	4	0.236 (6.00)	0.502 (12.75)
1.24 (31.49)	5	0.315 (8.00)	0.423 (10.75)
	6	0.394 (10.00)	0.423 (10.75)
	7	0.472 (12.00)	0.344 (8.75)
	8	0.551 (14.00)	0.344 (8.75)
	9	0.630 (16.00)	0.266 (6.75)
	10	0.709 (18.00)	0.266 (6.75)

Filtered Arrays

Easy Mate® Jr. Chassis Cut-out Design Patented

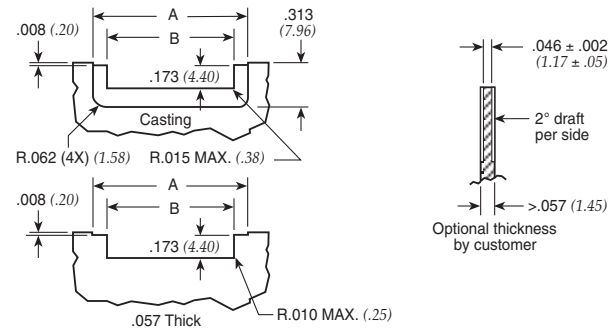
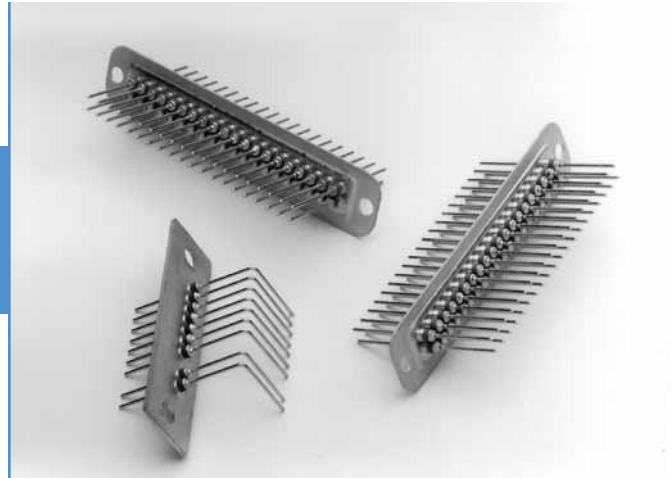


Plate Length	A	B
.990 (25.15)	1.015 (25.78)	0.834 (21.18)
1.24 (31.49)	1.265 (32.13)	1.084 (27.53)



Bolt-in Style Filter Plates

The Bolt-in style plate provides an excellent method for electronic system interface and EMI filtering. Bolt-in filter plates are available in a variety of plate sizes and up to 74 lines per plate in hi-density (2mm) and 60 pins per plate in standard density (.100"). On the larger plate sizes, Spectrum ensures structural integrity through a unique, patent pending, coining process. The drawing on page 111 shows an electronic system utilizing Bolt-in style filter plates.



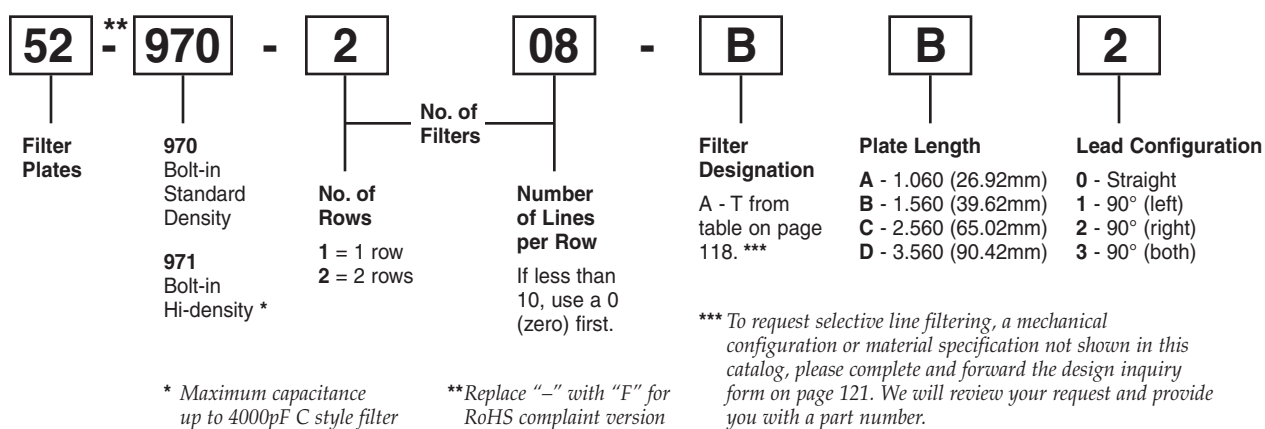
Bolt-in Filter Plate Advantages

- Eliminates the need to assemble filters into a bulkhead
- Excellent filtering from 5 MHz to 1 GHz
- Total cost savings vs. customer installed discrete filter elements
- Ideal for isolation of electronic compartments to suppress EMI
- Outperforms surface mount filters over 50 MHz
- Improved reliability
- Mixed capacitance values and schematics
- Maximize real estate on PCB
- Available in RoHS compliant versions

Ordering Information

Example: 52-970-208-BB2

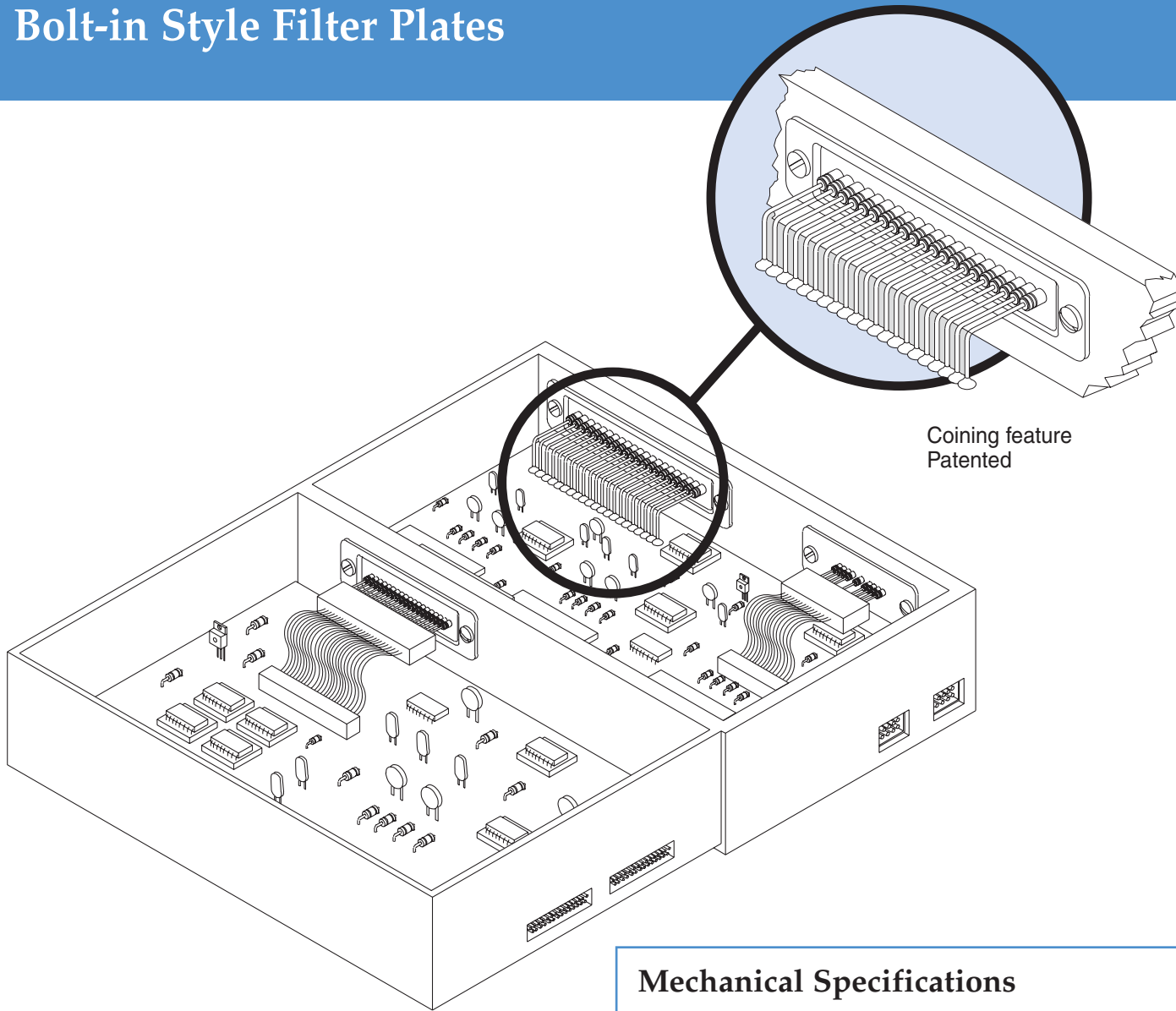
The part number shown represents a Bolt-in style filter plate with 2 rows, 8 filters per row. Filters are C style with a capacitance value of 100pF. The plate length is 1.560", and the leads are bent 90° to the right side.



Filtered Arrays



Bolt-in Style Filter Plates



Mechanical Specifications

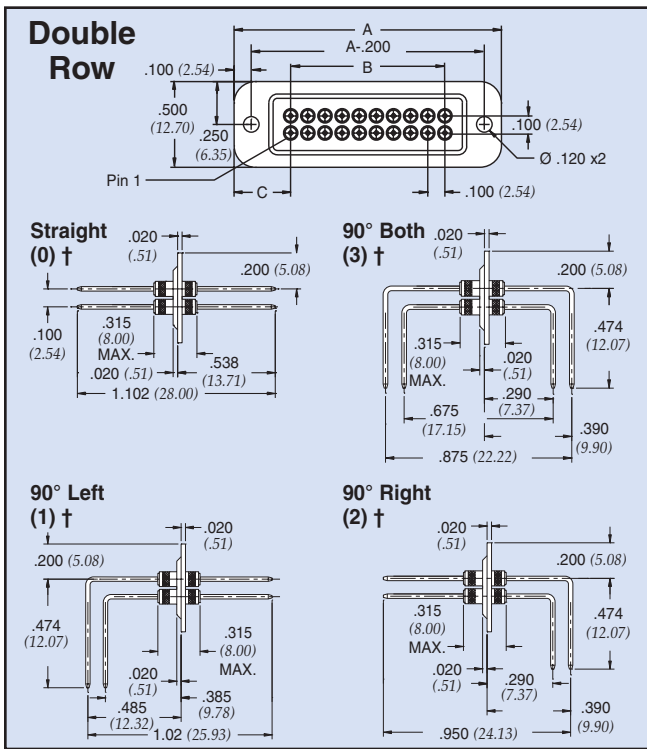
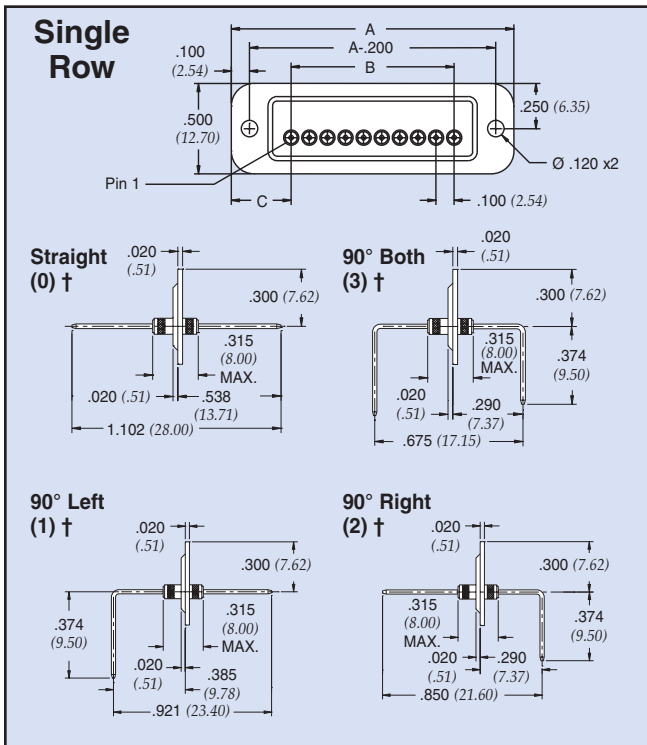
Base Plate	
Material	Brass UNS C26000/C27000
Base Plate	
Thickness020 inches (.51mm)
Plating	
	Tin, RoHS version will be silver
Lead Material	Copper alloy
Lead Plating	Gold plate
Lead Diameter	
	ø .025" (.64mm) for 0.100" centers (2.54mm)
	ø .020 (.51mm) for 0.079" centers (2.00mm)
Current Rating	
	5 Amps for .025" (.64mm) ø 3 Amps for .020" (.51mm) ø

Filtered Arrays



Bolt-in Style Filter Plates Standard Density Centers .100"

Dimensions: inches and (mm)
Lead Spacing: .100" (2.54 mm)



Coining feature patented
† Refers to lead configuration for part number/ordering information

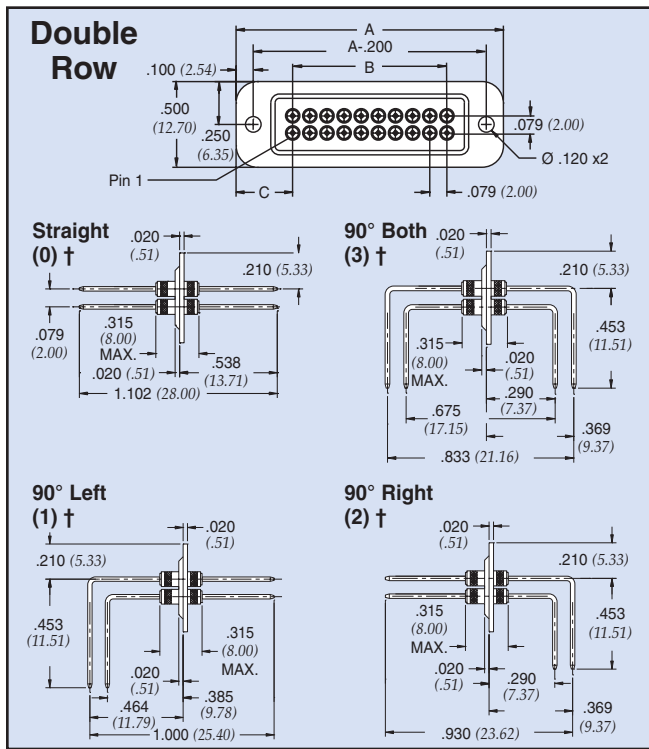
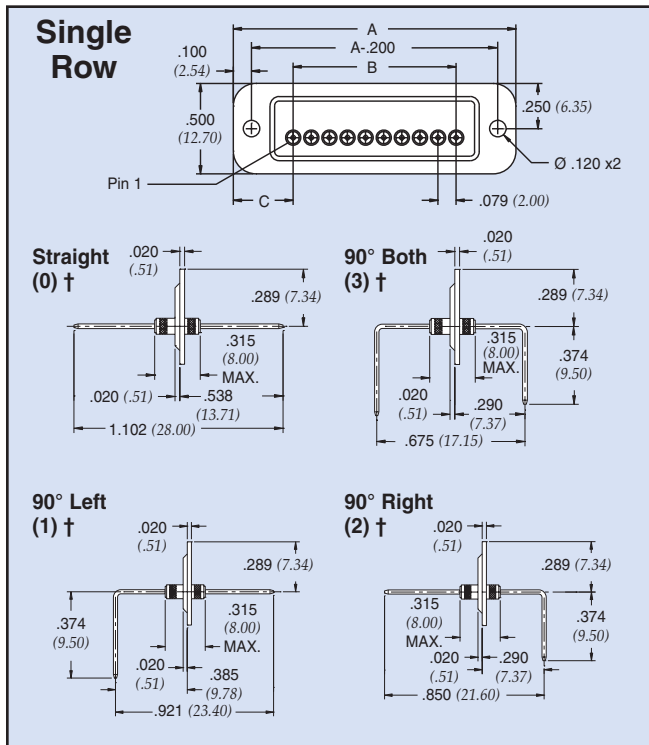
Plate length (A)	No. of filtered lines per row	52-970-XXX-XXX	
		B	C
1.060 * (26.92)	1	0 (0.00)	0.53 (13.46)
	2	0.1 (2.54)	0.43 (10.92)
	3	0.2 (5.08)	0.43 (10.92)
	4	0.3 (7.62)	0.33 (8.38)
	5	0.4 (10.16)	0.33 (8.38)
1.560 * (39.62)	1	0.0 (0.00)	0.73 (18.54)
	2	0.1 (2.54)	0.73 (18.54)
	3	0.2 (5.08)	0.63 (16.00)
	4	0.3 (7.62)	0.63 (16.00)
	5	0.4 (10.16)	0.53 (13.46)
	6	0.5 (12.70)	0.53 (13.46)
	7	0.6 (15.24)	0.43 (10.92)
	8	0.7 (17.78)	0.43 (10.92)
	9	0.8 (20.32)	0.33 (8.38)
	10	0.9 (22.86)	0.33 (8.38)
2.560 (65.02)	5	0.4 (10.16)	1.03 (26.16)
	6	0.5 (12.70)	1.03 (26.16)
	7	0.6 (15.24)	0.93 (23.62)
	8	0.7 (17.78)	0.93 (23.62)
	9	0.8 (20.32)	0.83 (21.08)
	10	0.9 (22.86)	0.83 (21.08)
	11	1.0 (25.40)	0.73 (18.54)
	12	1.1 (27.94)	0.73 (18.54)
	13	1.2 (30.48)	0.63 (16.00)
	14	1.3 (33.02)	0.63 (16.00)
3.560 (90.42)	15	1.4 (35.56)	0.53 (13.46)
	16	1.5 (38.10)	0.53 (13.46)
	17	1.6 (40.64)	0.43 (10.92)
	18	1.7 (43.18)	0.43 (10.92)
	19	1.8 (45.72)	0.33 (8.38)
	20	1.9 (48.26)	0.33 (8.38)
	13	1.2 (30.48)	1.13 (27.70)
	14	1.3 (33.02)	1.13 (27.70)
	15	1.4 (35.56)	1.03 (26.16)
	16	1.5 (38.10)	1.03 (26.16)
	17	1.6 (40.64)	0.93 (23.62)
	18	1.7 (43.18)	0.93 (23.62)
	19	1.8 (45.72)	0.83 (21.08)
	20	1.9 (48.26)	0.83 (21.08)
	21	2.0 (50.80)	0.73 (18.54)
	22	2.1 (53.34)	0.73 (18.54)
23	2.2 (55.88)	0.63 (16.00)	
24	2.3 (58.42)	0.63 (16.00)	
25	2.4 (60.96)	0.53 (13.46)	
26	2.5 (63.50)	0.53 (13.46)	
27	2.6 (66.04)	0.43 (10.92)	
28	2.7 (68.58)	0.43 (10.92)	
29	2.8 (71.12)	0.33 (8.38)	
30	2.9 (73.66)	0.33 (8.38)	

* For plate widths 1.060 and 1.560 there will be no coining.
For these plates, increase dimensions to the right .020".
Thus, any dimension on left will be reduced by .020.



Bolt-in Style Filter Plates Hi-Density Centers 2mm

Dimensions: inches and (mm)
Lead Spacing: .079" (2.00 mm)



Coining feature patented
† Refers to lead configuration for part number/ordering information

Plate length (A)	No. of filtered lines per row	52-971-XXX-XXX	
		B	C
1.060 * (26.92)	2	0.079 (2.00)	0.487 (12.38)
	3	0.157 (4.00)	0.409 (10.38)
	4	0.236 (6.00)	0.409 (10.38)
	5	0.315 (8.00)	0.330 (8.38)
	6	0.394 (10.00)	0.330 (8.38)
1.560 * (39.62)	3	0.157 (4.00)	0.662 (16.81)
	4	0.236 (6.00)	0.662 (16.81)
	5	0.315 (8.00)	0.583 (14.81)
	6	0.394 (10.00)	0.583 (14.81)
	7	0.472 (12.00)	0.504 (12.81)
	8	0.551 (14.00)	0.504 (12.81)
	9	0.630 (16.00)	0.426 (10.81)
2.560 (65.02)	10	0.709 (18.00)	0.886 (22.51)
	11	0.787 (20.00)	0.886 (22.51)
	12	0.866 (22.00)	0.807 (20.51)
	13	0.945 (24.00)	0.807 (20.51)
	14	1.024 (26.00)	0.729 (18.51)
	15	1.102 (28.00)	0.729 (18.51)
	16	1.181 (30.00)	0.650 (16.51)
	17	1.260 (32.00)	0.650 (16.51)
	18	1.339 (34.00)	0.571 (14.51)
	19	1.417 (36.00)	0.571 (14.51)
	20	1.496 (38.00)	0.492 (12.51)
	21	1.575 (40.00)	0.492 (12.51)
3.560 (90.42)	22	1.654 (42.00)	0.414 (10.51)
	23	1.732 (44.00)	0.414 (10.51)
	24	1.811 (46.00)	0.335 (8.51)
	25	1.890 (48.00)	0.335 (8.51)
	20	1.496 (38.00)	0.993 (25.22)
	21	1.575 (40.00)	0.993 (25.22)
	22	1.654 (42.00)	0.914 (23.22)
	23	1.732 (44.00)	0.914 (23.22)
	24	1.811 (46.00)	0.835 (21.22)
	25	1.890 (48.00)	0.835 (21.22)
	26	1.969 (50.00)	0.757 (19.22)
	27	2.047 (52.00)	0.757 (19.22)
	28	2.126 (54.00)	0.678 (17.22)
	29	2.205 (56.00)	0.678 (17.22)
	30	2.283 (58.00)	0.599 (15.22)
	31	2.362 (60.00)	0.599 (15.22)
32	2.441 (62.00)	0.520 (13.22)	
33	2.520 (64.00)	0.520 (13.22)	
34	2.598 (66.00)	0.442 (11.22)	
35	2.677 (68.00)	0.442 (11.22)	
36	2.756 (70.00)	0.363 (9.22)	
37	2.835 (72.00)	0.363 (9.22)	

* For plate widths 1.060 and 1.560 there will be no coining.
For these plates, increase dimensions to the right .020".
Thus, any dimension on left will be reduced by .020.

Filtered Arrays



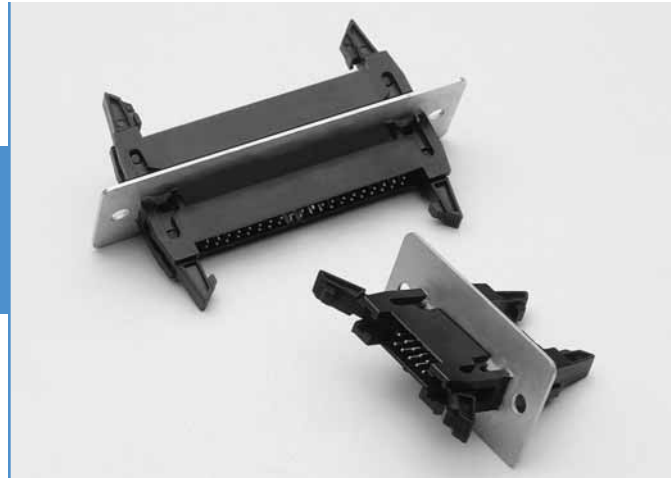
Shrouded Latch Filter Plates

Shrouded Latch Filter Plates are an effective method for combining an electronic interface and EMI solution in one package. The Shrouded Latch incorporates the Bolt-in concept filter plate with the latching feature of popular ribbon cable headers. This product is available in pin counts of 10 through 64 positions. The latch is available in a variety of standard heights.

The Shrouded Latch Filter Plate is ideal for securing and protecting the filter element from exposure to mechanical shock and vibration which could loosen the cable interface.

Shrouded Latch Filter Plate Advantages

- Available in 10 to 64 positions
- Mates to most ribbon cable connectors
- Variety of latch ejector heights available
- Pins on .100" centers
- Reliable cable retention for high vibration applications
- Mixed capacitance values and schematics available
- Excellent filtering from 5 MHz to 1 GHz and beyond
- Shroud protects filter elements from potential damage
- Available in RoHS compliant versions



Mechanical Specifications

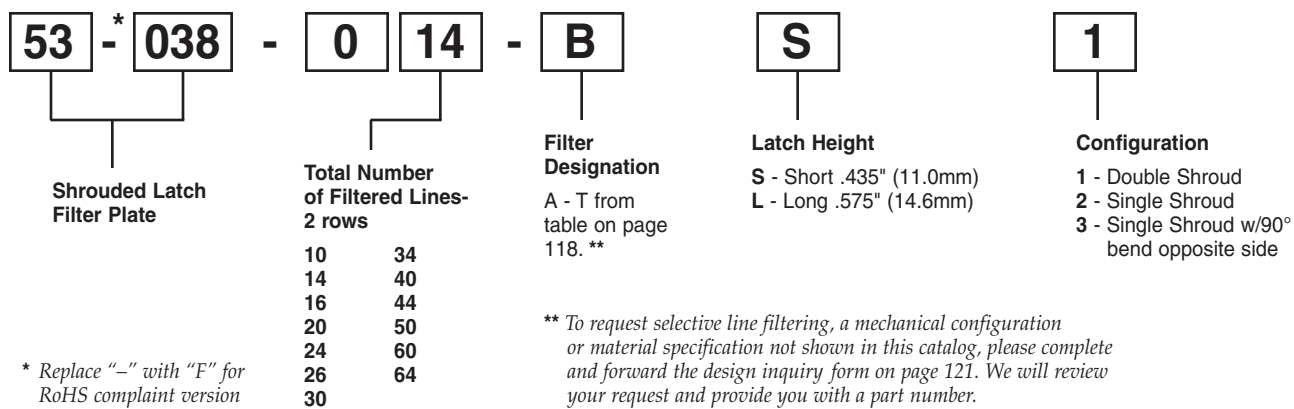
Base Plate Material	Brass UNS C26000/C27000
Base Plate Thickness040" (1.0mm)
Plating	Tin, RoHS version will be silver
Shrouded Material	Thermoplastic Polyester UL94V-0
Lead Material	Copper alloy
Lead Plating	Gold plate
Lead Diameter	ø .025" (0.6mm)
Current Rating	5 Amps

Filtered Arrays

Ordering Information

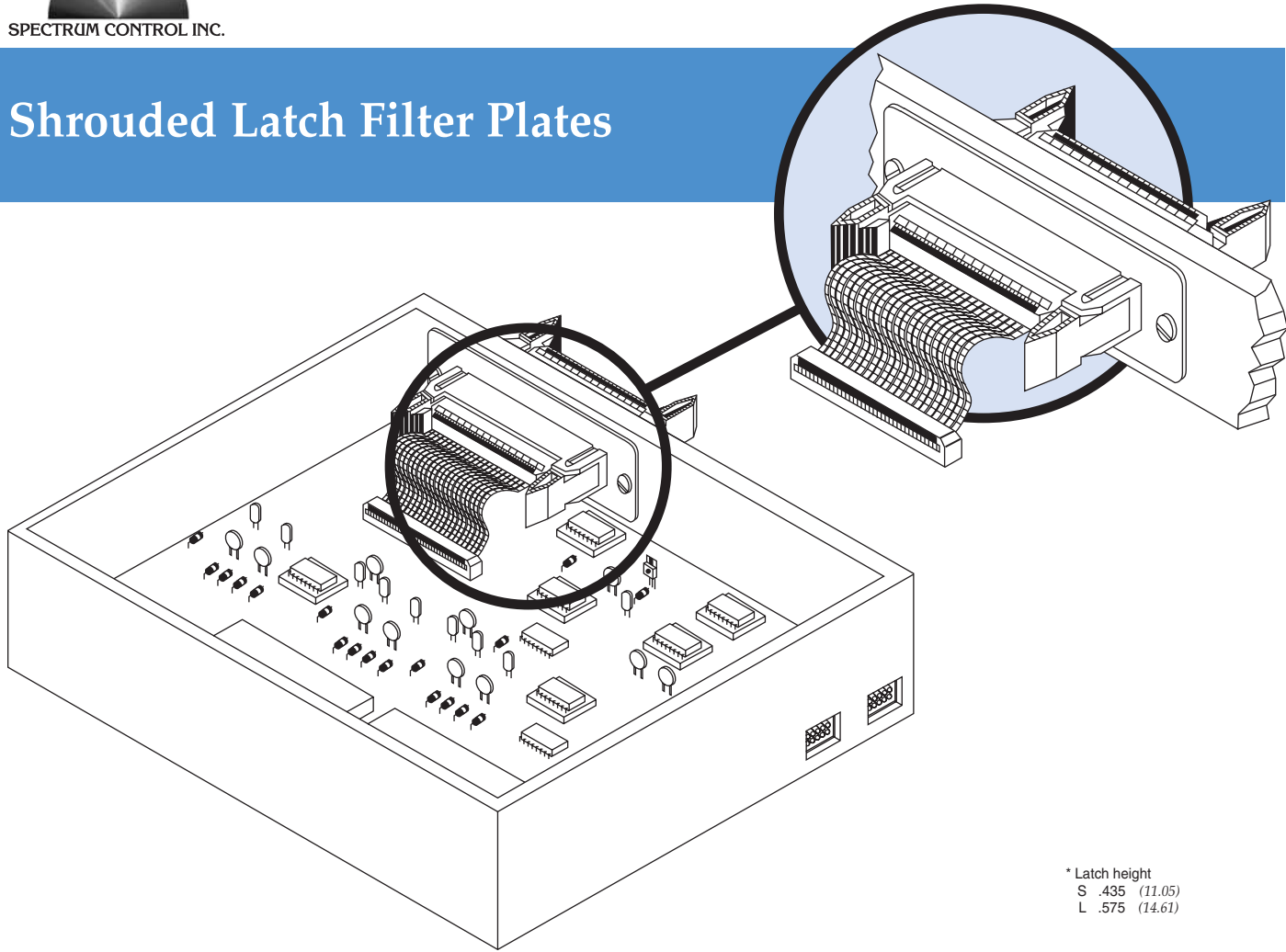
Example: 53-038-014-B S 1

The part number shown represents a shrouded latch filter plate with 14 filtered lines. Filters are C style with a capacitance value of 100pF. The plate has a short latch height and double shroud configuration.

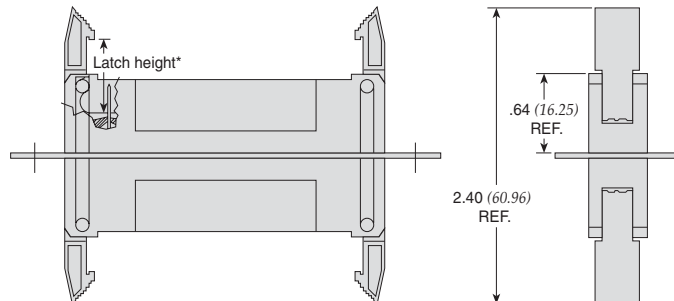
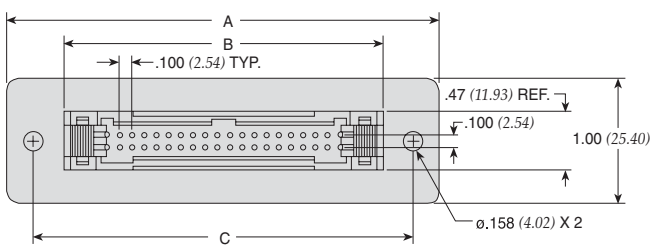




Shrouded Latch Filter Plates



* Latch height
 S .435 (11.05)
 L .575 (14.61)



Filtered Arrays

Part Number	Number of Circuits	A		B		C	
		in	(mm)	in	(mm)	in	(mm)
53-038-010-XXX*	10	2.00	(50.8)	1.10	(27.9)	1.58	(40.1)
53-038-014-XXX	14	2.20	(55.9)	1.30	(33.0)	1.78	(45.2)
53-038-016-XXX*	16	2.30	(58.4)	1.40	(35.6)	1.88	(47.8)
53-038-020-XXX*	20	2.50	(63.5)	1.60	(40.6)	2.08	(52.8)
53-038-024-XXX	24	2.70	(68.6)	1.80	(45.7)	2.28	(57.9)
53-038-026-XXX	26	2.80	(71.1)	1.90	(48.3)	2.38	(60.5)
53-038-030-XXX	30	3.00	(76.2)	2.10	(53.3)	2.58	(65.5)
53-038-034-XXX	34	3.20	(81.3)	2.30	(58.4)	2.78	(70.6)
53-038-040-XXX*	40	3.50	(88.9)	2.60	(66.0)	3.08	(78.2)
53-038-044-XXX	44	3.70	(94.0)	2.80	(71.1)	3.28	(83.3)
53-038-050-XXX*	50	4.00	(101.6)	3.10	(78.7)	3.58	(90.9)
53-038-060-XXX	60	4.50	(114.3)	3.60	(91.4)	4.08	(103.6)
53-038-064-XXX*	64	4.70	(119.4)	3.80	(96.5)	4.28	(108.7)

* Indicate standard sizes

Dimensions in inches (mm)



Custom Filter Plates

High Volume Industrial

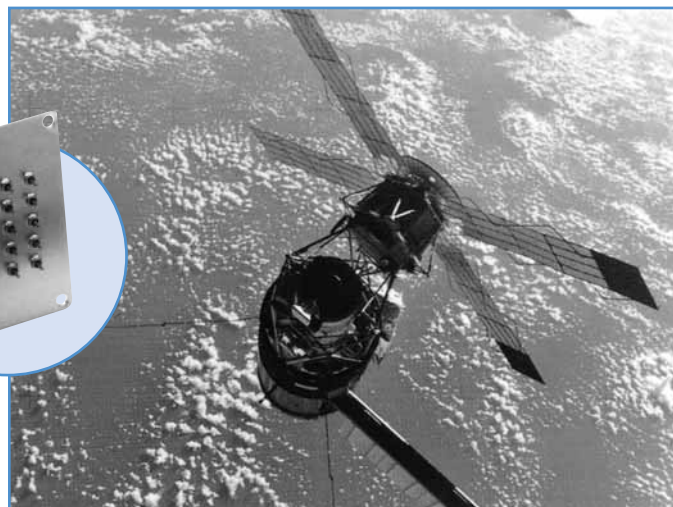
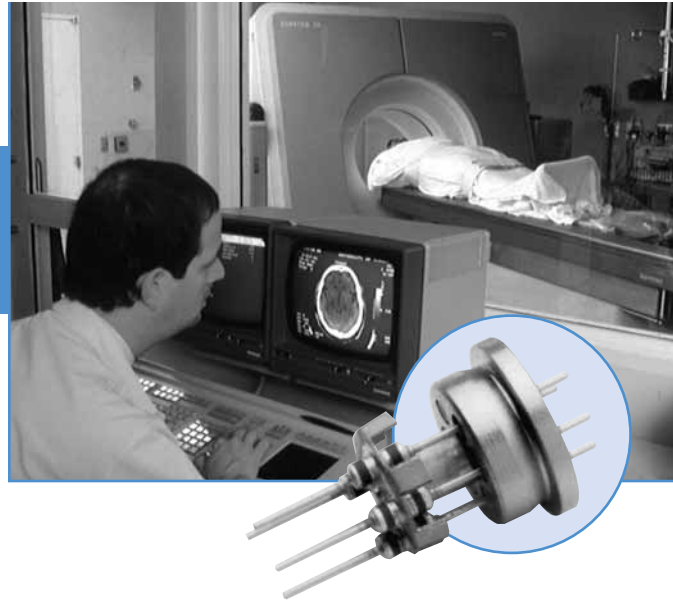
As a long-term producer of filter plates for industrial applications, Spectrum Control understands the cost requirements of this market. In turn, we have established a program to develop and manufacture custom designed filter plates for cost sensitive industrial applications.

We have engineered a variety of capacitive only filter elements that provide excellent RF isolation from 5 MHz to 1 GHz and beyond. To determine the available capacitance values, contact Spectrum Control. Our technical staff will work with you to develop a solution that meets your system and budget needs.

Military/High Reliability

Improving the electromagnetic compliance (EMC) of electronic systems is an area of intense focus within the defense and avionics industries. To achieve this goal, many companies are replacing discrete filter elements and surface mount filters with feed-thru filter plate assemblies for higher frequency isolation.

Spectrum Control will custom design a filter plate that meets your size, material and filtering requirements. We are capable of providing stringent testing and analysis of our filter plate assemblies to MIL-F-15733 and MIL-F-28861. To learn how Spectrum Control can satisfy your EMC application, fax or send us your requirements on the design inquiry form on page 121.



Filtered Arrays



Custom Capabilities

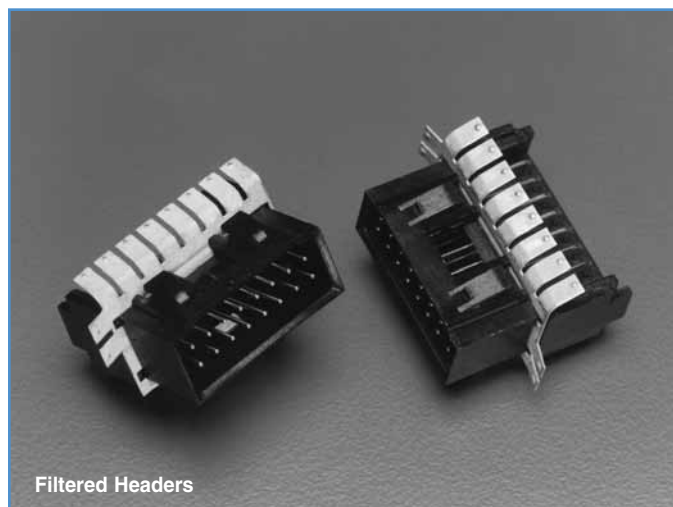
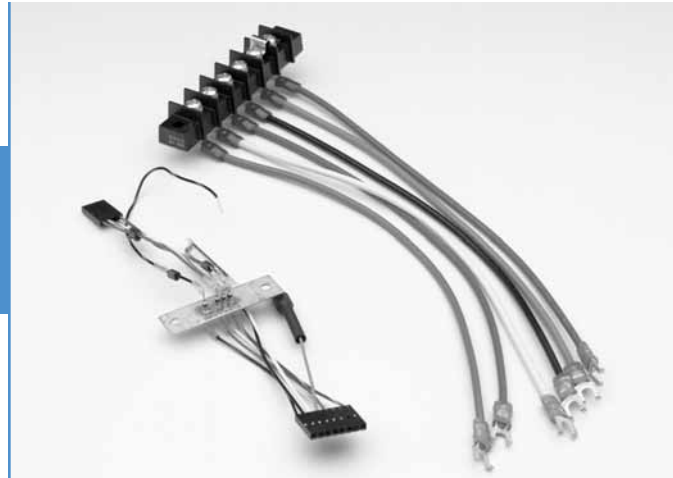
In addition to our custom filter plates, Spectrum Control offers a number of value added features designed to complement your manufacturing operation. Our marketing and engineering staff will evaluate your design or manufacturing parameters and develop a filter solution which provides increased filtering performance economically.

Spectrum Capabilities

- Custom assemblies with varying cable lengths and impedances for high clock speeds associated with digital electronics
- Integrate a filter solution with other components to ensure a completely functional device
- Perform EMC evaluations on your equipment, recommending proper placement of EMI/RFI filtering components.

Filtered Headers

Replace the unfiltered connector on your PC board with Spectrum Control's low cost filtered header. This innovative new product allows you to meet EMC emissions and susceptibility standards with minimal or no board change.



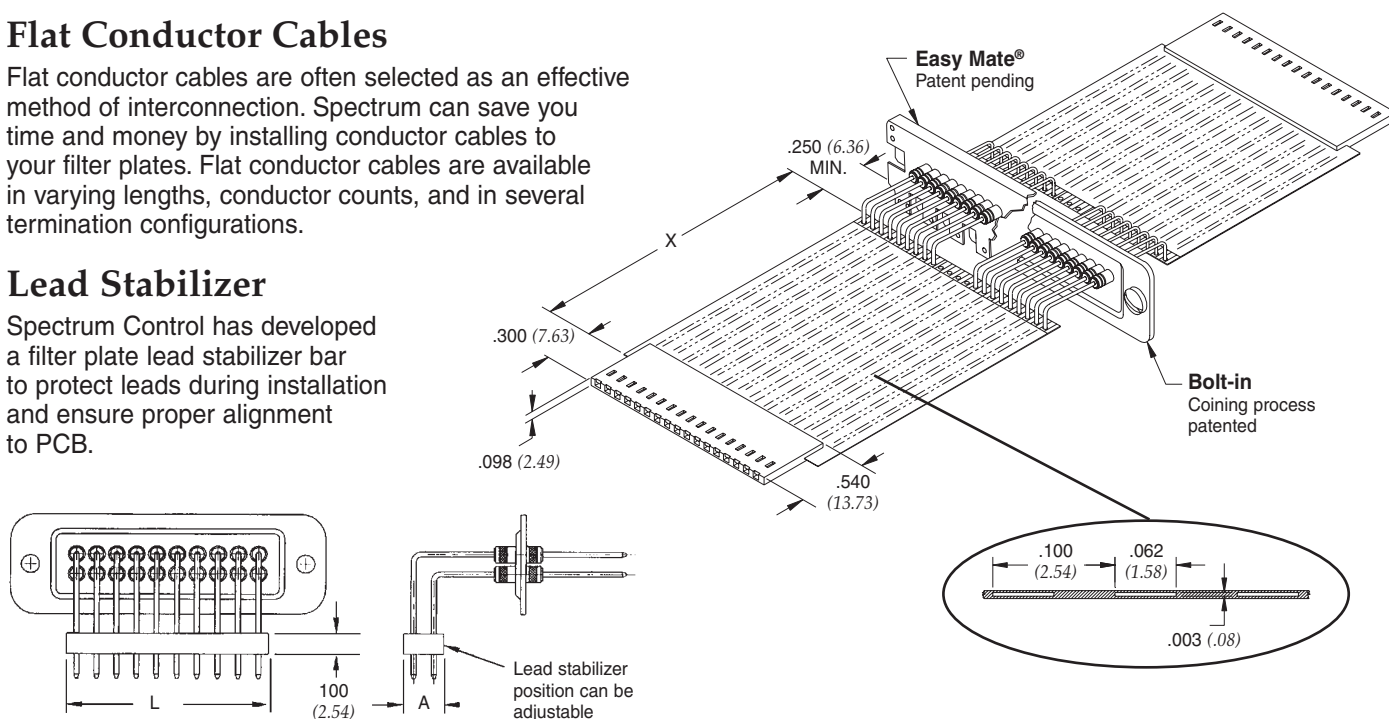
Filtered Headers

Flat Conductor Cables

Flat conductor cables are often selected as an effective method of interconnection. Spectrum can save you time and money by installing conductor cables to your filter plates. Flat conductor cables are available in varying lengths, conductor counts, and in several termination configurations.

Lead Stabilizer

Spectrum Control has developed a filter plate lead stabilizer bar to protect leads during installation and ensure proper alignment to PCB.



Filtered Arrays



Filter Selection

EMI Filter Performance

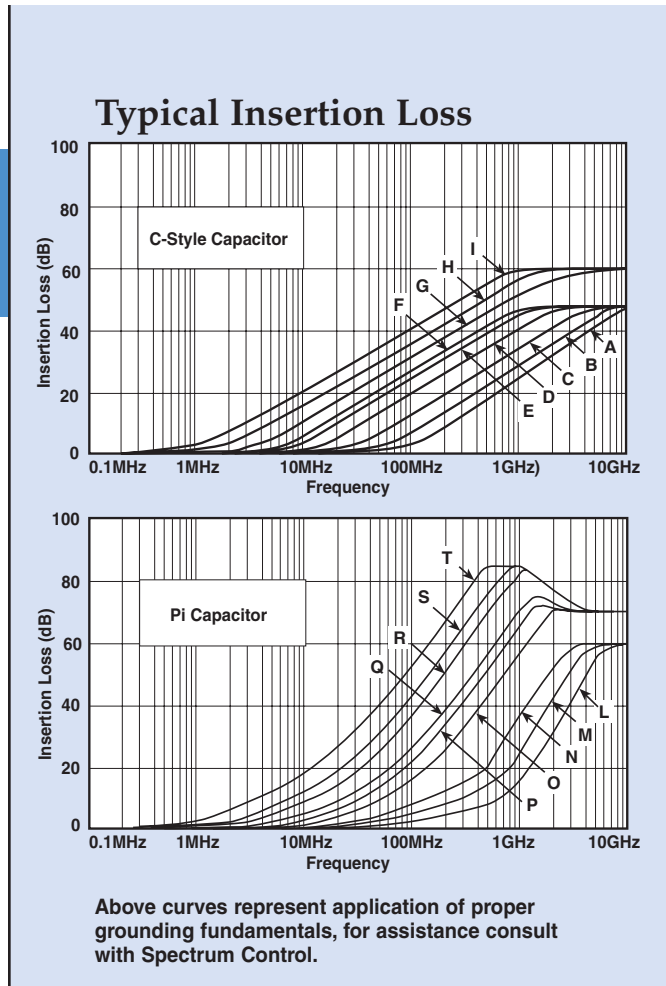
The electrical characteristics table and insertion loss graphs indicate the performance of feed-thru capacitors and Pi type filters. Utilize this information to specify the EMI filtering components included in your filter plate.

Custom Filtering

Spectrum Control filter plates are engineered to accommodate selective line filtering. Several different types of filters may be specified in a single, easy to install filter plate, allowing you to facilitate a wide range of filtering requirements.

For selective line filtering, provide a sketch indicating the filters and positions required. The example below represents a 10 pin, 2 row plate with six 1000 pF feed-thru capacitors and four 1700 pF Pi type filters.

Part Number	10 F F F R R 6					
Based on front view of plate	1 F F F R R 5					



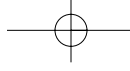
Filtered Arrays

Filter Designation	Filter** Circuits	Capacitance		3 dB Max Cut-off Frequency (MHz)*	Working Voltage DC -55°C to +125°C	Minimum Insertion Loss - Decibels (dB) 50 ohm system per MIL-STD-220 (no load)							
		Value	Tolerance			5 MHz	10 MHz	20 MHz	50 MHz	100 MHz	200 MHz	500 MHz	1 GHz
A	C	68 pF	±20%	77	100V	—	—	—	—	—	3	10	16
B		100 pF	±20%	53	100V	—	—	—	—	1	6	14	19
C		135 pF	+100/-0%	23	100V	—	—	—	1	5	10	16	20
D		470 pF	±20%	11	100V	—	—	2	7	13	19	25	27
E		820 pF	±20%	6	100V	—	2	6	12	18	24	30	33
F		1000 pF	±20%	5	100V	—	3	7	14	20	26	32	35
G		1500 pF	±20%	3.5	100V	1	4	10	16	22	29	36	37
H		2500 pF	+100/-0%	1.3	100V	5	11	17	23	29	35	38	40
I		4000 pF	+100/-0%	.8	100V	9	15	21	27	34	38	42	46
J	Insulated	10 pF	Max.	635	100V	—	—	—	—	—	—	—	
K	Grounded Insert					—	—	—	—	—	—	—	
L	Pi	68 pF	±20%	65	100V	—	—	—	—	1	6	17	23
M		100 pF	±20%	46	100V	—	—	—	—	2	9	22	28
N		135 pF	+100/-0%	25	100V	—	—	—	1	6	17	26	34
O		470 pF	±20%	11	100V	—	—	—	9	18	22	36	43
P		820 pF	±20%	6	100V	—	—	4	13	23	31	45	52
Q		1000 pF	±20%	5	100V	—	2	7	16	24	36	51	59
R		1700 pF	+100/-0%	1.9	100V	1	6	14	28	35	49	64	69
S		2500 pF	+100/-0%	1.3	50V	4	9	16	28	41	54	70	70
T		5000 pF	+100/-0%	.7	100V	9	15	28	41	53	66	70	70

* 3 dB cut-off frequency calculated at the maximum capacitance.

** For Hi-Density centers (2 mm) only C style filters are available, to a maximum of 4000pF.

All High-Density capacitors are 50 volts @ 125°C.



SPECTRUM CONTROL INC.

Custom Filter Plates

Filter Plate Design Inquiry Form

General Information

Customer: _____	Location: _____
Address: _____	
City: _____	State: _____ Zip: _____
Contact: _____	Title: _____
Phone: _____	Fax: _____

Project Information

Project name: _____	Annual usage: _____	Target price: _____
Intended application: _____	Quote quantity: _____	
Function of circuit filter is used in: _____	Target cost: _____	

Functional Detail NOTE: Bold lettering represents standard, readily available material (Circle the appropriate parameters needed)

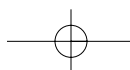
Lead Diameter				Total Lead Length			Lead Material		Lead Plating		
0.020"	0.025"	0.032"	0.040"	0.700"	1.00"	1.102"	Phosphor Bronze	Copper	Gold	Tin	Silver
Base Plate Material											
Brass UNS C26000/C27000				Cold Rolled Steel (CRS) UNS G10080/G10180			Aluminum UNS A93003/A96061		Beryllium Copper*		
<small>* For Beryllium Copper, ask about our new "Easy Mate®" Plate</small>											
Plate Thickness (± 0.002")						Plating of Base Plate					
<small>(0.010" for Easy Mate®Jr.)</small>		<small>(0.020" for Bolt-in)</small>				0.026" 0.033" 0.041"		Tin	Silver	90/10 Solder	Nickel
Center-to-Center Spacing						Standard (inch):		0.079	0.100		
<small>(Not all capacitances available on all centers)</small>						Metric (mm):		2	2.54		



Filtered Arrays

Detailed Sketch and Comments Area

Include Mounting Detail





Barrier Strip Filtered Terminal Blocks

The barrier strip filtered terminal block is designed provide excellent EMI/RFI filtering of AC and DC power lines and control lines. This terminal block is available in various sizes, with terminal for soldering or spade lugs. Application examples include filtering power supplies in telecommunications equipment, metering, industrial controls, instrumentation and EDP equipment.

Features

- UL recognized and CSA approved for DC voltages
- E133076, UL 1059
- LR92537, CSA STD 22.2 N°158-1987 and ECN584B
- Filter element provides high insertion loss for EMI/RFI filtering of AC and DC power and control lines
- Rugged construction provides protection to filtering element; especially useful for repeated changes in wiring or field connections
- 2 to 6 terminals available (combine if larger number of terminals needed)
- Cost-effective solution for industrial interconnection EMI filtering problems
- Termination options available: straight lead, male or female disconnects, pigtail (12 AWG = 0.081" (2.05mm); 22 AWG = 0.025" (0.64mm))
- Available in RoHS compliant versions

Ordering Information

Example: **52-160-006-A AOO**

The part number shown represents a barrier strip terminal block with six terminals and rated for 20 Amps. Male disconnects (.250") are the method of termination.

52	*	160	-	006	-	A
		Barrier Strip Terminal Block		Number of Terminals		Current Rating
		160 - Front panel mount		002 - 2 terminals through		A - 20 Amps
		188 - Rear panel mount		006 - 6 terminals		

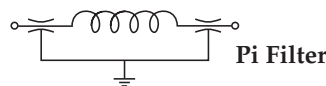
For instructions on soldering to filter terminals, please refer to page 107 in filter plate section.

* Replace "-" with "F" for RoHS complaint version



Specifications

ELECTRICAL



- Operating temperature:** -55° C to 105° C
- Working voltage:** 100VDC
- Capacitance:** 2,500 pF to 5,200 pF
- Dielectric withstanding voltage:** 1700VDC
- Current rating:** 20A
- D.C. resistance:** .01 ohms max.

Typical Insertion Loss — dB: In 50 Ohm Circuit	
30 MHz.....	.22
50 MHz.....	.32
100 MHz.....	.48
300 MHz.....	.70
500 MHz.....	.75
1000 MHz.....	.75

MECHANICAL

- Center spacing:** .438" (11.1 mm)
- Wire size:** AWG #12 max for 20A
- Screw size:** 20A - #6-32, zinc-plated phillslot screws
- Molded material:** Black, UL rated 94VO thermoplastic
- Tightening torque:** 9 in.-lbs. max.
- Terminal:** Brass, tin-plated

Filtered Arrays

AOO

Special Terminations Code

Note: Leave blank if ordering standard product.

Male quick disconnects directly on terminal block.

AO1187 (4.8)

AOO250 (6.4)

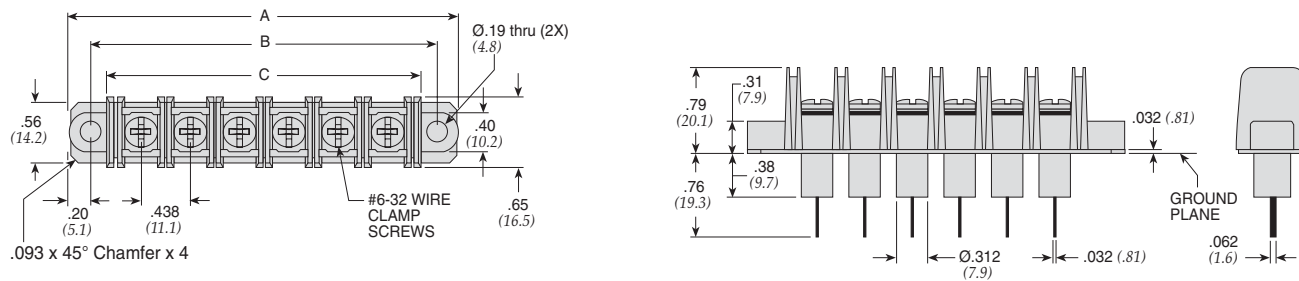
Dimensions in inches (mm)

For custom designs see page 127 and consult with factory.



Barrier Strip Filtered Terminal Blocks

Front panel mount



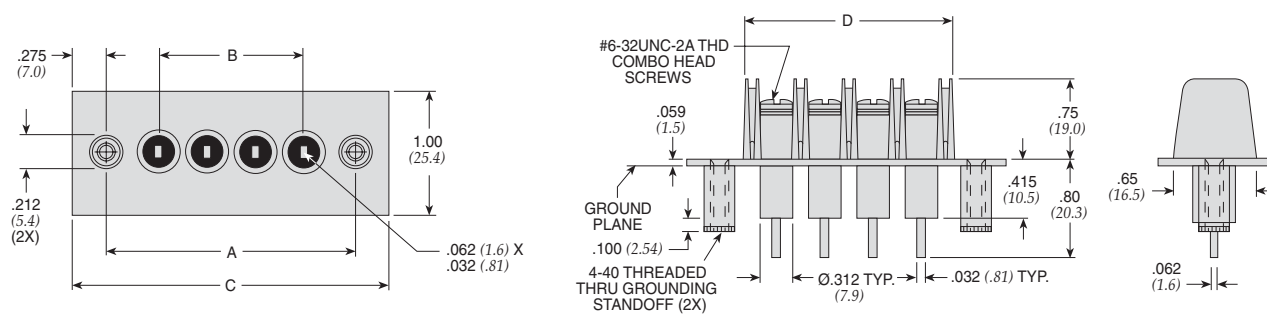
20 Amps

Dimensions in inches (mm)

Part Number	Number of Circuits	in. A (mm)	in. B (mm)	in. C (mm)
€ 52-160-002-A	2	1.71 (43.4)	1.31 (33.3)	1.02 (25.9)
52-160-003-A	3	2.15 (54.6)	1.75 (44.5)	1.46 (37.1)
52-160-004-A	4	2.59 (65.8)	2.19 (55.6)	1.90 (48.3)
52-160-005-A	5	3.02 (76.7)	2.62 (66.5)	2.32 (58.9)
52-160-006-A	6	3.46 (87.9)	3.06 (77.7)	2.77 (70.4)

€ Also available through Spectrum Control's authorized European distributors/agents.

Rear panel mount



20 Amps

Dimensions in inches (mm)

Part Number	Number of Circuits	in. A (mm)	in. B (mm)	in. C (mm)	in. D (mm)
52-188-002-A	2	1.31 (33.3)	.438 (11.1)	1.86 (47.3)	1.02 (25.9)
52-188-003-A	3	1.75 (44.4)	.875 (22.2)	2.30 (58.4)	1.46 (37.1)
52-188-004-A	4	2.19 (55.6)	1.313 (33.3)	2.74 (69.5)	1.90 (48.3)
52-188-005-A	5	2.62 (66.6)	1.750 (44.4)	3.17 (80.6)	2.32 (58.9)
52-188-006-A	6	3.06 (77.7)	2.188 (55.6)	3.61 (91.7)	2.77 (70.4)



250 Volt AC Rated Filtered Terminal Blocks

Spectrum Control's filtered terminal block provides superior EMI/RFI filtering of AC power and control lines. This terminal block is available in various sizes, with terminals for soldering, spade lugs, or wire pigtails. Termination options available: straight lead male or female disconnects, or wire pigtails in lengths to your specification.

Features

- UL recognized and CSA approved for AC voltages.
- E133076, UL 1059.
- LR92537, CSA STD 22.2 N°158-1987 and ECN584B.
- Termination options available: straight lead, male or female disconnects, pigtail (12 AWG-22 AWG).



Applications

- Metering equipment
- Programmable controllers
- Industrial process control
- Heavy equipment controls
- Power supplies
- Regulators
- Surge sensing equipment
- Power factor correction
- Telecommunications power management, ATM, Sonet, etc.
- Medical equipment

Specifications

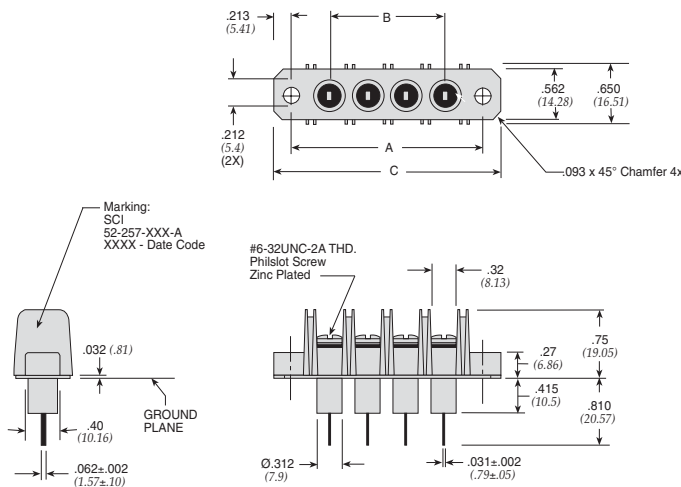
ELECTRICAL

Operating temperature: -55° C to +105° C
Voltage rating: 250VAC
Current rating: 20 Amps
Wire range: 12-22AWG
Torque: 9 lb-in.
Capacitance: 2000pF to 5200pF
Dielectric withstanding voltage: 1500VAC @ 25° C

MECHANICAL

Center spacing: .438" (11.1 mm)
Wire size: AWG #12 max. for 20 Amp
Screw size: 20A - #6-32, zinc plated phillslot
Molded material: UL rated 94VO polyamide
Tightening torque: 9 in.-lbs. max.
Terminal options: straight lead, male or female disconnects, pigtail

Filtered Arrays



Part Number	Number of Circuits	in. A (mm)	in. B (mm)	in. C (mm)
52-257-002	2	1.71 (43.4)	1.31 (33.3)	1.02 (25.9)
52-257-003	3	2.15 (54.6)	1.75 (44.5)	1.46 (37.1)
52-257-004	4	2.59 (65.8)	2.19 (55.6)	1.90 (48.3)
52-257-005	5	3.02 (76.7)	2.62 (66.5)	2.32 (58.9)
52-257-006	6	3.46 (87.9)	3.06 (77.7)	2.77 (70.4)

Dimensions in inches (mm)



PCB Mount Filtered Terminal Blocks

The PCB mount filtered terminal block is designed to provide excellent EMI/RFI filtering of low voltage DC power lines and control lines. These new terminal blocks use a unique screw clamp system with a wire protector which provides for quick and easy installation. Spectrum's PCB Mount terminal blocks can be used for a variety of power supply filtering applications in telecommunications equipment, metering, industrial controls, instrumentation and EDP equipment.

Features

- Filter element provides high insertion loss for EMI/RFI filtering of DC power and control lines
- Rugged construction provides protection to filtering element; especially useful for repeated changes in wiring or field connections
- 2 to 12 terminals available (combine if larger number of terminals needed)
- Quick and easy PCB installation and maintenance
- Cost-effective solution for industrial interconnection EMI filtering problems
- Selectively loaded filter pins to economically meet exact filtering requirements
- Available with European (5 mm) or US (.200") pin spacing
- Available in RoHS compliant versions

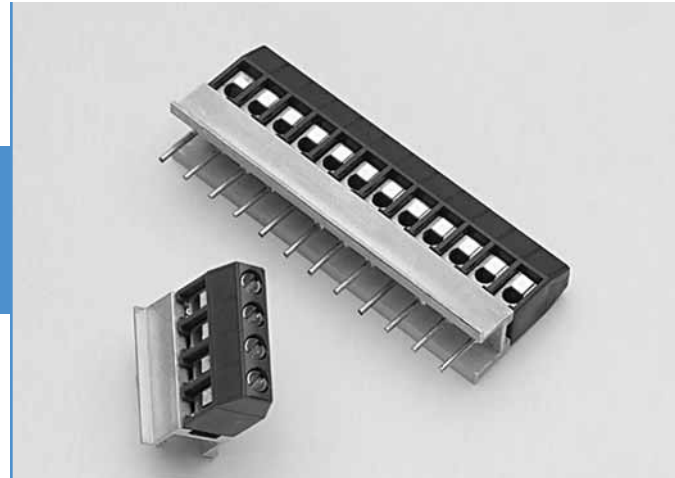
Ordering Information

Example: **52-227-006-L**

The part number shown represents a low profile PCB mount terminal block for thru-hole grounding with six terminals (US spacing).

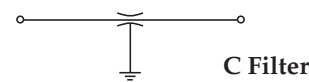
52	-	*227	-	006	-	L
Terminal Block type		Number of terminals		Low profile sizing		
227 U.S. pin spacing 228 Metric pin spacing		002 - 2 terminals thru 012 - 12 terminals		See page 126		

* Replace "-" with "F" for RoHS compliant version



Specifications

ELECTRICAL



Operating temperature: -40° C to 80° C
Working voltage: 100VDC
Capacitance: 2500 pF* +80% / -20%
Dielectric withstanding voltage: 707VDC
Current rating: 12 Amps max.
D.C. resistance: .01 ohms max.

Typical Insertion Loss — dB: In 50 Ohm Circuit		
10 MHz.....	10.4	500 MHz..... 43.9
50 MHz.....	23.9	1000 MHz..... 49.9
100 MHz.....	29.9	

MECHANICAL

Center spacing: US .200: (5.08 mm)
EURO .197" (5 mm)
Wire size: AWG 12 through 26
Screw material: steel, zinc chromate plate
Recommended PCB hole diameter: .05" (1.30 mm) contact hole
Molded material: UL rated 94VO polyamide
Tightening torque: 2.5 in.-lbs. max.
Terminal: Brass, tin-plated

* For filter elements with additional capacitance values, consult factory.



PCB Mount Filtered Terminal Blocks

US Pin Spacing

Part Number	Number of Circuits	A	
		in.	(mm)
52-227-002	2	.44	(11.2)
52-227-003	3	.64	(16.3)
52-227-004	4	.84	(21.4)
52-227-005	5	1.04	(26.5)
52-227-006	6	1.24	(31.5)
52-227-007	7	1.44	(36.6)
52-227-008	8	1.64	(41.7)
52-227-009	9	1.84	(46.8)
52-227-010	10	2.04	(51.9)
52-227-011	11	2.24	(57.0)
52-227-012	12	2.44	(62.0)

For effective filtering,
the ground plane must
be soldered to the
printed circuit board.

Low Profile

To order add
-L- after part
number.

Dimensions in inches (mm)

Metric Pin Spacing

Part Number	Number of Circuits	A	
		in.	(mm)
52-228-002	2	.43	(10.9)
52-228-003	3	.63	(16.0)
52-228-004	4	.83	(21.1)
52-228-005	5	1.02	(25.9)
52-228-006	6	1.22	(31.0)
52-228-007	7	1.42	(36.1)
52-228-008	8	1.61	(40.9)
52-228-009	9	1.81	(46.0)
52-228-010	10	2.00	(50.8)
52-228-011	11	2.20	(55.9)
52-228-012	12	2.40	(61.0)

For effective filtering,
the ground plane must
be soldered to the
printed circuit board.

Low Profile

To order add
-L- after part
number.

Dimensions in inches (mm)

Filtered Arrays



Custom Filtered Terminal Blocks Terminal Block Design Inquiry Form



Spectrum Control can incorporate EMI filters into a variety of terminal block designs. We offer product variations from several terminal block manufacturers. In addition to developing a filtering solution, we will add custom wiring and terminations to meet your requirements. Spectrum Control offers:

- Unique package integration for customer specific needs
- Wide range of designs from numerous terminal block manufacturers
- Custom assemblies with varying cable lengths and terminations

Terminal Block Design Inquiry Form

General Information

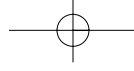
Customer: _____	Location: _____
Address: _____	
City: _____	State: _____ Zip: _____
Contact: _____	Title: _____
Phone: _____	Fax: _____

Project Information

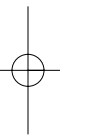
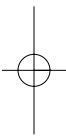
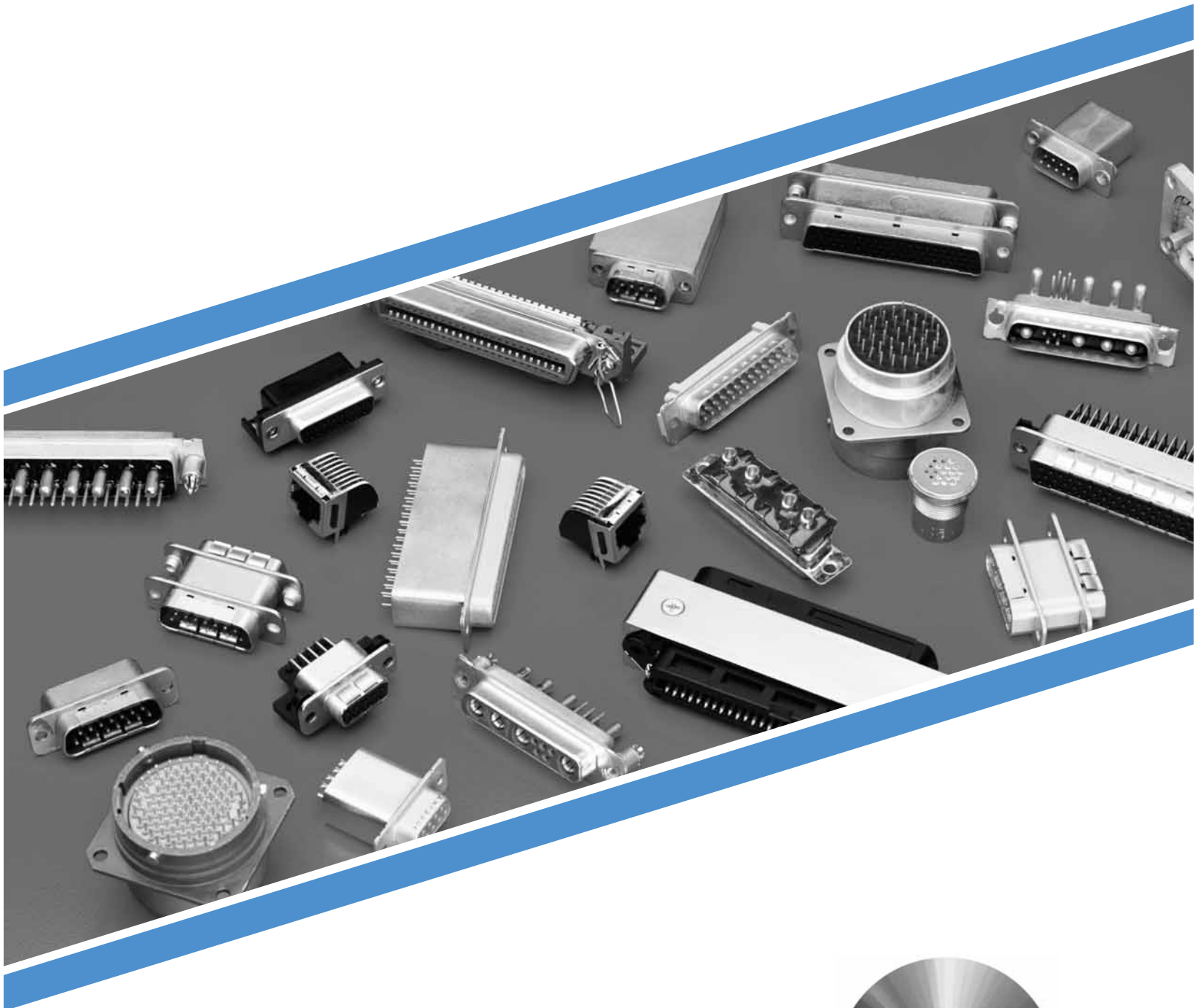
Project name: _____	Annual usage: _____	Target price: _____
Intended application: _____	Quote quantity: _____	
Function of circuit filter is used in: _____	Target cost: _____	

Detailed Sketch and Comments Area

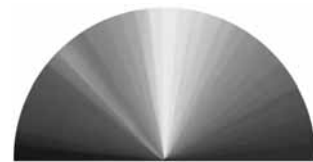
Filtered Arrays



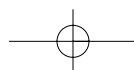
EMI Filtered Connectors



ISO 9001
CERTIFIED



SPECTRUM CONTROL INC.
A Control Products and Systems Company
Signal and Power Integrity Group





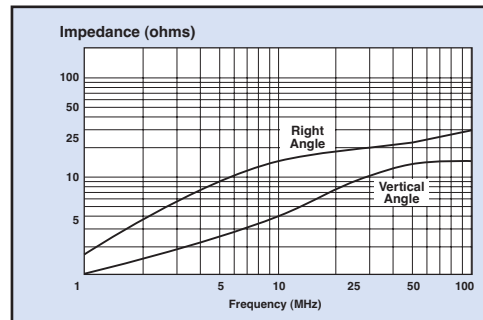
Filtered Connector Product Positioning Guide

Series F Ferrite Filtered Connectors

- Filtering of high frequency interference
- Short, space saving .318" footprint
- Replaces individual ferrite leads, saving cost and space
- Effective in meeting FCC, VDE, EN55022 and Japan's VCCI requirements

The Series F ferrite filtered connector is designed as a low cost EMI solution for high frequency interference. The space saving .318" footprint makes this product interchangeable with standard D-subminiature connectors.

Series F Connectors 132-136

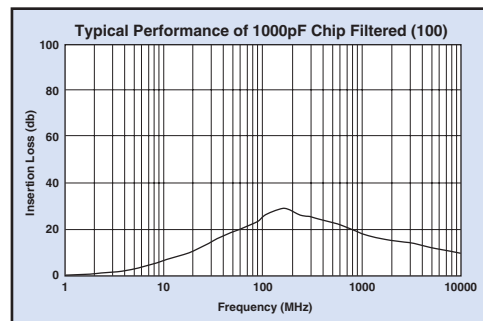


Series 100 Chip-Cap Filtered Connectors

- Lowest cost capacitive filtered connectors
- Available in 9, 15, 25 and 37 shell sizes
- 0.318", 0.405" and 0.590" footprints available
- Selective line filtering is available

The Series 100 connectors provide an excellent combination of low cost and good performance. Styles are available as "drop-in" replacements for unfiltered connectors and as adapters for non-standard applications.

Series 100 Connectors 137-140

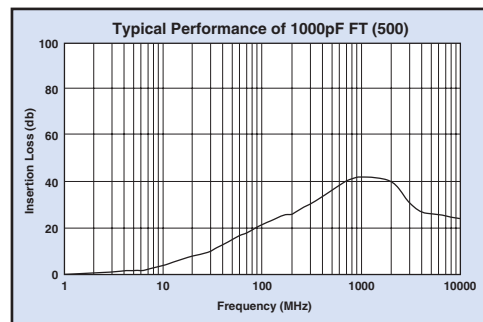


Series 500 Low Profile Feed-thru Connectors

- Low Cost, High Performance connectors
- Available in 9, 15 and 25 shell sizes
- Compact design with a 0.318" footprint
- Solid ground plane design provides EMI shielding

The Series 500 filtered D-subminiature connectors feature a compact design for 90° PCB connectors and straight PCB connectors utilizing tubular capacitors. These filtered D-Subs are "drop-in" replacements for standard unfiltered connectors.

Series 500 Connectors 141-144

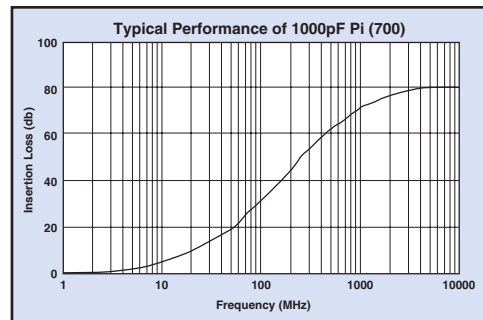
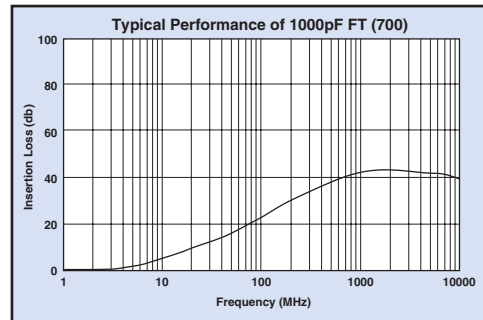


Series 700 High Performance Filtered Connectors

- Available in 9, 15, 25, 37 and 50 shell sizes
- One piece die cast housing design
- Available in both feed-thru capacitive and PI configurations
- Selective line filtering is available
- Tubular capacitor filtering provides effective performance through 10 GHz

These connectors are a highly effective method of filtering at the I/O interface. The ability to selectively filter lines allows signals of various rates to pass without degrading signal integrity. Series 700 connectors feature a .590" footprint on right angle connectors. Styles are available with pin or socket contacts or as pin/socket adapters.

*Series 700 Connectors
Filter Selection
and Specifications 149-150
Shell Size 9 Connectors 151-154
Shell Size 15 Connectors 155-158
Shell Size 25 Connectors 159-162
Shell Size 37 Connectors 163-166
Shell Size 50 Connectors 167-170*





Filtered Connector Selection Guide

Other Key Pages

<i>Part Numbers & Options</i>	171-172
<i>Adapter Test Kit</i>	197
<i>Waved Metal Gaskets</i>	198
<i>Hooded Strain Reliefs</i>	199
<i>Custom Engineered Solutions</i>	200
<i>Performance Testing</i>	201
<i>Board & Panel Cutouts</i>	202-203

Series 600 Hi-Density Filtered Connectors

- Available in 15, 26, 44, 62 and 78 shell sizes
- Compact design using one piece die cast housing
- Available in feed-thru capacitive configurations
- Selective line filtering is available

This line of connectors incorporates the high performance and reliable filtering of Spectrum's standard D-sub's in a Hi-Density format. These connectors are also available in a pin/socket adapter.

<i>Series 600 Hi-Density Connector</i>	145-146
<i>Series 600 Hi-Density Telecommunications Adapter</i>	147-148

Filtered Combo D-Subminiature Connectors

- Excellent filtering of signal, power and coaxial contacts with high performing feed-thru capacitors
- Ground plane design provides superior EMI shielding
- Available in a wide variety of mixed versions

Spectrum's line of filtered combo D-sub's provide high insertion loss with tubular or chip capacitive filtering. These connectors are available with 20 Amp power contacts, 40 Amp power contacts, 50 ohm coaxial contacts or 75 ohm coaxial contacts. High strength epoxy potting protects ceramic elements.

<i>Filtered Combo D-Subminiature Connectors</i>	173-180
---	---------

Series E (ESD/EFT) Transient Protected Connectors

- Fail safe design guards equipment in case of severe surge
- Connects directly between the serial or parallel port of your hardware and cable
- Available in 9, 15, 25, and 37 line protection

Surge suppressors provide protection against data loss and damage due to transient over-voltages from a variety of sources including lighting, factory equipment, motors and AC power lines. Protects printers, personal computers, LANS, WANS, RS-232 and RS-422/485 equipment.

<i>Series E Connectors</i>	181-184
--------------------------------------	---------

Datacom Connectors

- Modular jack connectors available filtered with ferrite or capacitive film
- Modular jack connectors available in single or multiport styles
- Filtered USB connectors available in a variety of configurations
- Miniature ribbon connectors and adapters available in 50 line configurations

Filtered datacom connectors are available for a wide variety of applications including original telephone manufacturing, operating telephone companies, cable reclamation, cable manufacturing and bay connectorization, LANs, WANs, network cards, broadband transmissions, workstations, peripherals, fax/modems, copy machines and multiplexing.

<i>Filtered Miniature Ribbon Connectors and Adapters</i>	185-188
<i>Filtered Modular Jack Connectors</i>	189-191
<i>Filtered Mini-DIN Connectors</i>	192
<i>Filtered USB Connectors</i>	193-196

Custom Filtered Connectors

- Available in C, Pi, LC and T configurations
- Able to filter most connector interface types including circular, rack and panel, ARINC, etc.
- Value added options such as wire harnessing, flex circuits and hermeticity are available
- Selective line filtering available
- Use either tubular capacitors or planar arrays

This series of filtered connectors includes custom products ranging from MIL-C-38999, ARINC military connectors to filtered industrial connectors. These connectors are available with capacitor values up to 500,000 pF per line making it ideal for most applications. Common markets for custom filtered connectors are military, industrial and medical equipment.

<i>Compact Shell Filtered Connectors</i>	205
<i>MIL-C-38999</i>	206-211
<i>Extended Shell Filtered Connectors</i>	212
<i>MIL-C-38999</i>	213-221
<i>MIL-C-83723</i>	222-225
<i>MIL-C-26482</i>	226-229
<i>Custom Filtered Connectors</i>	230-231
<i>Quality Acceptance Test Specifications</i>	232



Advantages of Spectrum Filtered Connectors

Spectrum offers the industry's most complete line of filtered D-subminiature connectors.

Features

- All shell sizes (9, 15, 25, 37 and 50)
- Many termination types (PC mount, wire wrap, solder cup and 90° PCB)
- In house ceramic tube design for high performance filtering
- Filtering options:
 - Pi Filter Configuration (*Provides 45-60 dB per decade slope to insertion loss curve*)
 - Capacitive only C Filters (*Provides cost-effective EMI attenuation*)
 - Ferrite Filtered Series F Connectors (*Provides filtering in situations that do not tolerate capacitive loading of circuit*)
 - Series 500 Connectors (*Short .318" PCB footprint*)
 - Chip-Cap Series 100 Connectors (*Short .318" PCB footprint*)
- Construction (Series 600 & 700)
 - One piece zinc diecast shell, nickel plated
 - Complete 360° grounding with ground plate
 - Patented coaxial springs ensure ground continuity

Factors to be considered when evaluating EMI filtering through filtered connector or on-board filter:

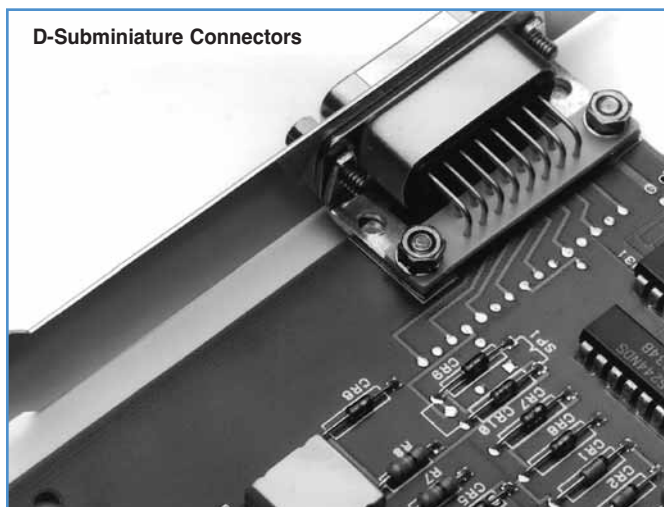
- EMI effectiveness
- Cost of components
- Hidden costs of extra components
- Design of board
- Reliability

Advantages of a Filtered Connector

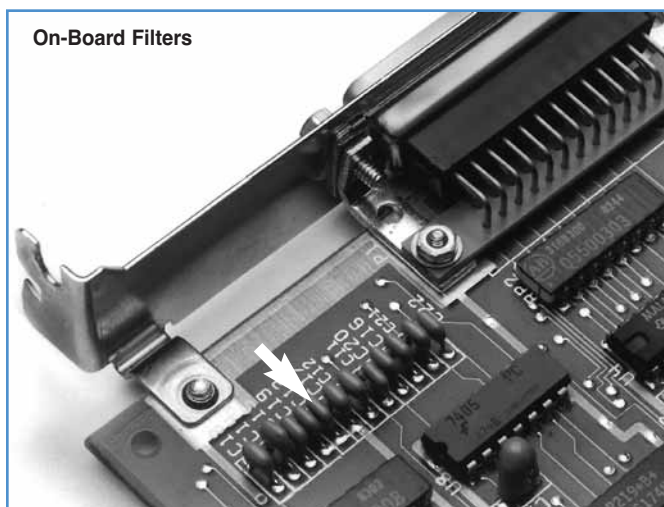
- **Low ground impedance** – Full ground plate and metallic shell provide minimal impedance and superior performance compared to on-board filter with high impedance
- **Eliminate re-radiation** – Filtered connector at interface leaves no path for bypassing the filter
- **Ground plane shielding** – Spectrum Control filtered connector ground planes shield the box even at the connector port
- **Efficient space utilization** – Filters located in connector provides additional space on PCB board
- **Consistent performance** – Filtered connectors provide more consistent pin to pin performance
- **Fewer components** – Filtered connectors reduce component count creating cost savings
- **Reliability** – Spectrum Control tests 100% of filters, on-board filters are usually spot tested



D-Subminiature Connectors



On-Board Filters





Series F Ferrite Filtered Connectors

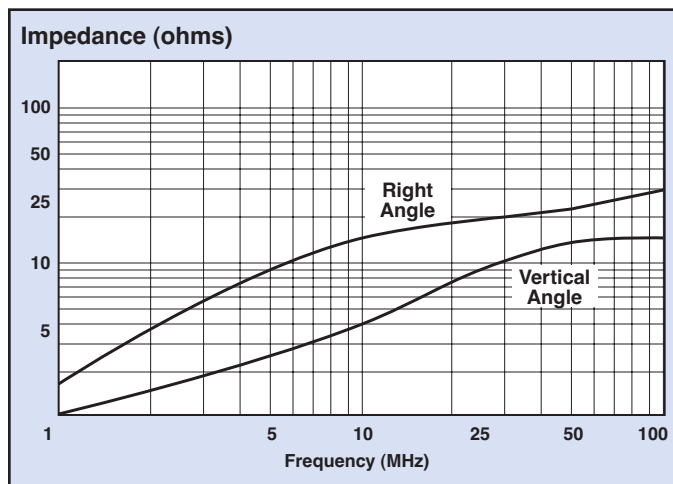
The Series F filtered D-subminiature connectors incorporate a solid slab of ferrite material as the filtering element. This rugged one piece design provides a compact connector that is a drop-in replacement for standard connectors. The ferrite material has been chosen for optimum filtering performance in the 10 to 300 MHz. range.

Series F Applications

- Personal computers, microcomputer-applied products and peripheral/terminal equipment
- Eliminates common-mode noise along data lines in data communication terminals and digital equipment

Features

- Low cost, high performance ferrite filter
- No distortion of wave forms
- Replaces individual ferrite bead filters, saving cost and space
- Provides both pin to ground and pin to pin filtering
- Effective in helping meet requirements of FCC, VDE, EN55022 and Japan's VCCI
- Short, space saving .318" footprint
- Interchangeable with standard D-subminiature connectors
- Can be installed directly over PCB trace pattern with no shorting
- 4-40 UNC locking insert eliminates loose hardware
- Metal shielding front shell
- Gold plated contacts
- RoHS compliant versions available (replace 56- with 56F)



Mechanical Specifications

Front Shell Steel (Tin Plated)
Housing UL 94V-0 Rated thermoplastic, black
Contacts Phosphor Bronze (sockets) or Brass (pins)
Contact Plating Gold Flash (<10µ in.) over Nickel
Operating Temperature -40°C to +105°C

Electrical Specifications

Frequency (MHz)	Impedance (Ohms)	
	Right Angle	Vertical
1	2	1
10	15	6
30	20	10
50	23	12
100	27	15

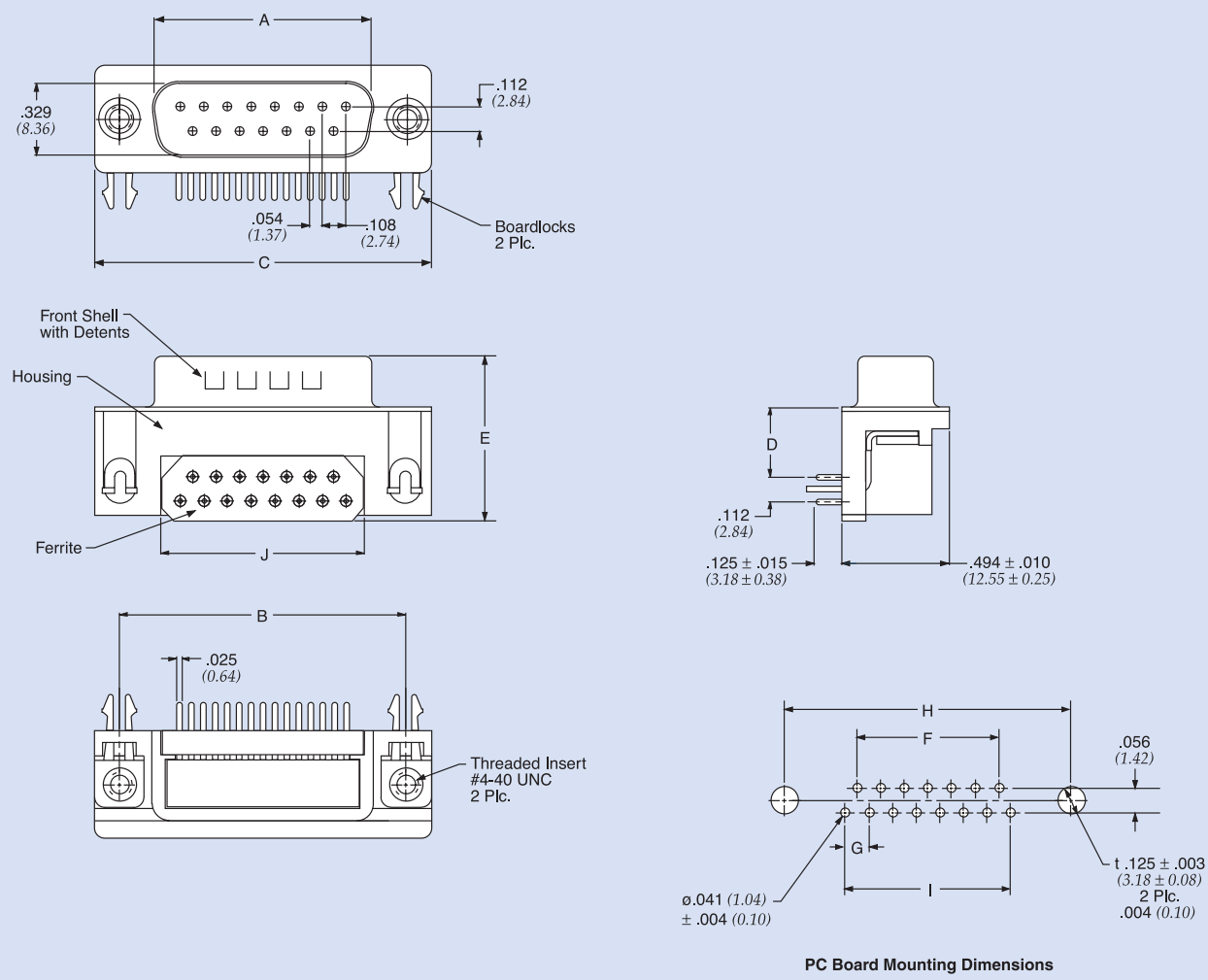
Frequency Range 10 – 300 MHz
Current Rating 5 Amps
Dielectric Withstand Voltage . . 1000 VAC for one minute
Insulation Resistance 1000 megohms Min. @ 500VDC

Filtered Connectors



Series F Ferrite Filtered Connectors

Pin Contact – Right Angle Mount



Filtered Connectors

Part Number	Description	Typ. Impedance (Ohms)		Frequency Range	A +/-	B +/-	C +/-	D +/-	E +/-	F +/-	G +/-	H +/-	I +/-	J +/-
		30 MHz	100 MHz		0.010	0.005	0.015	0.010	0.015	0.005	0.004	0.005	0.005	0.005
€ 56-402-001	D-Sub 9 pin			10 MHz to 300 MHz	0.666 (16.92)	0.984 (25.00)	1.213 (30.81)	0.318 (8.08)	0.751 (19.10)	0.324 (8.22)	0.108 (2.74)	0.984 (25.00)	0.432 (10.98)	0.606 (15.40)
€ 56-412-001	D-Sub 15 pin	20	27		0.994 (25.25)	1.312 (33.32)	1.541 (39.14)	0.318 (8.08)	0.751 (19.10)	0.648 (16.46)	0.108 (2.74)	1.312 (33.32)	0.756 (19.20)	0.929 (23.60)
€ 56-422-001	D-Sub 25 pin				1.534 (38.96)	1.852 (47.04)	2.088 (53.04)	0.318 (8.08)	0.751 (19.10)	1.196 (30.36)	0.110 (2.76)	1.852 (47.04)	1.304 (31.12)	1.476 (37.50)

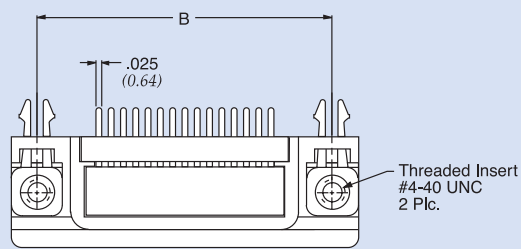
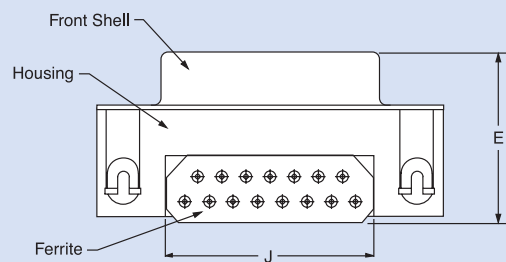
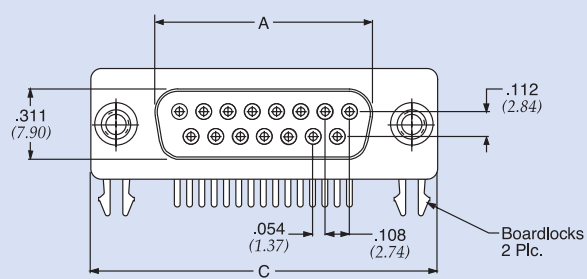
€ Also available through Spectrum Control's authorized European distributors/agents.

Dimensions in inches (mm)

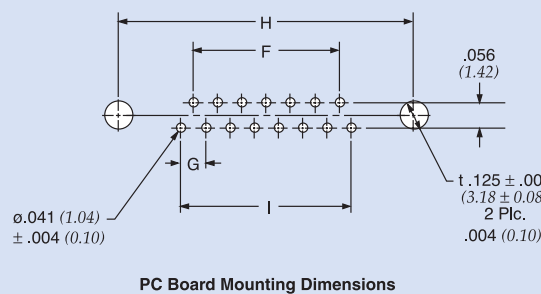
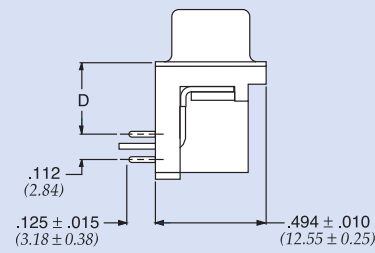
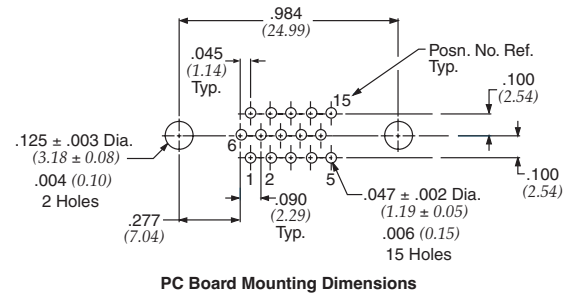
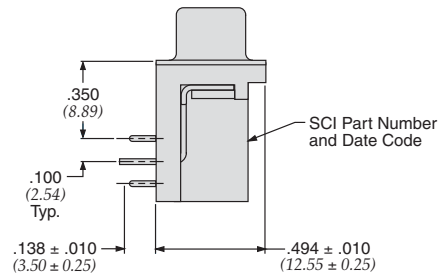


Series F Ferrite Filtered Connectors

Socket Contact – Right Angle Mount



*Hi-Density



Part Number	Description	Typ. Impedance (Ohms)		Frequency Range	A +/-	B +/-	C +/-	D +/-	E +/-	F +/-	G +/-	H +/-	I +/-	J +/-
		30 MHz	100 MHz		0.010	0.005	0.015	0.010	0.015	0.005	0.004	0.005	0.005	0.005
€ 56-404-001	D-Sub 9 socket			10 MHz to 300 MHz	0.643 (16.33)	0.984 (25.00)	1.213 (30.81)	0.318 (8.08)	0.755 (19.20)	0.324 (8.22)	0.108 (2.74)	0.984 (25.00)	0.432 (10.98)	0.606 (15.40)
€ 56-414-001	D-Sub 15 socket	20	27		0.971 (24.66)	1.312 (33.32)	1.541 (39.14)	0.318 (8.08)	0.755 (19.20)	0.648 (16.46)	0.108 (2.74)	1.312 (33.32)	0.756 (19.20)	0.929 (23.60)
€ 56-424-001	D-Sub 25 socket				1.511 (38.38)	1.852 (47.04)	2.088 (53.04)	0.318 (8.08)	0.755 (19.20)	1.196 (30.36)	0.110 (2.76)	1.852 (47.04)	1.304 (31.12)	1.476 (37.50)
€ 56-414-001-HD	Hi-Density 15 socket	16	26		0.643 (16.33)	0.984 (25.00)	1.213 (30.81)	* See inset drawing						

€ Also available through Spectrum Control's authorized European distributors/agents.

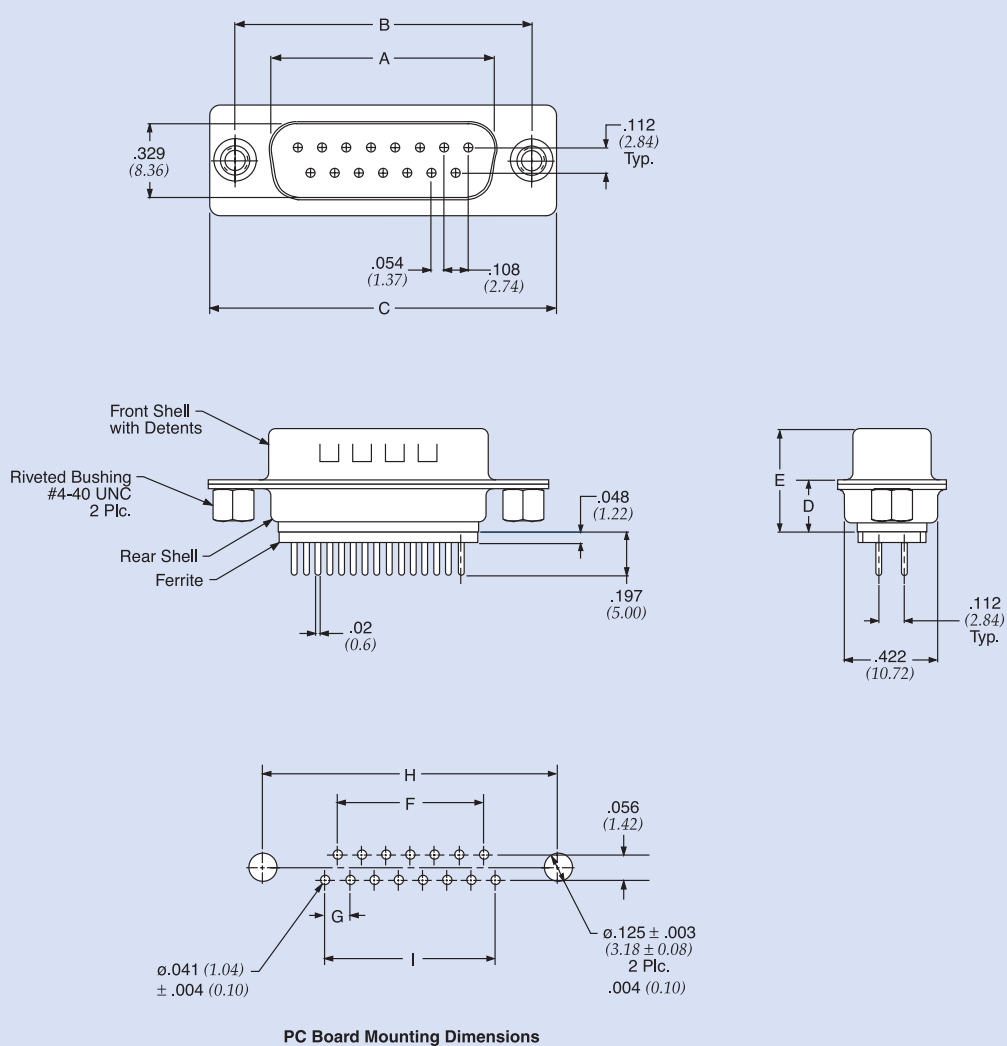
Dimensions in inches (mm)

Filtered Connectors



Series F Ferrite Filtered Connectors

Pin Contact – Vertical Mount



Filtered Connectors

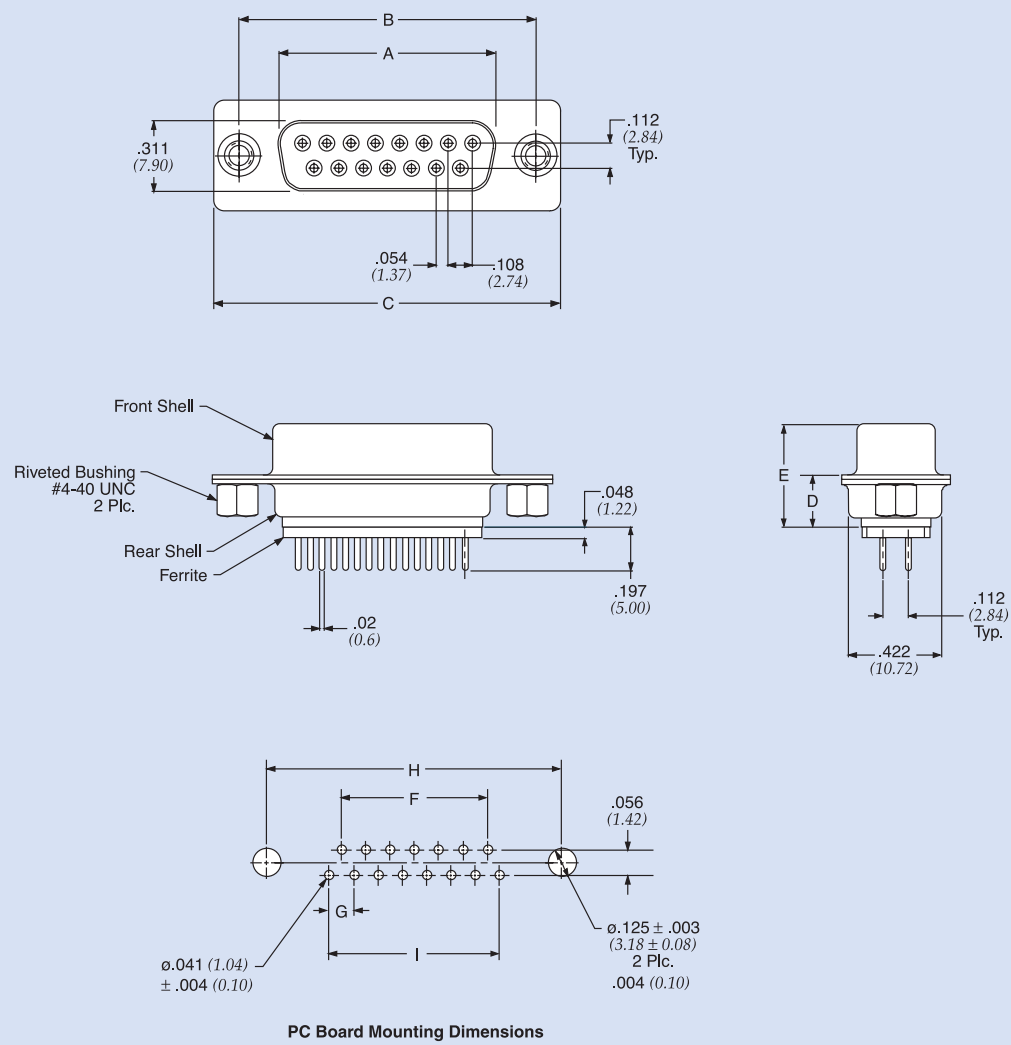
Part Number	Description	Typ. Impedance (Ohms)		Frequency Range	A +/- 0.010 (0.25)	B +/- 0.005 (0.13)	C +/- 0.015 (0.38)	D +/- 0.010 (0.25)	E +/- 0.015 (0.38)	F +/- 0.005 (0.13)	G +/- 0.004 (0.10)	H +/- 0.005 (0.13)	I +/- 0.005 (0.13)
		30 MHz	100 MHz										
56-407-001	D-Sub 9 pin	10	15	10 MHz to 300 MHz	0.666 (16.92)	0.984 (25.00)	1.213 (30.81)	0.236 (5.99)	0.468 (11.88)	0.324 (8.22)	0.108 (2.74)	0.984 (25.00)	0.432 (10.98)
56-417-001	D-Sub 15 pin				.994 (25.25)	1.312 (33.32)	1.541 (39.14)	0.236 (5.99)	0.468 (11.88)	0.648 (16.46)	0.108 (2.74)	1.312 (33.32)	0.756 (19.20)
56-427-001	D-Sub 25 pin				1.534 (38.96)	1.852 (47.04)	2.088 (53.04)	0.236 (5.99)	0.468 (11.88)	1.196 (30.36)	0.110 (2.76)	1.852 (47.04)	1.304 (31.12)

Dimensions in inches (mm)



Series F Ferrite Filtered Connectors

Socket Contact – Vertical Mount



Part Number	Description	Typ. Impedance (Ohms)		Frequency Range	A +/-	B +/-	C +/-	D +/-	E +/-	F +/-	G +/-	H +/-	I +/-
		30 MHz	100 MHz		0.010 (0.25)	0.005 (0.13)	0.015 (0.38)	0.010 (0.25)	0.015 (0.38)	0.005 (0.13)	0.004 (0.10)	0.005 (0.13)	0.005 (0.13)
56-403-001	D-Sub 9 socket	10	15	10 MHz to 300 MHz	0.643 (16.33)	0.984 (25.00)	1.213 (30.81)	0.236 (5.99)	0.472 (11.98)	0.324 (8.22)	0.108 (2.74)	0.984 (25.00)	0.432 (10.98)
56-413-001	D-Sub 15 socket				0.971 (24.66)	1.312 (33.32)	1.541 (39.14)	0.236 (5.99)	0.472 (11.98)	0.648 (16.46)	0.108 (2.74)	1.312 (33.32)	0.756 (19.20)
56-423-001	D-Sub 25 socket				1.511 (38.38)	1.852 (47.04)	2.088 (53.04)	0.236 (5.99)	0.472 (11.98)	1.196 (30.36)	0.110 (2.76)	1.852 (47.04)	1.304 (31.12)

Dimensions in inches (mm)



Series 100 Chip-Cap Filtered Connectors

These versatile and widely used PCB connectors are an inexpensive filtering method that eliminates the problem of conducted electromagnetic interference (EMI).

Chip-cap plug and receptacles are available in 9, 15, 25 and 37 positions. These connectors are "drop-in" replacements for non-filtered D-subminiature connectors with matched PCB footprints. Housings are made of UL 94V-0 rated thermoplastic material. Low cost front metal shells are compatible with full metal-shell threaded insert mating hardware. Integral boardlocks secure posted connectors to the PC board, prior to soldering.

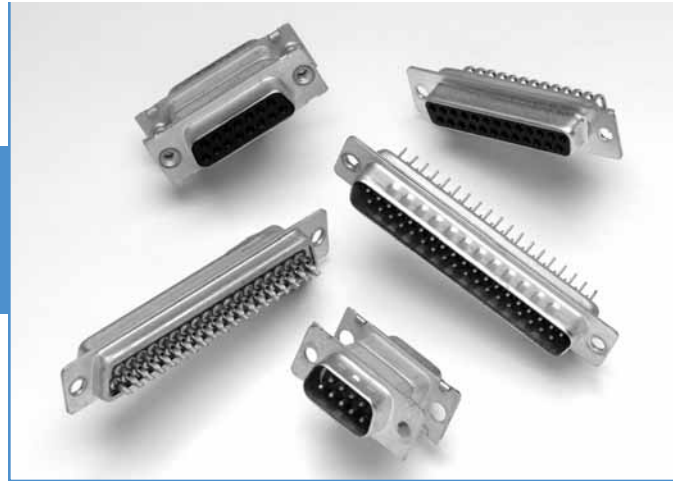
Features

- Offer economical, high performance EMI/RFI protection
- Matched .318", .405" and .590" PCB footprints mean "Drop-in" replacement for non-filtered connectors
- Low cost chip capacitors
- Connectors have industry standard interface
- Connector insulators made of UL 94V-0 rated high temperature, thermoplastic
- Connector body is recognized under the Component Program of Underwriters Laboratories, Inc. (E149046)
- Connector body is certified by the Canadian Standards Association

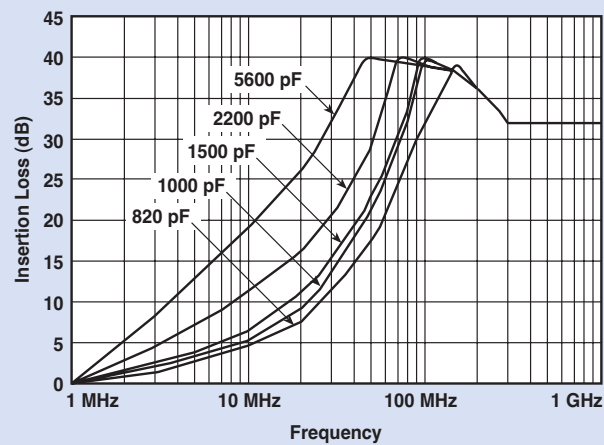
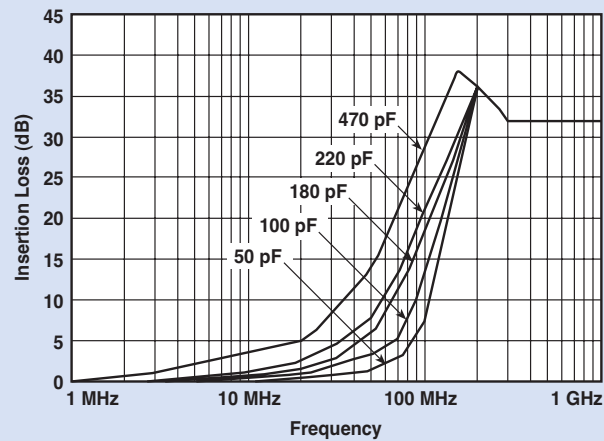
Mechanical Specifications

<i>Shells</i>	Steel, tin plated
<i>Insulators</i>	94V-0 rated thermoplastic, black
<i>Eyelets</i>	Brass, tin plated
<i>Threaded Inserts</i>	Zinc
<i>Boardlocks</i>	Copper alloy, tin plated
<i>Pin Contacts</i>	Brass
<i>Socket Contacts</i>	Phosphor Bronze
<i>Contact Plating</i>	Duplex plated as follows: 15uin (.38um) gold on mating end, with entire contact 50uin (1.27um) min. nickel underplated and flash gold finish

Filtered Connectors



Typical Insertion Loss



Performance Specifications

- Current Rating* 5 Amps
- Contact Resistance* 8 Milliohms max.
- Capacitance* 50, 100, 180, 220, 470, 820, 1,000, 1,500, 2,200, 5,600 pF and 47 nF ± 20% (custom valves and selective loading available)
- Dielectric Withstanding Voltage* 700 VDC min. for 5 sec.
- Insulator Resistance* 500 Megohms min. @ 100 VDC
- Working Voltage* 200 VDC (100 VDC for 47 nF)
- Operating Temperature* -55°C/+85°C

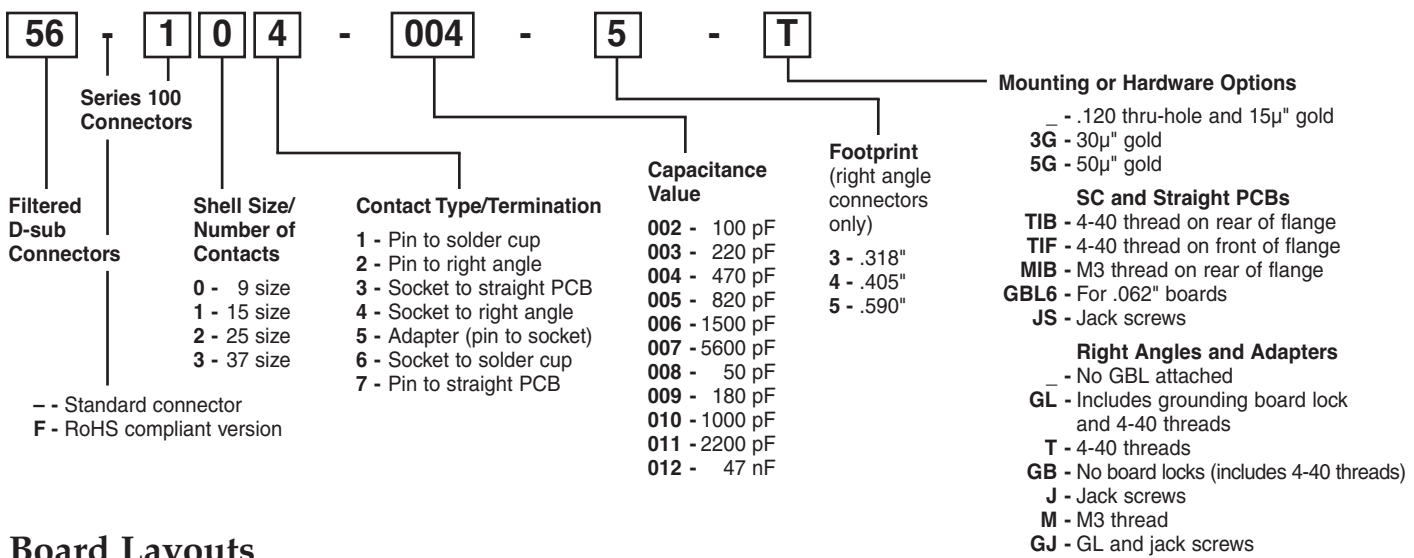


Series 100 Chip-Cap Filtered Connectors

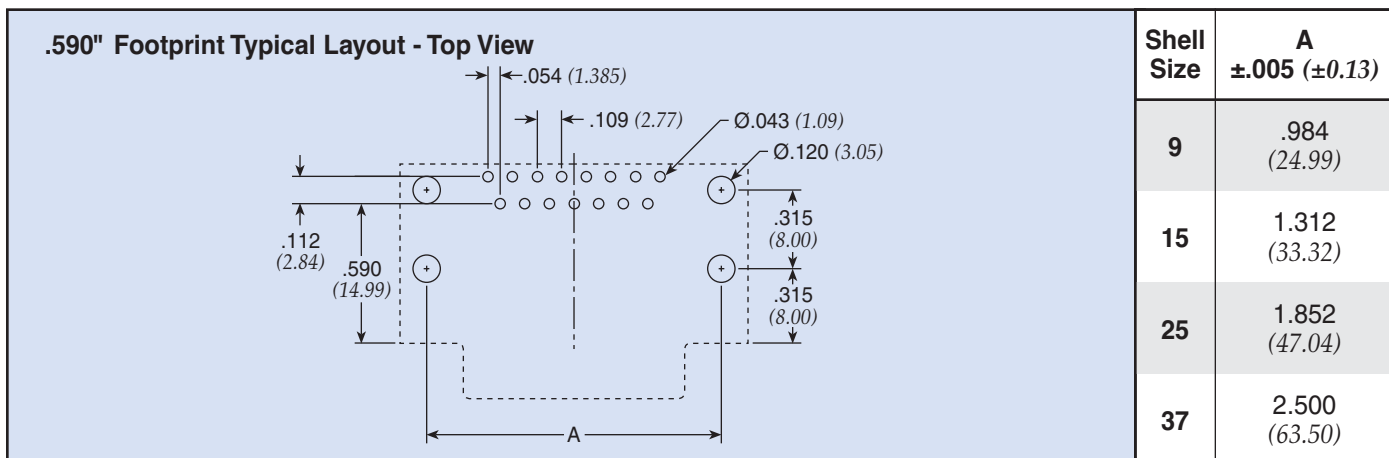
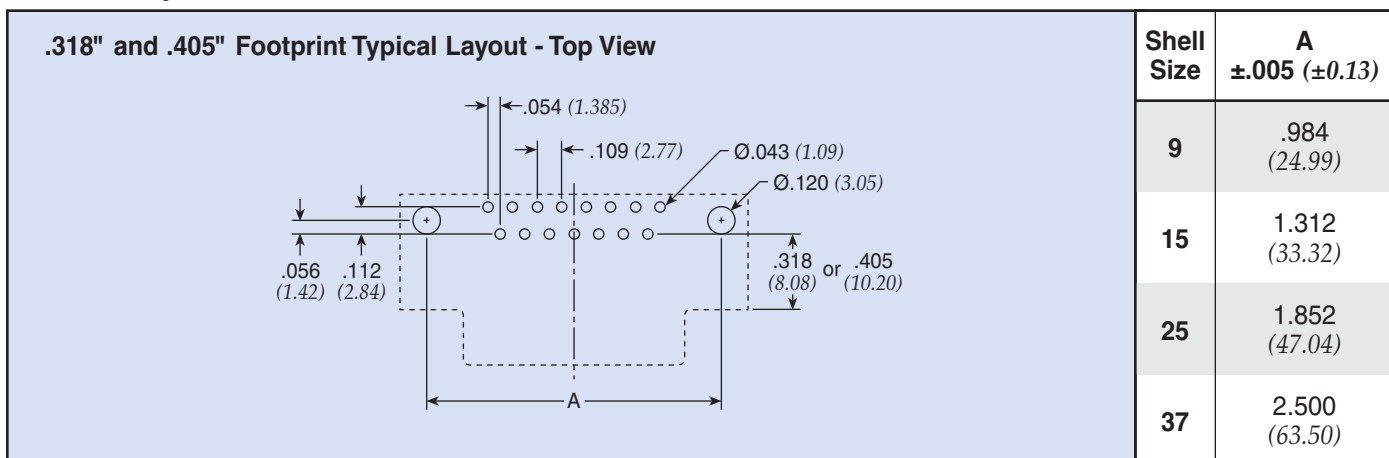
Ordering Information

Example: **56-104-004-5-T**

This part number represents a Series 100 connector with a shell size of 9 and a socket to right angle configuration. The capacitance value is 470 pF and the connector has a .590" footprint with 4-40 threads.



Board Layouts

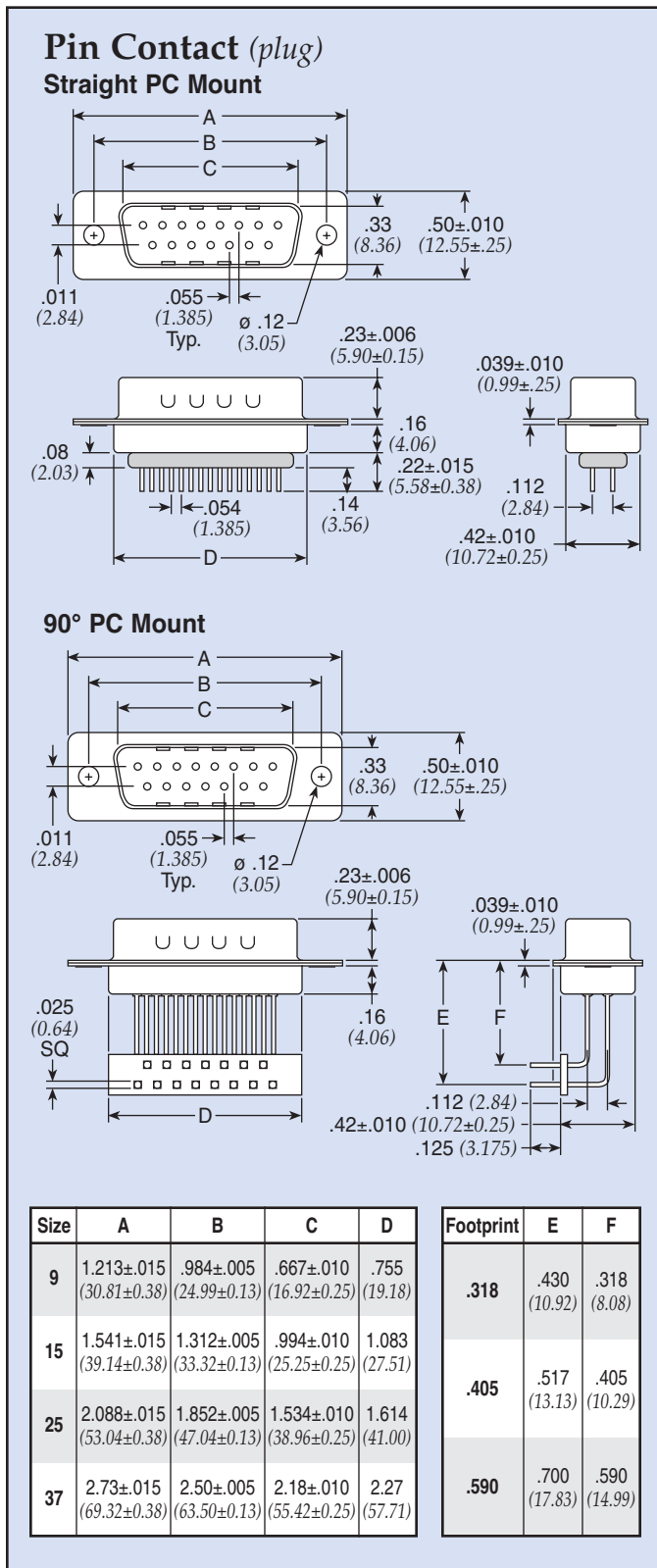


Dimensions in inches (mm)

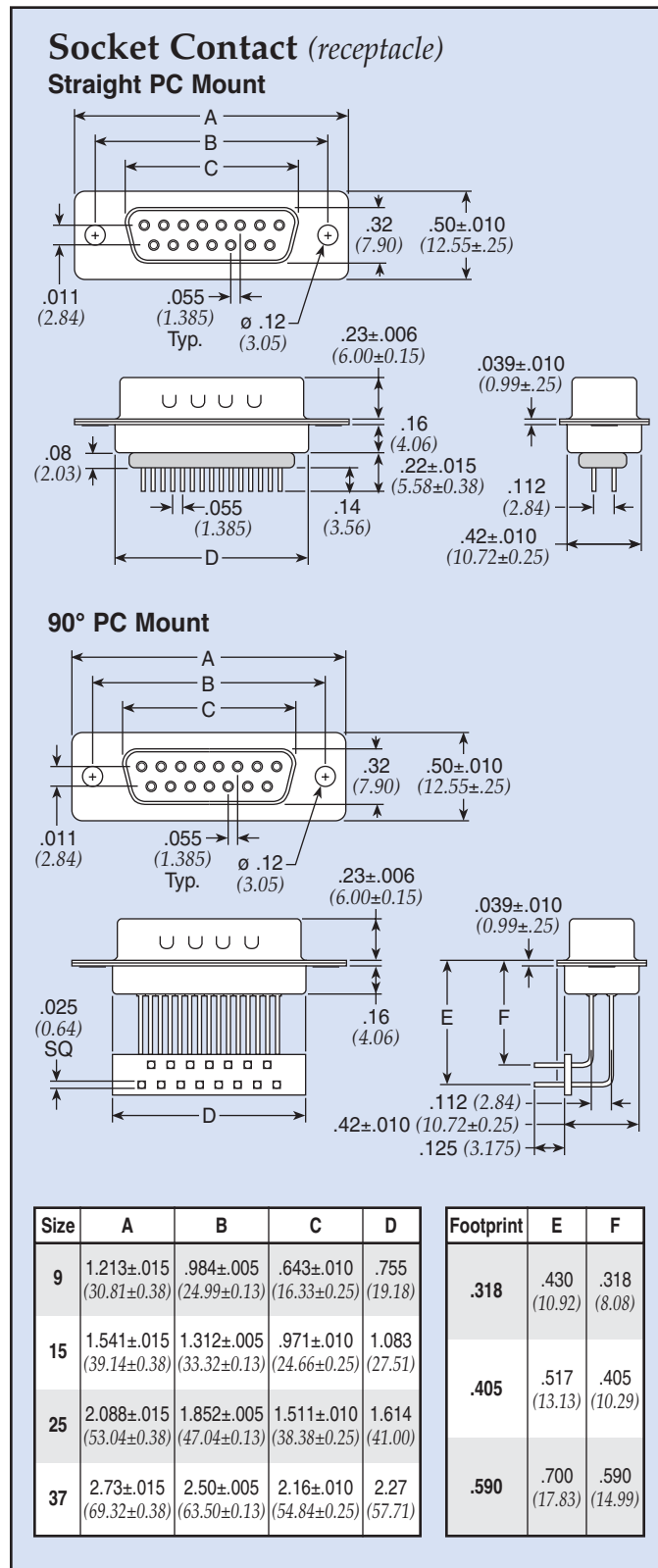


Series 100 Chip-Cap Filtered Connectors

Filtered Connectors



Dimensions in inches (mm)

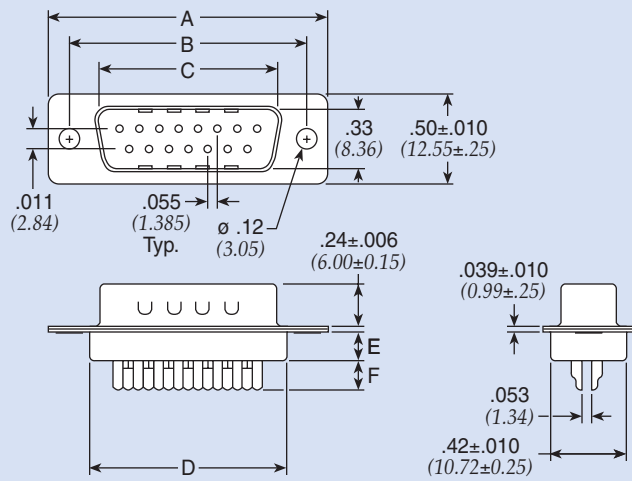


Dimensions in inches (mm)

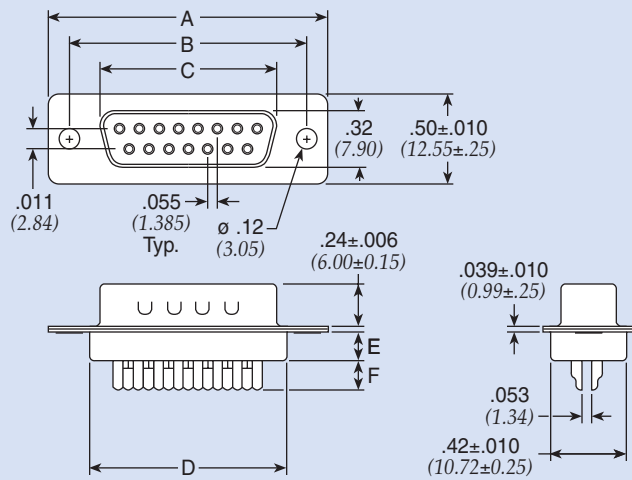


Series 100 Chip-Cap Filtered Connectors

Pin Contact (plug) Solder Cup Termination



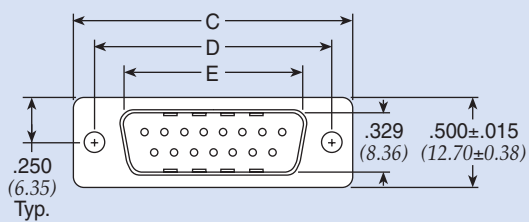
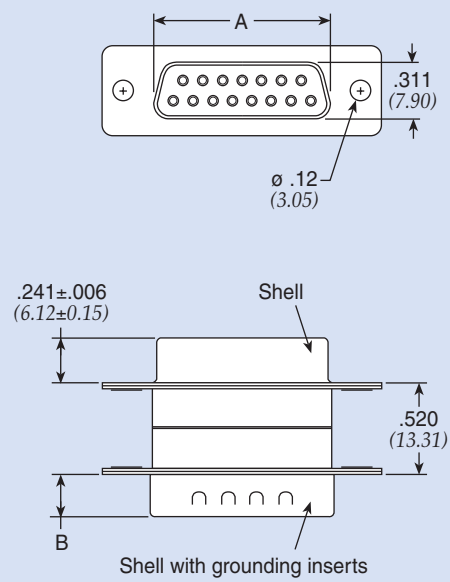
Socket Contact (receptacle) Solder Cup Termination



Size	A	B	C	D	E	F
9	1.213±.015 (30.81±0.38)	.984±.005 (24.99±0.13)	.643±.010 (16.33±0.25)	.755 (19.18)	.16 (4.06)	.16 (4.06)
15	1.541±.015 (39.14±0.38)	1.312±.005 (33.32±0.13)	.971±.010 (24.66±0.25)	1.083 (27.51)	.16 (4.06)	.16 (4.06)
25	2.089±.015 (53.04±0.38)	1.852±.005 (47.04±0.13)	1.511±.010 (38.38±0.25)	1.615 (41.00)	.16 (4.06)	.16 (4.06)
37	2.73±.015 (69.32±0.38)	2.50±.005 (63.50±0.13)	2.16±.010 (54.84±0.25)	2.27 (57.71)	.16 (4.06)	.16 (4.06)

Dimensions in inches (mm)

Pin - Socket Adapter



Size	A	B	C	D	E
9	.642 (16.31)	.233±.006 (5.92±.15)	1.213±.015 (30.81±.38)	.984 (24.99)	.667 (16.94)
15	.970 (24.64)	.233±.006 (5.92±.15)	1.541±.015 (39.14±.38)	1.312 (33.33)	.995 (25.27)
25	1.511 (38.38)	.228±.006 (5.80±.15)	2.088±.015 (53.04±.38)	1.852 (47.05)	1.532 (38.92)
37	2.158 (54.82)	.228±.006 (5.80±.15)	2.729±.015 (69.32±.38)	2.500 (63.50)	2.183 (55.45)

Dimensions in inches (mm)

Filtered Connectors



Series 500 Low Profile Filtered Connectors

Spectrum Control's Series 500 are cost effective, highly reliable EMI filtered D-subminiature connectors that feature a .318" footprint for 90 degree PCB connectors and a low profile housing on straight PCB connectors. Series 500 filtered D-sub are "drop-in" replacements for standard unfiltered D-sub connectors.

The ability of these connectors to achieve EMI filtering within the smaller footprint is the result of technical advances in ceramic capacitors. Series 500 connectors use tubular capacitors for high performance EMI filtering. Quality features for these connectors include board lock mounting, metal front shells and gold plated contacts.

Series 500 capacitive filtered D-sub connectors are an ideal solution to FCC/EC/VCCI emissions problems. These connectors are designed to protect equipment from external EMI noise and eliminate system glitches.

Series 500 Applications

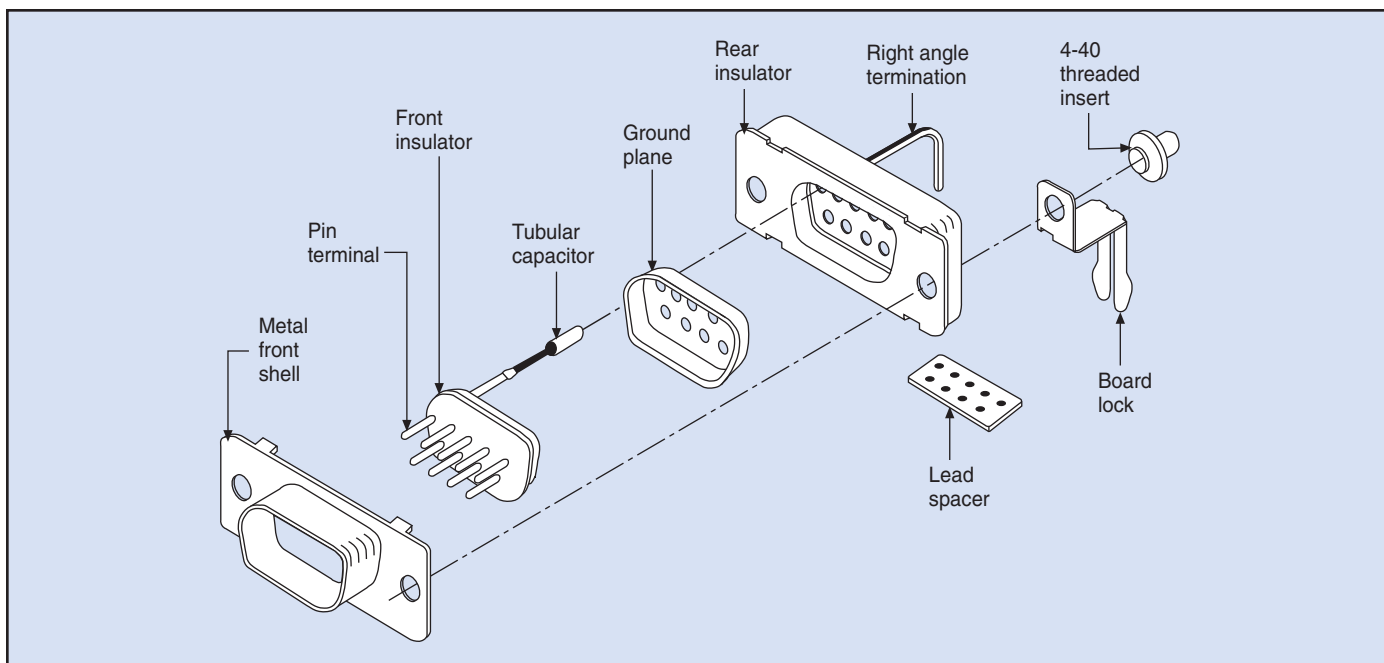
- Personal computers
- Industrial process equipment
- Graphics workstations
- PBX telecommunications equipment
- Cellular base stations and medical electronics



Features

- "Drop-in" replacements for unfiltered D-subminiatures
- Compact design, featuring .318" footprint
- Tubular feed-thru capacitors provide filtering superior to on-board components
- Ground plane design provides EMI shielding
- Full interchangeability; based on MIL-C-24308
- Each connector position is tested 100% for critical electrical parameters to ensure consistent performance
- Insulators are UL recognized UL94-V0 flammability rated
- 9, 15 and 25 shell sizes
- Available with board lock feature and 4-40 mounting threads
- Selective filtering available
- UL/CSA approved
- Greater than 40 dB filtering up through 1 GHz without resonances
- Bi-Directional control of EMI at the I/O ports

Filtered Connectors





Series 500 Low Profile Filtered Connectors



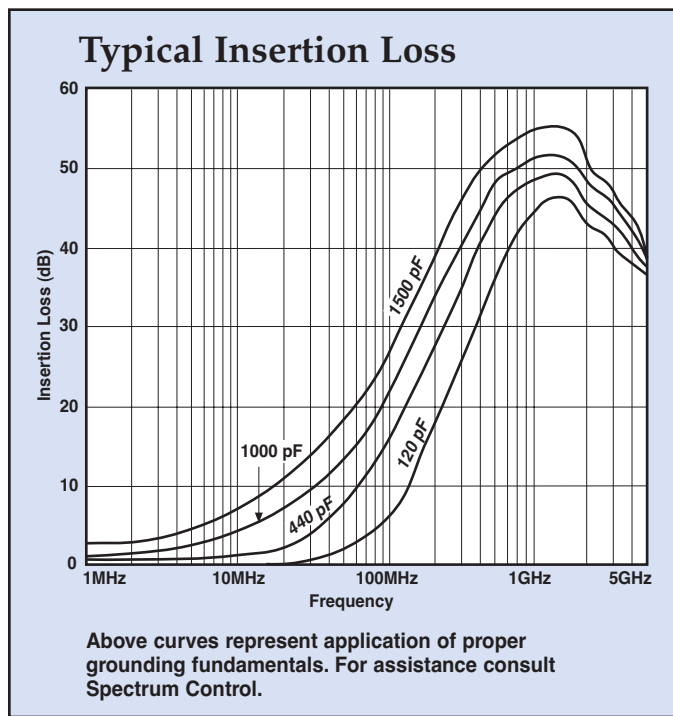
Mechanical Specifications

- Shell* Steel, tin plated
- Insulators* Glass-filled polyester, flammability UL94V-O
- Pin Contacts* Copper alloy CA725, 15 microinch (0.38 μ m) gold plated* over nickel
- Socket Contacts* Copper alloy CA725, 30 microinch (0.76 μ m) gold plated* over nickel
- *Heavier gold plating available upon request.
- Ground Plane* Phosphor bronze, nickel plated
- Operating Temperature* -40°C to +125°C
- Capacitors* Proprietary barium titanate ceramic formulations

Other environmental tests such as shock, vibration, humidity, etc. are performed as detailed in our filtered connector performance specifications on page 203.

Electrical Specifications

- Current Rating* 5 Amps
- RF Current Rating* 0.3 Amps
- Contact Resistance* 10 milliohms maximum
- Capacitance* 120, 440, 840, 1000, 1500 pF \pm 30%
- Working Voltage* 100 VDC
- Dielectric Withstanding Voltage* 300 VDC
- Insulation Resistance* 1 Gohm minimum
- UL Recognized* Under category of communication circuit accessories, File #E149046



840 pF is typically within 2 dB of 1000 pF curve.

Filter Performance

Cap. (pF) Value \pm 30%	3 dB Cut-off Freq. (MHz)	Insertion Loss (dB)					
		20 MHz	100 MHz	500 MHz	1 GHz	2 GHz	5 GHz
120	40	—	4	21	26	26	20
440	11	3	15	27	33	32	25
840	6	6	19	32	38	37	25
1000	3	8	21	35	41	38	25
1500	2	10	25	40	47	42	25

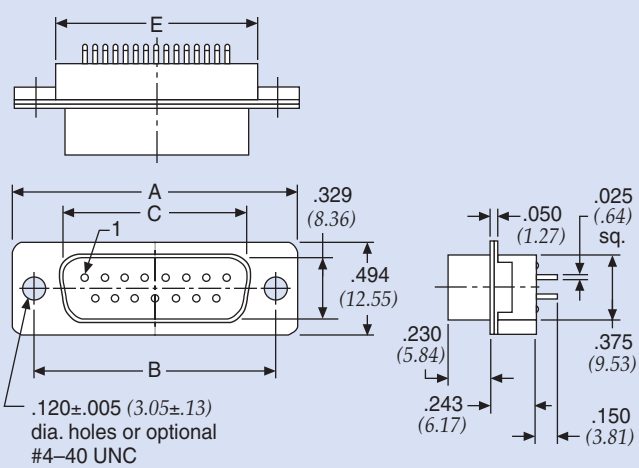
Insertion loss measured per MIL-STD-220, no load, 50 ohm source and load. Above data represents guaranteed minimum.

Filtered Connectors

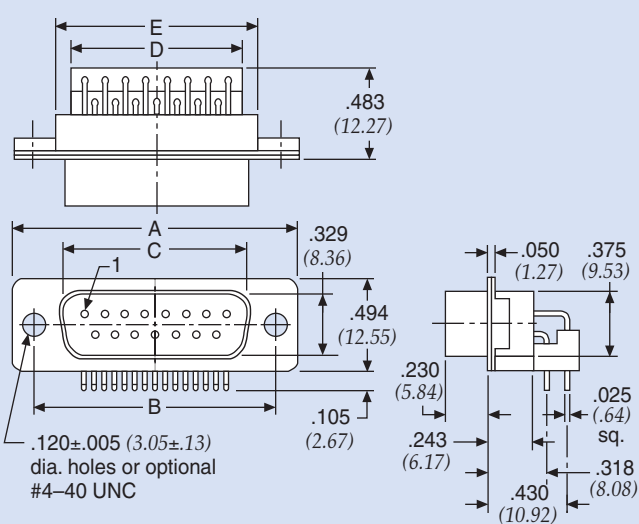


Series 500 Low Profile Filtered Connectors

Pin Contact (plug) Straight PC Mount



90° PC Mount

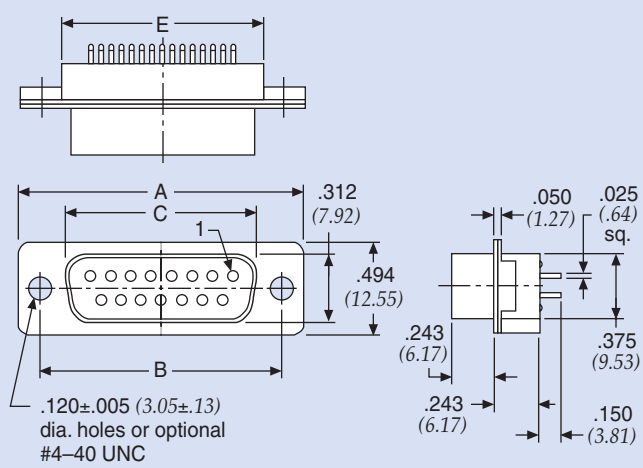


Size	A	B	C	D	E
9	1.213 (30.81)	0.984 (24.99)	0.666 (16.92)	0.540 (13.72)	0.748 (19.00)
15	1.541 (39.14)	1.312 (33.32)	0.994 (25.25)	0.867 (22.02)	1.076 (27.33)
25	2.088 (53.04)	1.852 (47.04)	1.534 (38.96)	1.412 (35.86)	1.616 (41.05)

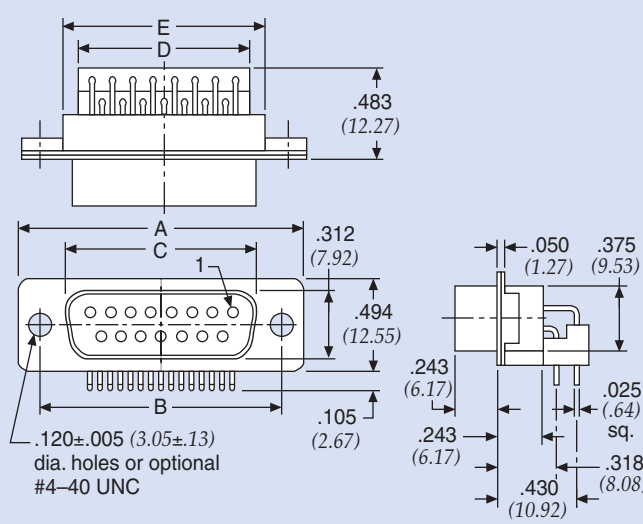
Standard Tolerance = ±.015 (0.38)

Dimensions in inches (mm)

Socket Contact (receptacle) Straight PC Mount



90° PC Mount



Size	A	B	C	D	E
9	1.213 (30.81)	0.984 (24.99)	0.642 (16.31)	0.540 (13.72)	0.748 (19.00)
15	1.541 (39.14)	1.312 (33.32)	0.970 (24.64)	0.867 (22.02)	1.076 (27.33)
25	2.088 (53.04)	1.852 (47.04)	1.510 (38.35)	1.412 (35.86)	1.616 (41.05)

Standard Tolerance = ±.015 (0.38)

Dimensions in inches (mm)

Filtered Connectors



Series 500 Low Profile Filtered Connectors

Ordering Information

Example: **56-524-013-GBL**



56
Filtered D-sub Connectors

5
Series 500 Connectors

Shell Size/Number of Contacts
0 - 9 size
1 - 15 size
2 - 25 size

Contact Type/Termination
2 - Pin to 90° PCB mount
3 - Socket to straight PCB mount
4 - Socket to 90° PCB mount
7 - Pin to straight PCB mount

This part number represents a Series 500 filtered D-sub connector with 25 contacts, socket to 90° PCB mount configuration. The filter has a capacitance value of 1000 pF and the connector includes a grounded board lock.

For special needs or combinations of features, contact Spectrum Control engineering.

Capacitance Value
010 - 120 pF
011 - 440 pF
012 - 840 pF
013 - 1000 pF
014 - 1500 pF

Mounting or Hardware Options

TI - 4-40 threads on mounting flange (.120" (3.05mm) hole if not selected)
GBL - Grounded board lock, includes 4-40 threads (available only on 90° PCB)
GBLF - Grounded board lock and ferrite slab, provides the enhanced performance of an (LC) filter (available only on 90° PCB)

-- Standard connector
F - RoHS compliant version

GBL Option

Features

- Snap-in retention to PC board, requires no hardware
- Ensures low ground impedance for superior filtering
- 4-40 threads on mounting flange eliminate loose hardware

Dimensions in inches (mm)

Board Layout

Shell Size	A	B	C	D
9	.984 (24.99)	.436 = 4 x .109 (11.07 = 4 x 2.77)	.327 = 3 x .109 (8.31 = 3 x 2.77)	.492 (12.50)
15	1.312 (33.32)	.763 = 7 x .109 (19.38 = 7 x 2.77)	.654 = 6 x .109 (16.61 = 6 x 2.77)	.656 (16.66)
25	1.852 (47.04)	1.308 = 12 x .109 (33.22 = 12 x 2.77)	1.199 = 11 x .109 (30.45 = 11 x 2.77)	.926 (23.52)

Typical Layout for .318" (8.08) Footprint

Dimensions in inches (mm)

Filtered Connectors



Series 600 Hi-Density Filtered Connectors

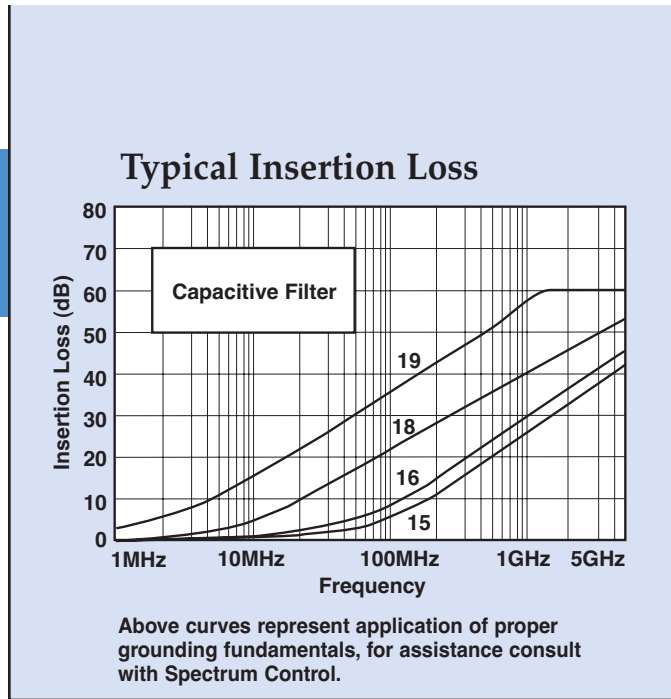
The miniaturization of electronic systems and sub-systems is pushing designers to increase circuit densities within smaller packages. To address this growing need, Spectrum Control has developed a line of filtered Hi-Density D-subminiature connectors. This new line of connectors incorporates the high performance and reliable filtering of Spectrum's standard D-sub's in the Hi-Density format.

Features

- Connectors designed to MIL-C-24308
- Capacitance values from 85 pF to 4000 pF
- Filter type feed-thru C
- Selectively specify and filter each contact position
- Available in feed-thru capacitive configurations

Mechanical Specifications:

Same as Series 700 connectors, page 150.



Insertion loss measured per MIL-STD-220, no load, 50 ohm source and load.

Electrical Specifications

Current Rating 3 Amps

RF Current Rating . . 0.3 Amps

Contact Resistance . . 15 milliohms maximum

UL Recognized. . . . Under category of communication circuit accessories, File #E149046

Electrical Specifications: Hi-Density Connectors

Filter Designations	Filter Circuits	Capacitance		3 dB Cut-off Frequency Max. (MHz)	Dielectric With-standing Voltage	Working Voltage DC -55°C to +125°C	Minimum Insertion Loss - Decibels (dB)									
		Value	Tol.				5 MHz	10 MHz	20 MHz	50 MHz	100 MHz	200 MHz	500 MHz	1 GHz	2 GHz	5 GHz
15	C	85 pF	±25%	60	300V	100V	—	—	—	—	1	6	16	21	22	20
16		180 pF	±25%	28	300V	100V	—	—	—	1	8	10	18	25	26	24
18		1000 pF	±25%	5.1	300V	100V	—	3	8	14	20	25	32	35	41	39
19		4000 pF	±25%	1.3	300V	100V	8	13	19	26	31	37	45	48	52	47

Filter designation "G" for grounded contacts, "I" for insulated (not filtered) contacts. Filter designation "O" for omitted contact and no hole in ground plane.

Above data represents guaranteed minimum.

Ordering Information

Example: **56-605-015-LI**



D-Sub Connector
Hi-Density

Shell Size**
0 = 15
1 = 26
2 = 44
3 = 62
4 = 78

Contact/Termination
1 - Pin to solder cup
2 - Pin to 90° PCB mount*
3 - Socket to PCB mount
4 - Socket to 90° PCB*
5 - Pin-socket adapter
7 - Pin to PCB mount

Special
0 = All positions same
9 = Special loading

Filter Designation
15 - 85 pF FT
16 - 180 pF FT
18 - 1,000 pF FT
19 - 4,000 pF FT
20 - Insulated contact

Options
LI = 4-40 inserts
S = Solder dip tails
50G = μ gold
GBL = Grounding board lock

- Standard connector
F - RoHS compliant version

** Some shell sizes require minimum order quantity. Consult Spectrum Control for details.
Note: VGA adapters also available. Consult factory

This part number represents a Series 600 Hi-Density filtered D-Sub connector with 15 contacts, pin-socket adapter configuration. The FT filters have a capacitance value of 85 pF and the connector includes 4-40 locking inserts.



Series 600 Hi-Density Filtered Connectors



Pin/Socket Adapter

Size	A	B	C	D	E	F	G
15	1.213 (30.81)	.984 (24.99)	.640 (16.26)	.304 (7.72)	.505 (12.83)	.666 (16.92)	.333 (8.46)
26	1.541 (39.14)	1.312 (33.32)	.968 (24.59)	.304 (7.72)	.505 (12.83)	.994 (25.25)	.333 (8.46)
44	2.088 (53.04)	1.852 (47.04)	1.508 (38.30)	.304 (7.72)	.505 (12.83)	1.534 (38.96)	.333 (8.46)
62	2.729 (69.32)	2.500 (63.50)	2.156 (54.76)	.304 (7.72)	.505 (12.83)	2.182 (55.42)	.333 (8.46)
78	2.635 (66.93)	2.406 (61.11)	2.062 (52.37)	.416 (10.57)	.615 (15.62)	2.079 (52.81)	.420 (11.18)

Pin or Socket to Solder Cup, PCB Mount and 90° PCB Mount

Size	A	B	C	D	E	F	G
15	1.213 (30.81)	.984 (24.99)	.505 (12.83)	.666 (16.92)	.333 (8.46)	.757 (19.23)	.420 (10.67)
26	1.541 (39.14)	1.312 (33.32)	.505 (12.83)	.994 (25.25)	.333 (8.46)	1.085 (27.56)	.420 (10.67)
44	2.088 (53.04)	1.852 (47.04)	.505 (12.83)	1.534 (38.96)	.333 (8.46)	1.625 (41.28)	.420 (10.67)
62	2.729 (69.32)	2.500 (63.50)	.505 (12.83)	2.182 (55.42)	.333 (8.46)	2.273 (57.73)	.420 (10.67)
78	2.635 (66.93)	2.406 (61.11)	.615 (15.62)	2.079 (52.81)	.440 (11.18)	2.170 (55.12)	.527 (13.39)

Dimensions in inches (mm)

Filtered Connectors



Hi-Density Filtered Adapter for Telecommunications

Within the telecommunications industry, it has been standard practice to use an adapter (male/female) type of EMI filtered connector as the interface between the switching system electronics and the premise wiring. These filtered adapters provide effective containment of EMI compared to either D-subminiature or 50-position "ribbon" contact type connectors.

The following several factors have mandated the development of a new generation of filtered adapters.

Special Requirements

- Higher density wiring
- The need for more contacts, usually a multiple of 16
- Higher reliability contact geometries
- Bellcore TR-NWT-001089 requirements
 - 1000 volts AC withstand for one minute
 - 2500 volts spike surge testing
- Improved flammable resistant plastic insulators

Spectrum Control, in response to these unique requirements of the telecommunication industry, has developed a new Hi-Density filtered adapter.

Features

- New ceramic technology and filter element construction to accept higher voltages
- Improved reliability compared to "ribbon" type connectors
- Integral ground plane and one-piece diecast housing for the highest level of EMI integrity
- More contacts/wires per square inch of panel space through Hi-Density arrangements
- 64 contact positions standard, with 78 positions available by request in any filter combination

Filtered Connectors



Mechanical Specifications

<i>Shell</i>	Zinc diecast, nickel plated 150 μ inches (3.81 μ m) min.
<i>Insulators</i>	Thermoplastic, UL94V-0
<i>Contacts</i>	One-piece, screw machined Copper alloy, contact area plated 50 μ inches (1.27 μ m) gold over 50 μ inches (1.27 μ m) nickel
<i>Ground Plane</i>	Brass, solder plated
<i>Grounding Springs</i>	Beryllium copper, tin plated per MIL-T-10727
<i>Operating Temperature</i>	-55°C to +125°C
<i>Capacitor</i>	High performance ceramic feed-thru utilizing ultra low ESR design

Electrical Specifications

<i>Rated Voltage</i>	100 VDC
<i>Current Rating</i>	3 Amps
<i>DC Resistance</i>	15 milliohm max.
<i>Dielectric Withstanding Voltage</i>	1000 VRMS (FCC Part 68 test)
<i>Capacitance</i>	1000 pF, \pm 25%
<i>Voltage Surge</i>	meets 2500 volts surge (10/1000) (See Wave form figure on next page)



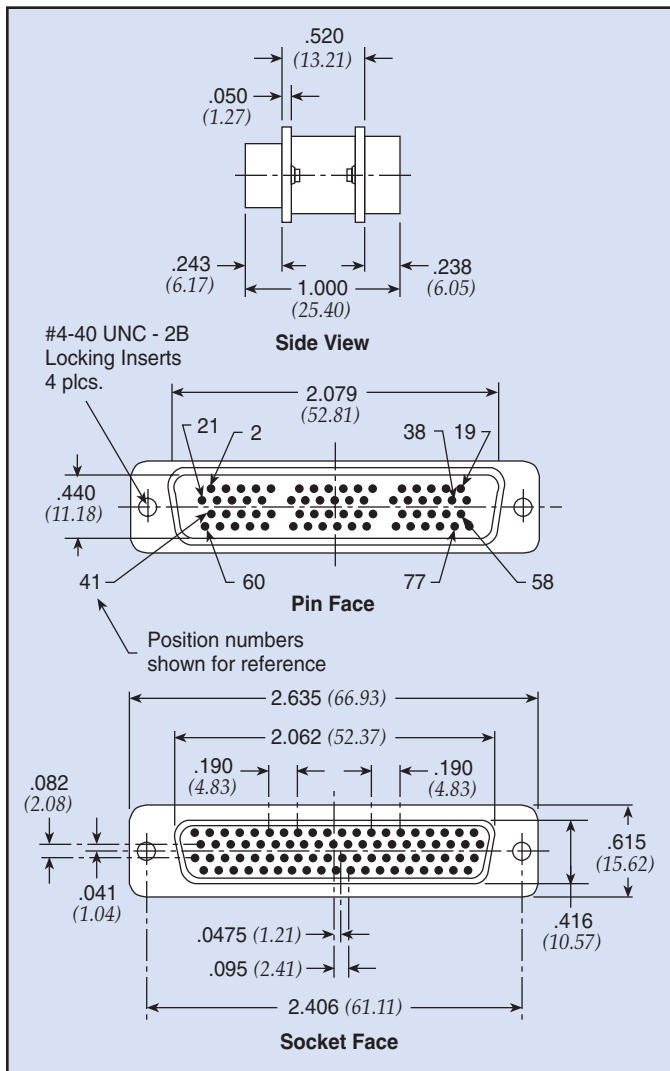
Hi-Density Filtered Adapter for Telecommunications

Filter Performance

Minimum Insertion Loss	
20 MHz	7 dB
50 MHz	14 dB
100 MHz	20 dB
500 MHz	32 dB
1 GHz	35 dB
2 GHz	41 dB
5 GHz	39 dB

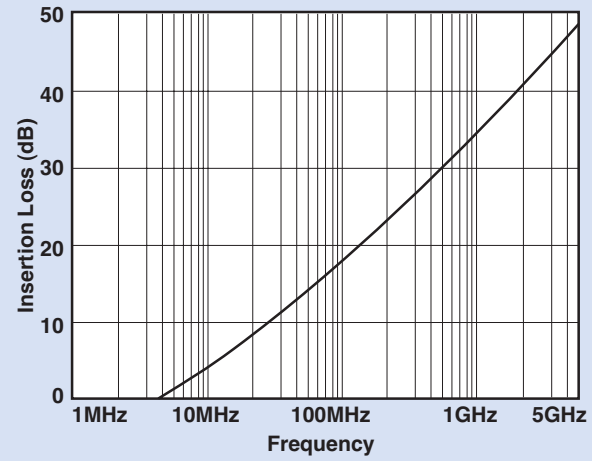
Insertion loss measured per MIL-STD-220, no load, 50 ohm source and load. Above data represents guaranteed minimum.

Part Number for Ordering: #56-645-002



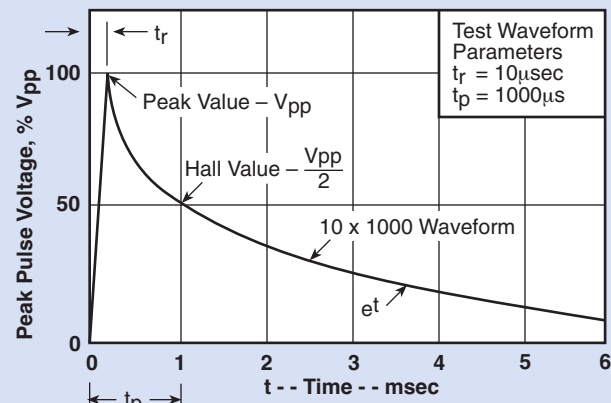
Dimensions in inches (mm)

Typical Insertion Loss



Above curves represent application of proper grounding fundamentals, for assistance consult with Spectrum Control.

Pulse Wave Form* (10 x 1000)



* Reference Bellcore TR-NWT-1089, $V_{pp} = 1000\text{V}$

Filtered Connectors



Series 700 High Performance Filtered Connectors

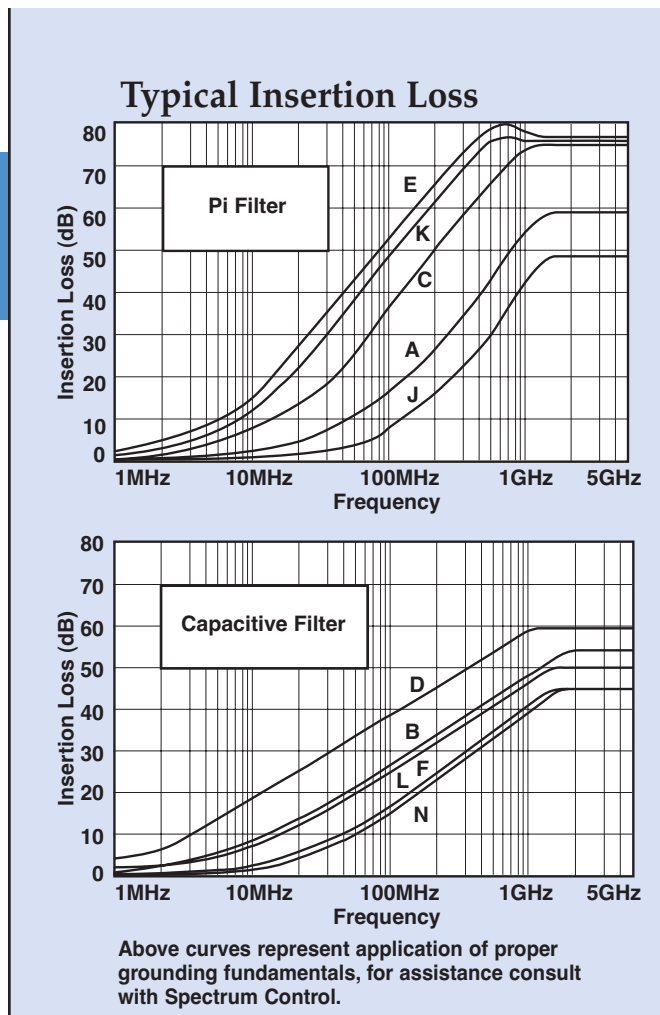
Filter Selection

Spectrum Control Series 700 connectors offer the highest performance filtering for all types of professional applications.

Features

- Available in 9, 15, 25, 37 and 50 shell sizes
- Variety of termination configurations including right angle and straight PCB for both pin and socket contact and as an adapter
- Capacitive and Pi type filters in a full range of capacitance values

The catalog data for this series is presented in order of shell size, and grouped by pin and socket contacts. Part numbers must be selected from the tables within the series section.



Insertion loss measured per MIL-STD-220, no load, 50ohm source and load.

Electrical Specifications: High Performance Connectors

Filter Designations	Filter Circuits	Capacitance		3 dB Cut-off Frequency Max. (MHz)	Dielectric With-standing Voltage	Working Voltage DC -55°C to +125°C	Minimum Insertion Loss - Decibels (dB)									
		Value	Tol.				5 MHz	10 MHz	20 MHz	50 MHz	100 MHz	200 MHz	500 MHz	1 GHz	2 GHz	5 GHz
J	Pi	100 pF	+100 -0%	32	300V	100V	—	—	—	2	6	11	27	40	43	40
A		310 pF	±20%	17	300V	100V	—	—	3	7	13	21	36	43	50	45
C		1000 pF	+100 -0%	3.2	300V	100V	—	5	9	19	30	43	62	70	68	63
K		2500 pF	+100 -0%	1.3	150V	50V	8	13	18	33	45	58	73	78	70	65
E		4000 pF	+100 -0%	0.8	150V	50V	8	13	20	35	48	61	76	80	70	65
N	C	375 pF	±20%	14	600V	200V	—	—	2	7	13	20	29	35	30	29
L		500 pF	±20%	10.6	600V	200V	—	—	3	10	15	22	31	37	33	31
F		830 pF	±20%	6.4	600V	200V	—	4	9	16	22	28	35	39	38	36
B		1000 pF	+100 -0%	3.2	600V	200V	—	5	10	17	23	30	37	43	44	42
D		5000 pF	+100 -0%	0.64	300V	100V	10	16	22	30	35	41	50	52	52	50

Filter designation "G" for grounded contacts, "I" for insulated (not filtered) contacts.
Filter designation "O" for omitted contact and no hole in ground plane.

Above data represents guaranteed minimum.



Series 700 Specifications and Connector Ordering

Mechanical Specifications

- Shell* Zinc diecast, nickel plated
150 μ inches (3.81 μ m) min.
- Insulators* Glass-filled polyester,
flammability UL94V-0
- Pin Contacts* Copper alloy, 15 μ inches
(0.38 μ m) gold plated * over nickel
- Socket Contacts* Copper alloy, 30 μ inches
(0.76 μ m) gold plated * over nickel

* Heavier gold plating available upon request.
See pg. 169: Connector Options
- Terminations* Gold flash for PCB mount and solder
cups. Solder dipped also available.
- Ground Plane* Brass, solder plated
- Grounding Springs* Beryllium copper, tin plated per
MIL-T-10727
- Operating Temperature* -55°C to +125°C
- Capacitors* Proprietary barium titanate
ceramic formulations

Electrical Specifications

- Current Rating* 5 Amps
 - R.F. Current Rating* 0.3 Amps
 - Contact Resistance* 10 milliohms maximum
 - UL Recognized* Under category of communication
circuit accessories, File #E149046
 - Inductance on PI Filters* ~ 860 nH between 100 kHz and 1 MHz
- Solder cups accept up to a 20 gauge wire

Note:
For additional mechanical, electrical, and environmental specifications, refer to page 201.

Ordering Your Connector

STEP 1: SELECTING THE FILTER

- Using the insert loss graphs on page 149 determine which filters provide the required attenuation at the troublesome frequency, while not affecting the signal frequency by more than 3 to 6 dB.
- Choose the filter type, either feed-thru capacitor or Pi. The Pi is generally considered better due to its superior high frequency performance and steeper curve. The feed-thru capacitor is lower cost.
- Select capacitance value.
- Note the Spectrum letter designation for the filter chosen from the table on page 149.

STEP 2: SELECTING THE CONNECTOR

- Turn to the appropriate size section. (9, 15, 25, 37, 50)
- Choose either pin contacts (plug) or socket contacts (receptacle).
- Choose the required termination type.
- From the table on the appropriate connector page, using the filter letter designation chosen in step 1 above, select the part number.

STEP 3: SPECIFYING OPTIONS

- Refer to page 172 for special options including heavy gold plating, 4-40 mounting threads, grounding brackets, hardware, and others.
- Most options are available within the standard lead times.
- Some options require a part number suffix, while other combinations may require factory assistance for part number assignment. If a suffix is shown, add it to your selected part number. If more than one option is needed, consult with factory for part number assignment.

Filtered Connectors



9 Series 700 Pin Contact

Shell Size



Printed Circuit Board Mount

Spectrum Part Number	EMI Filter	
	Filter Designation**	Cap. Value
56-701-001	A	310 pF Pi
56-701-002	B	1000 pF C
56-701-003	C	1000 pF Pi
56-701-004	D	5000 pF C
56-701-005	E	4000 pF Pi
56-701-028	F	830 pF C
56-701-029	J	100 pF Pi
56-701-030	K	2500 pF Pi
56-701-047	N	375 pF C
56-701-086	L	500 pF C

Mating Face
 .666 (16.92) 1.213 (30.81) .494 (12.55)
 .984 (24.99) .329 (8.36)

Termination Face
 .757 (19.23) 10° .420 (10.67)
 .120 ± .005 DIA. HOLES (3.05 ± 0.13 DIA. HOLES)

Side View
 .050 (1.27) .238 (6.05) .025 SQ. (.64 SQ.)
 .150 (3.81) ∅ .408 (10.36) ∅

Printed Circuit Board Right Angle Mount

Spectrum Part Number	EMI Filter	
	Filter Designation**	Cap. Value
* 56-702-001	A	310 pF Pi
56-702-002	B	1000 pF C
* 56-702-003	C	1000 pF Pi
56-702-004	D	5000 pF C
* 56-702-005	E	4000 pF Pi
56-702-007	F	830 pF C
56-702-008	J	100 pF Pi
56-702-009	K	2500 pF Pi
56-702-013	N	375 pF C
* 56-702-033	L	500 pF C

Mating Face
 .666 (16.92) 1.213 (30.81) .329 (8.36) .494 (12.55)
 .984 (24.99)

Termination Face
 .120 ± .005 DIA. HOLES (3.05 ± 0.13 DIA. HOLES)
 .757 (19.23) 10° .420 (10.67)
 .020 ± .005 (51 ± 13)

Bottom View
 .12R (3.05R) .618 (15.70) .540 (13.72) ∅
 .290 (7.37) .275 (6.99) .740 (18.80) ∅
 .125 ± .005 DIA. HOLES (3.18 ± .13 DIA. HOLES)

Side View
 .105 (2.67) ∅ .590 (14.99) ∅ .025 SQ. (.64 SQ.)
 .702 (17.83) ∅

* May be available from distributor stock.
 ** See page 149 for filter performance.
 Standard Tolerance = ±.005 except where noted, ∅ = ±.015

Dimensions in inches (mm)



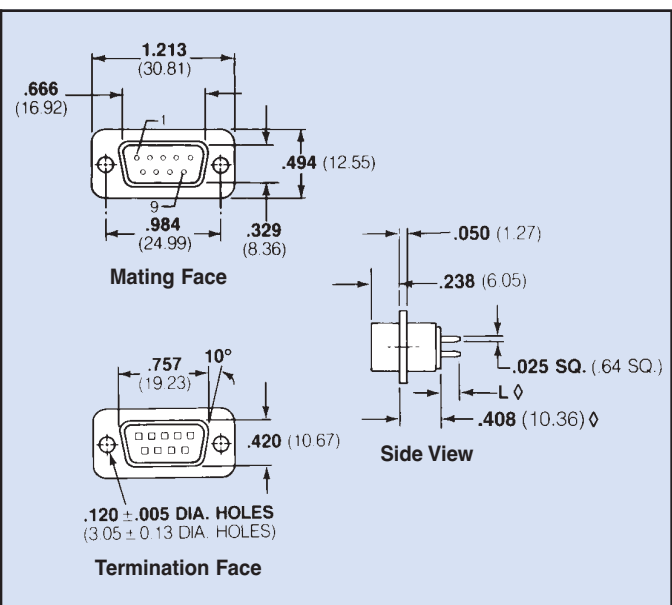
9 Series 700 Pin Contact

Shell Size



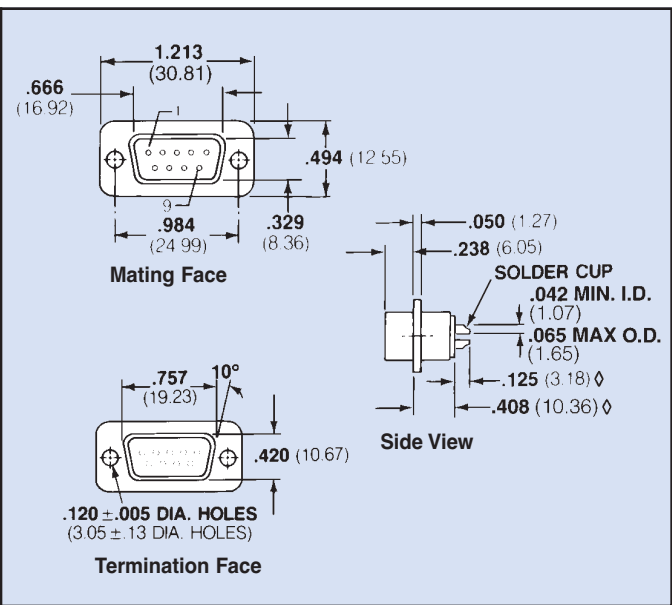
Solderless Wire Wrap

Spectrum Part Number	Select one			EMI Filter	
	L .500	L .375	L .250	Filter Desig.**	Cap. Value
56-701-006	-006	-022	-017	A	310 pF Pi
56-701-007	-007	-023	-018	B	1000 pF C
56-701-008	-008	-024	-019	C	1000 pF Pi
56-701-009	-009	-025	-020	D	5000 pF C
56-701-010	-010	-026	-021	E	4000 pF Pi
56-701-037	-037	-034	-031	F	830 pF C
56-701-038	-038	-035	-032	J	100 pF Pi
56-701-039	-039	-036	-033	K	2500 pF Pi
56-701-050	-050	-049	-048	N	375 pF C



Solder Cup Termination

Spectrum Part Number	EMI Filter	
	Filter Designation**	Cap. Value
* 56-701-011	A	310 pF Pi
* 56-701-012	B	1000 pF C
* 56-701-013	C	1000 pF Pi
* 56-701-014	D	5000 pF C
* 56-701-015	E	4000 pF Pi
* 56-701-040	F	830 pF C
56-701-041	J	100 pF Pi
56-701-042	K	2500 pF Pi
56-701-081	N	375 pF C
56-701-087	L	500 pF C



* May be available from distributor stock.
 ** See page 149 for filter performance.
 Standard Tolerance = ±.005 except where noted, ∅ = ±.015

Dimensions in inches (mm)



9 Series 700 Socket Contact

Shell Size



Printed Circuit Board Mount

Spectrum Part Number	EMI Filter	
	Filter Designation**	Cap. Value
56-703-001	A	310 pF Pi
56-703-002	B	1000 pF C
56-703-003	C	1000 pF Pi
56-703-004	D	5000 pF C
56-703-005	E	4000 pF Pi
56-703-022	F	830 pF C
56-703-023	J	100 pF Pi
56-703-024	K	2500 pF Pi
56-703-036	N	375 pF C
56-703-047	L	500 pF C

Mating Face
 .640 (16.26)
 1.213 (30.81)
 .494 (12.55)
 .984 (24.99)
 .308 (7.82)

Termination Face
 .757 (19.23)
 10°
 .420 (10.67)
 .120 ± .005 DIA. HOLES (3.05 ± 0.13 DIA. HOLES)

Side View
 .050 (1.27)
 .243 (6.17)
 .025 SQ. (.64 SQ.)
 .150 (3.81) ∅
 .425 (10.80) ∅

Printed Circuit Board Right Angle Mount

Spectrum Part Number	EMI Filter	
	Filter Designation**	Cap. Value
56-704-001	A	310 pF Pi
56-704-002	B	1000 pF C
* 56-704-003	C	1000 pF Pi
56-704-004	D	5000 pF C
* 56-704-005	E	4000 pF Pi
56-704-007	F	830 pF C
56-704-008	J	100 pF Pi
56-704-009	K	2500 pF Pi
56-704-018	N	375 pF C
56-704-035	L	500 pF C

Mating Face
 .640 (16.26)
 1.213 (30.81)
 .494 (12.55)
 .984 (24.99)
 .308 (7.82)

Termination Face
 .757 (19.23)
 10°
 .420 (10.67)
 .020 ± .005 (.51 ± .13)

Bottom View
 .120 ± .005 DIA. HOLES (3.05 ± .13 DIA. HOLES)
 .125 ± .005 DIA. HOLES (3.18 ± .13 DIA. HOLES)
 .12R (3.05R)
 .618 (15.70)
 .540 (13.72) ∅
 .290 (7.37)
 .275 (6.99)
 .740 (18.80) ∅

Side View
 .105 (2.67) ∅
 .590 (14.99) ∅
 .025 SQ. (.64 SQ.)
 .702 (17.83) ∅

* May be available from distributor stock.
 ** See page 149 for filter performance.
 Standard Tolerance = ±.005 except where noted, ∅ = ±.015

Dimensions in inches (mm)



9
Shell Size

**Series 700
Socket Contact &
Pin/Socket Adapter**



Solderless Wire Wrap

Spectrum Part Number	Select one			EMI Filter	
	L .500	L .375	L .250	Filter Desig.**	Cap. Value
56-703	-006	-016	-011	A	310 pF Pi
56-703	-007	-017	-012	B	1000 pF C
56-703	-008	-018	-013	C	1000 pF Pi
56-703	-009	-019	-014	D	5000 pF C
* 56-703	-010	-020	* -015	E	4000 pF Pi
56-703	-031	-028	-025	F	830 pF C
56-703	-032	-029	-026	J	100 pF Pi
56-703	-033	-030	-027	K	2500 pF Pi
56-703	-039	-038	-037	N	375 pF C

Solder Cup Termination

Spectrum Part Number	EMI Filter	
	Filter Designation**	Cap. Value
* 56-706-001	A	310 pF Pi
56-706-002	B	1000 pF C
* 56-706-003	C	1000 pF Pi
56-706-004	D	5000 pF C
* 56-706-005	E	4000 pF Pi
56-706-006	F	830 pF C
56-706-007	J	100 pF Pi
* 56-706-008	K	2500 pF Pi
56-706-009	N	375 pF C
56-706-017	L	500 pF C

Pin/Socket Adapter

Spectrum Part Number	EMI Filter	
	Filter Designation**	Cap. Value
* 56-705-001	A	310 pF Pi
56-705-002	B	1000 pF C
* 56-705-003 €	C	1000 pF Pi
56-705-004	D	5000 pF C
* 56-705-005 €	E	4000 pF Pi
* 56-705-008	F	830 pF C
56-705-009	J	100 pF Pi
56-705-010	K	2500 pF Pi
56-705-026	N	375 pF C
56-705-049	L	500 pF C

€ Also available through Spectrum Control's authorized European distributors/agents.

Dimensions in inches (mm)

* May be available from distributor stock.

** See page 149 for filter performance.

Standard Tolerance = ±.005 except where noted, ∅ = ±.015



15 Series 700 Pin Contact

Shell Size



Printed Circuit Board Mount

Spectrum Part Number	EMI Filter	
	Filter Designation**	Cap. Value
56-711-001	A	310 pF Pi
56-711-002	B	1000 pF C
56-711-003	C	1000 pF Pi
56-711-004	D	5000 pF C
56-711-005	E	4000 pF Pi
56-711-028	F	830 pF C
56-711-029	J	100 pF Pi
56-711-030	K	2500 pF Pi
56-711-048	N	375 pF C
56-711-088	L	500 pF C

Mating Face
 .994 (25.25) total length, 1.541 (39.14) shell length, .494 (12.55) height, 1.312 (33.32) pin pitch, .329 (8.36) pin length, .150 (3.81) pin diameter.

Termination Face
 1.085 (27.56) shell length, 10° angle, .420 (10.67) height, .120 ± .005 DIA. HOLES (3.05 ± .13 DIA. HOLES).

Side View
 .050 (1.27) pin diameter, .238 (6.05) pin length, .025 SQ. (.64 SQ.) pin cross-section, .150 (3.81) pin diameter, .408 (10.36) pin diameter.

Printed Circuit Board Right Angle Mount

Spectrum Part Number	EMI Filter	
	Filter Designation**	Cap. Value
* 56-712-001	A	310 pF Pi
56-712-002	B	1000 pF C
* 56-712-003	C	1000 pF Pi
56-712-004	D	5000 pF C
* 56-712-005	E	4000 pF Pi
* 56-712-007	F	830 pF C
56-712-008	J	100 pF Pi
56-712-009	K	2500 pF Pi
56-712-017	N	375 pF C
56-712-039	L	500 pF C

Mating Face
 .994 (25.25) total length, 1.541 (39.14) shell length, .494 (12.55) height, 1.312 (33.32) pin pitch, .329 (8.36) pin length, .150 (3.81) pin diameter.

Termination Face
 1.085 (27.56) shell length, 10° angle, .420 (10.67) height, .120 ± .005 DIA. HOLES (3.05 ± .13 DIA. HOLES).

Bottom View
 .12R (3.05R) radius, .942 (23.93) shell length, .290 (7.37) pin length, .275 (6.99) pin length, .740 (18.80) pin diameter, .540 (13.72) pin diameter, .125 ± .005 DIA. HOLES (3.18 ± .13 DIA. HOLES).

Side View
 .105 (2.67) pin diameter, .590 (14.99) pin length, .025 SQ. (.64 SQ.) pin cross-section, .702 (17.83) pin diameter.

* May be available from distributor stock.
 ** See page 149 for filter performance.
 Standard Tolerance = ±.005 except where noted, ∅ = ±.015

Dimensions in inches (mm)



15 Series 700 Pin Contact

Shell Size



Solderless Wire Wrap

Spectrum Part Number <i>Select one</i>	EMI Filter			Filter Desig.**	Cap. Value
	L .500	L .375	L .250		
56-711 -006 -023 -018				A	310 pF Pi
56-711 -007 -024 -019				B	1000 pF C
56-711 -008 -025 -020				C	1000 pF Pi
56-711 -009 -026 -021				D	5000 pF C
56-711 -010 -027 -022				E	4000 pF Pi
56-711 -037 -034 -031				F	830 pF C
56-711 -038 -035 -032				J	100 pF Pi
56-711 -039 -036 -033				K	2500 pF Pi
56-711 -051 -050 -049				N	375 pF C

Solder Cup Termination

Spectrum Part Number	EMI Filter	
	Filter Designation**	Cap. Value
* 56-711-011	A	310 pF Pi
56-711-012	B	1000 pF C
* 56-711-013	C	1000 pF Pi
56-711-014	D	5000 pF C
* 56-711-015	E	4000 pF Pi
* 56-711-040	F	830 pF C
56-711-041	J	100 pF Pi
56-711-042	K	2500 pF Pi
56-711-085	N	375 pF C
56-711-086	L	500 pF C

* May be available from distributor stock.
 ** See page 149 for filter performance.
 Standard Tolerance = ±.005 except where noted, ∅ = ±.015

Dimensions in inches (mm)



15 Series 700 Socket Contact

Shell Size



Printed Circuit Board Mount

Spectrum Part Number	EMI Filter	
	Filter Designation**	Cap. Value
56-713-001	A	310 pF Pi
56-713-002	B	1000 pF C
56-713-003	C	1000 pF Pi
56-713-004	D	5000 pF C
56-713-005	E	4000 pF Pi
56-713-021	F	830 pF C
56-713-022	J	100 pF Pi
56-713-023	K	2500 pF Pi
56-713-037	N	375 pF C
56-713-045	L	500 pF C

Mating Face
 .968 (24.59)
 1.541 (39.14)
 .494 (12.55)
 .15
 1.312 (33.32)
 .308 (7.82)

Termination Face
 1.085 (27.56)
 10°
 .420 (10.67)
 .120 ± .005 DIA. HOLES (3.05 ± .13 DIA. HOLES)

Side View
 .050 (1.27)
 .243 (6.17)
 .025 SQ. (.64 SQ.)
 .150 (3.81) ∅
 .425 (10.80) ∅

Printed Circuit Board Right Angle Mount

Spectrum Part Number	EMI Filter	
	Filter Designation**	Cap. Value
* 56-714-001	A	310 pF Pi
56-714-002	B	1000 pF C
* 56-714-003	C	1000 pF Pi
56-714-004	D	5000 pF C
* 56-714-005	E	4000 pF Pi
* 56-714-006	F	830 pF C
56-714-007	J	100 pF Pi
56-714-008	K	2500 pF Pi
56-714-017	N	375 pF C
56-714-031	L	500 pF C

Mating Face
 .968 (24.59)
 1.541 (39.14)
 .494 (12.55)
 .15
 1.312 (33.32)
 .308 (7.82)

Termination Face
 1.085 (27.56)
 10°
 .420 (10.67)
 .120 ± .005 DIA. HOLES (3.05 ± .13 DIA. HOLES)

Side View
 .050 (1.27)
 .243 (6.17)
 .025 SQ. (.64 SQ.)
 .150 (3.81) ∅
 .425 (10.80) ∅

Bottom View
 .125 ± .005 DIA. HOLES (3.18 ± .13 DIA. HOLES)
 .540 (13.72) ∅
 .275 (6.99)
 .740 (18.80) ∅
 .942 (23.93)
 .12R (3.05R)
 .290 (7.37)

* May be available from distributor stock.
 ** See page 149 for filter performance.
 Standard Tolerance = ±.005 except where noted, ∅ = ±.015

Dimensions in inches (mm)

Filtered Connectors

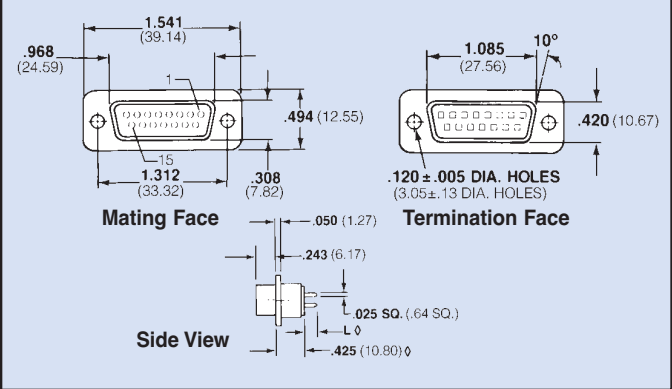


15 Series 700 Shell Size Socket Contact & Pin/Socket Adapter



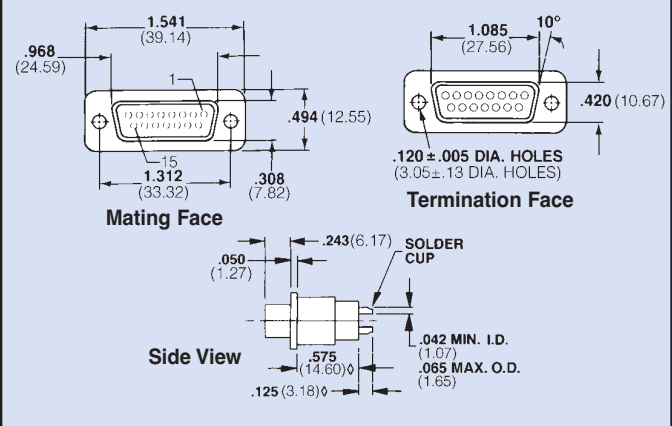
Solderless Wire Wrap

Spectrum Part Number <i>Select one</i>	EMI Filter			Filter Desig.**	Cap. Value
	L .500	L .375	L .250		
56-713-006	-016	-011		A	310 pF Pi
56-713-007	-017	-012		B	1000 pF C
56-713-008	-018	-013		C	1000 pF Pi
56-713-009	-019	-014		D	5000 pF C
56-713-010	-020	-015		E	4000 pF Pi
56-713-030	-027	-024		F	830 pF C
56-713-031	-028	-025		J	100 pF Pi
56-713-032	-029	-026		K	2500 pF Pi
56-713-040	-039	-038		N	375 pF C



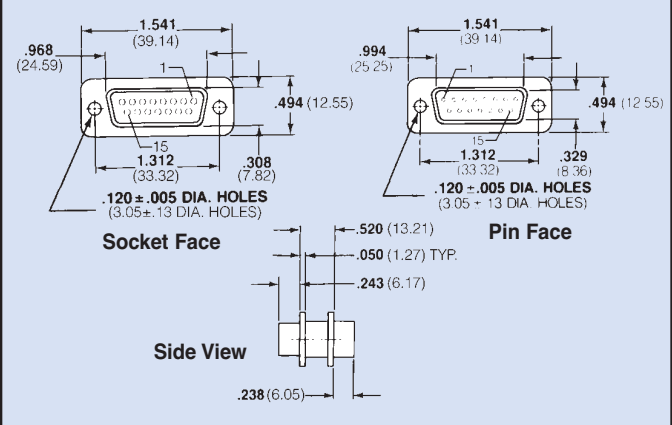
Solder Cup Termination

Spectrum Part Number	EMI Filter	
	Filter Designation**	Cap. Value
* 56-716-001	A	310 pF Pi
56-716-002	B	1000 pF C
* 56-716-003	C	1000 pF Pi
56-716-004	D	5000 pF C
* 56-716-005	E	4000 pF Pi
56-716-006	F	830 pF C
56-716-007	J	100 pF Pi
* 56-716-008	K	2500 pF Pi
56-716-009	N	375 pF C
56-716-013	L	500 pF C



Pin/Socket Adapter

Spectrum Part Number	EMI Filter	
	Filter Designation**	Cap. Value
* 56-715-001	A	310 pF Pi
56-715-002	B	1000 pF C
* 56-715-003 €	C	1000 pF Pi
56-715-004	D	5000 pF C
* 56-715-005 €	E	4000 pF Pi
56-715-007	F	830 pF C
56-715-008	J	100 pF Pi
56-715-009	K	2500 pF Pi
56-715-015	N	375 pF C
56-715-040	L	500 pF C



€ Also available through Spectrum Control's authorized European distributors/agents.

Dimensions in inches (mm)

* May be available from distributor stock.

** See page 149 for filter performance.

Standard Tolerance = ±.005 except where noted, ∅ = ±.015



25 Series 700 Pin Contact

Shell Size



Printed Circuit Board Mount

Spectrum Part Number	EMI Filter	
	Filter Designation**	Cap. Value
56-721-001	A	310 pF Pi
56-721-002	B	1000 pF C
56-721-003	C	1000 pF Pi
56-721-004	D	5000 pF C
56-721-005	E	4000 pF Pi
56-721-033	F	830 pF C
56-721-034	J	100 pF Pi
56-721-035	K	2500 pF Pi
56-721-063	N	375 pF C
56-721-111	L	500 pF C

Printed Circuit Board Right Angle Mount

Spectrum Part Number	EMI Filter	
	Filter Designation**	Cap. Value
* 56-722-001	A	310 pF Pi
56-722-002	B	1000 pF C
* 56-722-003	C	1000 pF Pi
56-722-004	D	5000 pF C
* 56-722-005	E	4000 pF Pi
* 56-722-008	F	830 pF C
56-722-009	J	100 pF Pi
56-722-010	K	2500 pF Pi
56-722-027	N	375 pF C
56-722-060	L	500 pF C

* May be available from distributor stock.
 ** See page 149 for filter performance.
 Standard Tolerance = ±.005 except where noted, ∅ = ±.015

Dimensions in inches (mm)

Filtered Connectors



25 Series 700 Pin Contact

Shell Size



Solderless Wire Wrap

Spectrum Part Number <i>Select one</i>	EMI Filter			Filter Desig.**	Cap. Value
	L .500	L .375	L .250		
56-721 -006 -028 -024				A	310 pF Pi
56-721 -007 -029 -025				B	1000 pF C
56-721 -008 -030 -026				C	1000 pF Pi
56-721 -009 -031 -022				D	5000 pF C
56-721 -010 -032 -027				E	4000 pF Pi
56-721 -042 -039 -036				F	830 pF C
56-721 -043 -040 -037				J	100 pF Pi
56-721 -044 -041 -038				K	2500 pF Pi
56-721 -066 -065 -064				N	375 pF C

Solder Cup Termination

Spectrum Part Number	EMI Filter	
	Filter Designation**	Cap. Value
* 56-721-011	A	310 pF Pi
* 56-721-012	B	1000 pF C
* 56-721-013	C	1000 pF Pi
56-721-014	D	5000 pF C
* 56-721-015	E	4000 pF Pi
* 56-721-045	F	830 pF C
56-721-046	J	100 pF Pi
56-721-047	K	2500 pF Pi
56-721-070	N	375 pF C
56-721-112	L	500 pF C

* May be available from distributor stock.
 ** See page 149 for filter performance.
 Standard Tolerance = ±.005 except where noted, ∅ = ±.015

Dimensions in inches (mm)



25 Series 700 Socket Contact

Shell Size



Printed Circuit Board Mount

Spectrum Part Number	EMI Filter	
	Filter Designation**	Cap. Value
56-723-001	A	310 pF Pi
56-723-002	B	1000 pF C
56-723-003	C	1000 pF Pi
56-723-004	D	5000 pF C
56-723-005	E	4000 pF Pi
56-723-023	F	830 pF C
56-723-024	J	100 pF Pi
56-723-025	K	2500 pF Pi
56-723-045	N	375 pF C
56-723-069	L	500 pF C

Mating Face dimensions: 2.088 (53.04) total length, 1.508 (38.30) filter length, .494 (12.55) height, .308 (7.82) termination height, 1.852 (47.04) termination length, .25 termination offset.

Termination Face dimensions: 1.625 (41.28) length, 10° angle, .420 (10.67) height, .120 ± .005 DIA. HOLES (3.05 ± .13 DIA. HOLES).

Side View dimensions: .050 (1.27) height, .243 (6.17) width, .025 SQ. (.64 SQ.) termination area, .150 (3.81) Ø termination hole, .425 (10.80) Ø termination hole.

Printed Circuit Board Right Angle Mount

Spectrum Part Number	EMI Filter	
	Filter Designation**	Cap. Value
* 56-724-001	A	310 pF Pi
56-724-002	B	1000 pF C
* 56-724-003	C	1000 pF Pi
56-724-004	D	5000 pF C
* 56-724-005	E	4000 pF Pi
* 56-724-008	F	830 pF C
56-724-009	J	100 pF Pi
56-724-010	K	2500 pF Pi
56-724-021	N	375 pF C
56-724-046	L	500 pF C

Mating Face dimensions: 2.088 (53.04) total length, 1.508 (38.30) filter length, .494 (12.55) height, .308 (7.82) termination height, 1.852 (47.04) termination length, .25 termination offset.

Termination Face dimensions: 1.625 (41.28) length, 10° angle, .420 (10.67) height, .120 ± .005 DIA. HOLES (3.05 ± .13 DIA. HOLES).

Bottom View dimensions: .125 ± .005 DIA. HOLES (3.18 ± .13 DIA. HOLES), .1490 (37.85) length, .275 (6.99) width, .740 (18.80) Ø hole, .540 (13.72) Ø hole.

Side View dimensions: .105 (2.67) height, .590 (14.99) Ø hole, .702 (17.83) Ø hole, .025 SQ. (.64 SQ.) termination area, .243 (6.17) width, .090 (2.29) width, .375 (9.53) width, .12R (3.05R) radius, .290 (7.37) width.

* May be available from distributor stock.
 ** See page 149 for filter performance.
 Standard Tolerance = ±.005 except where noted, Ø = ±.015

Dimensions in inches (mm)

Filtered Connectors



25 Series 700 Shell Size Socket Contact & Pin/Socket Adapter



Solderless Wire Wrap

Spectrum Part Number	Select one			EMI Filter	
	L .500	L .375	L .250	Filter Desig.**	Cap. Value
* 56-723-006	-017	* -012	A	310 pF Pi	
56-723-007	-018	-013	B	1000 pF C	
* 56-723-008	-019	* -014	C	1000 pF Pi	
56-723-009	-020	-015	D	5000 pF C	
* 56-723-010	-021	* -016	E	4000 pF Pi	
* 56-723-032	-029	* -026	F	830 pF C	
56-723-033	-030	-027	J	100 pF Pi	
56-723-034	-031	-028	K	2500 pF Pi	
56-723-048	-047	-046	N	375 pF C	

Solder Cup Termination

Spectrum Part Number	EMI Filter	
	Filter Designation**	Cap. Value
* 56-726-001	A	310 pF Pi
56-726-002	B	1000 pF C
* 56-726-003	C	1000 pF Pi
56-726-004	D	5000 pF C
* 56-726-005	E	4000 pF Pi
56-726-006	F	830 pF C
56-726-007	J	100 pF Pi
* 56-726-008	K	2500 pF Pi
56-726-009	N	375 pF C
56-726-021	L	500 pF C

Pin/Socket Adapter

Spectrum Part Number	EMI Filter	
	Filter Designation**	Cap. Value
* 56-725-001	A	310 pF Pi
56-725-002	B	1000 pF C
* 56-725-003 €	C	1000 pF Pi
56-725-004	D	5000 pF C
* 56-725-005 €	E	4000 pF Pi
* 56-725-019	F	830 pF C
56-725-020	J	100 pF Pi
* 56-725-021	K	2500 pF Pi
56-725-064	N	375 pF C
56-725-073	L	500 pF C

€ Also available through Spectrum Control's authorized European distributors/agents.

* May be available from distributor stock.

** See page 149 for filter performance.

Standard Tolerance = ±.005 except where noted, φ = ±.015



37 Series 700 Pin Contact

Shell Size



Printed Circuit Board Mount

Spectrum Part Number	EMI Filter	
	Filter Designation**	Cap. Value
56-731-001	A	310 pF Pi
56-731-002	B	1000 pF C
56-731-003	C	1000 pF Pi
56-731-004	D	5000 pF C
56-731-005	E	4000 pF Pi
56-731-028	F	830 pF C
56-731-029	J	100 pF Pi
56-731-030	K	2500 pF Pi
56-731-048	N	375 pF C
56-731-076	L	500 pF C

Printed Circuit Board Right Angle Mount

Spectrum Part Number	EMI Filter	
	Filter Designation**	Cap. Value
56-732-001	A	310 pF Pi
56-732-002	B	1000 pF C
* 56-732-003	C	1000 pF Pi
56-732-004	D	5000 pF C
* 56-732-005	E	4000 pF Pi
56-732-006	F	830 pF C
56-732-007	J	100 pF Pi
56-732-008	K	2500 pF Pi
56-732-009	N	375 pF C
56-732-023	L	500 pF C

* May be available from distributor stock.
 ** See page 149 for filter performance.
 Standard Tolerance = ± 0.005 except where noted, $\phi = \pm 0.015$

Dimensions in inches (mm)

Filtered Connectors



37 Series 700 Pin Contact Shell Size



Solderless Wire Wrap

Spectrum Part Number <i>Select one</i>	EMI Filter			Filter Desig.**	Cap. Value
	L .500	L .375	L .250		
56-731 -006 -023 -018				A	310 pF Pi
56-731 -007 -024 -019				B	1000 pF C
56-731 -008 -025 -020				C	1000 pF Pi
56-731 -009 -026 -021				D	5000 pF C
56-731 -010 -027 -022				E	4000 pF Pi
56-731 -037 -034 -031				F	830 pF C
56-731 -038 -035 -032				J	100 pF Pi
56-731 -039 -036 -033				K	2500 pF Pi
56-731 -051 -050 -049				N	375 pF C

Solder Cup Termination

Spectrum Part Number	EMI Filter	
	Filter Designation**	Cap. Value
* 56-731-011	A	310 pF Pi
56-731-012	B	1000 pF C
* 56-731-013	C	1000 pF Pi
56-731-014	D	5000 pF C
* 56-731-015	E	4000 pF Pi
* 56-731-040	F	830 pF C
56-731-041	J	100 pF Pi
56-731-042	K	2500 pF Pi
56-731-060	N	375 pF C
56-731-077	L	500 pF C

* May be available from distributor stock.
 ** See page 149 for filter performance.
 Standard Tolerance = ±.005 except where noted, ∅ = ±.015

Dimensions in inches (mm)



37 Series 700 Socket Contact

Shell Size



Printed Circuit Board Mount

Spectrum Part Number	EMI Filter	
	Filter Designation**	Cap. Value
56-733-001	A	310 pF Pi
56-733-002	B	1000 pF C
56-733-003	C	1000 pF Pi
56-733-004	D	5000 pF C
56-733-005	E	4000 pF Pi
56-733-021	F	830 pF C
56-733-022	J	100 pF Pi
56-733-023	K	2500 pF Pi
56-733-035	N	375 pF C
56-733-046	L	500 pF C

Mating Face
 2.729 (69.32)
 2.156 (54.76)
 .494 (12.55)
 .308 (7.82)
 2.500 (63.50)
 37

Termination Face
 2.273 (57.73)
 10°
 .420 (10.67)
 .120 ± .005 DIA. HOLES (3.05 ± .13 DIA. HOLES)

Side View
 .050 (1.27)
 .243 (6.17)
 .025 SQ. (.64 SQ.)
 .150 (3.81) ∅
 .425 (10.80) ∅

Printed Circuit Board Right Angle Mount

Spectrum Part Number	EMI Filter	
	Filter Designation**	Cap. Value
56-734-001	A	310 pF Pi
56-734-002	B	1000 pF C
56-734-003	C	1000 pF Pi
56-734-004	D	5000 pF C
56-734-005	E	4000 pF Pi
56-734-006	F	830 pF C
56-734-007	J	100 pF Pi
56-734-008	K	2500 pF Pi
56-734-012	N	375 pF C
56-734-021	L	500 pF C

Mating Face
 2.729 (69.32)
 2.156 (54.76)
 .494 (12.55)
 .308 (7.82)
 2.500 (63.50)
 37

Termination Face
 2.273 (57.73)
 10°
 .420 (10.67)
 .020 ± .005 (51 ± 13)
 .120 ± .005 DIA. HOLES (3.05 ± .13 DIA. HOLES)

Bottom View
 .125 ± .005 DIA. HOLES (3.18 ± .13 DIA. HOLES)
 .290 (7.37)
 .275 (6.99)
 .740 (18.80) ∅
 .540 (13.72) ∅

Side View
 .375 (9.53)
 .090 (2.29)
 .050 (1.27)
 .243 (6.17)
 .105 (2.67) ∅
 .590 (14.99) ∅
 .025 SQ. (.64 SQ.)
 .702 (17.83) ∅

* May be available from distributor stock.
 ** See page 149 for filter performance.
 Standard Tolerance = ±.005 except where noted, ∅ = ±.015

Dimensions in inches (mm)

Filtered Connectors



37 Series 700 Shell Size Socket Contact & Pin/Socket Adapter



Solderless Wire Wrap

Spectrum Part Number <i>Select one</i>	EMI Filter			Filter Desig.**	Cap. Value
	L .500	L .375	L .250		
* 56-733 -006	-016	* -011	A	310 pF Pi	
56-733 -007	-017	-012	B	1000 pF C	
56-733 -008	-018	-013	C	1000 pF Pi	
56-733 -009	-019	-014	D	5000 pF C	
56-733 -010	-020	-015	E	4000 pF Pi	
56-733 -030	-027	-024	F	830 pF C	
56-733 -031	-028	-025	J	100 pF Pi	
56-733 -032	-029	-026	K	2500 pF Pi	
56-733 -038	-037	-036	N	375 pF C	

Solder Cup Termination

Spectrum Part Number	EMI Filter	
	Filter Designation**	Cap. Value
* 56-736-001	A	310 pF Pi
56-736-002	B	1000 pF C
* 56-736-003	C	1000 pF Pi
56-736-004	D	5000 pF C
* 56-736-005	E	4000 pF Pi
56-736-006	F	830 pF C
56-736-007	J	100 pF Pi
* 56-736-008	K	2500 pF Pi
56-736-009	N	375 pF C
56-736-015	L	500 pF C

Pin/Socket Adapter

Spectrum Part Number	EMI Filter	
	Filter Designation**	Cap. Value
* 56-735-001	A	310 pF Pi
56-735-002	B	1000 pF C
* 56-735-003 €	C	1000 pF Pi
56-735-004	D	5000 pF C
* 56-735-005 €	E	4000 pF Pi
* 56-735-008	F	830 pF C
56-735-009	J	100 pF Pi
56-735-010	K	2500 pF Pi
56-735-025	N	375 pF C
56-735-034	L	500 pF C

€ Also available through Spectrum Control's authorized European distributors/agents.

* May be available from distributor stock.

** See page 149 for filter performance.

Standard Tolerance = ±.005 except where noted, ∅ = ±.015

SPECTRUM CONTROL INC. • 8031 Avonia Rd. • Fairview, PA 16415 • Phone: 814-474-2207 • Fax: 814-474-2208 • Web site: www.spectrumcontrol.com
 SPECTRUM CONTROL GmbH • Hansastrasse 6 • 91126 Schwabach, Germany • Phone: (49)-9122-795-0 • Fax: (49)-9122-795-58

Dimensions in inches (mm)

Filtered Connectors



50 Series 700 Pin Contact Shell Size



Printed Circuit Board Mount

Spectrum Part Number	EMI Filter	
	Filter Designation**	Cap. Value
56-741-001	A	310 pF Pi
56-741-002	B	1000 pF C
56-741-003	C	1000 pF Pi
56-741-004	D	5000 pF C
56-741-005	E	4000 pF Pi
56-741-027	F	830 pF C
56-741-028	J	100 pF Pi
56-741-029	K	2500 pF Pi
56-741-042	N	375 pF C
56-741-066	L	500 pF C

Mating Face dimensions: 2.635 (66.93) total length, 2.079 (52.81) filter length, .605 (15.37) height, 2.406 (61.11) mounting length, .436 (11.07) mounting offset, .50 (1.27) pin pitch.

Termination Face dimensions: 2.170 (55.12) length, 10° angle, .527 (13.39) height, .120 ± .005 DIA. HOLES (3.05 ± .13 DIA HOLES).

Side View dimensions: .050 (1.27) pin height, .238 (6.05) mounting height, .025 SQ. (.64 SQ.) pin width, .150 (3.81) mounting offset, .408 (10.36) mounting length.

Printed Circuit Board Right Angle Mount

Spectrum Part Number	EMI Filter	
	Filter Designation**	Cap. Value
56-742-001	A	310 pF Pi
56-742-002	B	1000 pF C
56-742-003	C	1000 pF Pi
56-742-004	D	5000 pF C
56-742-005	E	4000 pF Pi
56-742-006	F	830 pF C
56-742-007	J	100 pF Pi
56-742-008	K	2500 pF Pi
56-742-009	N	375 pF C
56-742-022	L	500 pF C

Mating Face dimensions: 2.635 (66.93) total length, 2.079 (52.81) filter length, .605 (15.37) height, 2.406 (61.11) mounting length, .436 (11.07) mounting offset, .50 (1.27) pin pitch.

Termination Face dimensions: 2.170 (55.12) length, 10° angle, .527 (13.39) height, .120 ± .005 DIA. HOLES (3.05 ± .13 DIA HOLES), .020 ± .005 (.51 ± .13) offset.

Bottom View dimensions: .12R (3.05R) mounting offset, 2.038 (51.77) mounting length, .400 (10.16) mounting offset, .275 (6.99) mounting offset, .850 (21.59) mounting length, .125 ± .005 DIA. HOLES (3.18 ± .13 DIA. HOLES), .540 (13.72) mounting offset.

Side View dimensions: .358 (9.09) pin height, .090 (2.29) mounting height, .050 (1.27) pin height, .238 (6.05) mounting height, .105 (2.67) mounting offset, .025 SQ. (.64 SQ.) pin width, .590 (14.99) mounting offset, .702 (17.83) mounting offset, .814 (20.68) mounting offset.

* May be available from distributor stock.
 ** See page 149 for filter performance.
 Standard Tolerance = ±.005 except where noted, ∅ = ±.015

Dimensions in inches (mm)



50 Series 700 Pin Contact

Shell Size



Solderless Wire Wrap

Spectrum Part Number <i>Select one</i>	EMI Filter			Filter Desig.**	Cap. Value
	L .500	L .375	L .250		
56-741 -006	-022	-017	A	310 pF Pi	
56-741 -007	-023	-018	B	1000 pF C	
56-741 -008	-024	-019	C	1000 pF Pi	
56-741 -009	-025	-020	D	5000 pF C	
56-741 -010	-026	-021	E	4000 pF Pi	
56-741 -036	-033	-030	F	830 pF C	
56-741 -037	-034	-031	J	100 pF Pi	
56-741 -038	-035	-032	K	2500 pF Pi	
56-741 -045	-044	-043	N	375 pF C	

Solder Cup Termination

Spectrum Part Number	EMI Filter	
	Filter Designation**	Cap. Value
* 56-741-011	A	310 pF Pi
* 56-741-012	B	1000 pF C
* 56-741-013	C	1000 pF Pi
* 56-741-014	D	5000 pF C
* 56-741-015	E	4000 pF Pi
56-741-039	F	830 pF C
56-741-040	J	100 pF Pi
56-741-041	K	2500 pF Pi
56-741-063	N	375 pF C
56-741-067	L	500 pF C

* May be available from distributor stock.
 ** See page 149 for filter performance.
 Standard Tolerance = ±.005 except where noted, ∅ = ±.015

Dimensions in inches (mm)



50 Series 700 Socket Contact

Shell Size



Printed Circuit Board Mount

Spectrum Part Number	EMI Filter		
	Filter Designation**	Cap. Value	
56-743-001	A	310 pF Pi	
56-743-002	B	1000 pF C	
56-743-003	C	1000 pF Pi	
56-743-004	D	5000 pF C	
56-743-005	E	4000 pF Pi	
56-743-021	F	830 pF C	
56-743-022	J	100 pF Pi	
56-743-023	K	2500 pF Pi	
56-743-033	N	375 pF C	
56-743-043	L	500 pF C	

Printed Circuit Board Right Angle Mount

Spectrum Part Number	EMI Filter		
	Filter Designation**	Cap. Value	
56-744-001	A	310 pF Pi	
56-744-002	B	1000 pF C	
56-744-003	C	1000 pF Pi	
56-744-004	D	5000 pF C	
56-744-005	E	4000 pF Pi	
56-744-006	F	830 pF C	
56-744-007	J	100 pF Pi	
56-744-008	K	2500 pF Pi	
56-744-009	N	375 pF C	
56-744-012	L	500 pF C	

* May be available from distributor stock.
 ** See page 149 for filter performance.
 Standard Tolerance = ±.005 except where noted, ∅ = ±.015

Dimensions in inches (mm)



50 Series 700 Shell Size Socket Contact & Pin/Socket Adapter



Solderless Wire Wrap

Spectrum Part Number <i>Select one</i>	EMI Filter			Filter Desig.**	Cap. Value		
	L .500	L .375	L .250				
56-743 -006	-016	-011	A	310 pF Pi			
56-743 -007	-017	-012	B	1000 pF C			
56-743 -008	-018	-013	C	1000 pF Pi			
56-743 -009	-019	-014	D	5000 pF C			
56-743 -010	-020	-015	E	4000 pF Pi			
56-743 -030	-027	-024	F	830 pF C			
56-743 -031	-028	-025	J	100 pF Pi			
56-743 -032	-029	-026	K	2500 pF Pi			
56-743 -036	-035	-034	N	375 pF C			
56-743 -036	-035	-034	N	375 pF C			

Solder Cup Termination

Spectrum Part Number	EMI Filter			
	Filter Designation**	Cap. Value		
56-746-001	A	310 pF Pi		
56-746-002	B	1000 pF C		
56-746-003	C	1000 pF Pi		
56-746-004	D	5000 pF C		
56-746-005	E	4000 pF Pi		
56-746-006	F	830 pF C		
56-746-007	J	100 pF Pi		
56-746-008	K	2500 pF Pi		
56-746-009	N	375 pF C		
56-746-018	L	500 pF C		

Pin/Socket Adapter

Spectrum Part Number	EMI Filter			
	Filter Designation**	Cap. Value		
* 56-745-001	A	310 pF Pi		
56-745-002	B	1000 pF C		
* 56-745-003	C	1000 pF Pi		
56-745-004	D	5000 pF C		
* 56-745-005	E	4000 pF Pi		
56-745-006	F	830 pF C		
56-745-007	J	100 pF Pi		
56-745-008	K	2500 pF Pi		
56-745-019	N	375 pF C		
56-745-027	L	500 pF C		

* May be available from distributor stock.

** See page 149 for filter performance.

Standard Tolerance = ±.005 except where noted, ∅ = ±.015

Dimensions in inches (mm)



Filtered Connectors



D-Subminiature Part Numbering System

Ordering Information

Example: **56-513-012-TI**



- Product Series**
- 1 = Series 100 C.O.B.
 - 4 = Series F Ferrite
 - 5 = Series 500 Low Profile
 - 6 = Series 600 Hi-Density
 - 7 = Series 700 High Performance
- Filtered D-Subminiature Connectors**
- Standard connector
 - F - RoHS compliant version

- Shell Size**
- Series 400, Series 100 & 500**
 - 0 = 9 Contacts
 - 1 = 15 Contacts
 - 2 = 25 Contacts
 - 3 = 37 Contacts
 - Series 600 Hi-Density**
 - 0 = 15 Contacts
 - 1 = 26 Contacts
 - 2 = 44 Contacts
 - 3 = 62 Contacts
 - 4 = 78 Contacts
 - Series 700**
 - 0 = 9 Contacts
 - 1 = 15 Contacts
 - 2 = 25 Contacts
 - 3 = 37 Contacts
 - 4 = 50 Contacts

Contact Type/Termination

- 1 = Pin to solder cup
- 2 = Pin to 90° PCB mount
- 3 = Socket to straight PCB mount
- 4 = Socket to 90° PCB mount
- 5 = Pin-socket adapter
- 6 = Socket to solder cup
- 7 = Pin to straight PCB mount

Styles available for:

- Series 400** only 2, 3, 4, 7
- Series 100** 1 thru 7
- Series 500** only 2, 3, 4 & 7
- Series 600** only 1, 2, 3, 4, 5
- Series 700** 1 thru 6

Note: 1 can be Pin to solder cup or Pin to PCB for Series 700. See charts pages 151-170.

- Line Filtering**
- 0 = All positions same
 - 9 = Special loading (Series 600 only)

Capacitance Value

- Series 400**
- 01 = Always
- Series 100**
- 02 = 100 pF
- 03 = 220 pF
- 04 = 470 pF
- 05 = 820 pF
- 06 = 1500 pF
- 07 = 5600 pF
- 08 = 50 pF
- 09 = 180 pF
- 10 = 1000 pF
- 11 = 2200 pF
- 12 = 47 nF
- Series 500**
- 10 = 120 pF
- 11 = 440 pF
- 12 = 840 pF
- 13 = 1000 pF
- 14 = 1500 pF

- Series 600**
- 15 = 85 pF FT
- 16 = 180 pF FT
- 18 = 1000 pF FT
- 19 = 4000 pF FT
- 20 = Insulated contact

- Series 700**
- See filter specification chart on page 149 and select part numbers from Series 700 charts pages 151-170.

Options

See options descriptions on page 172 add suffix ending

- Series 100**
- .120 thru-hole and 15µ" gold (.38µm)
 - 3G** - 30µ" gold (.76µm)
 - 5G** - 50µ" gold (1.27µm)

SC and Straight PCBs

- TIB** - 4-40 thread on rear of flange
- TIF** - 4-40 thread on front of flange
- MIB** - M3 thread on rear of flange
- GBL6** - for .062" boards (1.57mm)
- JS** - Jack screws

Right Angles and Adapters

- No GBL attached
- GL** - includes grounding board lock and 4-40 threads
- T** - 4-40 threads
- GB** - no board locks
- J** - jack screws
- M** - M3 thread
- GF** - GL and jack screws

Series F

- HD** = Hi-Density (15 socket only)

Series 500

- TI** = 4-40 threads on mounting flange (.125" hole if not selected)

- GBL** = Grounded board lock includes 4-40 threads (available only on 90° PCB)

- GBLF** = Grounded board lock and ferrite slab provides enhanced LC performance. (Available only on 90° PCB)

Series 600 Hi-Density

- LI** = 4-40 UNC inserts
- S** = Solder dipped tails
- 50G** = 50 µ (1.27 µm) gold
- GBL** = Ground board lock

Series 700

- LI** = 4-40 UNC inserts
- LIM** = Metric M3.0 self-locking threads
- GB** = Metal bracket provides ground connection, includes 4-40 self-locking threads (for right angle mount only)
- GBL** = Grounded board lock (right angle)
- GBL6** = for .062" boards (straight PCB mount) (1.57mm)
- GBL9** = for .093" boards (straight PCB mount) (2.36mm)
- 50G** = 50 µ (1.27 µm) gold plating
- S** = Solder dipped tails
- JS** = Jackscrew mounting

For option combinations, consult factory.

Filtered Connectors

To assist your efforts in selecting the correct Filtered Connector to meet your needs, we have developed a part numbering system. All of the standard products are shown in their respective catalog pages.

Part number 56-513-012-TI represents a Series 500 connector with 15 contacts in a socket to straight PCB mount configuration. All connector positions have a capacitance value of 840 pF and there are 4-40 threads on mounting flange.



D-Subminiature Connector Options

Threaded Inserts

Available on Series 500, 600 & 700

- #4-40 UNC or metric M3.0 threaded inserts in mounting flanges
- Allows ease of panel-assembly
- Plated steel inserts with last thread upset for torque

Grounding Bracket

For right angle mount PCB connectors, available on Series 700

- Metal bracket in place of plastic
- Provides ground connection direct from circuit board
- Allows shell grounding to board
- Includes 4-40 threads

Stand-off with Board Lock Feature

For straight PCB connectors, available on Series 700

- Allows shell grounding to board
- Eliminates stress on filter terminations
- Tin plated brass stand-off with snap-in feature
- Available for .062" (1.57mm) or .093" (2.36mm) thick boards

Grounding Bracket with Board Lock

For right angle mount PCB connectors, available on Series 500 & 700

- Metal bracket provides grounding
- Snap-in, no hardware needed, 4-40 threads included
- For use on .062" (1.57mm) thick boards

Gold Plating

Available on Series 600 & 700

- High reliability applications, 50µ" (1.27 µm) gold over 50µ" (1.27 µm) nickel

Solder Dipped Tails

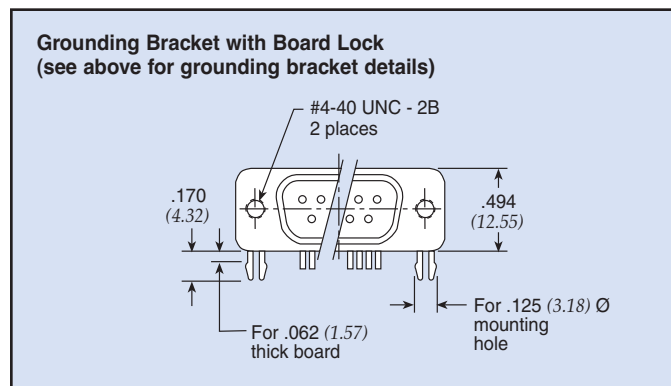
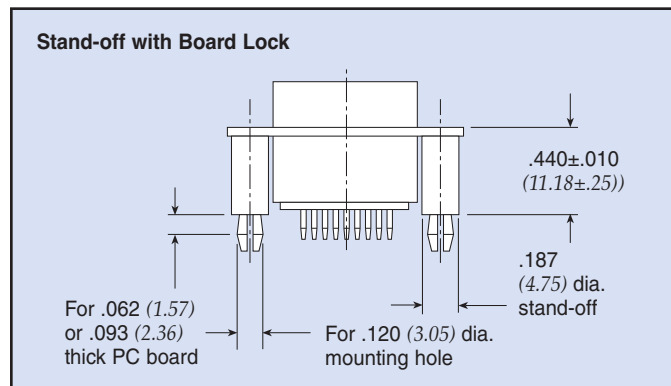
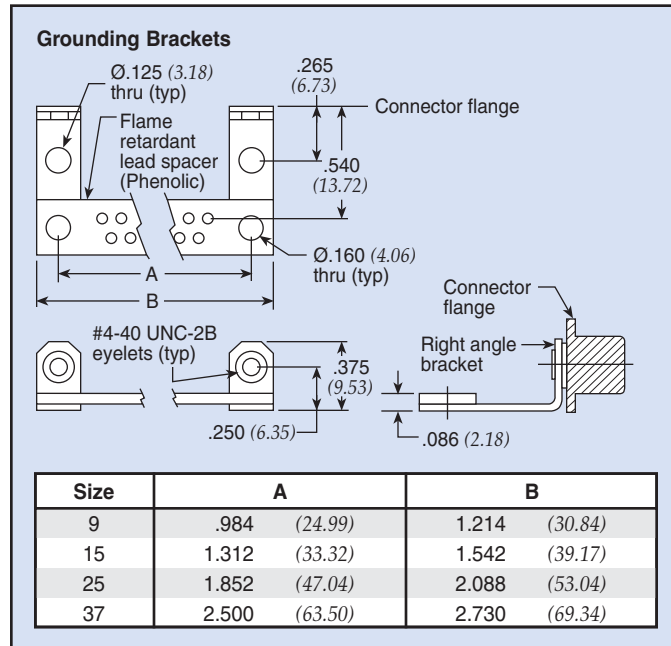
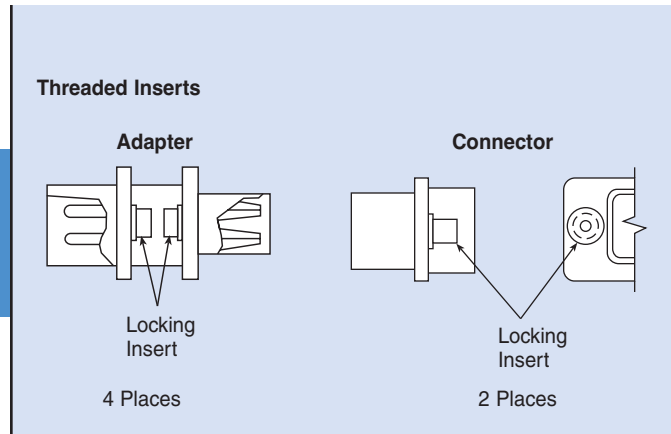
Available on Series 600 & 700 connectors

- Solder dipped tails added to standard gold flash

Water Block

Consult Spectrum Control engineers for specifics.

- Internally sealed in accordance with NEMA Standard Rain Test section 6.4 (also UL50 part 28 ram test for submersion, section 6.10.1)



Dimensions in inches (mm)

Filtered Connectors



Filtered Combo D-Subminiature Connectors

Spectrum's line of filtered combo D-subminiature connectors provide high insertion loss with tubular capacitive filtering. These connectors are available with 20 Amp power contacts, 40 Amp power contacts, 50 ohm coaxial contacts or 75 ohm coaxial contacts. Configurations include male and female versions with straight PC terminals, right angle PC terminals or solder cup terminals. Standard D-sub shell sizes provide interchangeability with unfiltered connectors. High strength epoxy potting protects ceramic elements.

Capacitive filtering is available in 470, 820, 1000 and 1500 pF. Additional capacitance ranges and configurations can be provided upon request. Please consult factory for more information.

Applications

- Telecommunications base station equipment
- Switching and transmission equipment
- Power supplies
- Industrial equipment
- Computer work stations



Mechanical Specifications

Shell	Steel, tin plated
Power Contacts	Brass, gold plated .000030 in. (0.762 μm) minimum
Signal Contacts	Pin: brass, gold plated .000015 in. (0.762 μm) min. Socket: copper alloy, gold plated .000030 in. (0.762 μm) min.
Insulator	Glass-filled polyester, flammability UL94V-0
Operating Temperature	-55°C to +125°C
Capacitors	Proprietary barium titanate ceramic formulations or high voltage MLCC

Electrical Specifications

Operating Voltage	200 VDC
Current Rating*	40 Amp power/ 5 Amp signal
Insulation Resistance	1 Gohm at 100 VDC
Capacitance	470, 820, 1000, 1500, or 4000 pF (FT only) ±20% (10 - 5000 pF available for signal pins, consult factory for part number on values above 1500 pF and below 470 pF)

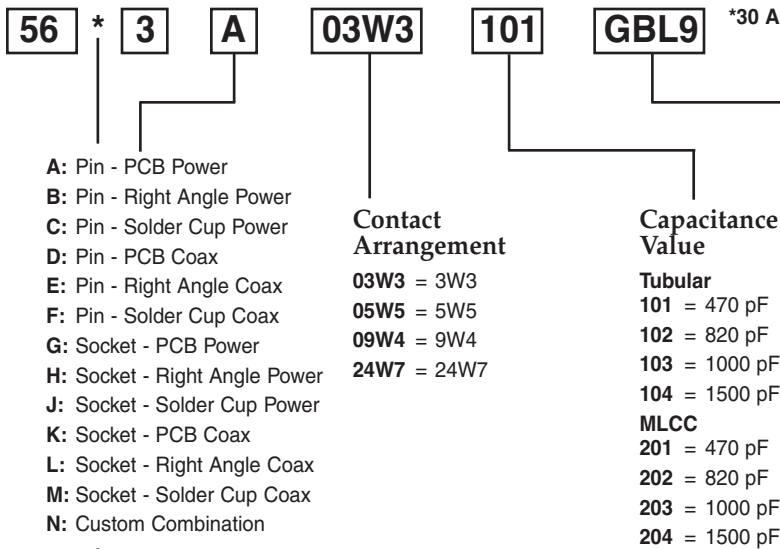
Dielectric Withstanding Voltage	600 VDC
---------------------------------	---------

*30 Amp available. Consult factory.

Ordering Information

Example: **563A03W3101GBL9**

Filtered Connectors



- A: Pin - PCB Power
- B: Pin - Right Angle Power
- C: Pin - Solder Cup Power
- D: Pin - PCB Coax
- E: Pin - Right Angle Coax
- F: Pin - Solder Cup Coax
- G: Socket - PCB Power
- H: Socket - Right Angle Power
- J: Socket - Solder Cup Power
- K: Socket - PCB Coax
- L: Socket - Right Angle Coax
- M: Socket - Solder Cup Coax
- N: Custom Combination

* Insert "F" for RoHS compliant

Contact Arrangement

03W3	= 3W3
05W5	= 5W5
09W4	= 9W4
24W7	= 24W7

Capacitance Value

Tubular	
101	= 470 pF
102	= 820 pF
103	= 1000 pF
104	= 1500 pF
MLCC	
201	= 470 pF
202	= 820 pF
203	= 1000 pF
204	= 1500 pF

Options

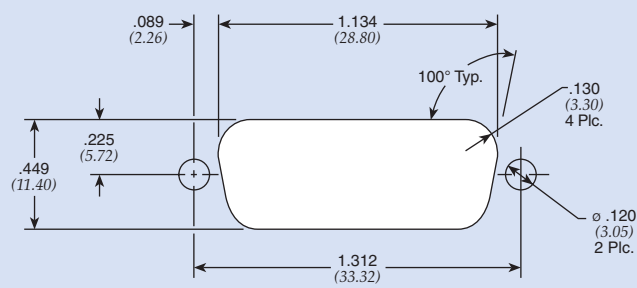
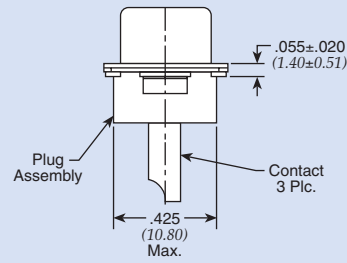
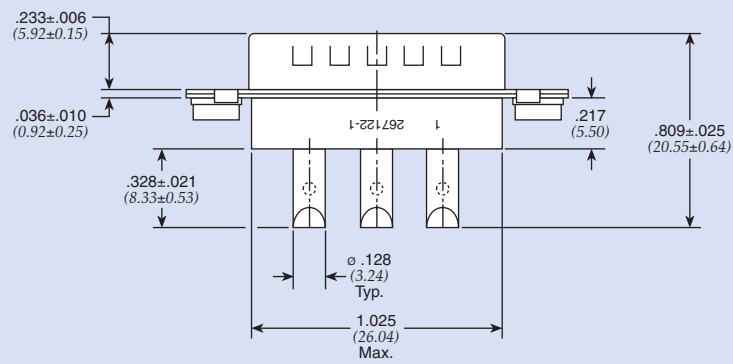
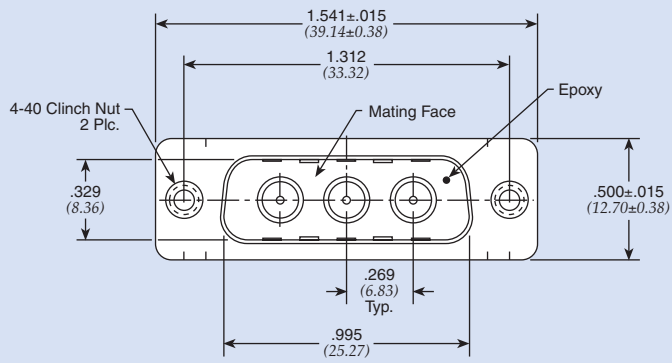
See options descriptions on page 172 add suffix ending

- LI** = 4-40 UNC inserts
 - LIM** = Metric M3.0 self-locking threads
 - GB** = Metal bracket provides ground connection, includes 4-40 self-locking threads (for right angle mount only)
 - GBL** = Grounded board lock (right angle)
 - GBL6** = for .062" boards (straight PCB mount)
 - GBL9** = for .093" boards (straight PCB mount)
 - 50G** = 50 μ (1.27 μm) gold plating
 - S** = Solder dipped tails
 - JS** = Jackscrew mounting
- For option combinations, consult factory.



Filtered Combo D-Subminiature Connectors 3W3

Plug - Solder Cup



Recommended Panel Cutout

Only represents a few of our available configurations. Consult factory for more information.

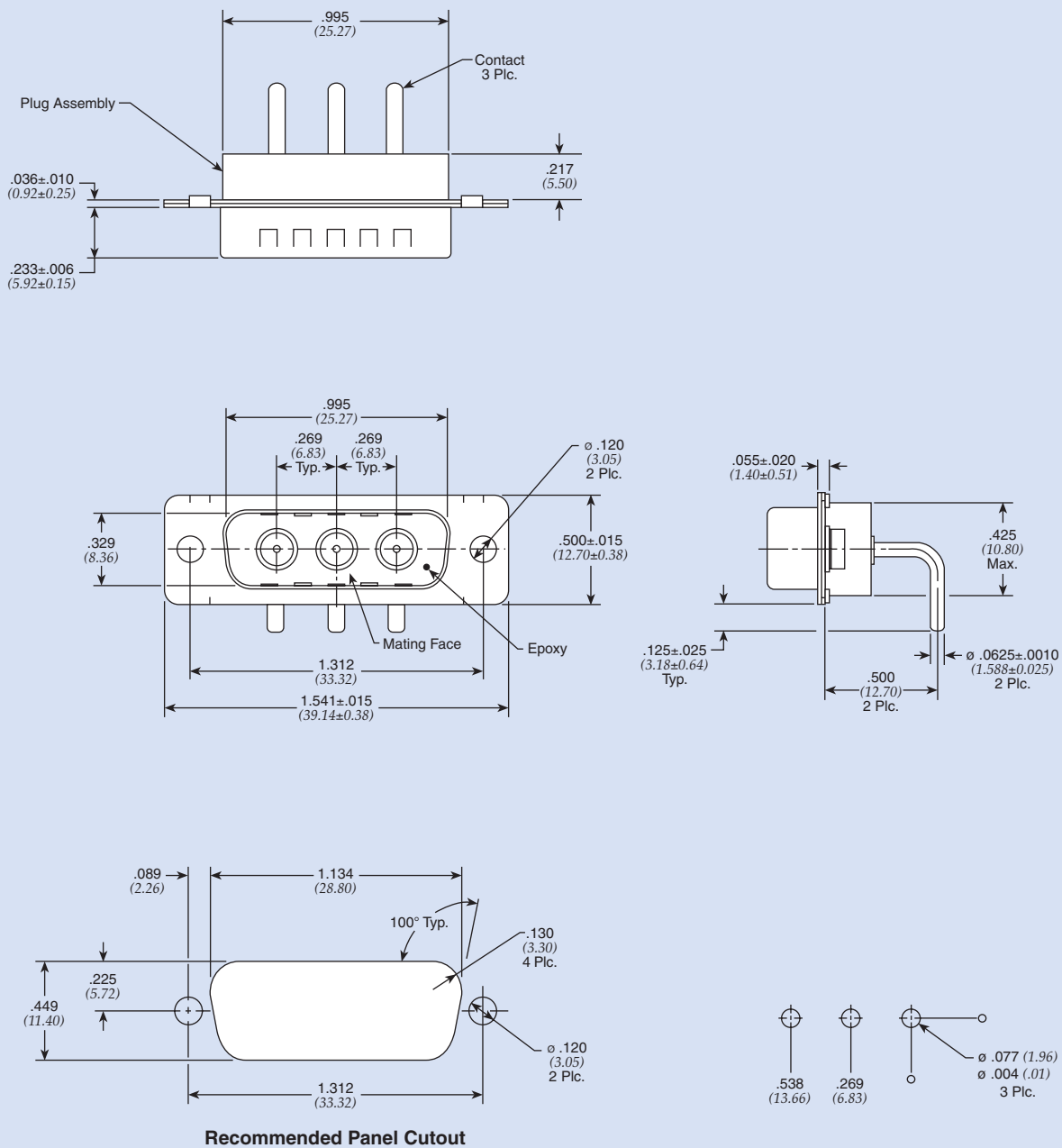
Dimensions in inches (mm)

Filtered Connectors



Filtered Combo D-Subminiature Connectors 3W3

Plug - Right Angle



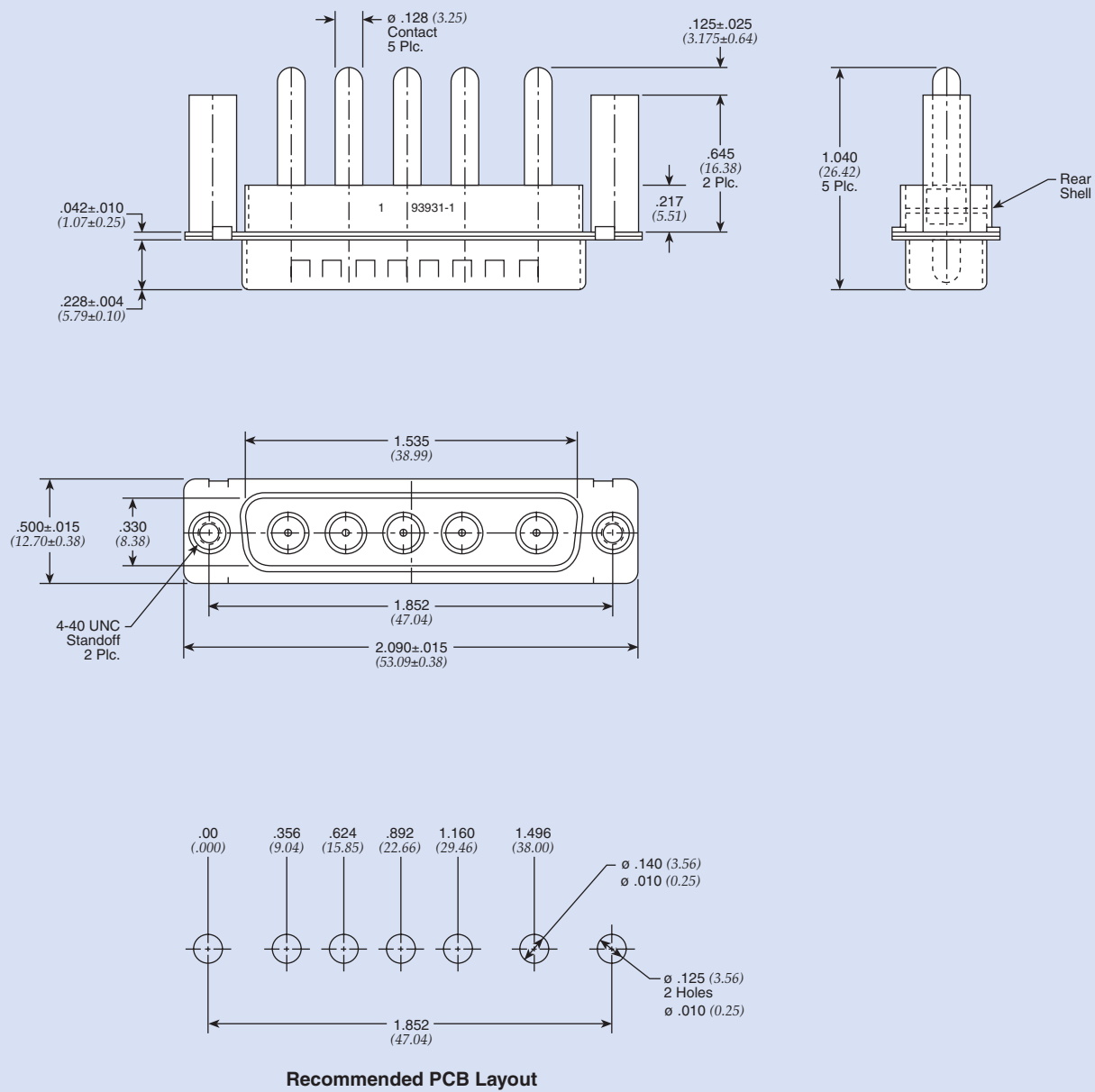
Only represents a few of our available configurations. Consult factory for more information.

Dimensions in inches (mm)



Filtered Combo D-Subminiature Connectors 5W5

Plug - Vertical



Only represents a few of our available configurations. Consult factory for more information.

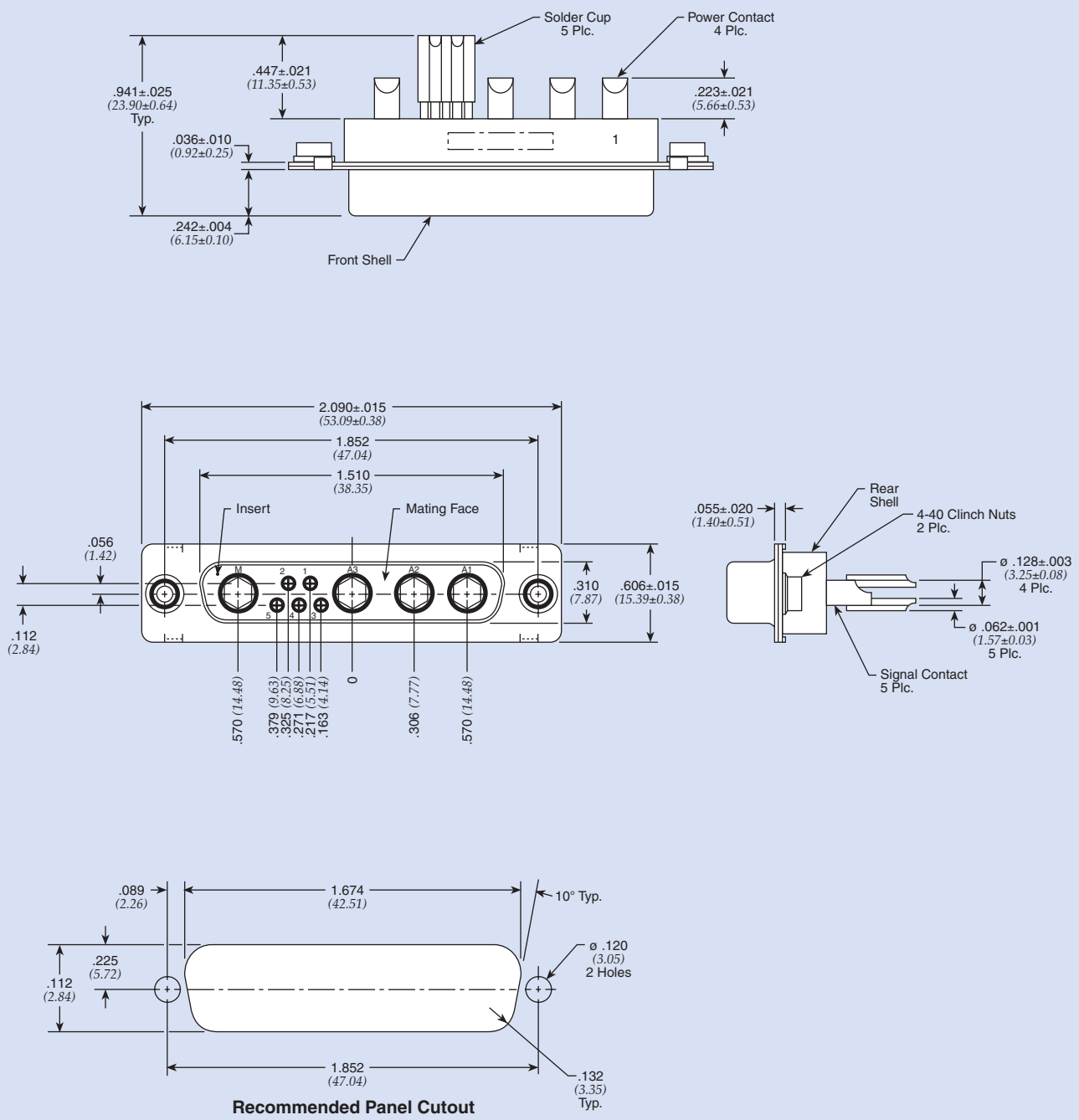
Dimensions in inches (mm)

Filtered Connectors



Filtered Combo D-Subminiature Connectors 9W4

Socket - Solder Cup



Recommended Panel Cutout

Only represents a few of our available configurations. Consult factory for more information.

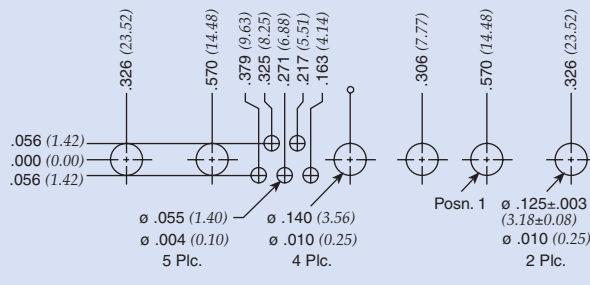
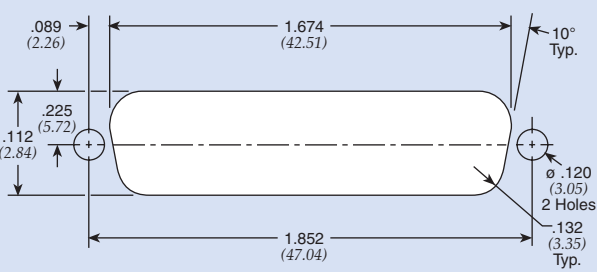
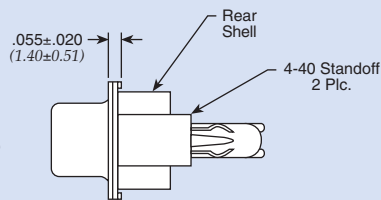
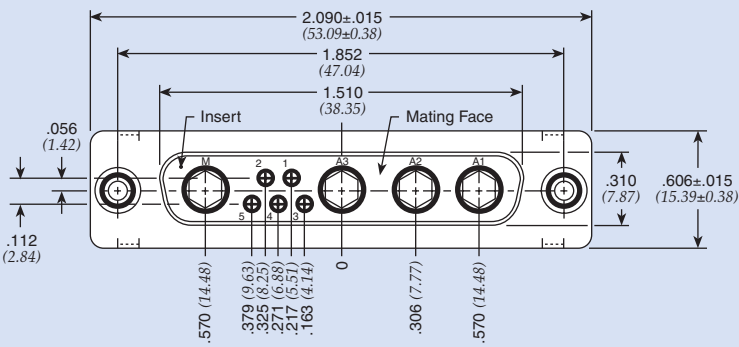
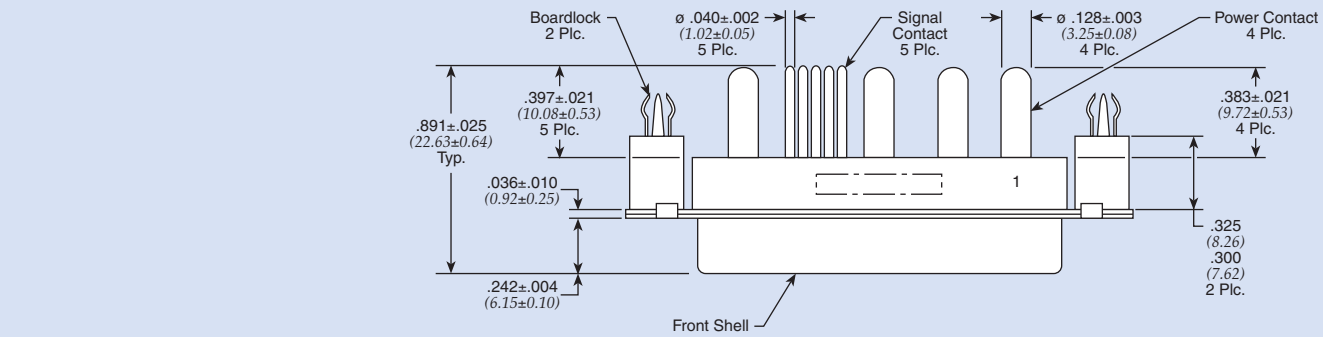
Dimensions in inches (mm)

Filtered Connectors



Filtered Combo D-Subminiature Connectors 9W4

Socket - Vertical



Recommended Panel Cutout

Recommended PC Board Mounting Dimensions

Only represents a few of our available configurations. Consult factory for more information.

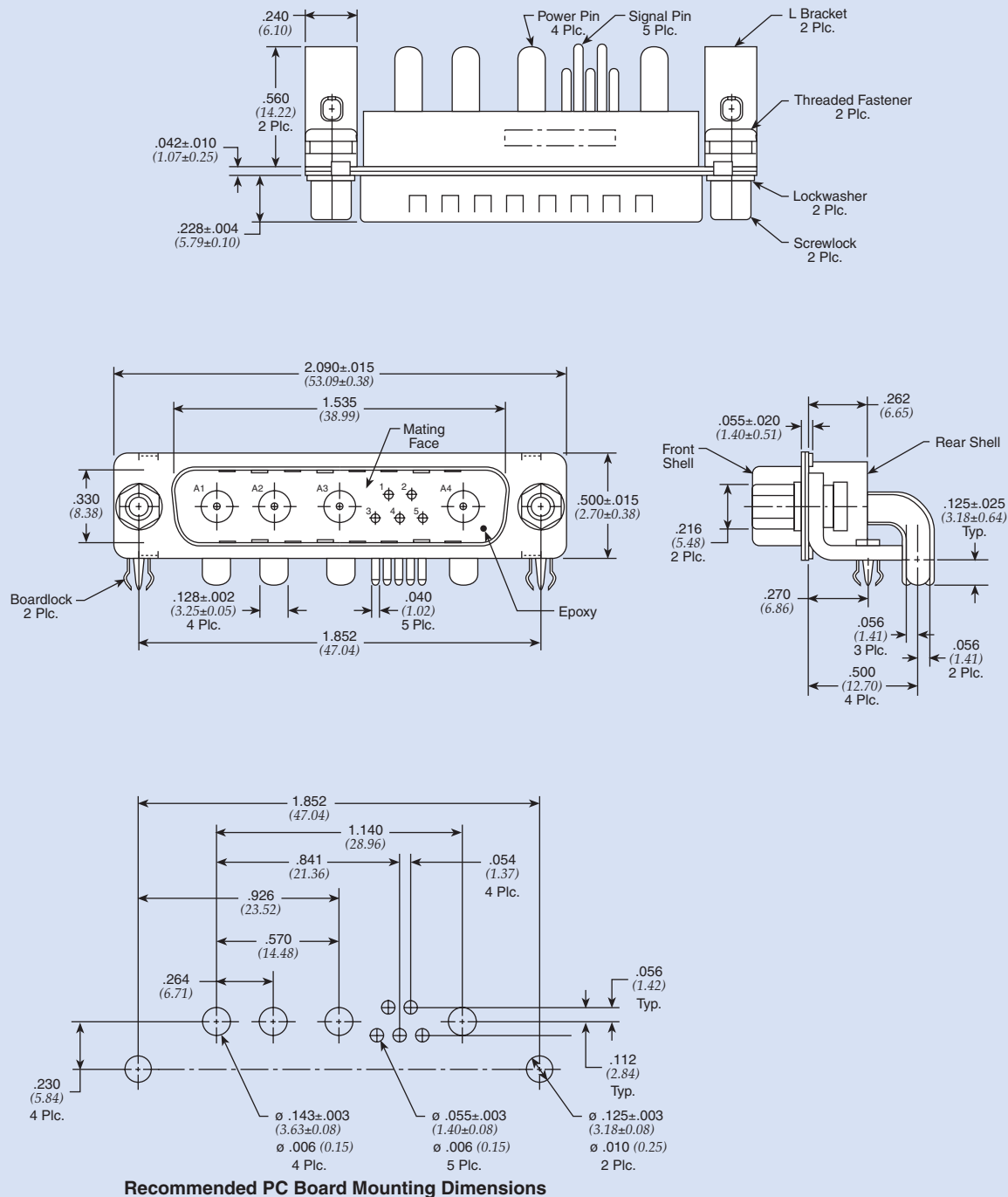
Dimensions in inches (mm)

Filtered Connectors



Filtered Combo D-Subminiature Connectors 9W4

Plug - Right Angle



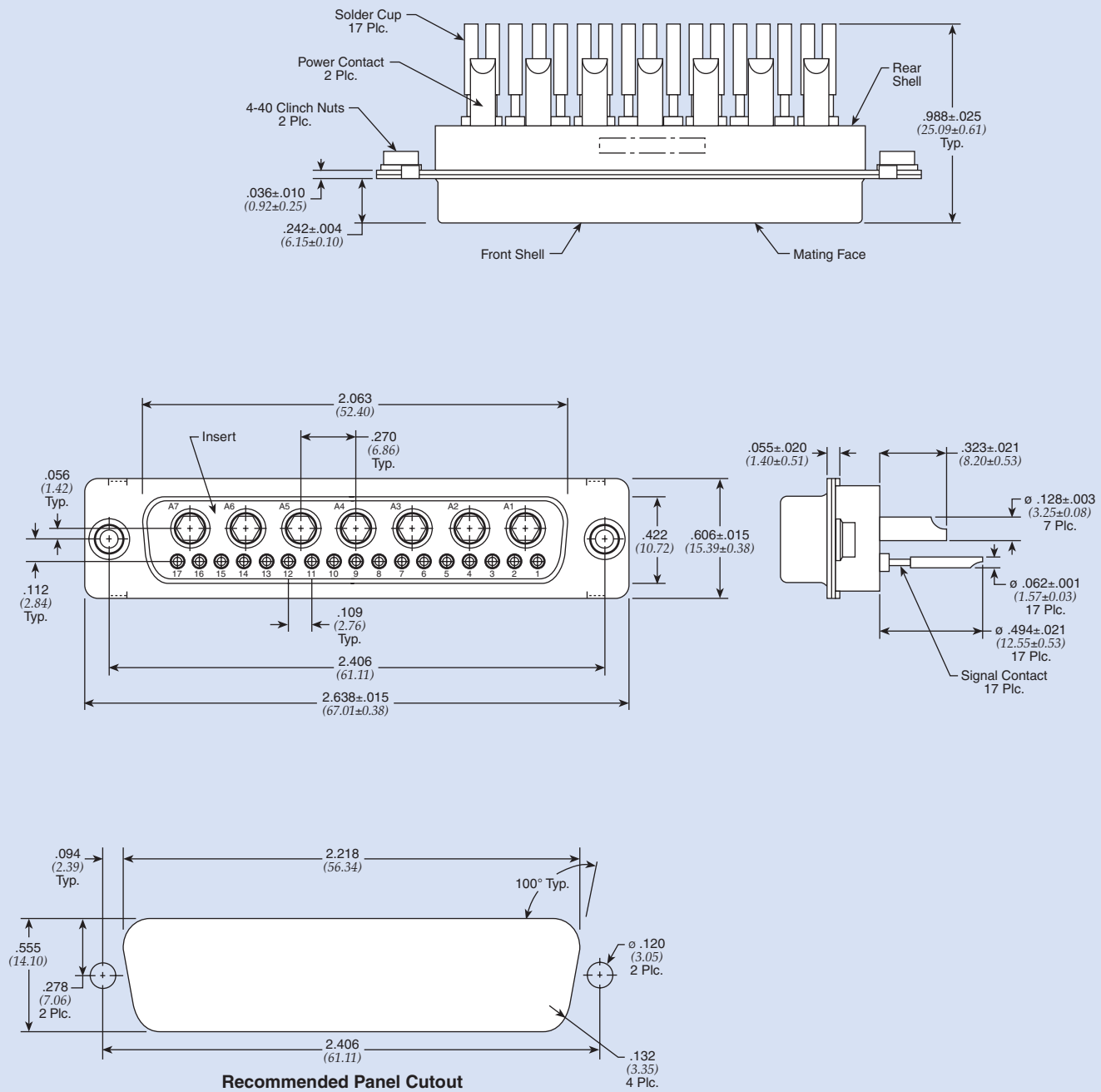
Only represents a few of our available configurations. Consult factory for more information.

Dimensions in inches (mm)



Filtered Combo D-Subminiature Connectors 24W7

Socket - Solder Cup



Only represents a few of our available configurations. Consult factory for more information.

Dimensions in inches (mm)

Filtered Connectors



Series E (ESD/EFT) Transient Protected Connectors

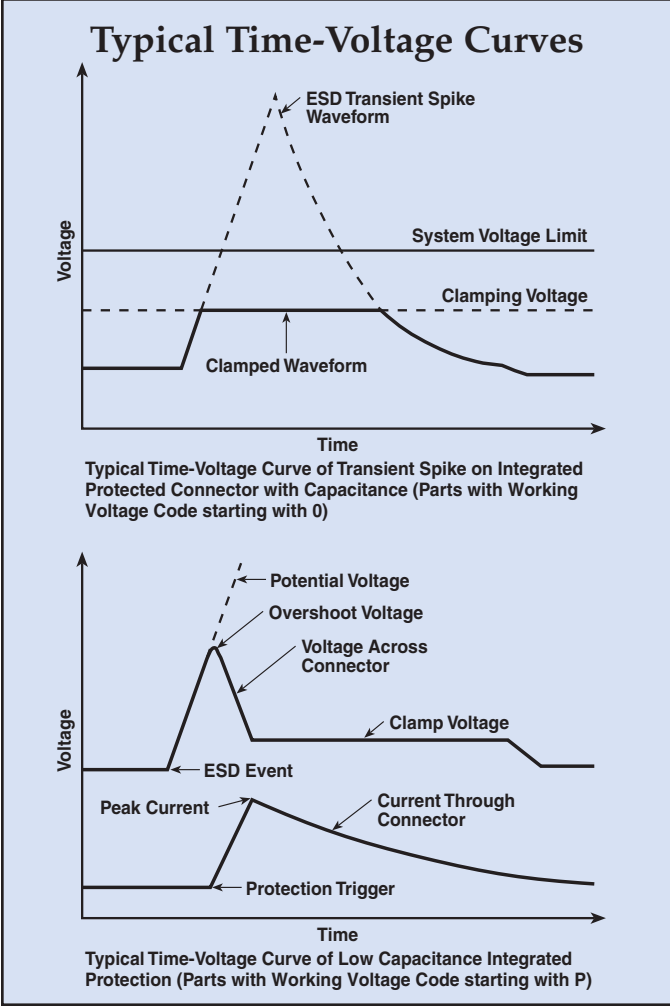
These fully integrated connectors and adapters provide protection from Electro Static Discharge (ESD) and Electronically Fast Transients (EFT) that can damage or even destroy your equipment. The connectors are designed to meet various IEC 61000-4-21, EN 61000-4-2 and IEC 61000-4 standards, and are offered in a wide range of clamping voltages to fit your specific application. The connectors have integrated ESD transient voltage suppressors from Littelfuse®, are available in industry standard sizes and are “drop in” replacements for unprotected connectors.

They are available with various capacitance levels to condition your signals to handle EMI issues at the same time or with as little as a 0.05 pF to protect the integrity of your signal in high speed or digital applications.

Features

- **ESD/EFT protection at the I/O ports** – Prevents the transients from entering the system before they can cause harm or create EMI problems.
- **Low ground impedance** – The metallic shell provides minimal impedance to direct the damaging transient spikes to ground, which is essential for proper protection.
- **Removal of ground traces from the board** – This eliminates potential line-to-line noise problems and spark-overs between ground and signal lines.
- **Complete protection** – All lines, including ground lines, have bi-directional protection.
- **Efficient space utilization** – Standard footprints save valuable board space in terms of not only components, but also extra ground traces.
- **Fewer components** – Reduces total number of components purchased, stocked, placed and tested; yielding the savings of all the hidden costs involved in these activities, while reducing your supplier base.
- **Available capacitance** – Available with various capacitance values to supply low pass properties along with the transient protection, thus supplying ESD/EFT and EMI protection all in one complete package. The metal shell also provides EMI shielding of system. Parts are available with capacitance values less than 50 pF for digital and very high speed signal lines.

Filtered Connectors



Mechanical Specifications

- Front Shell Steel, tin plated
- Housing 94V-0 rated thermoplastic, black
- Eyelets Brass, tin plated
- Threaded Inserts Zinc
- Boardlocks Copper alloy, tin-lead plated
- Pin Contacts Brass
- Socket Contacts Phosphor Bronze
- Contact Plating Duplex plated as follows: 15uin (.38um) gold on mating end, with entire contact 50uin (1.27um) min. nickel underplated and flash gold finish.
- Current Rating 5 Amp per pin
- Operating Temp -55°C to +125°C



Series E (ESD/EFT) Transient Protected Connectors

Ordering Information

Example: **56-E04-005-5-T**

This part number represents a Series E connector with a shell size of 9 and a socket to right angle configuration. The maximum working voltage is 5.5 VDC and the connector has a .590" footprint with 4-40 threads.

56	E	0	4	005	5	T
Integrated D-sub Connectors	Series E (ESD/EFT) Connectors	Shell Size/ Number of Contacts	Contact Type/Termination	Working Voltage Code	Footprint (right angle connectors only)	Mounting or Hardware Options
		0 - 9 size 1 - 15 size 2 - 25 size 3 - 37 size	1 - Pin to solder cup 2 - Pin to right angle 3 - Socket to straight PCB 4 - Socket to right angle 5 - Adapter (pin to socket) 6 - Socket to solder cup 7 - Pin to straight PCB	See table below. (Use 3-digit code that matches your electrical requirements)	3 - .318" 4 - .405" 5 - .590"	<ul style="list-style-type: none"> - .120 thru-hole and 15µ" gold 3G - 30µ" gold 5G - 50µ" gold SC and Straight PCBs (only) TIB - 4-40 thread on rear of flange TIF - 4-40 thread on front of flange MIB - M3 thread on rear of flange GBL6 - for .062" boards JS - Jack screws Right Angles and Adapters (only) - No GBL attached GL - Includes grounding board lock T - 4-40 threads GB - No board locks J - Jack screws M - M3 thread GJ - GL and jack screws

Transient Voltage Protection with Capacitance

Immunity to IEC 61000-4-2 (ESD) up to level 4 and IEC 61000-4-4 (EFT) air and contact discharge specifications.

Working Voltage Code	Max. Working Voltage VDC	Max. Working Voltage VAC	Clamp Voltage 8 x 20 µs	Peak Current 8 x 20 µs	V breakdown 1 ma	Energy (J) 10 x 100 µs	Typical Cap. pF at 1 MHz	
003	3.5	2.5	10.0@5A	120	5 (3.7-7.0)	0.3	2200	
005	5.5	4.0	15.5@5A	120	8 (7.1-9.3)	0.3	1600	
009	9.0	6.5	20.0@2A	40	12 (11-14)	0.1	450	
012	12.0	9.0	25.0@2A	40	16 (14-18.5)	0.1	350	
014	14.0	10.0	30.0@5A	120	18 (15.9-20.3)	0.3	480	
018	18.0	14.0	40.0@5A	120	25 (22-28)	0.3	450	
026	26.0	20.0	58.0@5A	100	34 (29.5-38.5)	0.3	190	
030	30.0	25.0	65.0@2A	30	42 (37-46)	0.1	80	
>30.0	>30.0	>25.0	Please consult factory for availability					

Notes: Consult factory for custom capacitance values. Typical leakage at 25°C is <25 µA
Maximum leakage 50 µA at V_{m(DC)}

Transient Voltage Protection without Significant Capacitance

Immunity to IEC 61000-4-2 (ESD) up to Level 4 air and contact discharge. Excellent for digital, high speed and high frequency signals.

Working Voltage Code	Max. Working Voltage (V) DC	Clamp Voltage Typical	Clamp Voltage Maximum	Trigger Voltage	Leakage (A) Current	Typical Cap. at 1 MHz
P24	24.0	150.0	80.0	1000	<1.0 nA	0.05 pF

Board Layouts

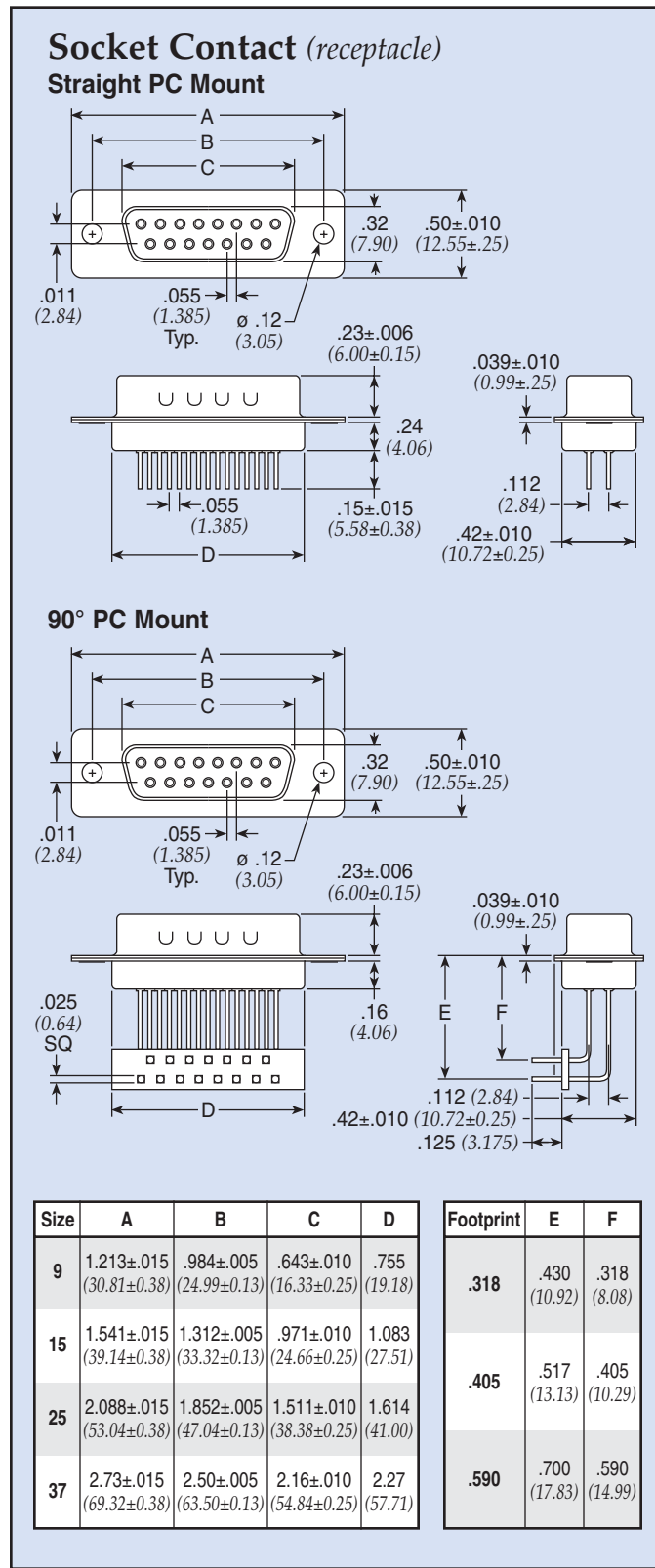
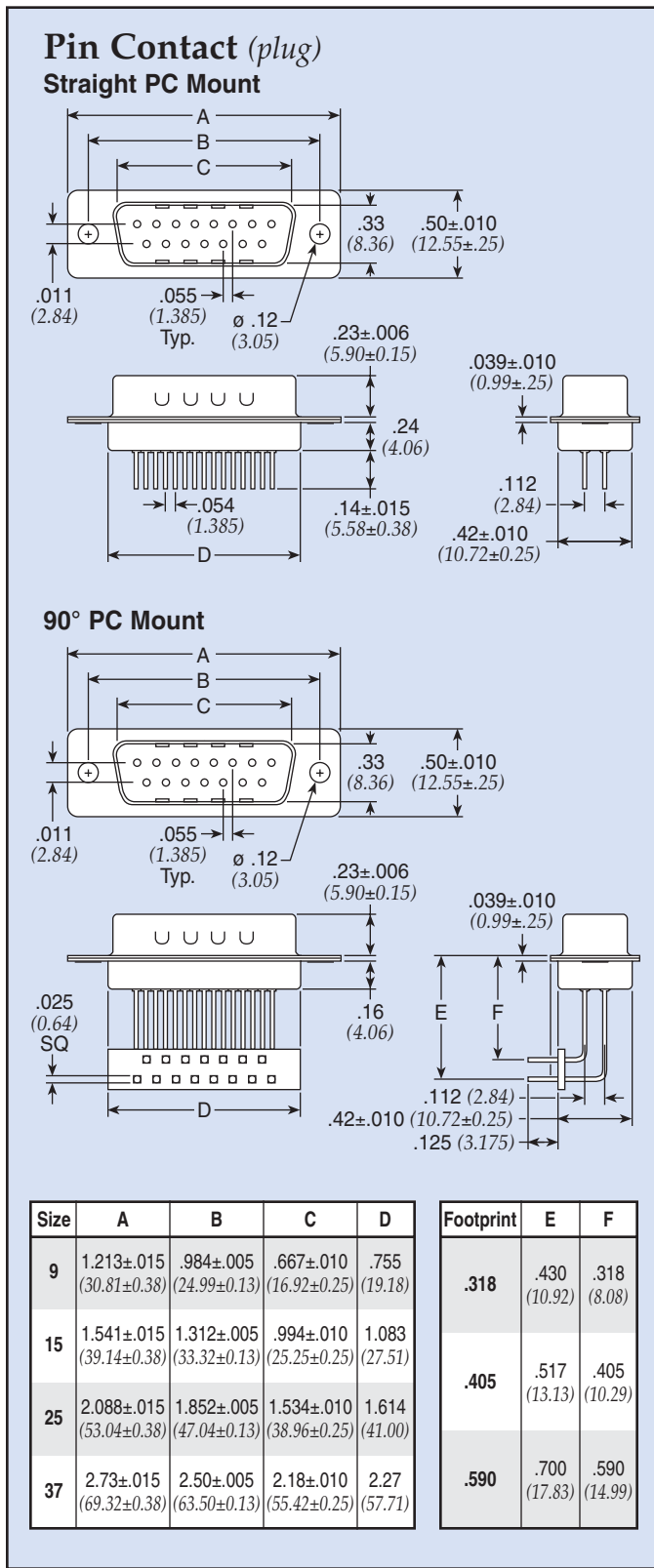
Shell Size	.318" and .405" Footprint Typical Layout - Top View		Shell Size	.590" Footprint Typical Layout - Top View	
	A	B		A	B
9	.984 (24.99)	.054 (1.385)	9	.984 (24.99)	.054 (1.385)
15	1.312 (33.32)	.109 (2.77)	15	1.312 (33.32)	.109 (2.77)
25	1.852 (47.04)	.112 (2.84)	25	1.852 (47.04)	.112 (2.84)
37	2.500 (63.50)	.112 (2.84)	37	2.500 (63.50)	.112 (2.84)

SPECTRUM CONTROL INC. • 8031 Avonia Rd. • Fairview, PA 16415 • Phone: 814-474-2207 • Fax: 814-474-2208 • Web site: www.spectrumcontrol.com
SPECTRUM CONTROL GmbH • Hansastrasse 6 • 91126 Schwabach, Germany • Phone: (49)-9122-795-0 • Fax: (49)-9122-795-58



Series E (ESD/EFT) Transient Protected Connectors

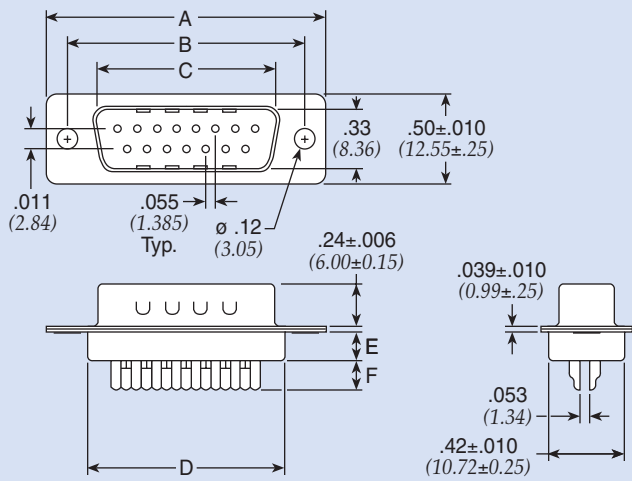
Filtered Connectors



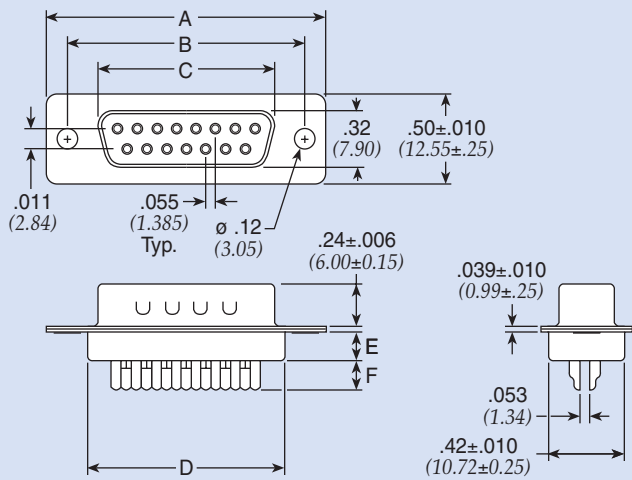


Series E (ESD/EFT) Transient Protected Connectors

Pin Contact (plug) Solder Cup Termination



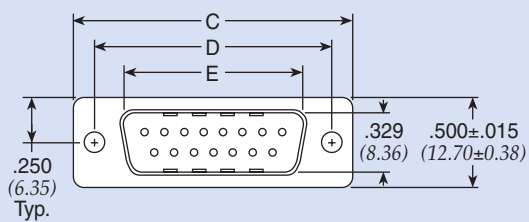
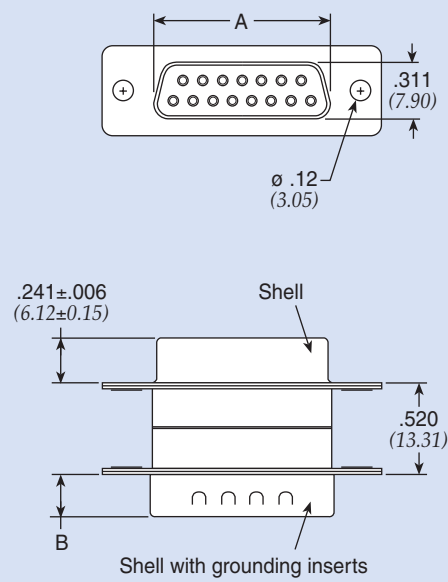
Socket Contact (receptacle) Solder Cup Termination



Size	A	B	C	D	E	F
9	1.213±.015 (30.81±0.38)	.984±.005 (24.99±0.13)	.643±.010 (16.33±0.25)	.755 (19.18)	.16 (4.06)	.16 (4.06)
15	1.541±.015 (39.14±0.38)	1.312±.005 (33.32±0.13)	.971±.010 (24.66±0.25)	1.083 (27.51)	.16 (4.06)	.16 (4.06)
25	2.089±.015 (53.04±0.38)	1.852±.005 (47.04±0.13)	1.511±.010 (38.38±0.25)	1.615 (41.00)	.16 (4.06)	.16 (4.06)
37	2.73±.015 (69.32±0.38)	2.50±.005 (63.50±0.13)	2.16±.010 (54.84±0.25)	2.27 (57.71)	.16 (4.06)	.16 (4.06)

Dimensions in inches (mm)

Pin - Socket Adapter



Size	A	B	C	D	E
9	.642 (16.31)	.233±.006 (5.92±.15)	1.213±.015 (30.81±.38)	.984 (24.99)	.667 (16.94)
15	.970 (24.64)	.233±.006 (5.92±.15)	1.541±.015 (39.14±.38)	1.312 (33.33)	.995 (25.27)
25	1.511 (38.38)	.228±.006 (5.80±.15)	2.088±.015 (53.04±.38)	1.852 (47.05)	1.532 (38.92)
37	2.158 (54.82)	.228±.006 (5.80±.15)	2.729±.015 (69.32±.38)	2.500 (63.50)	2.183 (55.45)

Dimensions in inches (mm)

Filtered Connectors



Filtered Miniature Ribbon Connectors

Filtered miniature ribbon connectors are fully interchangeable and interchangeable with existing standard product. Rugged design construction and predictable capacitive filter performance is available in right-angle and male/female adapter versions.

Applications for this type of connector are widely diversified and include all phases of the telecommunications industry including original telephone manufacturing, operating telephone companies, cable reclamation, cable manufacturing and bay connectorization. The filtered miniature ribbon connector line is also ideally suited for use in printers, computer terminals, test equipment, business and copying machines, telemetering, and various equipment used in the security industry.

Features

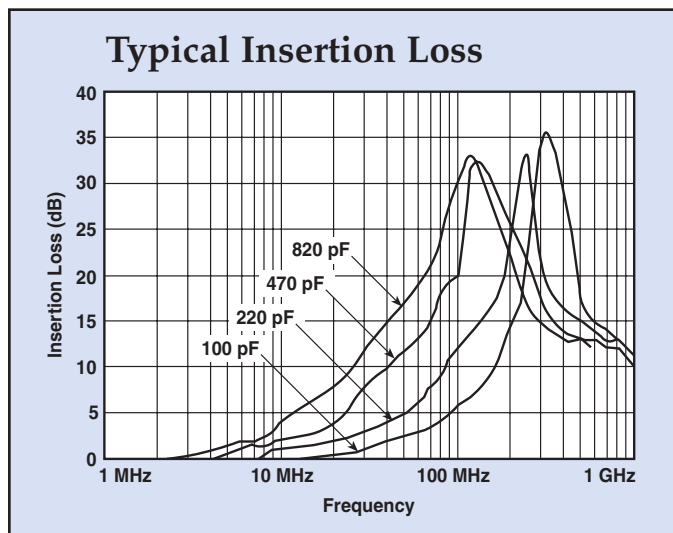
- Lower installed cost
- Assists with FCC Part 15; available for Part 68 requirements
- Applicable for VDE specifications 0871, 0875-0878, Vfg Federal Regulations and VCCI noise requirements
- Drop-in replacement, matched footprint
- All circuit lines filtered
- Connector body is recognized under the Component Recognition Program of Underwriters Laboratories, Inc.
- Plastic components are UL94V-0 rated
- Connector body is certified by Canadian Standard Association

Mechanical Specifications - Adapter

Shell Zinc
 Thermoplastic
 Insert Black, high strength
 Contacts Copper alloy
 Contact Plating 30uin (.76um) (min.)
 gold over nickel

Mechanical Specifications - Connector

Shell Steel, tin plated
 Thermoplastic
 Insert Blue, 30% glass filled
 Contacts Phosphor bronze
 Contact Plating Gold flash (<10 μ in) over nickel



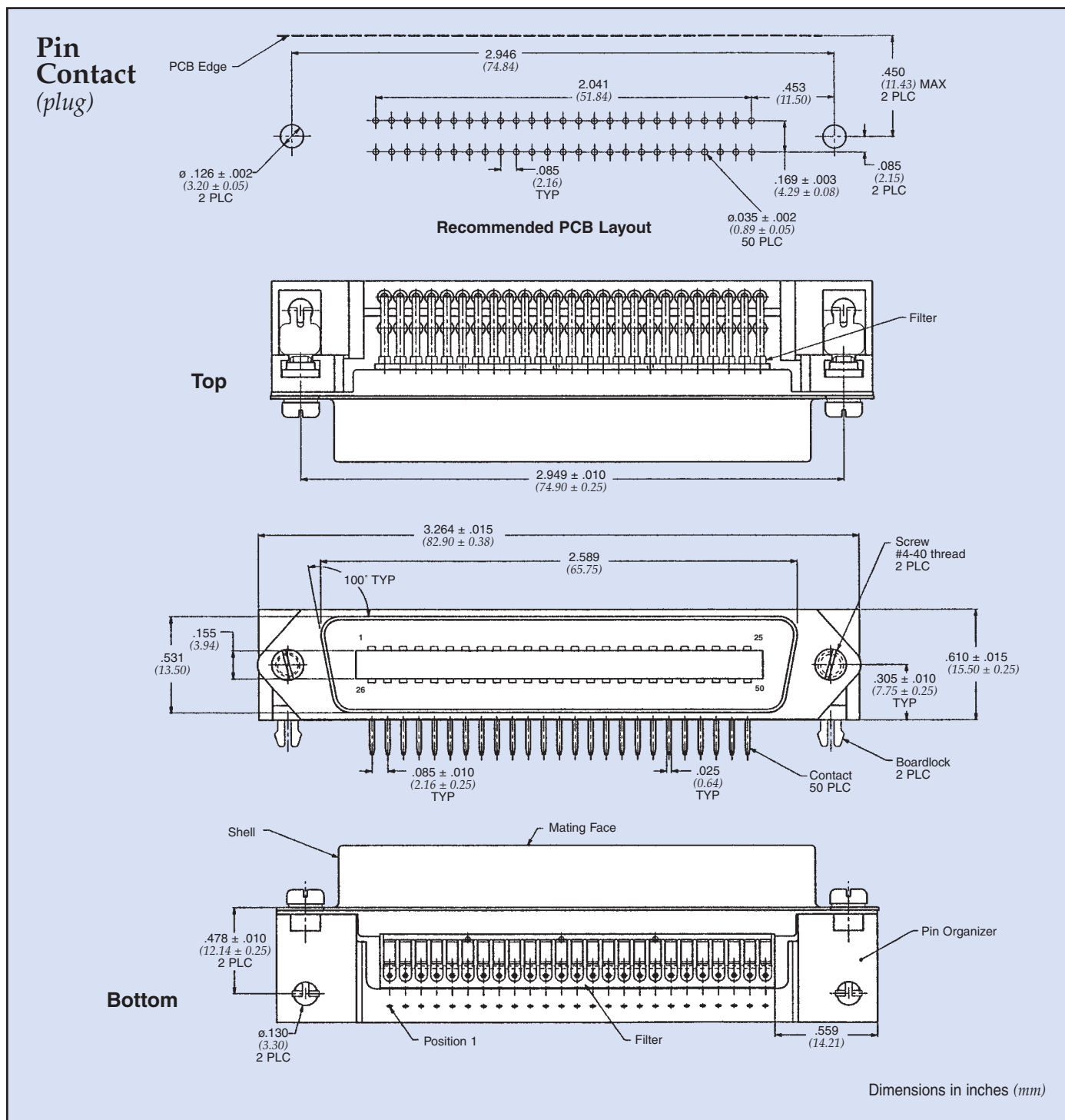
Electrical Specifications

Operating Temperature -55°C - 105°C
 Dielectric Withstanding Voltage 1000 VAC min per (FCC Part 68 test)
 Capacitance 100 pF, 220 pF, 470 pF, 820 pF, ±15% (adapter), ±20% (connector)
 Dissipation Factor 2.5% max (adapter) 5% max (connector)

Filtered Connectors



Filtered Miniature Ribbon Connectors 50 Position

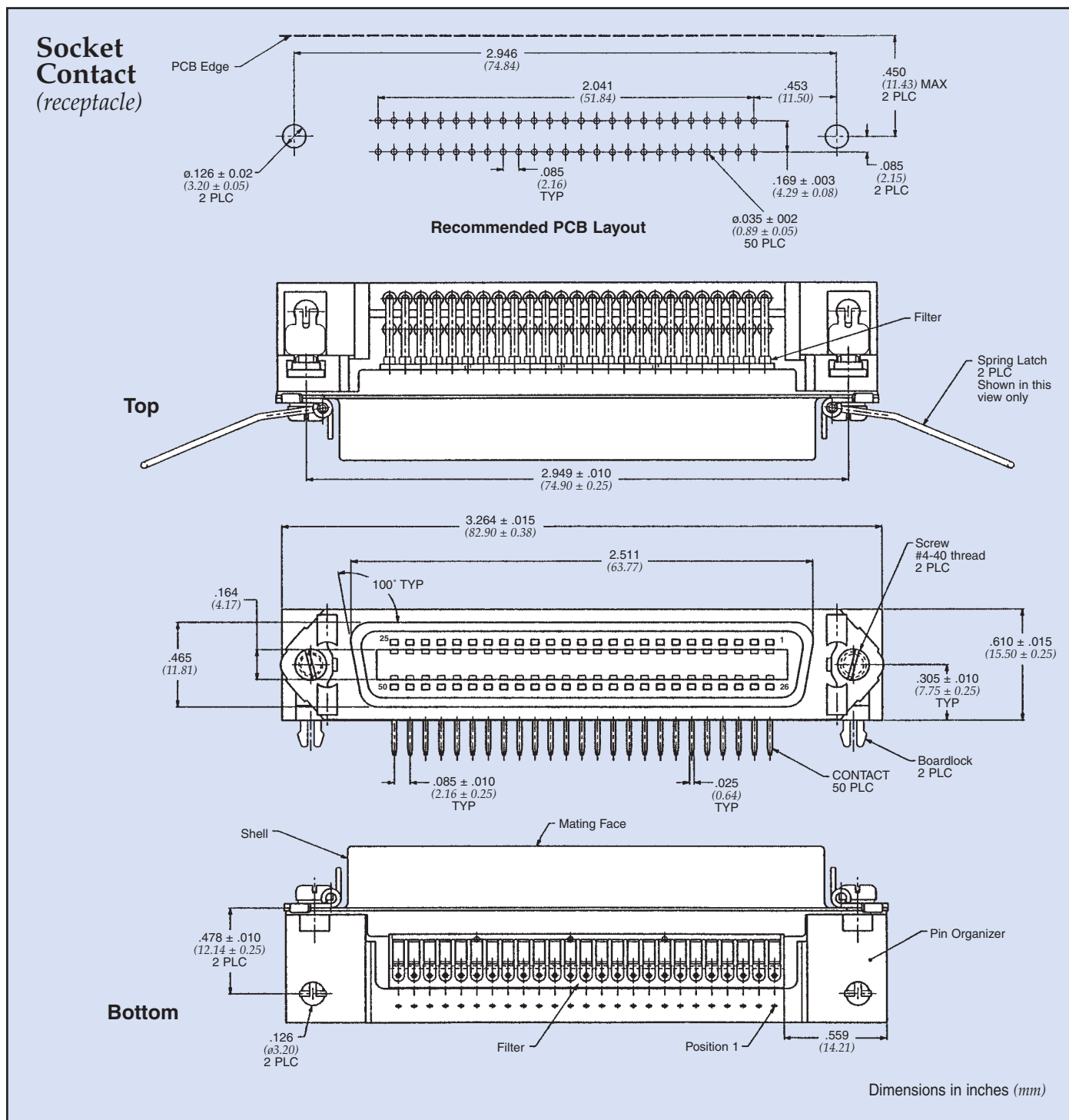


Filtered Connectors

Part Number	Capacitance Value
56-882-002	100 pF, ±20%
56-882-003	220 pF, ±20%
56-882-004	470 pF, ±20%
56-882-005	820 pF, ±20%



Filtered Miniature Ribbon Connectors 50 Position

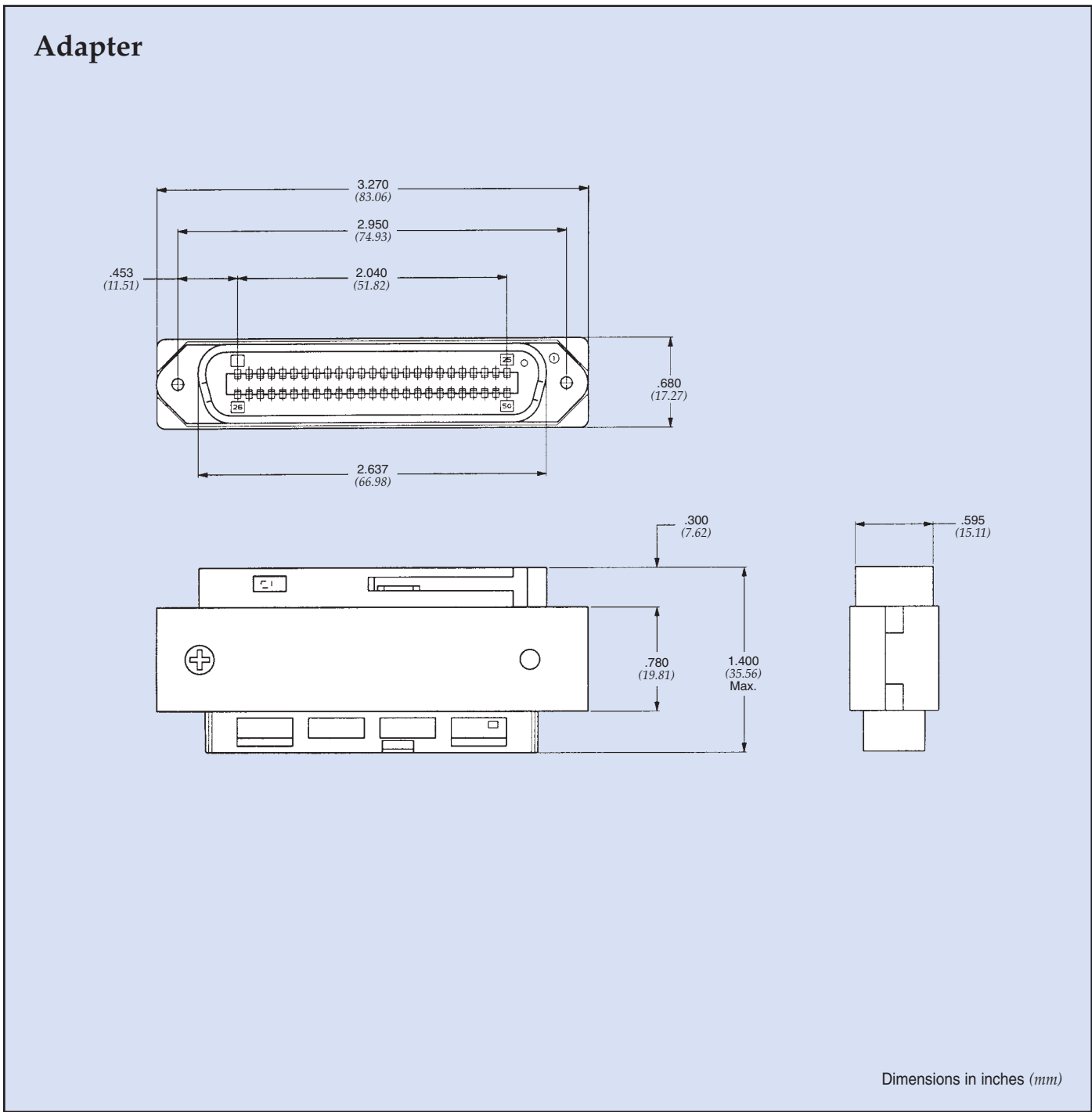


Filtered Connectors

Part Number	Capacitance Value
56-886-002	100 pF, ±20%
56-886-003	220 pF, ±20%
56-886-004	470 pF, ±20%
56-886-005	820 pF, ±20%



Filtered Miniature Ribbon Connectors 50 Position



Filtered Connectors

Part Number	Capacitance Value
56-889-002	100 pF ±15%
56-889-003	220 pF ±15%
56-889-004	470 pF ±15%
56-889-005	820 pF ±15%

Hardware options also available. Consult factory for more information.



Filtered Modular Jack Connectors

Protecting signals from electromagnetic interference (EMI) is now more important than ever. Spectrum Control gives you more choices in keeping your signals clean and free of EMI. Whatever the level of protection your application requires, we offer signal conditioning products that meet any level of price and performance.

These compact, low-cost, filtered printed circuit board RJ45 modular jack connectors from Spectrum Control offer an inexpensive way to protect equipment from conducted and radiated electromagnetic interference (EMI), while meeting all appropriate performance requirements. Offering compact size and high reliability, these new connectors are fully interchangeable and interchangeable with existing standard product. The low profile and narrow width of the multi-port style allows more ports to be packed into less space.

Ferrite filtered versions can be supplied in fully shielded, partially shielded or unshielded versions. Redundant shielding tabs ensure that a low impedance ground path is maintained across the interface; tabs are available in board-ground or panel-ground versions, with panel-ground jacks also incorporating board-ground legs. These flame retardant polyester thermoplastic connectors are compatible with wave solder environments, and employ duplex plated contacts with solder tails.

Modular jack connectors assist with FCC Part 15 A & B; and CISPR 22 compliance.

Applications for this type of connector are widely diversified and include: LANs, WANs, network cards, broadband transmission equipment, workstations, peripherals, fax/modems, copy machines and multiplexing.

Features

- Lower installed cost
- Assists with FCC Part 15 A & B; and CISPR 22 compliance
- Drop-in replacement, matched footprint
- All circuit lines protected
- Inductor or capacitor versions
- Available with two grounding options – PCB or parallel
- Unshielded, partial or fully shielded versions
- Certified by Canadian Standards Association File No. LR 7189
- Certified by Underwriters Laboratories, Inc., File Number E81956

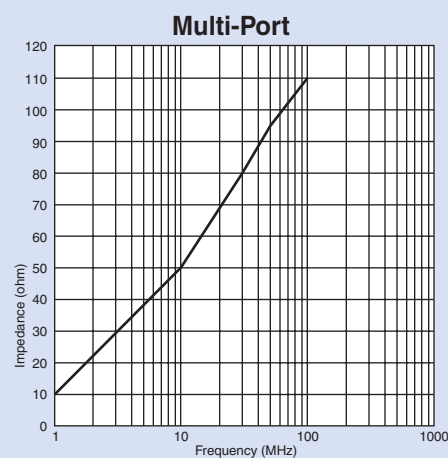
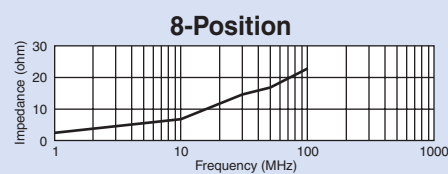
Filtered Connectors



Equivalent Circuit (Ferrite Version)



Typical Impedance vs. Frequency (Ferrite Version)

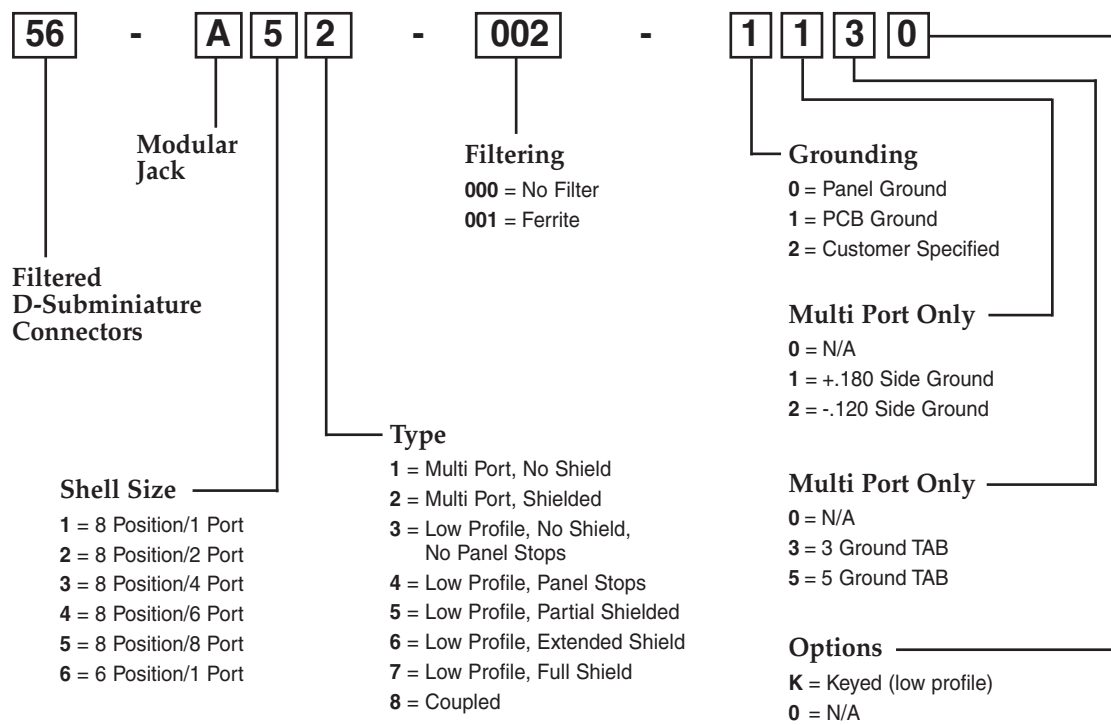




Filtered Modular Jack Connectors

Ordering Information

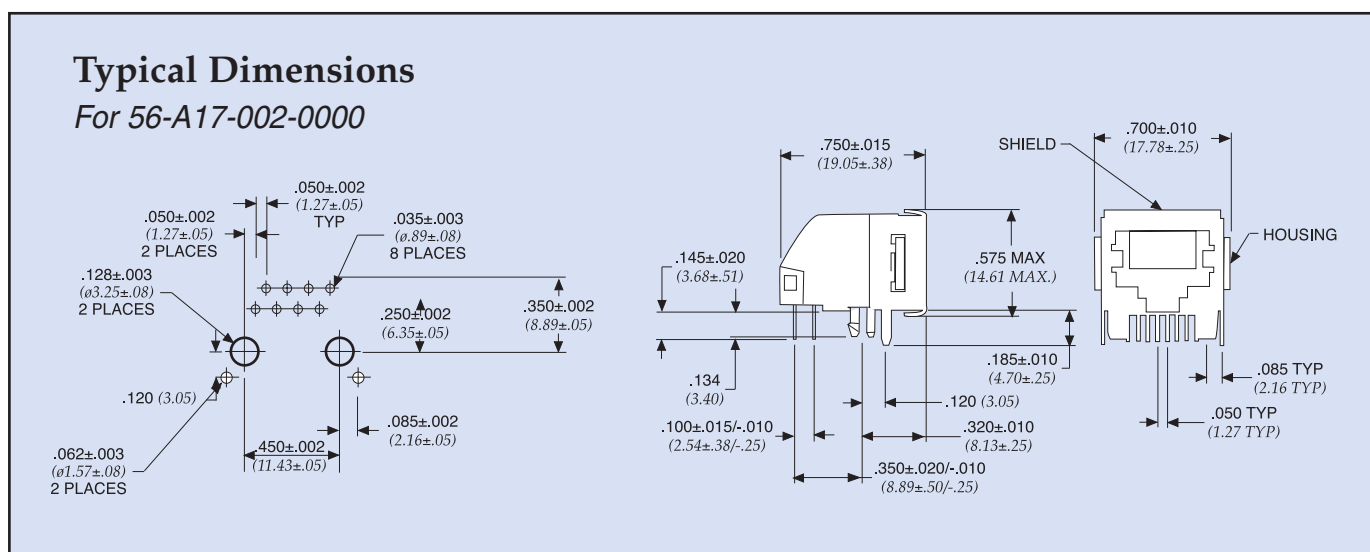
Example: **56-A52-002-1130**



Note: Not all configurations available for every size, consult factory for availability

Typical Dimensions

For 56-A17-002-0000



Dimensions in inches (mm)

Filtered Connectors

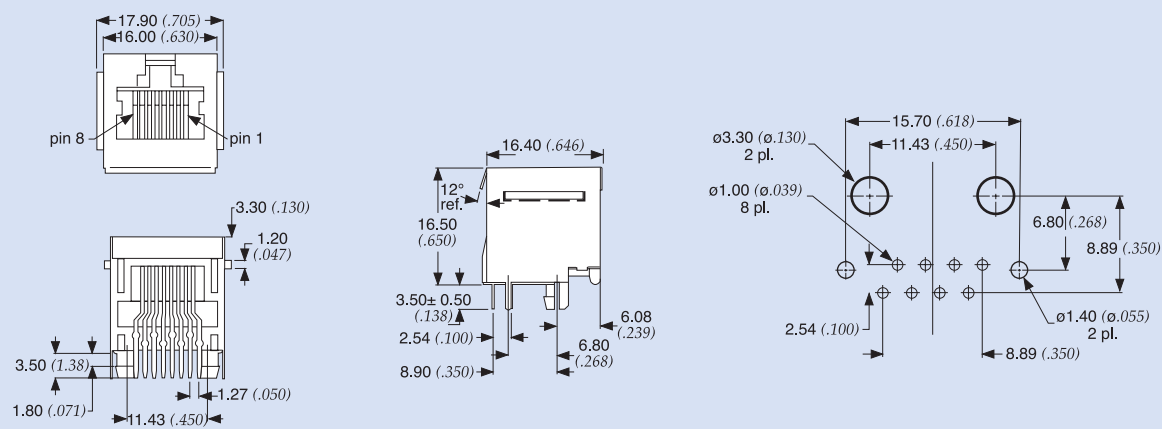


Filtered Modular Jack Connectors



Typical Dimensions

For 56-A18-005-1000 Vertical Mod Jack

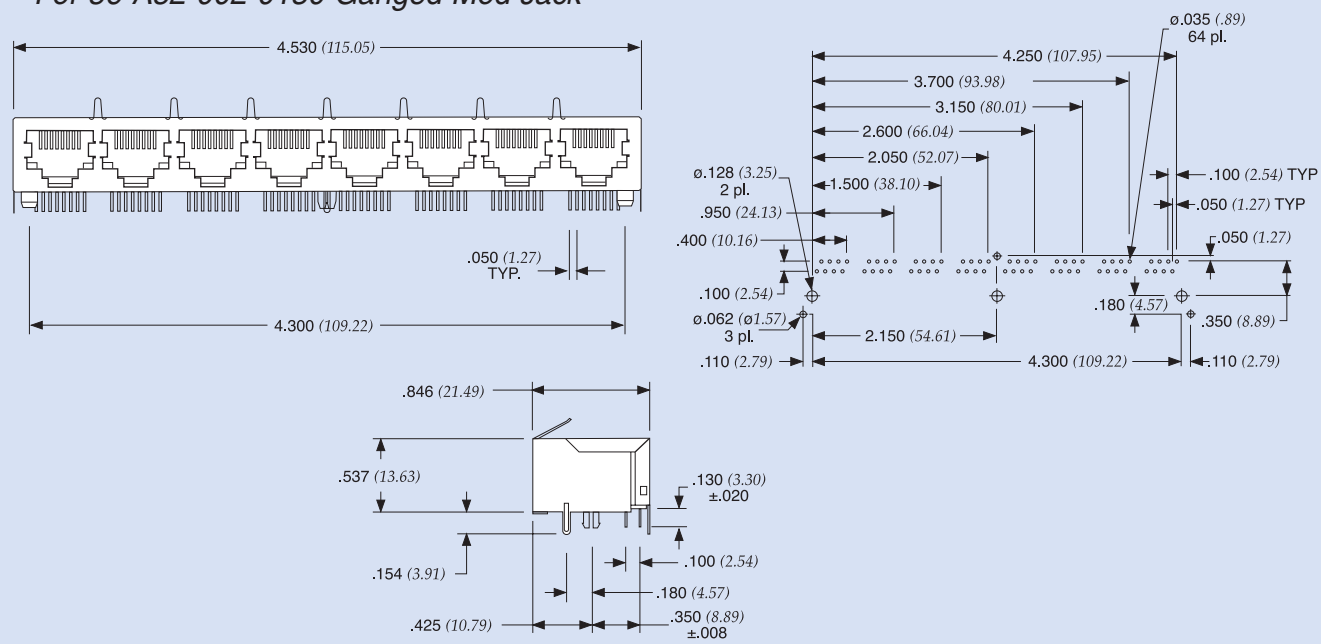


Dimensions in inches (mm)

Filtered Connectors

Typical Dimensions

For 56-A52-002-0130 Ganged Mod Jack



Dimensions in inches (mm)



Filtered Mini-DIN Connectors

Filtered mini-DIN connectors are available in several configurations and sizes. These are "drop-in" replacements for standard unfiltered connectors with matched footprints. Housings are made of high temperature UL94V-0 rated thermoplastic material. Connectors are available with full metal shields and kinked or straight ground tabs. Each size can be shielded or filtered with ferrites.

Primary applications are in computer keyboard and mouse connections.

Features

- Audio, video and computer equipment
- Drop-in replacement for unfiltered connectors
- Shielded, ferrite or capacitive filtering

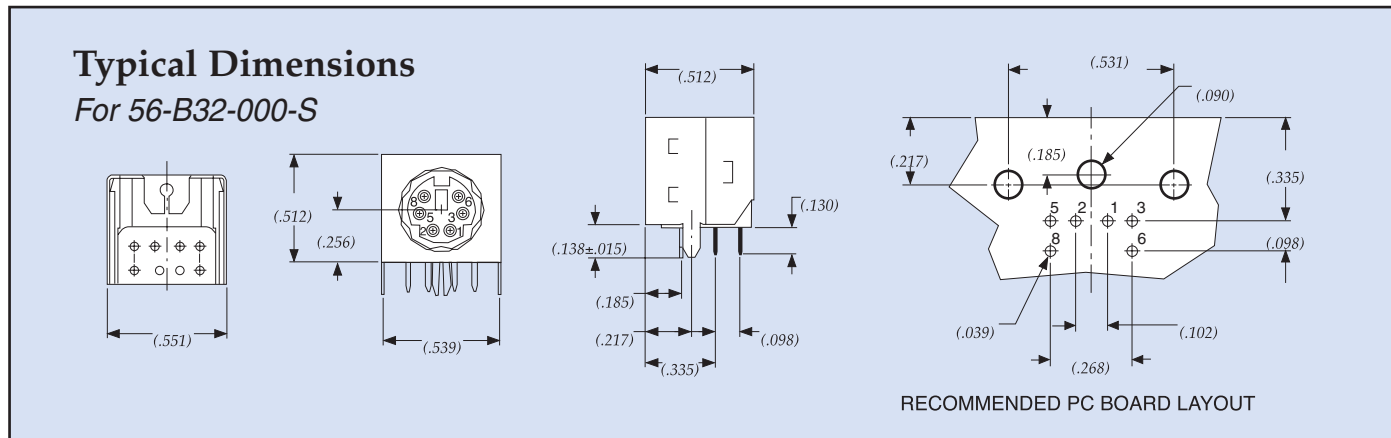


Specifications

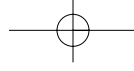
<i>Contacts</i>Copper alloy, gold over nickel plating
<i>Shield</i>Brass, tin plated
<i>Housing</i>94V-0 rated thermoplastic, black
<i>Current rating</i>1A @ 12 VDC
<i>DWV</i>500 VDC
<i>Insulation Resistance</i>500MOhms min
<i>Operating Temp</i>-25°C to +70°C
<i>Typical Ferrite Impedance</i>20-22 Ohm @ 100 MHz
<i>Typical insertion loss</i>32 db @ 200 MHz


Ordering Information

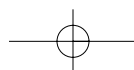


Example: **56-B32-000-S**



Dimensions in inches (mm)




**EMI & ESD
Protection @ the
USB Connector**



The industry wide adoption of connector standards for computer peripherals has helped facilitate the explosion of consumer electronics technology. The resulting Universal Serial Bus (USB) connector allows for high-speed, easy connection of an ever-increasing range of peripherals to a PC and to each other.

Today, there are several standards governing USB connectors. The original USB 1.0 has been supplemented by USB 2.0, which passed in 2000. USB 2.0 allows for significantly higher data transfer rates, 480 megabits per second (MPS) vs. only 12 MPS under USB 1.0. Additionally, in 2002 USB On-The-Go (OTG) was introduced to further extend these connectors to dual-role devices that can act as a host or peripheral. All of these standards have yielded devices that are much easier to install and can be freely connected and disconnected without rebooting the computer system.

The Need for EMI & ESD Protection

Inherent in the development of more plug-and-play devices with hot-plug capability is greater risk of system exposure to electromagnetic interference (EMI) and electrostatic discharge (ESD). Both of these phenomenon can cause transmission signal degradation, loss of data, system lock-up, and permanent hardware damage. As system circuitry has gotten more complex to accommodate faster transfer speeds and smaller package sizes, greater potential exists for damage from EMI and ESD occurrences. The USB 2.0 spec calls for EMI and ESD protection according to industry specifications. This protection has become more of a challenge as less space is available for components and smaller IC chips are more susceptible to low level damage.

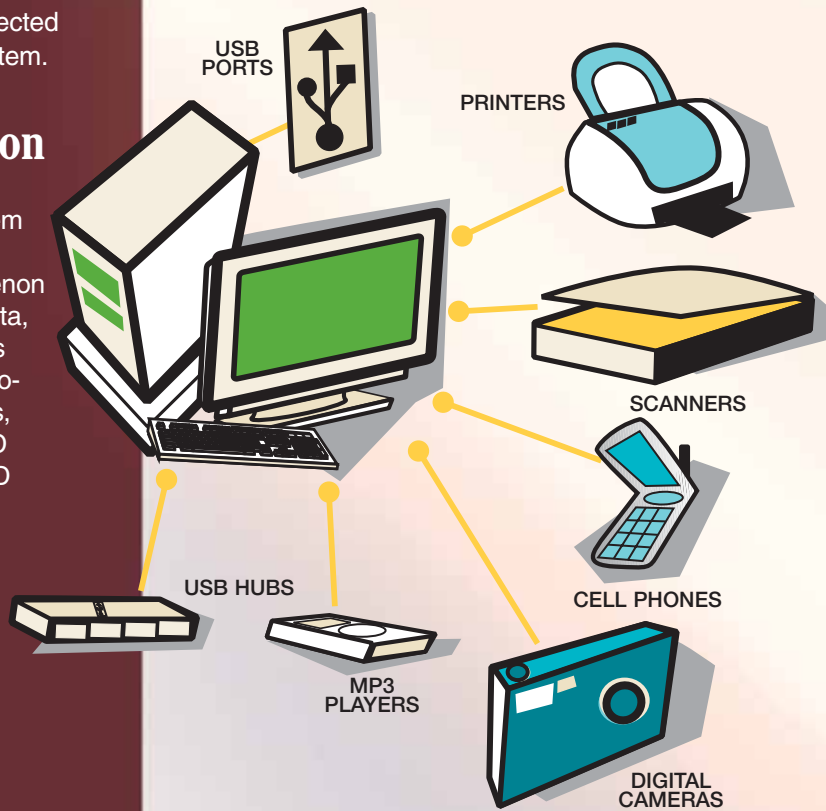
A Better Solution... Filtering at the Connector

Spectrum Control has developed a series of USB connectors that incorporates EMI and ESD filters into an industry standard USB package. By moving the EMI filtering or ESD protection to the USB connector, designers can free-up valuable PC board space for other components and provide better protection for the entire device. These connectors are drop-in replacements for unfiltered connectors making them ideal solutions for the ongoing miniaturization of peripheral devices. Spectrum's EMI filtered and ESD protected USB connectors also can eliminate the need to redesign PC boards in the event of noncompliance during either EMC or ESD testing. Various models of these connectors meet the requirements of USB 1.1 or USB 2.0 specifications and all are RoHS compliant.

Filtered Connectors



Plug-and-Play Devices put your computer at RISK!



Applications

- EMI/RFI Sensitive Electronics
- Test and Measurement Equipment
- Notebook Computers & Peripherals
- Home Entertainment & Multimedia
- Industrial Controls
- Data Acquisition

EMI Filtered USB Connectors Series USB-F

Electrical Specifications

Operating Temperature -55°C to +125°C
 Working Voltage 5 VDC
 Current Rating 1 Amp max.
 Contact Resistance 30 mΩ max.
 Temperature Range -40°C to +71°C

Capacitive Filtered

Capacitance 100pF
 Dielectric withstand voltage 125vDC

Inductive Filtered

Common mode impedance 90Ω ±25%
 @ 100MHz
 IR 10 MΩ min.
 DC Resistance 0.30 Ω max.

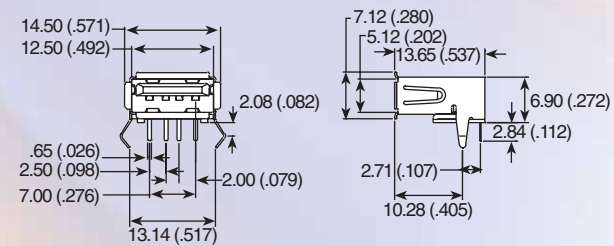
Material

Shell: Brass, nickel plated
 Insulator: Thermoplastic, UL94V-0, reflow compatible
 Contacts: Phosphor bronze, gold flash over nickel

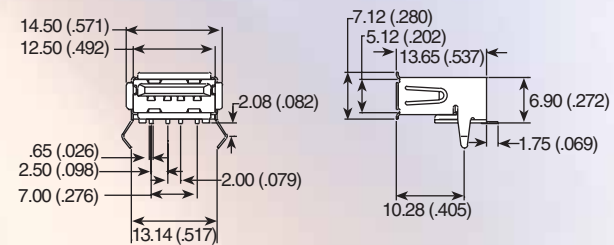


Capacitive Filters for USB 1.1

56FU04-004 - socket right angle through hole connector

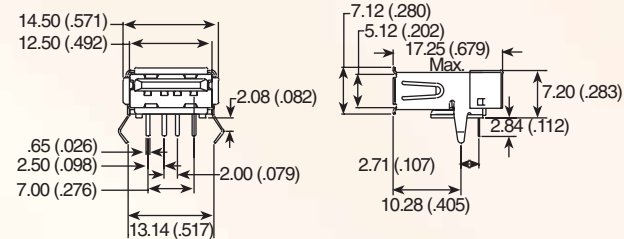


56FU04-004SM - socket-right angle surface mount connector

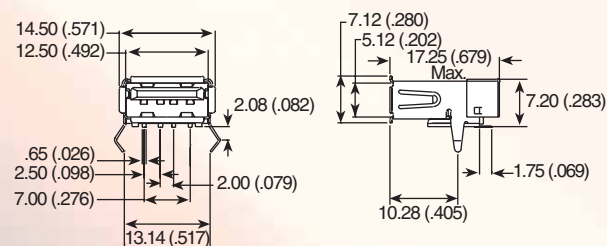


Inductive Filters for USB 2.0

56FU04-020 - socket right angle through hole connector

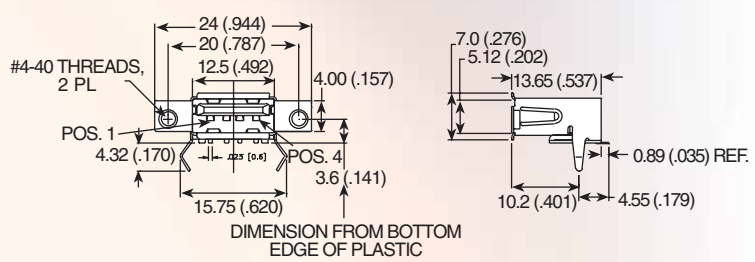


56FU04-020SM - socket-right angle surface mount connector



Note: ESD protection can be added to the 2.0 versions as an option

56FU04-004TPM - socket right angle through hole connector with panel mount tabs

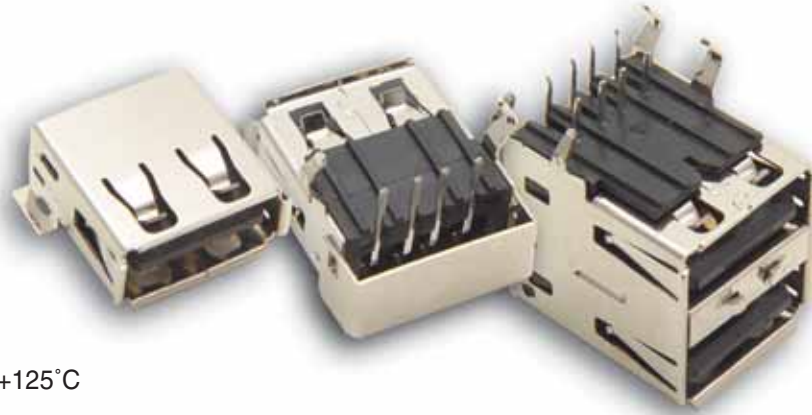


Note: Additional capacitor values available. Consult factory.

Custom styles and configurations available. Consult factory.

Filtered Connectors

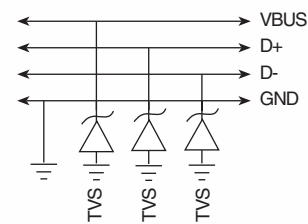
ESD Protected USB Connectors Series USB-E



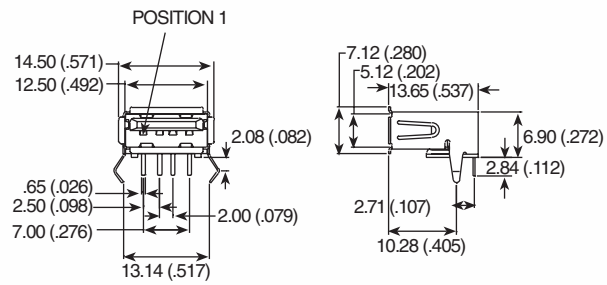
Electrical Specifications

- Operating Temperature -55°C to +125°C
- Working Voltage 5 VDC
- Current Rating 1 Amp max.
- Contact Resistance 30 mΩ max.
- Temperature Range -40°C to +71°C
- Reverse standoff voltage 5 Volts
- Reverse breakdown voltage 6 Volts
- Clamping voltage Ipp=1A, tp=8/20us, 9.8 Volts
(15 Volts for 56FU24-E01)
- Junction capacitance, I/O to GND 10pF max.
(3pF max. for 56FU24-E01)

Protection Schematic



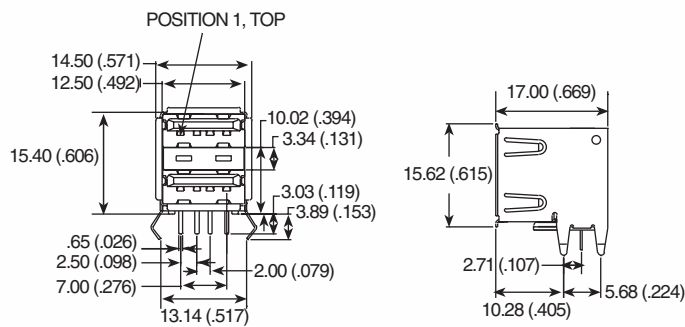
56FU04-E01 - socket-right angle through hole connector with TVS diodes



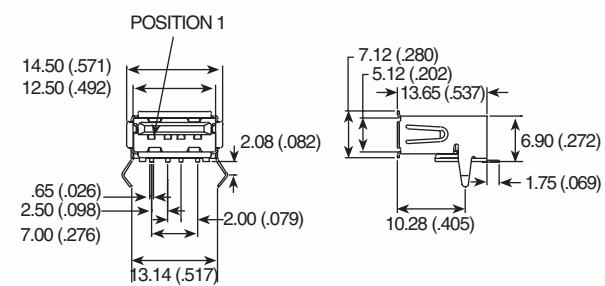
Material

- Shell: Brass, nickel plated
- Insulator: Thermoplastic, UL94V-0, reflow compatible
- Contacts: Phosphor bronze, gold flash over nickel

56FU24-E01 - stacked socket-right angle through hole connector with TVS diodes



56FU04-E01SM - socket right angle surface mount connector with TVS diodes



Custom styles and configurations available. Consult factory.

Filtered Connectors



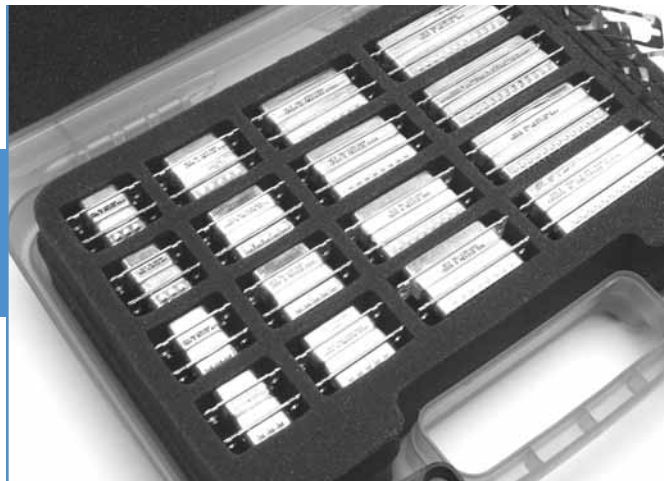
D-Subminiature Adapter Test Kit & Hardware

Adapter Test Kit

Specially designed for EMI evaluation process

- Male/female adapter part
- Easily plugged into equipment under testing conditions
- Ideal for new products and retrofitting
- Each adapter test kit includes:
 - 20 filtered adapters
 - Four shell sizes 9, 15, 25 and 37
 - Four filter ranges:

Series 700	Series 100
- 310 pF Pi	- 100 pF
- 830 pF FT	- 470 pF
- 1000 pF Pi	- 1000 pF
- 4000 pF Pi	- 5600 pF



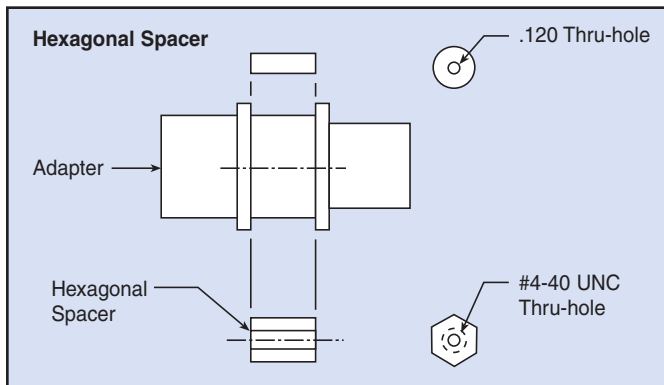
Adapter Test Kit

Hardware

Designed to provide simple and effective mounting

Hexagonal Spacer

- Tapped spacer fits between flanges
- Provide retrofit of 4-40" threads
- Two spacers per adapter required, packaged in bulk



Jackscrew Mounting Hardware

- Male/female jackscrews
- Standard 4-40 threads for compatibility
- Two male thread lengths available
- Two screws per adapter required
- Lockwasher included, packaged in bulk

Ordering Information

Description	Spectrum Part Number
Adapter test kit	56-700-002
Adapter test kit with Jackscrew <i>Includes 40 pcs. 56-201-006</i>	56-700-002-JS
Hexagonal Spacer	56-201-001 (1 per)
Jackscrew Mounting Hardware <i>For .312" (7.92 mm) length</i>	56-201-004 (1 per)
Jackscrew Mounting Hardware <i>For .688" (17.47 mm) length</i>	56-201-006 (2 per)
Series 100 adapter test kit	56-100-002
Tubular Spacer	56-201-003 (1 per)

Filtered Connectors



Waved Metal Gaskets

Proper mounting of an EMI filter is critical to achieving optimum filtering performance. For applications requiring very high attenuation, it is necessary to fill the gaps at the mounting surface-to-connector interface. The length of any gap must be short, relative to the wavelength of the signal to be attenuated. Spectrum Control supplies a line of "waved" gaskets. This design ensures the maximum "gap length" will not exceed the wave pitch, .200" (5.08mm), even on surfaces with poor flatness. This ensures maximum filter performance to 1GHz and beyond.

Specifications

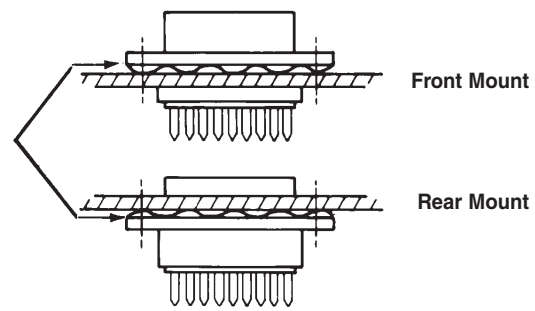
Material Beryllium Copper, CA 172 (per QQ-C-533)
Finish -70 Electro tin plate, 100 micro inches (per MIL-T-10727)
 NI nickel plated, AU gold plated

Material Thickness005" (.13mm) compressed
Wave Height030"+.020/-.015 (.76+.51/-.38mm)

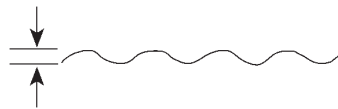
Length increase when flattened 0.008" (.20mm) per inch



Waved Metal Grounding/Shielding Gasket (shown in free state)



Wave Height

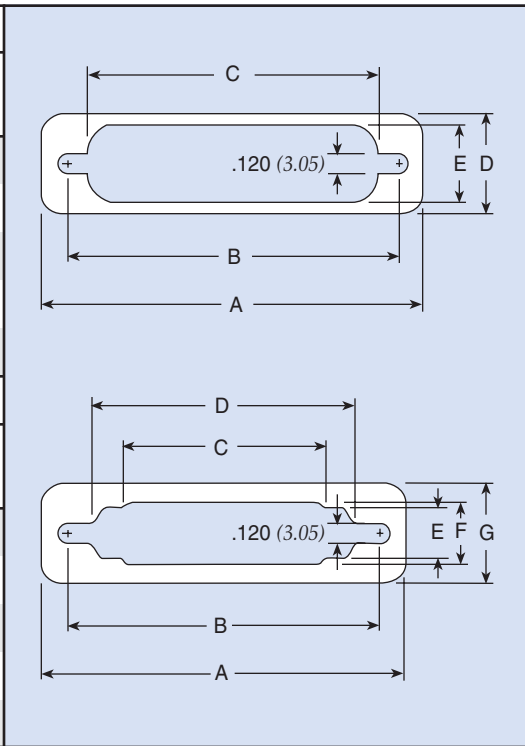


Filtered Connectors

Ordering Information *Select part number by filling in "xxx": 572019-00xxx-70*

Mounting: Front mounted pin or socket connector, rear mounted pin connector.						
Shell Size	A ±.020 (0.51)	B ±.020 (0.51)	C ±.020 (0.51)	D ±.020 (0.51)	E ±.005 (0.13)	"xxx"
9	1.213 (30.81)	.984 (24.99)	.777 (19.74)	.600 (15.24)	.440 (11.18)	100
15	1.541 (39.14)	1.312 (33.32)	1.105 (28.07)	.600 (15.24)	.440 (11.18)	101
25	2.088 (53.04)	1.852 (47.04)	1.645 (41.78)	.600 (15.24)	.440 (11.18)	102
37	2.729 (69.32)	2.500 (63.50)	2.293 (58.24)	.600 (15.24)	.440 (11.18)	103
50	2.635 (66.93)	2.406 (61.11)	2.190 (55.63)	.710 (18.03)	.550 (13.97)	104

Mounting: Rear mounted socket connectors only.								
Shell Size	A ±.020 (0.51)	B ±.020 (0.51)	C ±.020 (0.51)	D ±.020 (0.51)	E ±.005 (0.13)	F ±.005 (0.13)	G ±.020 (0.51)	"xxx"
9	1.213 (30.81)	.984 (24.99)	.450 (11.43)	.660 (16.76)	.324 (8.23)	.360 (9.14)	.600 (15.24)	105
15	1.541 (39.14)	1.312 (33.32)	.670 (17.02)	.988 (25.10)	.324 (8.23)	.360 (9.14)	.600 (15.24)	106
25	2.088 (53.04)	1.852 (47.04)	1.110 (28.19)	1.528 (38.81)	.324 (8.23)	.360 (9.14)	.600 (15.24)	107
37	2.729 (69.32)	2.500 (63.50)	1.550 (39.37)	2.176 (55.27)	.324 (8.23)	.360 (9.14)	.600 (15.24)	108
50	2.635 (66.93)	2.406 (61.11)	1.550 (39.37)	2.082 (52.88)	.436 (11.07)	.470 (11.94)	.710 (18.03)	109



Dimensions in inches (mm)



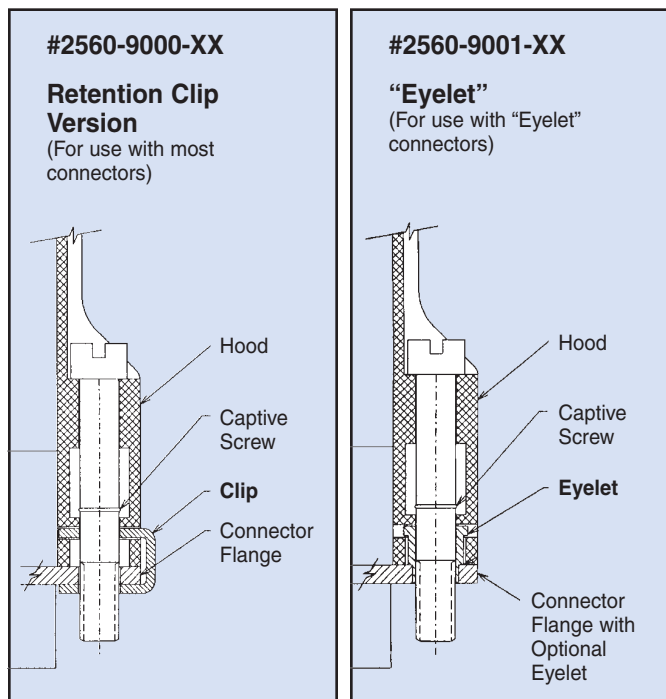
Hooded Strain Reliefs

Hooded strain reliefs are used whenever a connector is used on a cable assembly which will be exposed to users and subject to multiple disconnects. Hoods are designed to protect users from shock hazard by exposed solder joints, as well as provide a strain relief for the wires and protection against accidental short circuits.

Since most filter connectors are larger than standard connectors, there had been a problem fitting most commercially available hoods. Spectrum Control solves this problem. Our hoods are molded of thin wall plastic, providing extra internal space to accommodate larger filter connectors. The hood is constructed of extremely durable polycarbonate and meets the flammability requirements for UL94V-0.

In addition, hoods are ideal for use on applications which require the use of extra components such as resistors or varistors on the wires. The nonconductive hood conveniently houses the connector, components, and protects any joints.

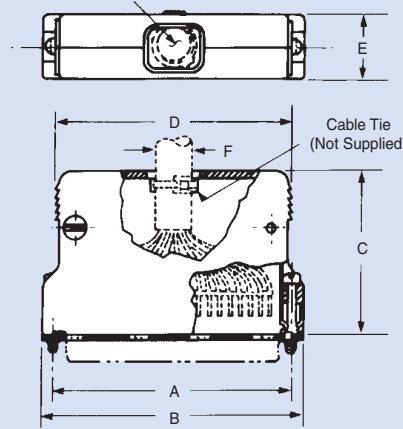
- **2560-9000-XX** is supplied with metal retention clips to hold the connector within the hood assembly. This item is recommended for use with Spectrum Filtered D-sub's, most other filtered D-sub's, and most standard D-sub's.
- **2560-9001-XX** is meant to be used with a connector which has a special eyelet on the mounting flange. This feature is available as an option on the Spectrum Filtered D-sub. Contact factory for additional information.



Ordering Information and Dimensions

Part Number	Connector Size	A ±.005	B Max	C Max	D Max	E Max	F Max
2560-9000-01 2560-9001-01	9	0.984 (24.99)	1.228 (31.19)	1.710 (43.43)	0.985 (25.02)	.685 (17.40)	.240 (6.07)
2560-9000-02 2560-9001-02	15	1.312 (33.33)	1.556 (39.52)	1.710 (43.43)	1.310 (26.71)	.685 (17.40)	.300 (7.62)
2560-9000-03 2560-9001-03	25	1.852 (47.04)	2.103 (53.42)	1.710 (43.43)	1.850 (46.99)	.685 (17.40)	.400 (10.16)
2560-9000-04 2560-9001-04	37	2.500 (63.50)	2.744 (69.70)	1.710 (43.43)	2.500 (63.50)	.685 (17.40)	.400 (10.16)

Dimensions in inches (mm)



Filtered Connectors



Custom Engineered Solutions

Despite the breadth of our filtered connector product line, there exist certain applications which demand a custom EMC solution. Our engineering staff will work with your design team to provide a custom filtered connector which meets your individual requirements. Examples of custom projects are shown below.

Special Mounting Flanges

- Housings can be designed to be integrated into the customer's equipment. The housings are constructed of machined materials, or precision diecast zinc.

Value-added Assemblies

- Spectrum's capabilities extend beyond just supplying filter connectors. Additional operations such as sourcing and assembling flexible circuits, adding flying leads, or making connector to connector assemblies, all can be provided in conjunction with the filter connector.

Custom Filter Arrangements

- Complex filters involving unbalanced Pi types, LC types with large inductive components, special pin-in to pin-out translations, and overvoltage protective devices such as diodes and varistors can be packaged within the connector.

Other Connector Formats

- Manufacturer specific connectors also can be filtered. Our involvement ranges from complete design to implementing minor modifications to include the addition of the filter components. Medical equipment and hand-held devices are examples of excellent applications for these connectors.

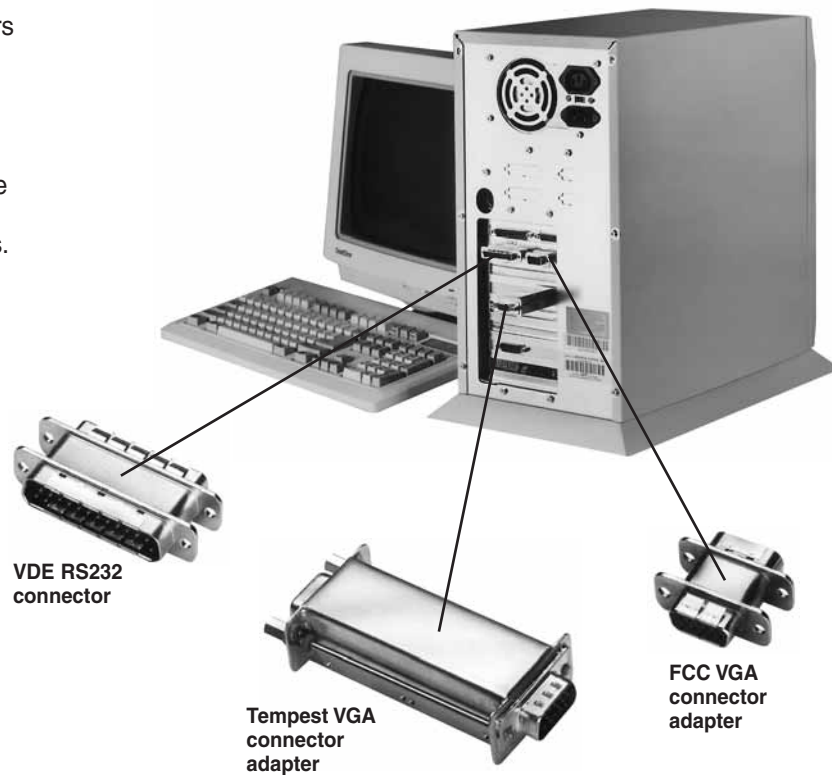


Special Mounting Flanges & Value-added



Custom Filter Arrangements & Connectors

Filtered Connectors



VDE RS232 connector

Tempest VGA connector adapter

FCC VGA connector adapter



Filtered Connector Performance Specifications

The filtered D-subminiature connectors shown in this catalog have been designed and tested to the following test plan.

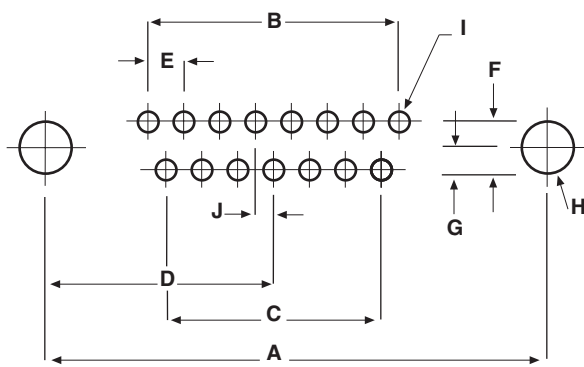
The information shown can be used as a basis for your filtered connector specifications. (Contact Spectrum Control for additional details.)

Test Group	Order of Test	Examination of Test	Test Method	Post Test Requirements
I	1	Visual and Mechanical Examination		In accordance with applicable requirements.
	2	Materials, Designs Construction and Workmanship		
	3	Physical Dimensions and Marking		
	4	Capacitance	MIL-STD-202 Method 305 1 KHz, 1VRMS max. 25°C	Within specified tolerance.
	5	Dielectric Withstanding Voltage	MIL-STD-202 Method 301	No breakdown or damage.
	6	Insulation Resistance	MIL-STD-202 Method 302, test condition at rated voltage	5000 megohm minimum.
	7	Insertion Loss	MIL-STD-220 No load	In accordance with applicable requirements.
II	1	Contact Engagement and Separation	MIL-C-24308, Para. 3.5.10	Maximum engagement force 18.0 oz., minimum separation force 0.7 oz.
	2	Mating and Unmating Force	MIL-C-24308, Para. 3.5.4	MIL-C-24308, Para. 3.5.4 Table II Limits: Shell size 1-5, class G only.
	3	Durability	MIL-C-24308, Para. 3.5.16, 4.7.18, except 100 cycles	MIL-C-24308, Para. 3.5.9 Contact resistance at 1 amp. 20 milliohms max.
	4	Thermal Shock	MIL-STD-202 Method 107, Test condition B, -55°C to +125°C	No evidence of damage. Insulation resistance not less than 2500 megohms.
	5	Solderability	MIL-STD-202; Method 208, RMA-Flux	Terminals shall meet solderability requirements.
	6	Moisture Resistance	MIL-STD-202 Method 106, less step seven	Insulation resistance not less than 500 megohms. Meet dielectric withstanding voltage requirements.
	7	Resistance to Soldering Heat	MIL-STD-202 Method 210, Test condition D	Insulation resistance not less than 500 megohms. Meet dielectric withstanding voltage requirements.
III	1	Vibration	MIL-STD-202 Method 204, Test condition D, 100 mA, current	No interruption of current flow longer than 1 microsecond. Insulation resistance greater than 5000 megohms.
	2	Shock	MIL-STD-202 Method 213. Test Condition G, 100 mA, current	No interruptions of current flow longer than 1 microsecond.
				Contact resistance at 1 amp. 15 milliohms max.
				Capacitance within specified limits.
3	Mounting Inserts a. Prevailing torque (locking) b. Installation torque (locking) c. Push-out Force	IFI-100	a. 3 inch-pounds max. b. 6 inch-pounds without damage c. 10 pounds axial force without loosening insert	
IV	1	Life	MIL-STD-202 Method 108, Test condition D, within 125% of rated voltage at the maximum operating temperature.	Filter shall meet all initial requirements except insulation resistance shall not be less than 500 megohms.

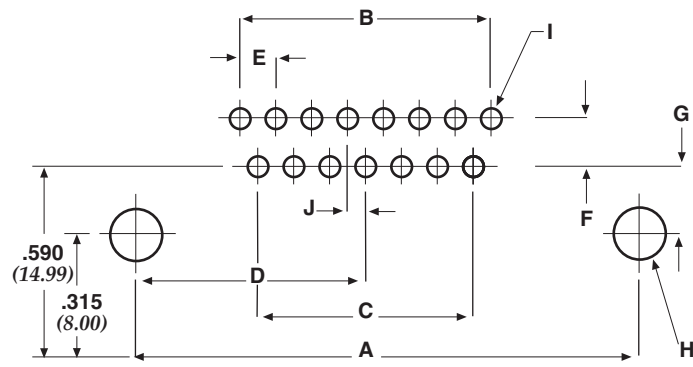
Filtered Connectors



Board & Panel Cutouts



Printed Circuit
Vertical Board Mount (standard density)



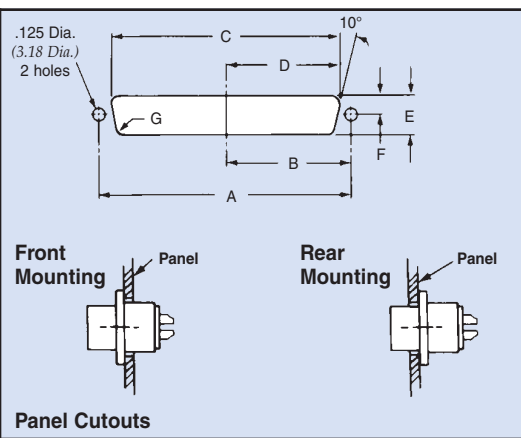
Printed Circuit
Right Angle Mount (standard density)

Board Layout (Pin and Socket Contact) for Standard D-Sub Connectors

Shell Size	A	B	C	D	E	F	G	H	I (Dia.)	J
9 (0)	.984 (25.00)	.436 = 4 x .109 (11.07) (2.77)	.327 = 3 x .109 (8.31) (2.77)	.492 (12.50)			PCB Mount .056 (1.42)			
15 (1)	1.312 (33.32)	.763 = 7 x .109 (19.38) (2.77)	.654 = 6 x .109 (16.61) (2.77)	.656 (16.66)			PCB Mount Rt Angle .275 (6.99)	.125 (3.18)	.045 (1.14)	.054 (1.37)
25 (2)	1.852 (47.04)	1.308 = 12 x .109 (33.22) (2.77)	1.199 = 11 x .109 (30.45) (2.77)	.926 (23.52)	.109 (2.77)	.112 (2.84)	0.112 2 rows			
37 (3)	2.500 (63.50)	1.962 = 18 x .109 (49.83) (2.77)	1.853 = 17 x .109 (47.07) (2.77)	1.250 (31.75)			0.00 1 row			
50 (4)	2.406 (61.11)	1.744 = 16 x .109 (44.30) (2.77) 2 rows	1.635 = 15 x .109 (41.35) (2.77) 1 row	1.203 (30.56)						

Panel Cutouts (Front or Rear Mounting) for Standard and Hi-Density D-Sub Connectors

Shell Size	A ±.015 (.38)	B ±.015 (.38)	C ±.015 (.38)	D ±.015 (.38)	E ±.003 (.08)	F ±.005 (.13)	G ±.002 (.05)
9 (0)	.984 (24.99)	.492 (12.49)	.777 (19.74)	.388 (9.87)	.440 (11.18)	.220 (5.59)	.150 (3.81)
15 (1)	1.312 (33.32)	.656 (16.66)	1.105 (28.07)	.552 (14.03)	.440 (11.18)	.220 (5.59)	.150 (3.81)
25 (2)	1.852 (47.04)	.926 (23.52)	1.645 (41.78)	.822 (20.89)	.440 (11.18)	.220 (5.59)	.150 (3.81)
37 (3)	2.500 (63.50)	1.250 (31.75)	2.293 (58.24)	1.146 (29.12)	.440 (11.18)	.220 (5.59)	.150 (3.81)
50 (4)	2.406 (61.11)	1.203 (30.55)	2.190 (55.63)	1.095 (27.81)	.550 (13.97)	.275 (6.98)	.150 (3.81)

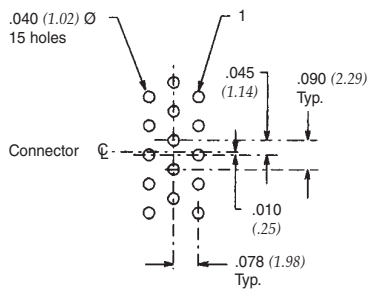


Dimensions in inches (mm)

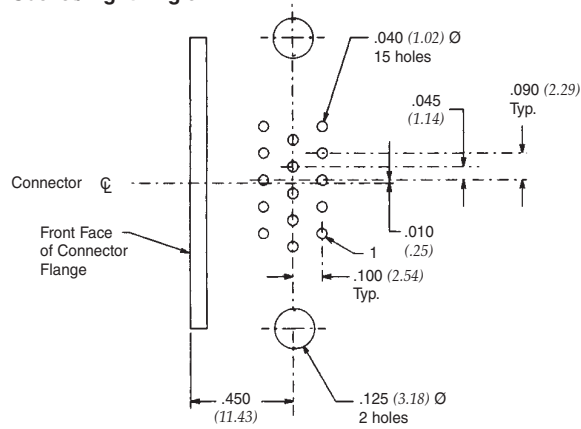


Board & Panel Cutouts

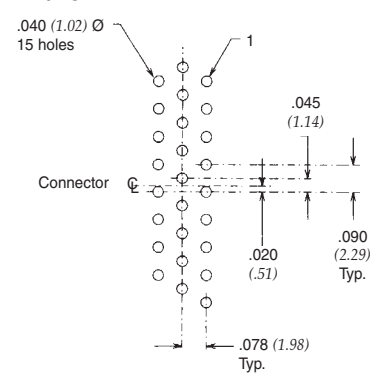
15 Hi-Density Pin/PCB



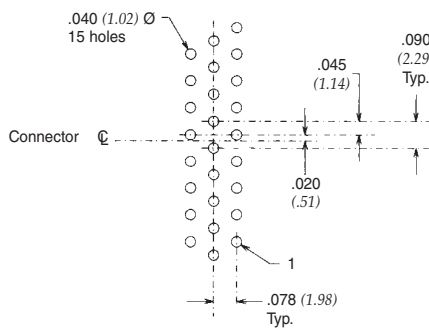
15 Hi-Density Socket/Right Angle



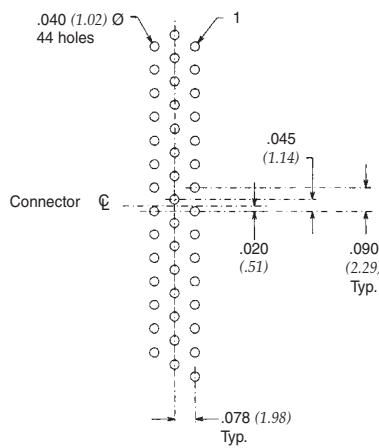
26 Hi-Density Pin/PCB



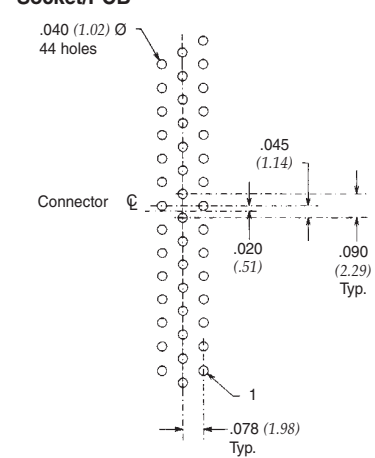
26 Hi-Density Socket/PCB



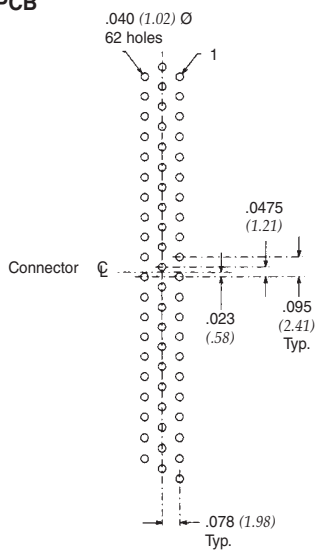
44 Hi-Density Pin/PCB



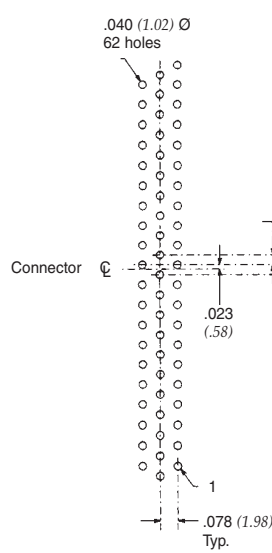
44 Hi-Density Socket/PCB



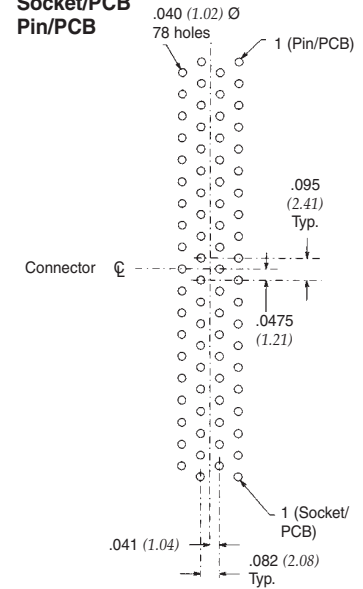
62 Hi-Density Pin/PCB



62 Hi-Density Socket/PCB



78 Hi-Density Socket/PCB Pin/PCB



Dimensions in inches (mm)

Filtered Connectors



Custom Filtered Connectors MIL and High Reliability

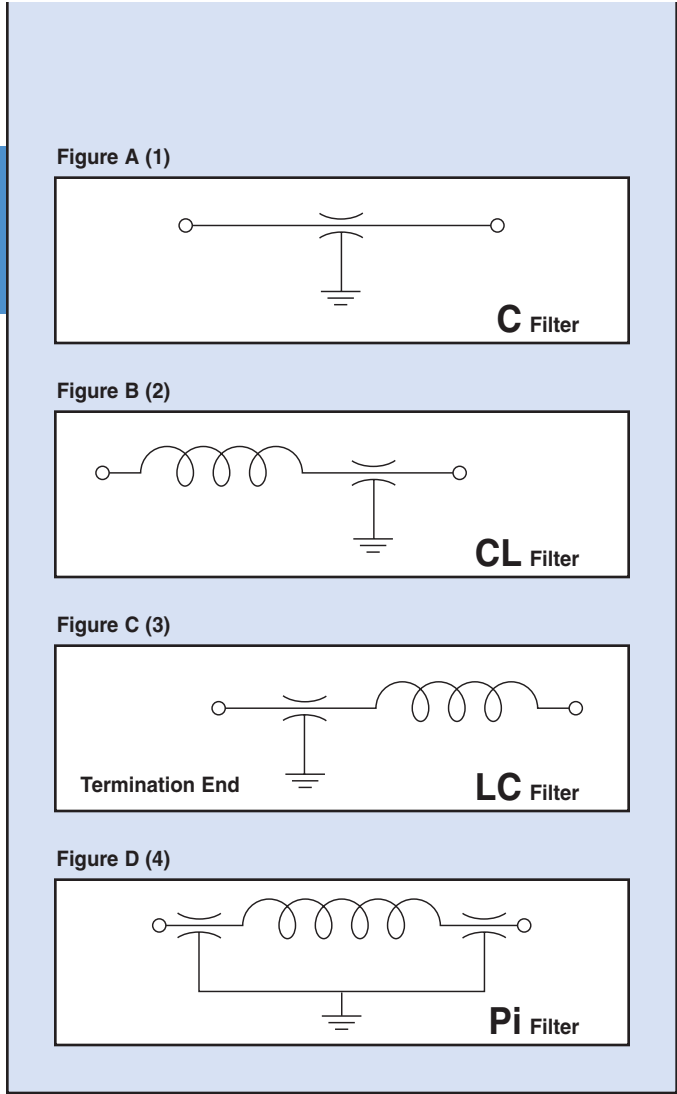
Spectrum Control offers a premium line of custom and specialty filtered connectors. These custom high reliability, circular, rack and panel and ARINC connectors have a reputation for superior quality and performance. Several types of filtering are available (See figure at right).

EMI Filter Performance

The performance indicated in this table are examples for design guidelines. Insertion values are per MIL-STD-220 (No Load).

Resistance

Insulation Resistance 5 Gigohm min.
D.C. Resistance 30 Milliohm max.



Electrical Characteristics

Filtered Connectors

Capacitance (pF, GMV)	Working Voltage		DWV (VOC)	Minimum Insertion Loss (dB)																	
	DC 85°C	AC 85°C		Figure A					Figure B & C					Figure D							
				Cut-Off Freq. (MHz)	1 MHz	10 MHz	100 MHz	500 MHz	1000 MHz	Cut-Off Freq. (MHz)	1 MHz	10 MHz	100 MHz	500 MHz	1000 MHz	Cut-Off Freq. (MHz)	1 MHz	10 MHz	100 MHz	500 MHz	1000 MHz
1,000	200	115	500	5	—	4	21	34	39	5	—	5	23	36	42	5	—	4	28	54	65
2,000	200	115	500	1	—	9	26	39	44	1	—	10	29	42	47	1	—	8	39	65	70
3,000	200	115	500	1	—	12	30	43	48	1	—	13	36	45	51	1	—	11	47	70	70
5,000	200	115	500	1	1	16	34	46	52	1	1	17	37	49	54	1	1	14	54	70	70
7,000	200	115	500	1	3	19	37	49	55	1	3	20	39	52	57	1	3	18	60	70	70
10,000	200	115	500	1	4	21	39	52	57	1	4	22	41	54	60	1	4	22	64	70	70
20,000	100	—	250	.50	9	26	44	57	62	.50	9	28	47	60	65	.50	9	33	70	70	70

Consult Spectrum Control for availability of alternative capacitance values.



Compact Shell Filtered Connectors

MIL-C-38999 Filtered Connector, Compact Shell

This design is for the MIL-C-38999 connector series I, II, and III. The shell is constructed out of a single piece of metal and contains planar capacitors. **The dimensions are the same as the unfiltered MIL qualified connector.**

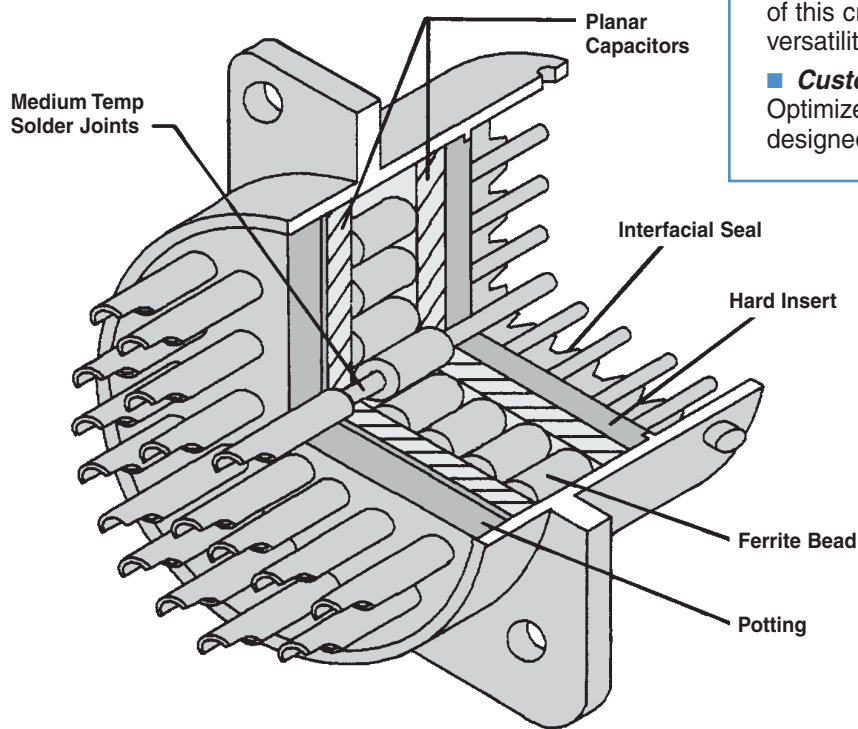
The compact shell filtered connectors offer designers an effective filtering device that reduces the amount of real estate required within a product enclosure. These connectors are available with mixed capacitance filtered lines within the connector as well as insulated and/or grounded lines. Some capacitance levels may not be available in all connector sizes. Please consult factory for specific applications.

Compact shell filtered connectors provide a simple and space-efficient solution to a complex EMI problem. More detailed information on compact shell connectors is located on pages 206-211.



Advantages of Spectrum's Compact Shell Design

- **Easy retrofit or upgrade**
Our compact shell connector is the only MIL filtered connector which is the same size as an unfiltered connector . . . allowing for easy retrofit or upgrade without concerns for space availability.
- **Weight and space savings**
Smaller physical size is ideal for many applications, especially airborne.
- **Reduced cost and lead times**
Standardized design for most contact arrangements minimizes tooling required (often none) . . . reducing procurement costs and facilitating small order quantities or prototypes.
- **Design flexibility and quality assurance**
We are vertically integrated for ceramic filter capacitors, enabling us to offer a broad selection of this critical component and ensuring design versatility and manufacturing control.
- **Custom designs**
Optimize your system performance with a custom designed filtered connector.



For extended shell tubular design, see page 212.



MIL-C-38999, Compact Shell

Ordering Information

The many benefits of using Spectrum's compact shell design are detailed on page 199. Review the benefits and specifications provided to determine if these space saving connectors will fulfill your requirements.

Available connector styles and shell sizes for this MIL series are shown on the following pages. Refer to these pages and the information below to develop your connector part number.

Materials and Finishes

Shell As noted in Ordering Information
 Contacts Copper Alloy, Gold Plate per MIL-G-45204
 Seals Elastomer, Silicone
 Insulator High Grade Plastic

(For electrical specifications, see page 204.)

<p>9</p> <p>Filtered Connector MIL Indicator 9-MIL-C-38999 Compact Shell</p> <p>Series Indicator A-Series I B-Series II C-Series III</p> <p>Shell Style 1- Wall Mount Receptacle (Front Panel Mounting) 2- Box Mount Receptacle Series I&II (Front Panel Mounting) 3- Jam Nut Receptacle 4- Wall Mount Receptacle Series I&II (Back Panel Mounting) 5- Box Mount Receptacle Series I&II (Back Panel Mounting)</p>	<p>A</p> <p>Finish B- Aluminum Olive Drab Cadmium E- Stainless Steel Passivated F- Aluminum, Electroless Nickel</p> <p>Shell Size Series I&III 9, 11, 13, 15, 17, 19, 21, 23, & 25 Series II 8, 10, 12, 14, 16, 18, 20, 22, & 24</p>	<p>2</p> <p>11</p> <p>35</p> <p>Contact Arrangement See Below (last two digits of each number)</p> <p>Contact/Termination Type P- Pin/PC Tail S- Pin/Solder Cup B- Socket/PC Tail N- Socket/Crimp Removable</p>	<p>S</p> <p>Alternate Shell Position N- (Normal) A, B, C, D E- Series III only</p> <p>Filter Schematic 1- "C" Feed-thru 2- "CL" 3- "LC" 4- "PI"</p>	<p>4</p> <p>102</p> <p>M</p> <p>Capacitance Tolerance M = ± 20% P = -0% +100% (GMV)</p> <p>Filter Capacitance Specify by using EIA codes. Two significant digits plus number of zeros. 102 = 1000pF 401 = 400pF</p>
---	---	--	--	--

Custom Part Ordering Note:
For Filtered Connectors with custom requirements, such as mixed capacitance, insulated lines, ground lines or an unlisted contact arrangement, consult factory for specific part numbers.

Contact Arrangements (First two digits shell size, second two contact arrangement)

Filtered Connectors

<p>#22 Contacts – 5 Amps</p> <p>2535 128 #22 2335 100 #22 1935 66 #22 1735 55 #22 1535 37 #22 1335 22 #22 1135 13 #22</p>	<p>#16 Contacts – 13 Amps</p> <p>2321 21 #16</p>
<p>#20 Contacts – 7.5 Amps</p> <p>2561 61 #20 2355 55 #20 2353 53 #20 1726 26 #20 1518 18 #20 1398 10 #20</p>	<p>Standard Termination available in all Filtered Connectors</p>

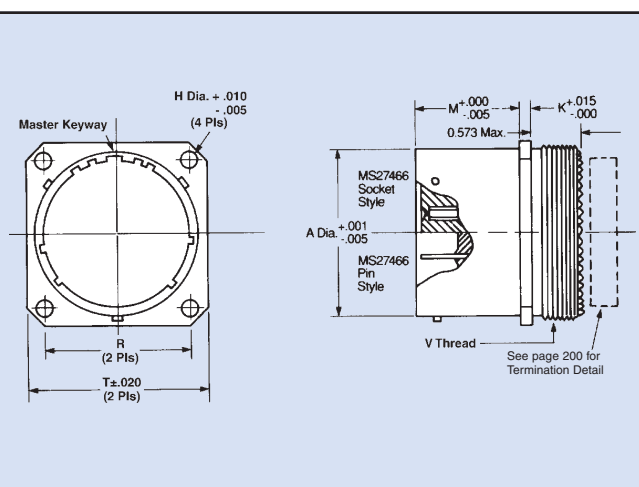


MIL-C-38999, Compact Shell Series I



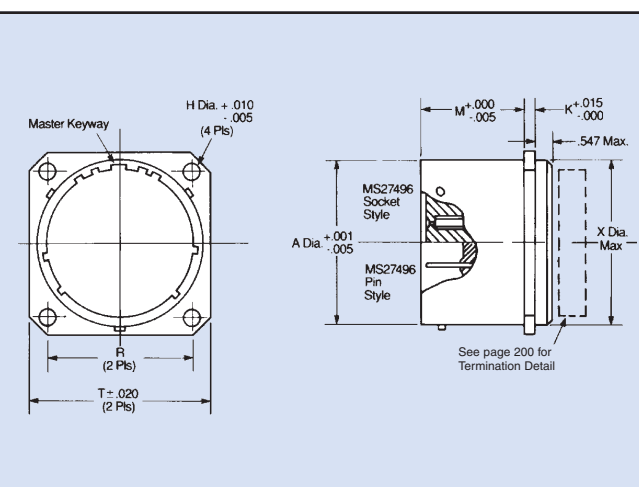
MS27466 Wall Mount, Front Panel Mounting

Shell Size	A Dia.	M	H Dia.	K	R	T	V Thread UNEF-2A
9	.572 (14.55)	.632 (16.07)	.128 (3.26)	.085 (2.16)	.719 (18.28)	.938 (23.85)	.4375-18
11	.700 (17.80)	.632 (16.07)	.128 (3.26)	.085 (2.16)	.812 (20.65)	1.031 (26.22)	.5625-24
13	.850 (21.62)	.632 (16.07)	.128 (3.26)	.085 (2.16)	.906 (23.04)	1.125 (28.61)	.6875-24
15	.975 (24.79)	.632 (16.07)	.128 (3.26)	.085 (2.16)	.969 (24.64)	1.219 (31.00)	.8125-20
17	1.100 (27.97)	.632 (16.07)	.128 (3.26)	.085 (2.16)	1.062 (27.01)	1.312 (33.36)	.9375-20
19	1.207 (30.69)	.632 (16.07)	.128 (3.26)	.085 (2.16)	1.156 (29.40)	1.438 (36.51)	1.0625-18
21	1.332 (33.87)	.602 (15.31)	.128 (3.26)	.115 (2.92)	1.250 (31.79)	1.562 (39.72)	1.1875-18
23	1.475 (37.47)	.602 (15.31)	.147 (3.74)	.115 (2.92)	1.375 (34.97)	1.688 (42.93)	1.3125-18
25	1.582 (40.23)	.602 (15.31)	.147 (3.74)	.115 (2.92)	1.500 (38.15)	1.812 (46.08)	1.4375-18



MS27496 Box Mount, Front Panel Mounting

Shell Size	A Dia	M	K	X Dia.	H Dia.	R	T
9	.572 (14.55)	.632 (16.07)	.085 (2.16)	.469 (11.93)	.128 (3.26)	.719 (18.28)	.938 (23.85)
11	.700 (17.80)	.632 (16.07)	.085 (2.16)	.594 (15.11)	.128 (3.26)	.812 (20.65)	1.031 (26.22)
13	.850 (21.62)	.632 (16.07)	.085 (2.16)	.719 (18.28)	.128 (3.26)	.906 (23.04)	1.125 (28.61)
15	.975 (24.79)	.632 (16.07)	.085 (2.16)	.844 (21.46)	.128 (3.26)	.969 (24.64)	1.219 (31.00)
17	1.100 (27.97)	.632 (16.07)	.085 (2.16)	.969 (24.64)	.128 (3.26)	1.062 (27.01)	1.312 (33.36)
19	1.207 (30.69)	.632 (16.07)	.085 (2.16)	1.078 (27.41)	.128 (3.26)	1.156 (29.40)	1.438 (36.57)
21	1.332 (33.87)	.602 (15.31)	.115 (2.92)	1.203 (30.59)	.128 (3.26)	1.250 (31.79)	1.562 (39.72)
23	1.457 (37.00)	.602 (15.31)	.115 (2.92)	1.328 (33.77)	.147 (3.74)	1.375 (34.97)	1.688 (42.93)
25	1.582 (40.23)	.602 (15.31)	.115 (2.92)	1.453 (36.95)	.147 (3.74)	1.500 (38.15)	1.812 (46.08)



Dimensions in inches (mm)

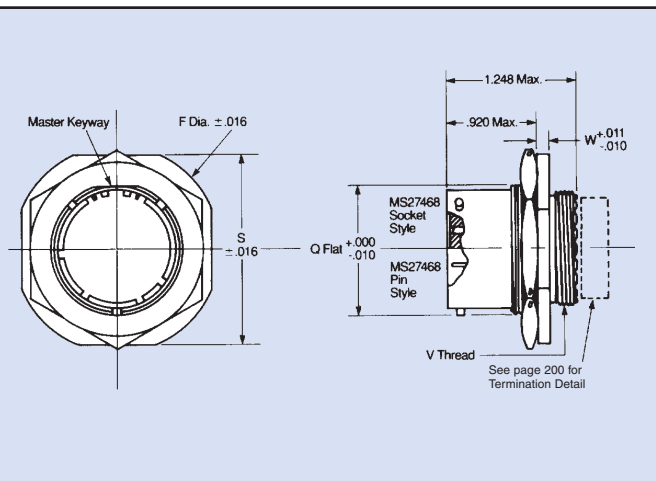
Filtered Connectors



MIL-C-38999, Compact Shell Series I

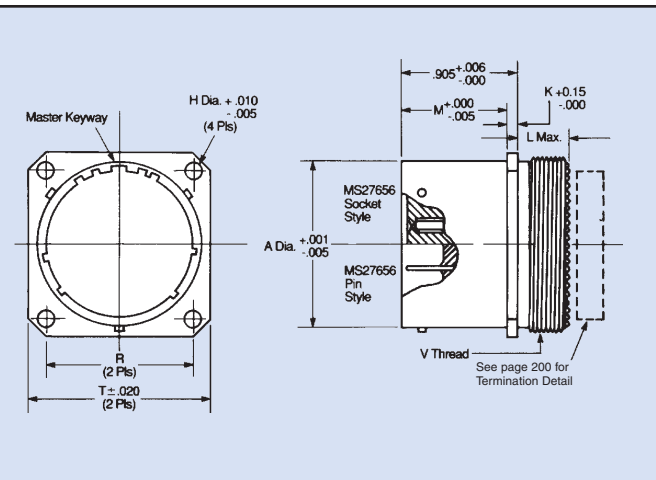
MS27468 Jam Nut

Shell Size	V Thread UNEF-2A	F Dia.	S	Q Dia.	W
9	.4375-28 (30.21)	1.188 (30.21)	1.062 (27.01)	.655 (16.66)	.109 (2.77)
11	.5625-24 (38.15)	1.375 (34.97)	1.250 (31.79)	.755 (19.20)	.109 (2.77)
13	.6875-24 (41.32)	1.500 (38.15)	1.375 (34.97)	.942 (23.96)	.109 (2.77)
15	.8125-20 (44.50)	1.625 (41.32)	1.500 (38.15)	1.066 (27.11)	.109 (2.77)
17	.9375-20 (49.28)	1.750 (44.50)	1.625 (41.32)	1.191 (30.29)	.109 (2.77)
19	1.0625-18 (52.44)	1.938 (49.28)	1.812 (46.08)	1.316 (33.47)	.140 (3.56)
21	1.1875-18 (55.64)	2.062 (52.44)	1.938 (49.28)	1.441 (36.64)	.140 (3.56)
23	1.3125-18 (58.79)	2.188 (55.64)	2.062 (52.44)	1.566 (39.82)	.140 (3.56)
25	1.4375-18 (62.00)	2.312 (58.79)	2.188 (55.64)	1.691 (43.00)	.140 (3.56)



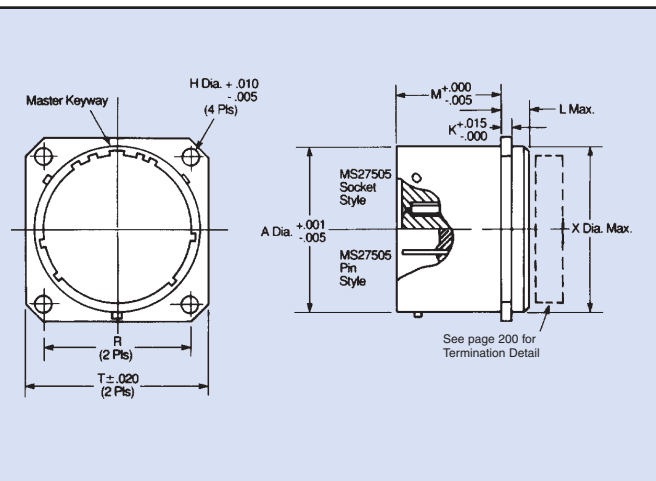
MS27656 Wall Mount, Back Panel Mounting

Shell Size	A Dia.	M	K	L	H Dia.	R	T	V Thread UNEF-2A
9	.572 (14.55)	.820 (20.85)	.085 (2.16)	.469 (11.93)	.128 (3.25)	.719 (18.25)	.938 (23.85)	.4375-28
11	.700 (17.80)	.820 (20.85)	.085 (2.16)	.469 (11.93)	.128 (3.25)	.812 (20.65)	1.031 (26.22)	.5625-24
13	.850 (21.62)	.820 (20.85)	.085 (2.16)	.469 (11.93)	.128 (3.25)	.906 (23.04)	1.125 (28.61)	.6875-24
15	.975 (24.79)	.820 (20.85)	.085 (2.16)	.469 (11.93)	.128 (3.25)	.969 (24.64)	1.219 (31.00)	.8125-20
17	1.100 (27.97)	.820 (20.85)	.085 (2.16)	.469 (11.93)	.128 (3.25)	1.062 (27.01)	1.312 (33.36)	.9375-20
19	1.207 (30.69)	.820 (20.85)	.085 (2.16)	.469 (11.93)	.128 (3.25)	1.156 (29.40)	1.438 (36.57)	1.0625-18
21	1.332 (33.87)	.790 (20.09)	.115 (2.92)	.500 (12.72)	.128 (3.25)	1.250 (31.79)	1.562 (39.72)	1.1875-18
23	1.457 (37.05)	.790 (20.09)	.115 (2.92)	.500 (12.72)	.147 (3.74)	1.375 (34.97)	1.688 (42.93)	1.3125-18
25	1.582 (40.23)	.790 (20.09)	.115 (2.92)	.500 (12.72)	.147 (3.74)	1.500 (38.15)	1.812 (46.08)	1.4375-18



MS27505 Box Mount, Back Panel Mounting

Shell Size	A Dia.	M	K	L	X Dia.	H Dia.	R	T
9	.572 (14.55)	.820 (20.85)	.085 (2.16)	.469 (11.93)	.547 (13.91)	.128 (3.25)	.719 (18.28)	.938 (23.85)
11	.700 (17.80)	.820 (20.85)	.085 (2.16)	.469 (11.93)	.656 (16.68)	.128 (3.25)	.812 (20.65)	1.031 (26.22)
13	.850 (21.62)	.820 (20.85)	.085 (2.16)	.469 (11.93)	.828 (21.06)	.128 (3.25)	.906 (23.04)	1.125 (28.61)
15	.975 (24.79)	.820 (20.85)	.085 (2.16)	.469 (11.93)	.953 (24.23)	.128 (3.25)	.969 (24.64)	1.219 (31.00)
17	1.100 (27.97)	.820 (20.85)	.085 (2.16)	.469 (11.93)	1.078 (27.41)	.128 (3.25)	1.062 (27.01)	1.312 (33.36)
19	1.207 (30.69)	.820 (20.85)	.085 (2.16)	.469 (11.93)	1.203 (30.59)	.128 (3.25)	1.156 (29.40)	1.438 (36.57)
21	1.332 (33.87)	.790 (20.09)	.115 (2.92)	.500 (12.72)	1.328 (33.77)	.128 (3.25)	1.250 (31.79)	1.562 (39.72)
23	1.457 (37.05)	.790 (20.09)	.115 (2.92)	.500 (12.72)	1.453 (36.95)	.147 (3.74)	1.375 (34.97)	1.688 (42.93)
25	1.582 (40.23)	.790 (20.09)	.115 (2.92)	.500 (12.72)	1.578 (40.13)	.147 (3.74)	1.500 (38.15)	1.812 (46.08)



Filtered Connectors

Dimensions in inches (mm)

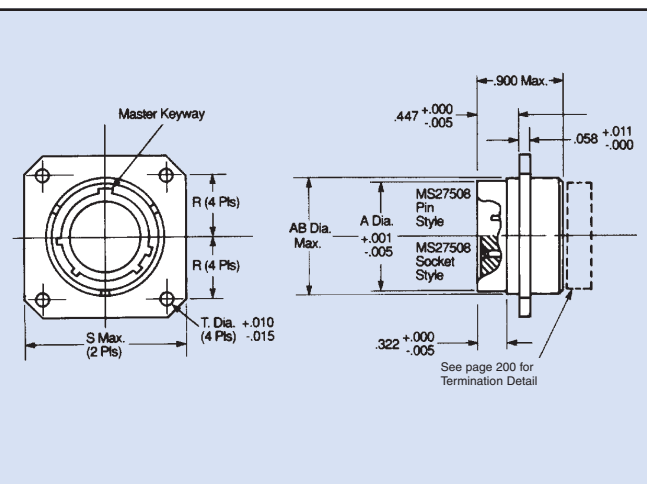


MIL-C-38999, Compact Shell Series II



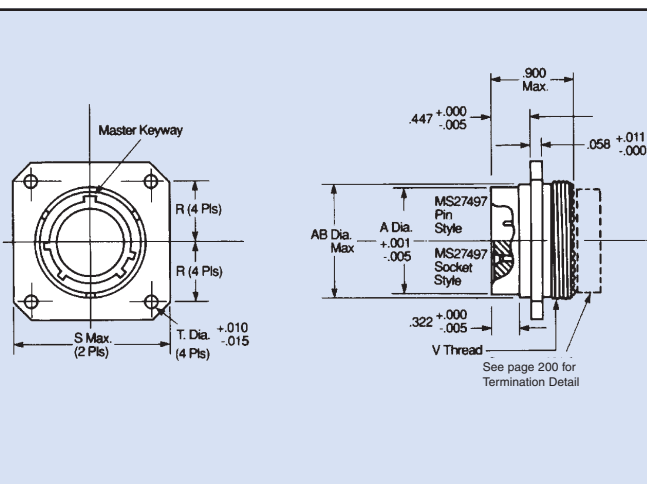
MS27508 Box Mount, Back Panel Mounting

Shell Size	A Dia.	AB Dia.	R BSC	T Dia.	S
8	.473 (12.03)	.547 (13.91)	.297 (7.55)	.120 (3.05)	.828 (21.06)
10	.590 (15.00)	.672 (17.09)	.3595 (9.14)	.120 (3.05)	.954 (24.26)
12	.750 (19.07)	.844 (21.46)	.406 (10.32)	.120 (3.05)	1.047 (26.63)
14	.875 (22.25)	.969 (24.64)	.453 (11.52)	.120 (3.05)	1.141 (29.02)
16	1.000 (25.43)	1.094 (27.82)	.4845 (12.32)	.120 (3.05)	1.234 (31.38)
18	1.125 (28.61)	1.219 (31.00)	.531 (13.50)	.120 (3.05)	1.328 (33.77)
20	1.250 (31.79)	1.344 (34.18)	.578 (14.70)	.120 (3.05)	1.453 (36.95)
22	1.375 (34.97)	1.469 (37.36)	.625 (15.89)	.120 (3.05)	1.578 (40.13)
24	1.500 (38.15)	1.594 (40.54)	.6875 (17.48)	.147 (3.74)	1.703 (43.31)



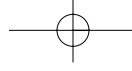
MS27497 Wall Mount, Back Panel Mounting

Shell Size	A Dia.	AB Dia.	R BSC	T Dia.	S	V Thread UNEF-2A
8	.473 (12.03)	.547 (13.91)	.297 (7.55)	.120 (3.05)	.828 (21.06)	.4375-28
10	.590 (15.00)	.672 (17.09)	.3595 (9.14)	.120 (3.05)	.954 (24.26)	.5625-24
12	.750 (19.07)	.844 (21.46)	.406 (10.32)	.120 (3.05)	1.047 (26.63)	.6875-24
14	.875 (22.25)	.969 (24.64)	.453 (11.52)	.120 (3.05)	1.141 (29.02)	.8125-20
16	1.000 (25.43)	1.094 (27.82)	.4845 (12.32)	.120 (3.05)	1.234 (31.38)	.9375-20
18	1.125 (28.61)	1.219 (31.00)	.531 (13.50)	.120 (3.05)	1.328 (33.77)	1.0625-18
20	1.250 (31.79)	1.344 (34.18)	.578 (14.70)	.120 (3.05)	1.453 (36.95)	1.1875-18
22	1.375 (34.97)	1.469 (37.36)	.625 (15.89)	.120 (3.05)	1.578 (40.13)	1.3125-18
24	1.500 (38.15)	1.594 (40.54)	.6875 (17.48)	.147 (3.74)	1.703 (43.31)	1.4375-18



Dimensions in inches (mm)

Filtered Connectors



MIL-C-38999, Compact Shell Series II

MS27472 Wall Mount, Front Panel Mounting

Shell Size	A Dia.	R BSC	T Dia.	S	V Thread UNEF-2A
8	.473 (12.03)	.297 (7.55)	.120 (3.05)	.828 (21.06)	.4375-28
10	.590 (15.00)	.3595 (9.14)	.120 (3.05)	.954 (24.26)	.5625-24
12	.750 (19.07)	.406 (10.32)	.120 (3.05)	1.047 (26.63)	.6875-24
14	.875 (22.25)	.453 (11.52)	.120 (3.05)	1.141 (29.02)	.8125-20
16	1.000 (25.43)	.4845 (12.32)	.120 (3.05)	1.234 (31.38)	.9375-20
18	1.125 (28.61)	.531 (13.50)	.120 (3.05)	1.328 (33.77)	1.0625-18
20	1.250 (31.79)	.578 (14.70)	.120 (3.05)	1.453 (36.95)	1.3125-18
22	1.375 (34.97)	.625 (15.98)	.120 (3.05)	1.578 (40.13)	1.3125-18
24	1.500 (38.15)	.6875 (17.48)	.147 (3.74)	1.703 (43.31)	1.4375-18

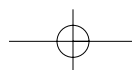
MS27499 Box Mount, Front Panel Mounting

Shell Size	A Dia.	R BSC	T Dia.	S
8	.473 (12.03)	.297 (7.55)	.120 (3.05)	.828 (21.06)
10	.590 (15.00)	.3595 (9.14)	.120 (3.05)	.954 (24.26)
12	.750 (19.07)	.406 (10.32)	.120 (3.05)	1.047 (26.63)
14	.875 (22.25)	.453 (11.52)	.120 (3.05)	1.141 (29.02)
16	1.000 (25.43)	.4845 (12.32)	.120 (3.05)	1.234 (31.38)
18	1.125 (28.61)	.531 (13.50)	.120 (3.05)	1.328 (33.77)
20	1.250 (31.79)	.578 (14.70)	.120 (3.05)	1.453 (36.95)
22	1.375 (34.97)	.625 (15.89)	.120 (3.05)	1.578 (40.13)
24	1.500 (38.15)	.6875 (17.48)	.147 (3.74)	1.703 (43.31)

MS27474 Jam Nut

Shell Size	V Thread UNEF-2A Mod (Plated)	Major Dia. Mod	A Dia.	F	Q Dia.	S
8	.4375-28	.421- .417	.473 (12.03)	.438 (11.14)	1.375 (34.97)	1.250 (31.79)
10	.5625-24	.542- .538	.590 (15.00)	.438 (11.14)	1.500 (38.15)	1.375 (34.97)
12	.6875-24	.667- .663	.750 (19.07)	.438 (11.14)	1.625 (41.35)	1.500 (38.15)
14	.8125-20	.791- .787	.875 (22.25)	.438 (11.14)	1.750 (44.50)	1.625 (41.35)
16	.9375-20	.916- .912	1.000 (25.43)	.438 (11.14)	1.938 (49.28)	1.781 (45.29)
18	1.0625-18	1.034-1.030	1.125 (28.61)	.438 (11.14)	2.016 (51.27)	1.890 (48.06)
20	1.1875-18	1.158-1.154	1.250 (31.79)	.464 (11.80)	2.141 (54.45)	2.016 (51.27)
22	1.3125-18	1.283-1.279	1.375 (34.97)	.464 (11.80)	2.265 (57.60)	2.140 (54.42)
24	1.4375-18	1.408-1.404	1.500 (38.15)	.464 (11.80)	2.390 (60.78)	2.265 (57.60)

Dimensions in inches (mm)



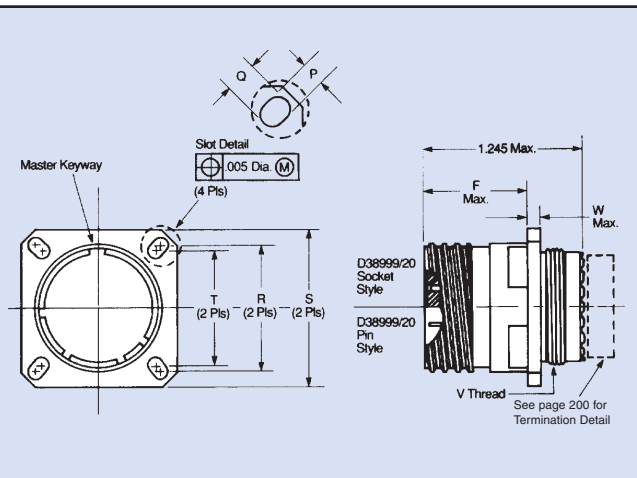


MIL-C-38999, Compact Shell Series III



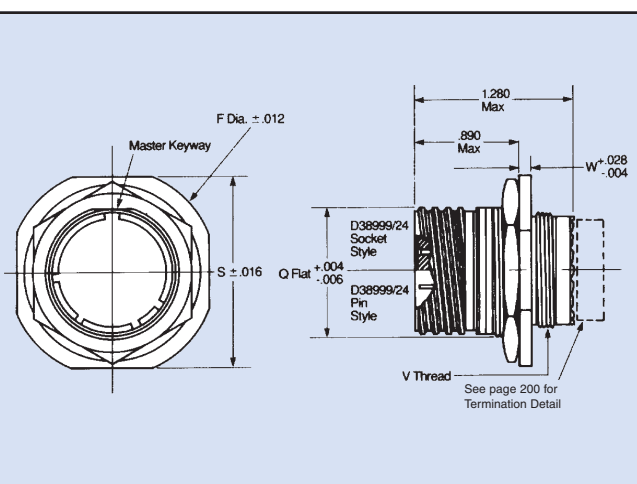
D38999/20 Wall Mount

Shell Size	V Thread	F	R	T	S	P	Q	W
9	M12 x 1.0-6g-0.100R	.823 (20.93)	.719 (18.28)	.594 (15.11)	.937 (23.83)	.128 (3.25)	.216 (5.49)	.098 (2.49)
11	M15 x 1.0-6g-0.100R	.823 (20.93)	.812 (20.15)	.719 (18.28)	1.031 (26.22)	.128 (3.25)	.194 (4.93)	.098 (2.49)
13	M18 x 1.0-6g-0.100R	.823 (20.93)	.906 (23.04)	.812 (20.65)	1.126 (28.63)	.128 (3.25)	.194 (4.93)	.098 (2.49)
15	M22 x 1.0-6g-0.100R	.823 (20.93)	.969 (24.64)	.906 (23.04)	1.220 (31.02)	.128 (3.25)	.173 (4.40)	.098 (2.49)
17	M25 x 1.0-6g-0.100R	.823 (20.93)	1.062 (27.01)	.969 (24.64)	1.311 (33.34)	.128 (3.25)	.194 (4.93)	.098 (2.49)
19	M28 x 1.0-6g-0.100R	.823 (20.93)	1.156 (29.40)	1.062 (27.01)	1.437 (36.54)	.128 (3.25)	.194 (4.93)	.098 (2.49)
21	M31 x 1.0-6g-0.100R	.791 (20.12)	1.250 (31.79)	1.156 (29.40)	1.563 (39.75)	.128 (3.25)	.194 (4.93)	.126 (3.20)
23	M34 x 1.0-6g-0.100R	.791 (20.12)	1.375 (34.97)	1.250 (31.79)	1.689 (42.95)	.154 (3.92)	.242 (6.15)	.126 (3.20)
25	M37 x 1.0-6g-0.100R	.791 (20.12)	1.500 (38.15)	1.375 (34.97)	1.811 (46.05)	.154 (3.92)	.242 (6.15)	.126 (3.20)



D38999/24 Jam Nut

Shell Size	V Thread	F Dia.	S	Q	W
9	M12 X 1.0-6g-0.100R	1.189 (30.24)	1.063 (27.03)	.651 (16.55)	.087 (2.21)
11	M15 X 1.0-6g-0.100R	1.375 (34.97)	1.252 (31.84)	.751 (19.10)	.087 (2.21)
13	M18 X 1.0-6g-0.100R	1.500 (38.15)	1.374 (34.94)	.938 (23.85)	.087 (2.21)
15	M22 X 1.0-6g-0.100R	1.626 (41.35)	1.500 (38.15)	1.062 (27.01)	.087 (2.21)
17	M25 X 1.0-6g-0.100R	1.752 (44.55)	1.626 (41.35)	1.187 (30.19)	.087 (2.21)
19	M28 X 1.0-6g-0.100R	1.937 (49.26)	1.811 (46.05)	1.312 (33.36)	.118 (3.00)
21	M31 X 1.0-6g-0.100R	2.063 (52.46)	1.937 (49.26)	1.437 (36.54)	.118 (3.00)
23	M34 X 1.0-6g-0.100R	2.189 (55.67)	2.063 (52.46)	1.562 (39.72)	.118 (3.00)
25	M37 X 1.0-6g-0.100R	2.311 (58.77)	2.189 (55.67)	1.687 (42.90)	.118 (3.00)



Dimensions in inches (mm)

Filtered Connectors



Extended Shell Filtered Connectors

This extended shell design is used in all MIL series connectors including 38999, 24308, 83723, and 26482. This connector is constructed by adding filters to the rear of a standard connector. The method of filtering can be either planars or tubular capacitors.

Extended shell connectors are ideal where quick turnaround is required for prototype devices. The range of filtering within the connector can be expanded due to the availability of either tubular or planar capacitors. In addition, custom schematics (such as double **Pi**, double **L**, or **T** sections) and transient voltage protection devices can be included in the connector.

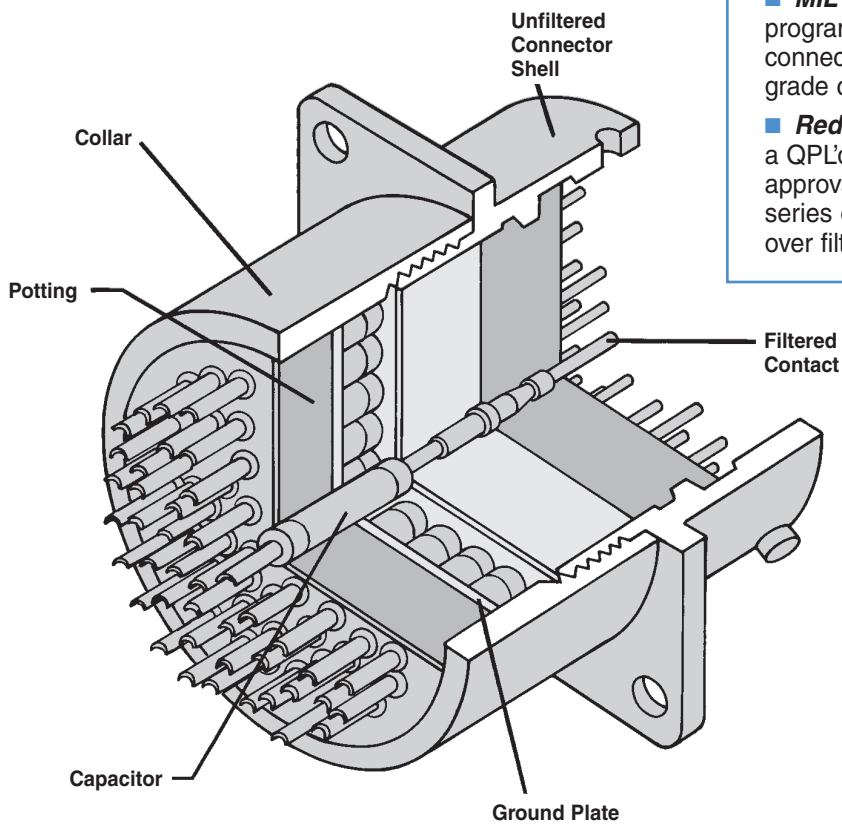
For more information on extended shell connectors, refer to pages 213-229.



Spectrum's Control Advantages

- **Retrofit existing connectors** - We can add filters to customer supplied connectors, saving time during prototype phase and expediting system evaluation.
- **Design flexibility and quality assurance** - We are vertically integrated with ceramic capacitors, enabling us to offer a broad selection of this critical component and ensuring design versatility and manufacturing control.
- **Prototypes** - Our EMI filtering expertise and large capacitor inventory allow us to quickly provide a working sample of your filtered connector.
- **Economy and turnaround** - Most components we utilize are standards, minimizing our tooling requirements and providing cost savings and a shorter lead time.
- **MIL and commercial applications** - Reduce program costs by utilizing our extended shell connectors for both MIL spec and commercial grade connectors.
- **Reduce testing and qualification** - Use of a QPL'd connector interface can expedite your approval process. In addition, we can filter any series of connectors . . . eliminating concerns over filter connector availability.

Filtered Connectors



For 38999 compact shell design, see page 205.



MIL-C-38999, Extended Shell



Ordering Information

Available connector styles and shell sizes for this MIL series are shown on the following pages. Refer to these pages and the information below to develop your connector part number.

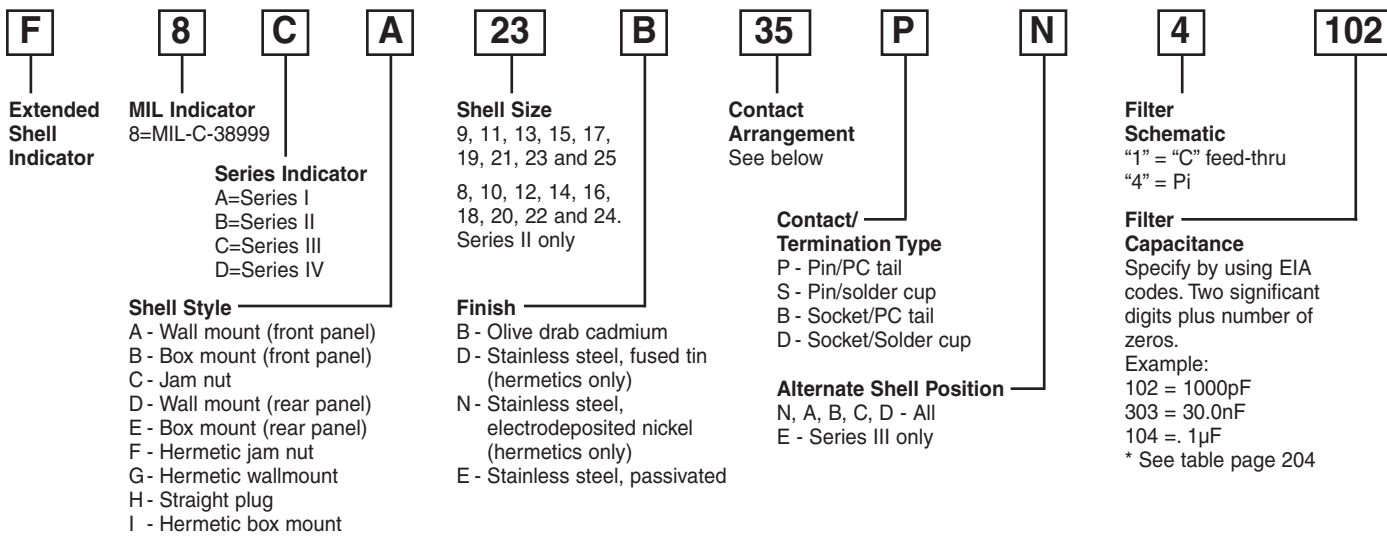
Custom Designs

Due to the versatility provided with this product design, custom requirements can be readily accommodated. Consult Spectrum Control for your specific needs.

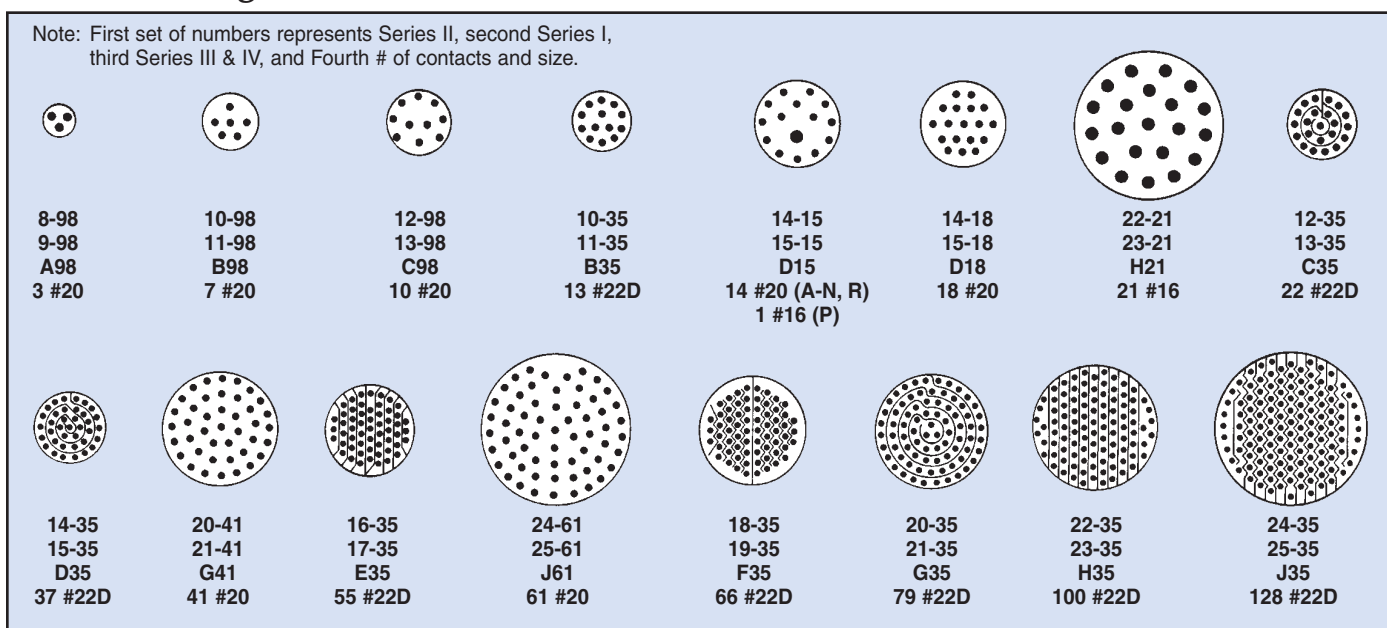
Materials and Finishes

Shell. As noted in Ordering Information
 Backshell. Copper Alloy, Nickel Plate
 Contacts. Copper alloy, gold plate per MIL-G-45204

(For electrical specifications, see page 204.)



Contact Arrangements (First two digits shell size, second two contact arrangement)



Note: For availability of filtered connectors with custom requirements, such as mixed capacitance, insulated lines, ground lines or other contact arrangements, consult factory for specific part number.

Filtered Connectors



MIL-C-38999, Extended Shell Series I

MS27468 Jam Nut Receptacle

Shell Size	A	B	C	D	E	F	G	L
9	1.199 (30.45)	.697 (17.70)	.875 (22.23)	1.062 (26.97)	.669 (16.99)	.572 (14.53)	.515 (13.08)	1.715 (43.56)
11	1.386 (35.20)	.822 (20.88)	1.000 (25.40)	1.250 (31.75)	.769 (19.53)	.700 (17.78)	.640 (16.26)	1.715 (43.56)
13	1.511 (38.38)	1.007 (25.58)	1.188 (30.18)	1.375 (34.93)	.955 (24.26)	.850 (21.59)	.765 (19.43)	1.715 (43.56)
15	1.636 (41.55)	1.134 (28.80)	1.312 (33.32)	1.500 (38.10)	1.084 (27.53)	.975 (24.77)	.890 (22.61)	1.715 (43.56)
17	1.761 (44.73)	1.259 (31.98)	1.438 (36.53)	1.625 (41.28)	1.208 (30.68)	1.100 (27.94)	1.015 (25.78)	1.715 (43.56)
19	1.949 (49.50)	1.384 (35.15)	1.562 (39.67)	1.812 (46.02)	1.333 (33.86)	1.207 (30.66)	1.140 (28.96)	1.715 (43.56)
21	2.073 (52.65)	1.507 (38.28)	1.688 (42.88)	1.938 (49.23)	1.459 (37.06)	1.332 (33.83)	1.265 (32.13)	1.745 (44.32)
23	2.199 (55.85)	1.634 (41.50)	1.812 (46.02)	2.062 (52.37)	1.575 (40.01)	1.457 (37.01)	1.390 (35.31)	1.745 (44.32)
25	2.323 (59.00)	1.759 (44.68)	2.000 (50.80)	2.188 (55.58)	1.709 (43.41)	1.582 (40.18)	1.515 (38.48)	1.745 (44.32)

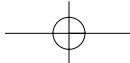
MS27470 Hermetic Seal Jam Nut Receptacle

Shell Size	A	B	C	D	E	F	G	L
9	1.199 (30.45)	.697 (17.70)	.875 (22.23)	1.062 (26.97)	.669 (16.99)	.572 (14.53)	.730 (18.54)	1.860 (47.24)
11	1.386 (35.20)	.822 (20.88)	1.000 (25.40)	1.250 (31.75)	.769 (19.53)	.700 (17.78)	.855 (21.72)	1.860 (47.24)
13	1.511 (38.38)	1.007 (25.58)	1.188 (30.18)	1.375 (34.93)	.955 (24.26)	.850 (21.59)	.980 (24.89)	1.860 (47.24)
15	1.636 (41.55)	1.134 (28.80)	1.312 (33.32)	1.500 (38.10)	1.084 (27.53)	.975 (24.77)	1.105 (28.07)	1.860 (47.24)
17	1.761 (44.73)	1.259 (31.98)	1.438 (36.53)	1.625 (41.28)	1.208 (30.68)	1.100 (27.94)	1.230 (31.24)	1.860 (47.24)
19	1.949 (49.50)	1.384 (35.15)	1.562 (39.67)	1.812 (46.02)	1.333 (33.86)	1.207 (30.66)	1.355 (34.42)	1.885 (47.88)
21	2.073 (52.65)	1.507 (38.28)	1.688 (42.88)	1.938 (49.23)	1.459 (37.06)	1.332 (33.83)	1.405 (35.69)	1.885 (47.88)
23	2.199 (55.85)	1.634 (41.50)	1.812 (46.02)	2.062 (52.37)	1.575 (40.01)	1.457 (37.01)	1.605 (40.77)	1.885 (47.88)
25	2.323 (59.00)	1.759 (44.68)	2.000 (50.80)	2.188 (55.58)	1.709 (43.41)	1.582 (40.18)	1.730 (43.94)	1.885 (47.88)

MS27469 Hermetic Seal Wall Mount Receptacle

Shell Size	A	B	C	D	E
9	.938 (23.83)	.719 (18.26)	.128 (3.25)	.572 (14.53)	.765 (19.43)
11	1.031 (26.19)	.812 (20.62)	.128 (3.25)	.700 (17.78)	.890 (22.61)
13	1.125 (28.58)	.906 (23.01)	.128 (3.25)	.850 (21.59)	1.015 (25.78)
15	1.219 (30.96)	.969 (24.61)	.128 (3.25)	.975 (24.77)	1.140 (28.96)
17	1.312 (33.32)	1.062 (26.97)	.128 (3.25)	1.100 (27.94)	1.265 (28.96)
19	1.438 (36.53)	1.156 (29.36)	.128 (3.25)	1.207 (30.66)	1.390 (35.31)
21	1.562 (39.67)	1.250 (31.75)	.128 (3.25)	1.332 (33.83)	1.515 (38.48)
23	1.688 (42.88)	1.375 (34.93)	.147 (3.73)	1.457 (37.01)	1.640 (41.66)
25	1.812 (46.02)	1.500 (38.10)	.147 (3.73)	1.582 (40.18)	1.765 (44.83)

Dimensions in inches (mm)



MIL-C-38999, Extended Shell Series I

MS27496 Box Mount Receptacle, Front Panel Mounting

Shell Size	A	B	C	D	E
9	.938 (23.83)	.719 (18.26)	.572 (14.53)	.632 (16.05)	.495 (12.57)
11	1.031 (26.19)	.812 (20.62)	.700 (17.78)	.632 (16.05)	.620 (15.75)
13	1.125 (28.58)	.906 (23.01)	.850 (21.59)	.632 (16.05)	.745 (18.92)
15	1.219 (30.96)	.969 (24.61)	.975 (24.77)	.632 (16.05)	.870 (22.10)
17	1.312 (33.32)	1.062 (27.10)	1.100 (27.94)	.632 (16.05)	.995 (25.27)
19	1.438 (36.53)	1.156 (29.36)	1.207 (30.66)	.632 (16.05)	1.115 (28.32)
21	1.562 (39.67)	1.250 (31.75)	1.332 (33.83)	.602 (15.29)	1.235 (31.37)
23	1.688 (42.88)	1.375 (34.93)	1.457 (37.05)	.602 (15.29)	1.360 (34.54)
25	1.812 (46.02)	1.500 (38.10)	1.582 (40.18)	.602 (15.29)	1.485 (37.72)

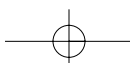
MS27505 Box Mount Receptacle, Back Panel Mounting

Shell Size	A	B	C	D	E
9	.938 (23.83)	.719 (18.26)	.572 (14.53)	.820 (20.83)	.495 (12.57)
11	1.031 (26.19)	.812 (20.62)	.700 (17.78)	.820 (20.83)	.620 (15.75)
13	1.125 (28.58)	.906 (23.01)	.850 (21.59)	.820 (20.83)	.745 (18.92)
15	1.219 (30.96)	.969 (24.61)	.975 (24.77)	.820 (20.83)	.870 (22.10)
17	1.312 (33.32)	1.062 (27.10)	1.100 (27.94)	.820 (20.83)	.995 (25.27)
19	1.438 (36.53)	1.156 (29.36)	1.207 (30.66)	.820 (20.83)	1.115 (28.32)
21	1.562 (39.67)	1.250 (31.75)	1.332 (33.83)	.790 (20.07)	1.235 (31.37)
23	1.688 (42.88)	1.375 (34.93)	1.457 (37.01)	.790 (20.07)	1.360 (34.54)
25	1.812 (46.02)	1.500 (38.10)	1.582 (40.18)	.790 (20.07)	1.485 (37.72)

MS27467 Straight Plug

Shell Size	A	B	V
9	.844 (21.44)	.540 (13.72)	.4375-28 UNEF-2A
11	.969 (24.61)	.660 (16.76)	.5625-24 UNEF-2A
13	1.141 (28.98)	.785 (19.94)	.6875-24 UNEF-2A
15	1.266 (32.16)	.915 (23.24)	.8125-20 UNEF-2A
17	1.391 (35.33)	1.025 (26.04)	.9375-20 UNEF-2A
19	1.500 (38.10)	1.145 (29.08)	1.0625-18 UNEF-2A
21	1.625 (41.28)	1.270 (32.26)	1.1875-18 UNEF-2A
23	1.750 (44.45)	1.395 (35.43)	1.3125-18 UNEF-2A
25	1.875 (47.63)	1.520 (38.61)	1.4375-18 UNEF-2A

Dimensions in inches (mm)





MIL-C-38999, Extended Shell Series II

MS27477 Hermetic Jam Nut Receptacle

Shell Size	A	B	C	D	E	F	G	H
8	.830 (21.08)	1.390 (35.31)	1.250 (31.75)	1.062 (26.97)	.884 (22.45)	.438 (11.13)	.473 (12.01)	.435 (11.05)
10	.955 (24.26)	1.515 (38.48)	1.375 (34.93)	1.188 (30.18)	1.007 (25.58)	.438 (11.13)	.590 (14.99)	.525 (13.34)
12	1.084 (27.53)	1.640 (41.66)	1.500 (38.10)	1.312 (33.32)	1.134 (28.80)	.438 (11.13)	.750 (19.05)	.665 (16.89)
14	1.208 (30.68)	1.765 (44.83)	1.625 (41.28)	1.438 (36.53)	1.259 (31.98)	.438 (11.13)	.875 (22.23)	.785 (19.94)
16	1.333 (33.86)	1.953 (49.61)	1.781 (45.24)	1.562 (39.67)	1.384 (35.15)	.438 (11.13)	1.000 (25.40)	.915 (23.24)
18	1.459 (37.06)	2.031 (51.59)	1.890 (48.01)	1.688 (42.88)	1.507 (38.28)	.438 (11.13)	1.125 (28.50)	.985 (25.02)
20	1.576 (40.03)	2.156 (54.76)	2.016 (51.21)	1.812 (46.02)	1.634 (41.50)	.464 (11.79)	1.250 (31.75)	1.135 (28.83)
22	1.701 (43.21)	2.280 (57.91)	2.140 (54.31)	2.000 (50.80)	1.759 (44.68)	.464 (11.79)	1.375 (34.93)	1.255 (31.88)
24	1.826 (46.38)	2.405 (61.09)	2.265 (57.53)	2.125 (53.98)	1.884 (47.85)	.464 (11.79)	1.500 (38.10)	1.385 (35.18)

MS27474 Jam Nut Receptacle

Shell Size	A	B	C	D	E	F	G	H	L
8	.830 (21.08)	1.390 (35.31)	1.250 (31.75)	1.062 (26.97)	.884 (22.45)	.438 (11.13)	.473 (12.01)	.515 (13.08)	1.370 (34.80)
10	.955 (24.26)	1.515 (38.48)	1.375 (34.93)	1.188 (30.18)	1.007 (25.58)	.438 (11.13)	.590 (14.99)	.640 (16.26)	1.370 (34.80)
12	1.084 (27.53)	1.640 (41.66)	1.500 (38.10)	1.312 (33.32)	1.134 (28.80)	.438 (11.13)	.750 (19.05)	.765 (19.43)	1.370 (34.80)
14	1.208 (30.68)	1.765 (44.83)	1.625 (41.28)	1.438 (36.53)	1.259 (31.98)	.438 (11.13)	.875 (22.23)	.890 (22.61)	1.370 (34.80)
16	1.333 (33.86)	1.953 (49.61)	1.781 (45.24)	1.562 (39.67)	1.384 (35.15)	.438 (11.13)	1.000 (25.40)	1.015 (25.78)	1.370 (34.80)
18	1.459 (37.06)	2.031 (51.59)	1.890 (48.01)	1.688 (42.88)	1.507 (38.28)	.438 (11.13)	1.125 (28.58)	1.140 (28.96)	1.370 (34.80)
20	1.576 (40.03)	2.156 (54.76)	2.016 (51.21)	1.812 (46.02)	1.634 (41.50)	.464 (11.79)	1.250 (31.75)	1.265 (32.13)	1.395 (35.43)
22	1.701 (43.21)	2.280 (57.91)	2.140 (54.36)	2.000 (50.80)	1.759 (44.68)	.464 (11.79)	1.375 (34.93)	1.390 (35.31)	1.395 (35.43)
24	1.826 (46.38)	2.405 (61.09)	2.265 (57.53)	2.125 (53.98)	1.884 (47.85)	.464 (11.79)	1.500 (38.10)	1.515 (38.48)	1.395 (35.43)

MS27484 Straight Plug

Shell Size	A	B	V Thread Modified Class 2-A	Modified Major Dia.
8	.734 (18.64)	.540 (13.72)	.4375-28 UNEF	.421-.417
10	.844 (21.44)	.660 (16.76)	.5625-24 UNEF	.542-.538
12	1.016 (25.81)	.785 (19.94)	.6875-24 UNEF	.667-.663
14	1.141 (28.98)	.915 (23.24)	.8125-20 UNEF	.791-.787
16	1.265 (32.13)	1.025 (26.04)	.9375-20 UNEF	.916-.912
18	1.391 (35.33)	1.145 (29.08)	1.0625-18 UNEF	1.034-1.030
20	1.500 (38.10)	1.270 (32.26)	1.875-18 UNEF	1.158-1.154
22	1.625 (41.28)	1.395 (35.43)	1.3125-18 UNEF	1.283-1.279
24	1.750 (44.45)	1.520 (38.61)	1.4375-18 UNEF	1.408-1.404

Dimensions in inches (mm)



MIL-C-38999, Extended Shell Series II

MS27508 Box Mount Receptacle, Back Panel Mounting

Shell Size	A	B	C	D
8	.812 (20.62)	.594 (15.09)	.473 (12.01)	.495 (12.57)
10	.938 (23.83)	.719 (18.26)	.590 (14.99)	.620 (15.75)
12	1.031 (26.19)	.812 (20.62)	.750 (19.05)	.745 (18.92)
14	1.125 (28.58)	.906 (23.01)	.875 (22.23)	.870 (22.10)
16	1.219 (30.96)	.969 (24.61)	1.000 (25.40)	.995 (25.27)
18	1.312 (33.32)	1.062 (27.10)	1.125 (28.58)	1.115 (28.32)
20	1.438 (36.53)	1.156 (29.36)	1.250 (31.75)	1.235 (31.37)
22	1.562 (39.67)	1.250 (31.75)	1.375 (34.93)	1.360 (34.54)
24	1.688 (42.88)	1.375 (34.93)	1.500 (38.10)	1.485 (37.72)

MS27476 Hermetic Seal, Box Mount Receptacle

Shell Size	A	B	C	D
10	.938 (23.83)	.719 (18.26)	.590 (14.99)	.750 (19.05)
12	1.031 (26.19)	.812 (20.62)	.750 (19.05)	.860 (21.84)
14	1.125 (28.58)	.906 (23.01)	.875 (22.23)	.985 (25.02)
16	1.219 (30.96)	.969 (24.61)	1.000 (25.40)	1.110 (28.19)
18	1.312 (33.32)	1.062 (26.97)	1.125 (28.58)	1.235 (31.37)
20	1.438 (36.53)	1.156 (29.36)	1.250 (31.75)	1.330 (33.78)
22	1.562 (39.67)	1.250 (31.75)	1.375 (34.93)	1.455 (36.96)
24	1.688 (42.88)	1.375 (34.93)	1.500 (38.10)	1.580 (40.13)

MS27499 Box Mount Receptacle, Front Panel Mounting

Shell Size	A	B	C	D
8	.812 (20.62)	.594 (15.09)	.473 (12.01)	.495 (12.57)
10	.938 (23.83)	.719 (18.26)	.590 (14.99)	.620 (15.75)
12	1.031 (26.19)	.812 (20.62)	.750 (19.05)	.745 (18.92)
14	1.125 (28.58)	.906 (23.01)	.875 (22.23)	.870 (22.10)
16	1.219 (30.96)	.969 (24.61)	1.000 (25.40)	.995 (25.27)
18	1.312 (33.32)	1.062 (26.97)	1.125 (28.58)	1.115 (28.32)
20	1.438 (36.53)	1.156 (29.36)	1.250 (31.75)	1.235 (31.37)
22	1.562 (39.67)	1.250 (31.75)	1.375 (34.93)	1.360 (34.54)
24	1.688 (42.88)	1.375 (34.93)	1.500 (38.10)	1.485 (37.72)

Dimensions in inches (mm)

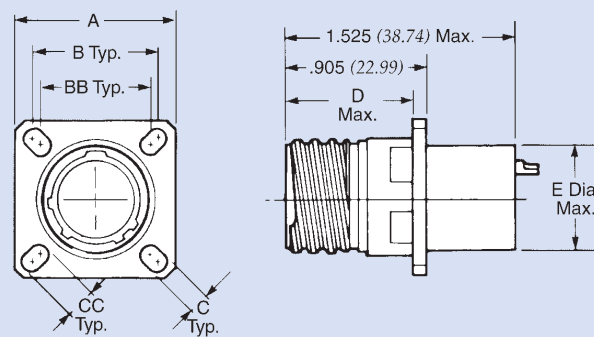


MIL-C-38999, Extended Shell Series III



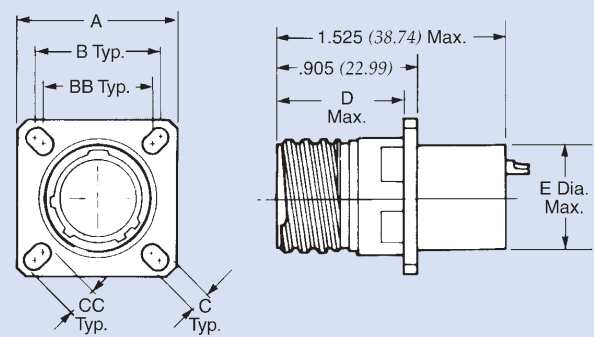
D38999/20 Wall Mount Receptacle

Shell Size	MS Shell Size Code	A	B	BB	C	CC	D	E
9	A	.938 (23.83)	.719 (18.26)	.594 (15.09)	.128 (3.25)	.216 (5.49)	.820 (20.83)	.550 (13.97)
11	B	1.031 (26.19)	.812 (20.62)	.719 (18.26)	.128 (3.25)	.194 (4.93)	.820 (20.83)	.670 (17.02)
13	C	1.125 (28.58)	.906 (23.01)	.812 (20.62)	.128 (3.25)	.194 (4.93)	.820 (20.83)	.785 (19.94)
15	D	1.219 (30.96)	.969 (24.61)	.906 (23.01)	.128 (3.25)	.173 (4.39)	.820 (20.83)	.945 (24.00)
17	E	1.312 (33.32)	1.062 (26.97)	.969 (24.61)	.128 (3.25)	.194 (4.93)	.820 (20.83)	1.060 (26.92)
19	F	1.438 (36.53)	1.156 (29.36)	1.062 (26.97)	.128 (3.25)	.194 (4.93)	.820 (20.83)	1.180 (29.97)
21	G	1.562 (39.67)	1.250 (31.75)	1.156 (29.36)	.128 (3.25)	.194 (4.93)	.790 (20.07)	1.295 (32.89)
23	H	1.688 (42.88)	1.375 (34.93)	1.250 (31.75)	.154 (3.91)	.242 (6.15)	.790 (20.07)	1.415 (35.94)
25	J	1.812 (46.02)	1.500 (38.10)	1.375 (34.93)	.154 (3.91)	.242 (6.15)	.790 (20.07)	1.535 (38.99)



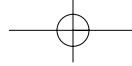
D38999/21 Hermetic Seal Box Mount Receptacle

Shell Size	MS Shell Size Code	A	B	BB	C	CC	D	E
9	A	.937 (23.80)	.719 (18.26)	.594 (15.09)	.128 (3.25)	.216 (5.49)	.843 (21.41)	.380 (9.65)
11	B	1.031 (26.20)	.812 (20.62)	.719 (18.26)	.128 (3.25)	.194 (4.93)	.843 (21.41)	.500 (12.70)
13	C	1.126 (28.60)	.906 (23.01)	.812 (20.62)	.128 (3.25)	.194 (4.93)	.843 (21.41)	.620 (15.75)
15	D	1.220 (31.00)	.969 (24.61)	.906 (23.01)	.128 (3.25)	.194 (4.93)	.843 (21.41)	.775 (19.68)
17	E	1.311 (33.30)	1.062 (26.97)	.969 (24.61)	.128 (3.25)	.194 (4.93)	.843 (21.41)	.895 (22.73)
19	F	1.437 (36.50)	1.156 (29.36)	1.062 (26.97)	.128 (3.25)	.194 (4.93)	.843 (21.41)	1.010 (25.65)
21	G	1.563 (39.70)	1.250 (31.75)	1.156 (29.36)	.128 (3.25)	.194 (4.93)	.843 (21.41)	1.130 (28.70)
23	H	1.689 (42.90)	1.375 (34.93)	1.250 (31.75)	.154 (3.91)	.242 (6.15)	.843 (21.41)	1.250 (31.75)
25	J	1.811 (46.00)	1.500 (38.10)	1.375 (34.93)	.154 (3.91)	.242 (6.15)	.843 (21.41)	1.365 (34.67)



Dimensions in inches (mm)

Filtered Connectors



MIL-C-38999, Extended Shell Series III

D38999/24 Jam Nut Receptacle

Shell Size	MS Shell Size Code	A	B	C	D	E	F	G	L
9	A	1.199 (30.45)	.697 (17.70)	.875 (22.23)	1.062 (26.97)	.871 (22.12)	.669 (16.99)	.550 (13.97)	1.595 (40.51)
11	B	1.386 (35.20)	.822 (20.88)	1.000 (25.40)	1.250 (31.75)	.871 (22.12)	.769 (19.53)	.670 (17.02)	1.595 (40.51)
13	C	1.511 (38.38)	1.007 (25.58)	1.188 (30.18)	1.375 (34.93)	.878 (22.30)	.955 (24.26)	.785 (19.94)	1.595 (40.51)
15	D	1.636 (41.55)	1.134 (28.80)	1.312 (33.32)	1.500 (38.10)	.878 (22.30)	1.084 (27.53)	.945 (24.00)	1.595 (40.51)
17	E	1.761 (44.73)	1.259 (31.98)	1.438 (36.53)	1.625 (41.28)	.878 (22.30)	1.208 (30.68)	1.060 (26.92)	1.595 (40.51)
19	F	1.949 (49.50)	1.384 (35.15)	1.562 (39.67)	1.812 (46.02)	.878 (22.30)	1.333 (33.86)	1.180 (29.97)	1.630 (41.40)
21	G	2.073 (52.65)	1.507 (38.28)	1.688 (42.88)	1.938 (49.23)	.878 (22.30)	1.459 (37.06)	1.295 (32.89)	1.630 (41.40)
23	H	2.199 (55.85)	1.634 (41.50)	1.812 (46.02)	2.062 (52.37)	.878 (22.30)	1.575 (40.01)	1.415 (35.94)	1.630 (41.40)
25	J	2.323 (59.00)	1.759 (44.68)	2.000 (50.80)	2.188 (55.58)	.878 (22.30)	1.709 (43.41)	1.535 (38.99)	1.630 (41.40)

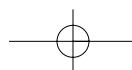
D38999/23 Hermetic Seal Jam Nut Receptacle

Shell Size	MS Shell Size Code	A	B	C	D	E	F	G	L
9	A	1.199 (30.45)	.697 (17.70)	.875 (22.23)	1.062 (26.97)	.871 (22.12)	.669 (16.99)	.730 (18.54)	1.955 (49.66)
11	B	1.386 (35.20)	.822 (20.88)	1.000 (25.40)	1.250 (31.75)	.871 (22.12)	.769 (19.53)	.845 (21.46)	1.955 (49.66)
13	C	1.511 (38.38)	1.007 (25.58)	1.188 (30.18)	1.375 (34.93)	.878 (22.30)	.955 (24.26)	.970 (24.64)	1.955 (49.66)
15	D	1.636 (41.55)	1.134 (28.80)	1.312 (33.32)	1.500 (38.10)	.878 (22.30)	1.084 (27.53)	1.095 (27.81)	1.955 (49.66)
17	E	1.761 (44.73)	1.259 (31.98)	1.438 (36.53)	1.625 (41.28)	.878 (22.30)	1.208 (30.68)	1.220 (30.99)	1.955 (49.66)
19	F	1.949 (49.50)	1.384 (35.15)	1.562 (39.67)	1.812 (46.02)	.878 (22.30)	1.333 (33.86)	1.345 (34.16)	1.985 (50.42)
21	G	2.073 (52.65)	1.507 (38.28)	1.688 (42.88)	1.938 (49.23)	.878 (22.30)	1.459 (37.06)	1.470 (37.34)	1.985 (50.42)
23	H	2.199 (55.85)	1.634 (41.50)	1.812 (46.02)	2.062 (52.37)	.878 (22.30)	1.575 (40.01)	1.595 (40.51)	1.985 (50.42)
25	J	2.323 (59.00)	1.759 (44.68)	2.000 (50.80)	2.188 (55.58)	.878 (22.30)	1.709 (43.41)	1.720 (43.69)	1.985 (50.42)

D38999/26 Straight Plug

Shell Size	MS Shell Size Code	A	B	V Thread
9	A	.859 (21.82)	.580 (14.73)	M12 X1.0-6g-0.1R
11	B	.969 (24.61)	.695 (17.65)	M15X1.0-6g-0.1R
13	C	1.141 (28.98)	.810 (20.57)	M18X1.0-6g-0.1R
15	D	1.266 (32.16)	.965 (24.51)	M22X1.0-6g-0.1R
17	E	1.391 (35.33)	1.080 (27.43)	M25X1.0-6g-0.1R
19	F	1.500 (38.10)	1.195 (30.35)	M28X1.0-6g-0.1R
21	G	1.625 (41.28)	1.310 (33.27)	M31X1.0-6g-0.1R
23	H	1.750 (44.45)	1.425 (36.20)	M34X1.0-6g-0.1R
25	J	1.875 (47.63)	1.540 (39.12)	M37X1.0-6g-0.1R

Dimensions in inches (mm)



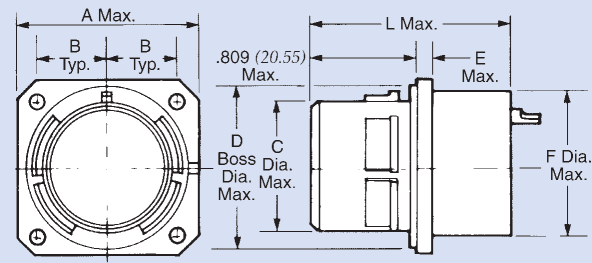


MIL-C-38999, Extended Shell Series IV



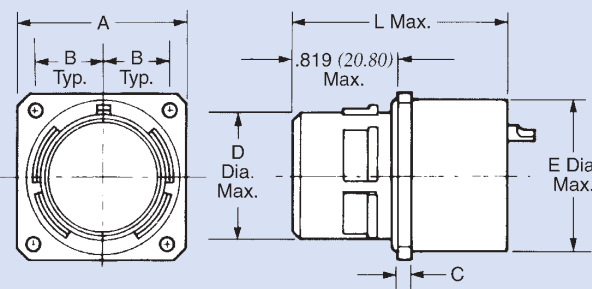
D38999/40 Wall Mount Receptacle

Shell Size	MS Size Code	A	B	C	D	E	F	L
11	B	1.051 (26.70)	.406 (10.31)	.509 (12.93)	.793 (20.14)	.102 (2.59)	.670 (17.02)	1.785 (45.34)
13	C	1.145 (29.08)	.453 (11.51)	.634 (16.10)	.919 (23.34)	.102 (2.59)	.785 (19.94)	1.785 (45.34)
15	D	1.240 (31.50)	.4845 (12.31)	.759 (19.28)	1.044 (26.52)	.102 (2.59)	.945 (24.00)	1.785 (45.34)
17	E	1.334 (33.88)	.531 (13.49)	.885 (22.48)	1.170 (29.72)	.102 (2.59)	1.060 (26.92)	1.785 (45.34)
19	F	1.480 (37.06)	.578 (14.68)	1.009 (25.63)	1.294 (32.87)	.102 (2.59)	1.180 (29.97)	1.785 (45.34)
21	G	1.582 (40.18)	.625 (15.88)	1.134 (28.80)	1.419 (36.04)	.133 (3.38)	1.295 (32.89)	1.815 (46.10)
23	H	1.708 (43.38)	.6875 (17.46)	1.259 (31.98)	1.544 (39.22)	.133 (3.38)	1.415 (35.94)	1.815 (46.10)
25	J	1.834 (46.58)	.750 (19.05)	1.384 (35.15)	1.669 (42.39)	.133 (3.38)	1.535 (38.99)	1.815 (46.10)



D38999/41 Hermetic Seal Box Mount Receptacle

Shell Size	MS Size Code	A	B	C	D	E	L
11	B	1.051 (26.70)	.406 (10.31)	.093 (2.36)	.509 (12.93)	.500 (12.70)	1.785 (45.34)
13	C	1.145 (29.08)	.453 (11.51)	.093 (2.36)	.634 (16.10)	.620 (15.75)	1.785 (45.34)
15	D	1.240 (31.50)	.4845 (12.31)	.093 (2.36)	.759 (19.28)	.775 (19.68)	1.785 (45.34)
17	E	1.334 (33.88)	.531 (13.49)	.093 (2.36)	.885 (22.48)	.895 (22.73)	1.785 (45.34)
19	F	1.480 (37.06)	.578 (14.68)	.093 (2.36)	1.009 (25.68)	1.010 (25.65)	1.785 (45.34)
21	G	1.582 (40.18)	.625 (15.88)	.093 (2.36)	1.134 (28.80)	1.130 (28.70)	1.815 (46.10)
23	H	1.708 (43.38)	.6875 (17.46)	.093 (2.36)	1.259 (31.90)	1.250 (31.75)	1.815 (46.10)
25	J	1.834 (46.58)	.750 (19.05)	.093 (2.36)	1.384 (35.15)	1.365 (34.67)	1.815 (46.10)



Filtered Connectors

Dimensions in inches (mm)



MIL-C-38999, Extended Shell Series IV

D38999/42 Box Mount Receptacle

Shell Size	Shell Size Code	A	B	C	D	E	L
11	B	1.051 (26.70)	.406 (10.31)	.102 (2.59)	.509 (12.93)	.655 (16.64)	1.785 (45.34)
13	C	1.145 (29.08)	.453 (11.51)	.102 (2.59)	.634 (16.10)	.770 (19.56)	1.785 (45.34)
15	D	1.240 (31.50)	.4845 (12.31)	.102 (2.59)	.759 (19.28)	.895 (22.73)	1.785 (45.34)
17	E	1.334 (33.88)	.531 (13.49)	.102 (2.59)	.885 (22.48)	1.020 (25.91)	1.785 (45.34)
19	F	1.460 (37.08)	.578 (14.68)	.102 (2.59)	1.009 (25.63)	1.130 (28.70)	1.785 (45.34)
21	G	1.582 (40.18)	.626 (15.90)	.133 (3.38)	1.134 (28.80)	1.250 (31.75)	1.815 (46.10)
23	H	1.708 (43.38)	.6875 (17.46)	.133 (3.38)	1.259 (31.98)	1.375 (34.93)	1.815 (46.10)
25	J	1.834 (46.58)	.750 (19.05)	.133 (3.38)	1.384 (35.15)	1.500 (38.10)	1.815 (46.10)

D38999/44 Jam Nut Receptacle

Shell Size	MS Shell Size Code	A	B	C	D
11	B	1.394 (35.41)	1.260 (32.00)	.509 (12.93)	.670 (17.02)
13	C	1.520 (38.61)	1.417 (36.00)	.634 (16.10)	.785 (19.94)
15	D	1.642 (41.71)	1.614 (41.00)	.759 (19.28)	.945 (24.00)
17	E	1.799 (45.69)	1.614 (41.00)	.885 (22.48)	1.060 (26.92)
19	F	1.909 (48.49)	1.811 (46.00)	1.009 (25.63)	1.180 (29.97)
21	G	2.035 (51.69)	1.968 (50.00)	1.134 (28.80)	1.295 (32.89)
23	H	2.157 (54.79)	1.968 (50.00)	1.259 (31.98)	1.415 (35.94)
25	J	2.283 (57.99)	2.165 (55.00)	1.384 (35.15)	1.535 (38.99)

D38999/46 Straight Plug

Shell Size	MS Shell Size Code	A	B	C	V
11	B	1.054 (26.77)	.775 (19.69)	.695 (17.65)	M15x1.0-6g-0.1R
13	C	1.226 (31.14)	.901 (22.89)	.810 (20.57)	M18x1.0-6g-0.1R
15	D	1.351 (34.32)	1.039 (26.39)	.965 (24.51)	M22x1.0-6g-0.1R
17	E	1.476 (37.49)	1.149 (29.18)	1.080 (27.43)	M25x1.0-6g-0.1R
19	F	1.586 (40.28)	1.275 (32.39)	1.195 (30.35)	M28x1.0-6g-0.1R
21	G	1.711 (43.46)	1.401 (35.59)	1.310 (33.27)	M31x1.0-6g-0.1R
23	H	1.836 (46.63)	1.527 (38.79)	1.425 (36.20)	M34x1.0-6g-0.1R
25	J	1.964 (49.89)	1.649 (41.88)	1.540 (39.12)	M37x1.0-6g-0.1R

Dimensions in inches (mm)



MIL-C-83723, Extended Shell Series III



All extended shell connectors are manufactured by adding filters to a standard MIL qualified connector. The filtering is achieved by extending the connector with the use of a backshell and placing either planar or tubular capacitors in the backshell. Spectrum will always keep the extension to a minimum.

These miniature circular filtered connectors are designed to meet the applicable portions of MIL-C-83723 and are interchangeable with that specification.

Custom Designs

Due to the versatility provided with this product design, custom requirements can be readily accommodated. Consult Spectrum Control for your specific needs.

Materials and Finishes

Shell. As noted in Ordering Information
 Backshell. Copper Alloy, Nickel Plate
 Contacts. Copper alloy, gold plate per MIL-G-45204

(For electrical specifications, see page 204.)

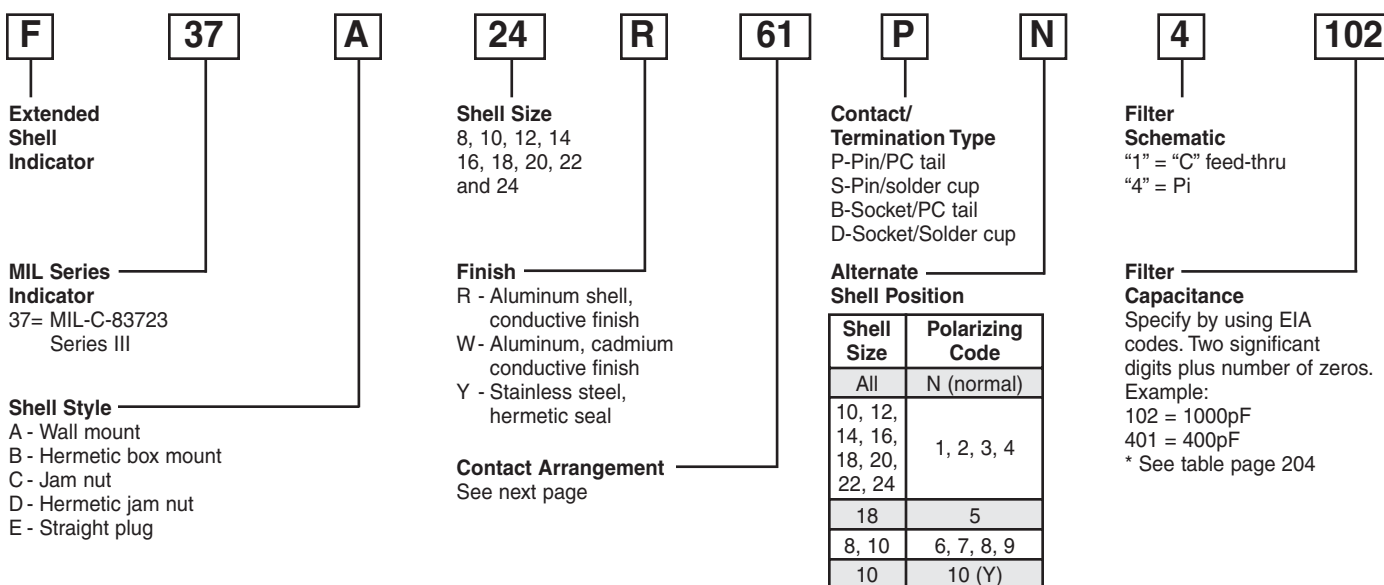
Ordering Information

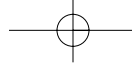
Available connector styles and shell sizes for this MIL series are shown on the following pages. Refer to these pages and the information below to develop your connector part number.

Spectrum's Control Advantages

- **Retrofit existing connectors** - We can add filters to customer supplied connectors, saving time during prototype phase and expediting system evaluation.
- **Design flexibility and quality assurance** - We are vertically integrated with ceramic capacitors, enabling us to offer a broad selection of this critical component and ensuring design versatility and manufacturing control.
- **Prototypes** - Our EMI filtering expertise and large capacitor inventory allow us to quickly provide a working sample of your filtered connector.
- **Economy and turnaround** - Most components we utilize are standards, minimizing our tooling requirements and providing cost savings and a shorter lead time.
- **MIL and commercial applications** - Reduce program costs by utilizing our extended shell connectors for both MIL spec and commercial grade connectors.
- **Reduce testing and qualification** - Use of a QPL'd connector interface can expedite your approval process. In addition, we can filter any series of connectors . . . eliminating concerns over filter connector availability.

Filtered Connectors





SPECTRUM CONTROL INC.

MIL-C-83723, Extended Shell Series III

Contact Arrangements (First two digits shell size, second two contact arrangement)



8-2
2 #20



10-2
2 #20



10-20
2 #16



8-3
3 #20



8-98
3 #20



12-3
3 #16



12-4
4 #16



10-5
5 #20



10-6
6 #20



14-7
7 #16



10-16
10 #16



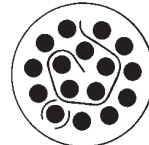
12-12
12 #20



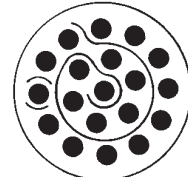
18-14
14 #16



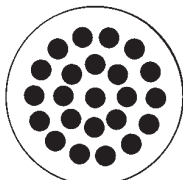
14-15
15 #20



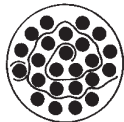
20-16
16 #16



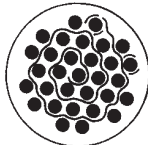
22-19
19 #16



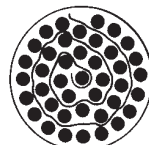
22-23
23 #16



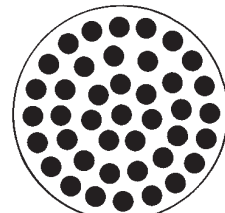
16-24
24 #20



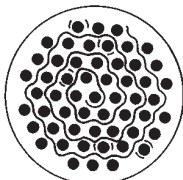
18-31
31 #20



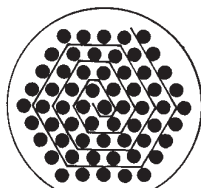
20-41
41 #20



28-41
41 #16



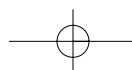
22-55
55 #20



24-61
61 #20

Note:
For availability of filtered connectors with custom requirements, such as mixed capacitance, insulated lines, ground lines or other contact arrangements, consult factory for specific part number.

Filtered Connectors





MIL-C-83723, Extended Shell Series III



M83723/71/72 Bayonet Coupling Wall Mount Receptacle

Shell Size	A	B	C	D	E
8	.812 (20.62)	.594 (15.09)	.120 (3.05)	.562 (14.27)	.575 (14.61)
10	.937 (23.80)	.719 (18.26)	.120 (3.05)	.696 (17.68)	.700 (17.78)
12	1.031 (26.19)	.812 (20.62)	.120 (3.05)	.875 (22.23)	.825 (20.96)
14	1.125 (28.58)	.906 (23.01)	.120 (3.05)	.935 (23.75)	.950 (24.13)
16	1.250 (31.75)	.969 (24.61)	.120 (3.05)	1.062 (26.97)	1.075 (27.31)
18	1.343 (34.11)	1.062 (26.97)	.120 (3.05)	1.187 (30.15)	1.140 (28.96)
20	1.473 (37.41)	1.156 (29.36)	.120 (3.05)	1.312 (33.32)	1.265 (32.13)
22	1.562 (39.67)	1.250 (31.75)	.120 (3.05)	1.437 (36.50)	1.340 (34.04)
24	1.703 (43.26)	1.375 (34.93)	.149 (3.78)	1.562 (39.67)	1.515 (38.48)

M83723/79 Bayonet Coupling Hermetic Box Receptacle

Shell Size	A	B	C	D	E
8	.812 (20.62)	.594 (15.09)	.120 (3.05)	.562 (14.27)	.580 (14.73)
10	.937 (23.80)	.719 (18.26)	.120 (3.05)	.696 (17.68)	.645 (16.38)
12	1.031 (26.19)	.812 (20.62)	.120 (3.05)	.875 (22.23)	.830 (21.08)
14	1.125 (28.58)	.906 (23.01)	.120 (3.05)	.935 (23.75)	.895 (22.73)
16	1.250 (31.75)	.969 (24.61)	.120 (3.05)	1.062 (26.97)	1.020 (25.91)
18	1.343 (34.11)	1.062 (26.97)	.120 (3.05)	1.187 (30.15)	1.145 (29.08)
20	1.473 (37.41)	1.156 (29.36)	.120 (3.05)	1.312 (33.32)	1.270 (32.26)
22	1.562 (39.67)	1.250 (31.75)	.120 (3.05)	1.437 (36.50)	1.395 (35.43)
24	1.703 (43.26)	1.375 (34.93)	.149 (3.78)	1.562 (39.67)	1.520 (38.61)

Dimensions in inches (mm)

Filtered Connectors



MIL-C-83723, Extended Shell Series III

M83723/73/74 Bayonet Coupling Jam Nut Receptacle

Shell Size	A	B	C	L
8	.979 (24.87)	1.068 (27.13)	.575 (14.61)	1.830 (46.48)
10	1.104 (28.04)	1.192 (30.28)	.700 (17.78)	1.830 (46.48)
12	1.291 (32.79)	1.380 (35.05)	.825 (20.96)	1.830 (46.48)
14	1.391 (35.33)	1.505 (38.23)	.950 (24.13)	1.830 (46.48)
16	1.516 (38.51)	1.630 (41.40)	1.075 (27.31)	1.830 (46.48)
18	1.641 (41.68)	1.756 (44.60)	1.140 (28.96)	1.830 (46.48)
20	1.766 (44.86)	1.860 (47.24)	1.265 (32.13)	1.830 (46.48)
22	1.954 (49.63)	2.068 (52.53)	1.340 (34.04)	1.860 (47.24)
24	2.079 (52.81)	2.160 (54.86)	1.515 (38.48)	1.860 (47.24)

M83723/81 Bayonet Coupling Hermetic Jam Nut Receptacle

Shell Size	A	B	C	L
8	.979 (24.87)	1.068 (27.13)	.490 (12.45)	1.670 (42.42)
10	1.104 (28.04)	1.192 (30.28)	.550 (13.97)	1.670 (42.42)
12	1.291 (32.79)	1.380 (35.05)	.740 (18.80)	1.670 (42.42)
14	1.391 (35.33)	1.505 (38.23)	.800 (20.32)	1.670 (42.42)
16	1.516 (38.51)	1.630 (41.40)	.925 (23.50)	1.670 (42.42)
18	1.641 (41.68)	1.756 (44.74)	1.050 (26.67)	1.670 (42.42)
20	1.766 (44.86)	1.860 (47.24)	1.240 (31.50)	1.670 (42.42)
22	1.954 (49.63)	2.068 (52.53)	1.300 (33.02)	1.670 (42.42)
24	2.079 (52.81)	2.160 (54.86)	1.490 (37.85)	1.670 (42.42)

M83723/77/78 Bayonet Coupling Straight Plug

Shell Size	A	B	V
8	.766 (19.46)	.590 (14.99)	1/2-20 UNEF-2A
10	.906 (23.01)	.720 (18.29)	5/8-24 UNEF-2A
12	1.078 (27.38)	.840 (21.34)	3/4-20 UNEF-2A
14	1.141 (28.98)	.965 (24.51)	7/8-20 UNEF-2A
16	1.266 (32.16)	1.090 (27.69)	1-20 UNEF-2A
18	1.375 (34.93)	1.14 (29.08)	1 1/16-18 UNEF-2A
20	1.510 (38.35)	1.270 (32.26)	1 3/16-18 UNEF-2A
22	1.625 (41.28)	1.395 (35.43)	1 5/16-18 UNEF-2A
24	1.760 (44.70)	1.520 (38.61)	1 7/16-18 UNEF-2A

Dimensions in inches (mm)



MIL-C-26482, Extended Shell



All extended shell connectors are manufactured by adding filters to a standard MIL qualified connector. The filtering is achieved by extending the connector with the use of a backshell and placing either planar or tubular capacitors in the backshell. Spectrum will always keep the extension to a minimum.

These miniature circular filtered connectors are designed to meet the applicable portions of MIL-C-83723 and are interchangeable with that specification.

Custom Designs

Due to the versatility provided with this product design, custom requirements can be readily accommodated. Consult Spectrum Control for your specific needs.

Materials and Finishes

Shell. As noted in Ordering Information
 Backshell. Copper Alloy, Nickel Plate
 Contacts. Copper alloy, gold plate per MIL-G-45204

(For electrical specifications, see page 204.)

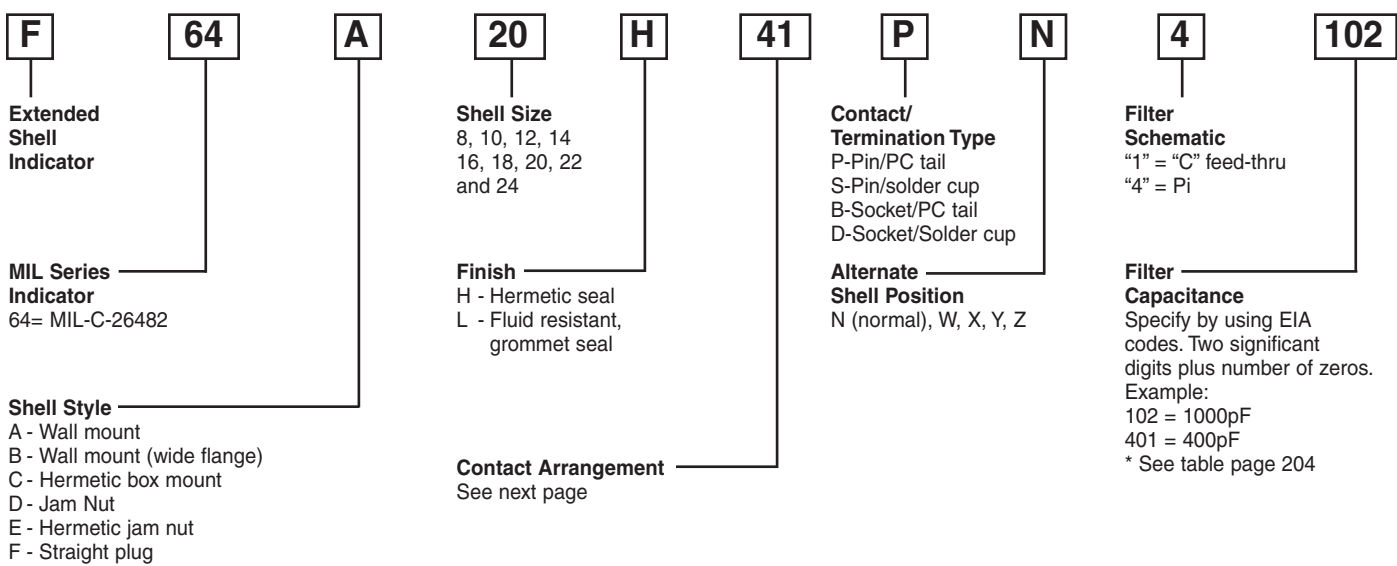
Ordering Information

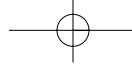
Available connector styles and shell sizes for this MIL series are shown on the following pages. Refer to these pages and the information below to develop your connector part number.

Spectrum's Control Advantages

- **Retrofit existing connectors** - We can add filters to customer supplied connectors, saving time during prototype phase and expediting system evaluation.
- **Design flexibility and quality assurance** - We are vertically integrated with ceramic capacitors, enabling us to offer a broad selection of this critical component and ensuring design versatility and manufacturing control.
- **Prototypes** - Our EMI filtering expertise and large capacitor inventory allow us to quickly provide a working sample of your filtered connector.
- **Economy and turnaround** - Most components we utilize are standards, minimizing our tooling requirements and providing cost savings and a shorter lead time.
- **MIL and commercial applications** - Reduce program costs by utilizing our extended shell connectors for both MIL spec and commercial grade connectors.
- **Reduce testing and qualification** - Use of a QPL'd connector interface can expedite your approval process. In addition, we can filter any series of connectors . . . eliminating concerns over filter connector availability.

Filtered Connectors



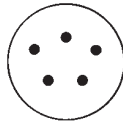


MIL-C-26482, Extended Shell

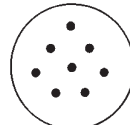
Contact Arrangements (First two digits shell size, second two contact arrangement)



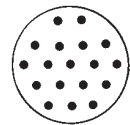
8-98
3 #20



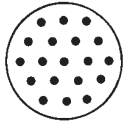
14-5
5 #16



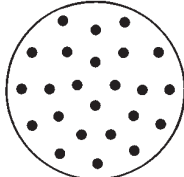
16-8
8 #16



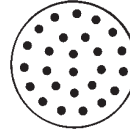
14-18
18 #20



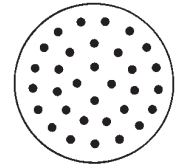
14-19
19 #20



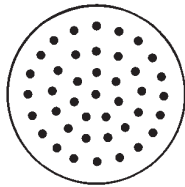
20-24
24 #20



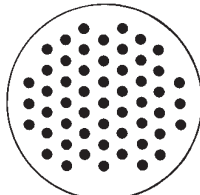
16-26
26 #20



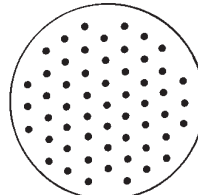
18-32
18 #20



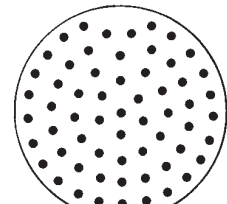
20-41
41 #20



22-53
53 #20



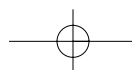
22-55
55 #20



24-61
61 #20

Filtered Connectors

Note:
For availability of filtered connectors with custom requirements, such as mixed capacitance, insulated lines, ground lines or other contact arrangements, consult factory for specific part number.





MIL-C-26482, Extended Shell

MS3470 Wall Mount Receptacle

Shell Size	A	B	C	D	E	F	L
8	.828 (21.03)	.594 (15.09)	.446 (11.33)	.062 (1.57)	.087 (2.21)	.575 (14.61)	1.575 (40.01)
10	.954 (24.23)	.719 (18.26)	.446 (11.33)	.062 (1.57)	.087 (2.21)	.700 (17.78)	1.575 (40.01)
12	1.047 (26.59)	.812 (20.62)	.446 (11.33)	.062 (1.57)	.087 (2.21)	.825 (20.96)	1.575 (40.01)
14	1.141 (28.98)	.906 (23.01)	.446 (11.33)	.062 (1.57)	.087 (2.21)	.950 (24.13)	1.575 (40.01)
16	1.234 (31.34)	.969 (24.61)	.446 (11.33)	.062 (1.57)	.087 (2.21)	1.075 (27.31)	1.575 (40.01)
18	1.328 (33.73)	1.062 (26.97)	.446 (11.33)	.062 (1.57)	.087 (2.21)	1.140 (28.96)	1.575 (40.01)
20	1.453 (36.91)	1.156 (29.36)	.572 (14.53)	.094 (2.39)	.212 (5.38)	1.265 (32.13)	1.735 (44.07)
22	1.578 (40.08)	1.250 (31.75)	.572 (14.53)	.094 (2.39)	.212 (5.38)	1.340 (34.04)	1.735 (44.07)
24	1.703 (43.26)	1.375 (34.93)	.604 (15.34)	.094 (2.39)	.212 (5.38)	1.515 (38.48)	1.765 (44.83)

MS3472 Wide Flange Wall Mount Receptacle

Shell Size	A	B	C	D	E	F	L
8	1.065 (27.05)	.734 (18.64)	.477 (12.12)	.062 (1.57)	.118 (3.00)	.575 (14.61)	1.605 (40.77)
10	1.141 (28.98)	.812 (20.62)	.477 (12.12)	.062 (1.57)	.118 (3.00)	.700 (17.78)	1.605 (40.77)
12	1.266 (32.16)	.938 (23.83)	.477 (12.12)	.062 (1.57)	.118 (3.00)	.825 (20.96)	1.605 (40.77)
14	1.360 (34.54)	1.031 (26.19)	.477 (12.12)	.062 (1.57)	.118 (3.00)	.950 (24.13)	1.605 (40.77)
16	1.453 (36.91)	1.125 (28.58)	.477 (12.12)	.062 (1.57)	.118 (3.00)	1.075 (27.31)	1.605 (40.77)
18	1.532 (38.91)	1.203 (30.56)	.477 (12.12)	.062 (1.57)	.118 (3.00)	1.140 (28.96)	1.605 (40.77)
20	1.688 (42.88)	1.297 (32.94)	.571 (14.50)	.094 (2.39)	.212 (5.38)	1.265 (32.13)	1.735 (44.07)
22	1.766 (44.86)	1.375 (34.93)	.571 (14.50)	.094 (2.39)	.212 (5.38)	1.340 (34.04)	1.735 (44.07)
24	1.891 (48.03)	1.500 (38.10)	.604 (15.34)	.094 (2.39)	.212 (5.38)	1.515 (38.48)	1.765 (44.83)

MS3440 Hermetic Seal Box Mount Receptacle

Shell Size	A	B	C	D	E	F	L
10	.954 (24.23)	.719 (18.26)	.588 (14.94)	.062 (1.57)	.087 (2.21)	.750 (19.05)	1.750 (44.45)
12	1.047 (26.59)	.812 (20.62)	.588 (14.94)	.062 (1.57)	.087 (2.21)	.860 (21.84)	1.750 (44.45)
14	1.141 (28.98)	.906 (23.01)	.588 (14.94)	.062 (1.57)	.087 (2.21)	.990 (25.15)	1.750 (44.45)
16	1.234 (31.34)	.969 (24.61)	.588 (14.94)	.062 (1.57)	.087 (2.21)	1.110 (28.19)	1.750 (44.45)
18	1.328 (33.73)	1.062 (26.97)	.588 (14.94)	.062 (1.57)	.087 (2.21)	1.235 (31.37)	1.750 (44.45)
20	1.453 (36.91)	1.156 (29.36)	.650 (16.51)	.094 (2.39)	.212 (5.38)	1.330 (33.78)	1.850 (46.99)
22	1.578 (40.08)	1.250 (31.75)	.650 (16.51)	.094 (2.39)	.212 (5.38)	1.455 (36.96)	1.850 (46.99)
24	1.703 (43.26)	1.375 (34.93)	.650 (16.51)	.094 (2.39)	.212 (5.38)	1.580 (40.13)	1.750 (44.45)

Dimensions in inches (mm)



MIL-C-26482, Extended Shell

MS3474 Jam Nut Receptacle

Shell Size	A	B	C	D	E	L
8	.938 (23.83)	1.063 (27.00)	.575 (14.61)	.187 (4.75)	.683 (17.35)	1.870 (47.50)
10	1.063 (27.00)	1.187 (30.15)	.700 (17.78)	.187 (4.75)	.683 (17.35)	1.870 (47.50)
12	1.250 (31.75)	1.346 (34.19)	.825 (20.96)	.187 (4.75)	.683 (17.35)	1.870 (47.50)
14	1.346 (34.19)	1.500 (38.10)	.950 (24.13)	.187 (4.75)	.683 (17.35)	1.870 (47.50)
16	1.500 (38.10)	1.625 (41.28)	1.075 (27.31)	.187 (4.75)	.683 (17.35)	1.870 (47.50)
18	1.625 (41.28)	1.750 (44.45)	1.140 (28.96)	.187 (4.75)	.683 (17.35)	1.870 (47.50)
20	1.812 (46.02)	1.938 (49.23)	1.265 (32.13)	.250 (6.35)	.746 (18.95)	1.970 (50.04)
22	1.938 (49.23)	2.063 (52.40)	1.340 (34.04)	.250 (6.35)	.746 (18.95)	1.970 (50.04)
24	2.063 (52.40)	2.187 (55.55)	1.515 (38.48)	.219 (5.56)	.746 (18.95)	1.970 (50.04)

MS3449 Hermetic Seal Jam Nut Receptacle

Shell Size	A	B	C	D	L
8	.938 (23.83)	1.063 (27.00)	.410 (10.41)	.699 (17.75)	1.750 (44.45)
10	1.063 (27.00)	1.187 (30.15)	.520 (13.21)	.699 (17.75)	1.750 (44.45)
12	1.250 (31.75)	1.346 (34.19)	.630 (16.00)	.699 (17.75)	1.750 (44.45)
14	1.346 (34.19)	1.500 (38.10)	.760 (19.30)	.699 (17.75)	1.750 (44.45)
16	1.500 (38.10)	1.625 (41.28)	.880 (22.35)	.699 (17.75)	1.750 (44.45)
18	1.625 (41.28)	1.750 (44.45)	.980 (24.89)	.699 (17.75)	1.750 (44.45)
20	1.812 (46.02)	1.938 (49.23)	1.110 (28.19)	.762 (19.35)	1.850 (46.99)
22	1.938 (49.23)	2.063 (52.40)	1.230 (31.24)	.762 (19.35)	1.850 (46.99)
24	2.063 (52.40)	2.187 (55.55)	1.390 (35.31)	.762 (19.35)	1.880 (47.75)

MS3475 Straight Plug

Shell Size	A	B	V Thread
8	.782 (19.86)	.590 (14.99)	1/2-20 UNEF-2A
10	.926 (23.52)	.720 (18.29)	5/8-24 UNEF-2A
12	1.043 (26.49)	.840 (21.34)	3/4-20 UNEF-2A
14	1.183 (30.05)	.965 (24.51)	7/8-20 UNEF-2A
16	1.305 (33.15)	1.090 (27.69)	1-20 UNEF-2A
18	1.391 (35.33)	1.145 (29.08)	1 1/16-18 UNEF-2A
20	1.531 (38.89)	1.270 (32.26)	1 3/16-18 UNEF-2A
22	1.656 (42.06)	1.395 (35.43)	1 5/16-18 UNEF-2A
24	1.777 (45.14)	1.520 (38.61)	1 7/16-18 UNEF-2A

Dimensions in inches (mm)



Custom Filtered Connectors

Wire Harnesses

Spectrum Control will add wires to the filtered connector to allow the customer to easily install the connector into the system at a lower cost. These value-added services include adding wires terminated or unterminated to all lines or only select lines, twisted pairs and labeling of wires for easy placement in your system. We can also encapsulate the wires inside the connector providing strength to the total harness.

By contracting Spectrum Control to add the harness assembly, customers are assured the performance of the filtered connector has not been adversely affected. **All of our custom connectors are 100% tested for integrity and effective performance.**

Spectrum's connector manufacturing operators are all certified to MIL-STD-2000 solder specification. We have invested in this certification to provide you with confidence that the quality of our custom construction meets the highest standards in the industry.

Wire Harnesses



Sole Sourced Military Connectors

Many systems being designed today have made use of connectors that are sole sourced items. Examples of these include MIL-C-81511, MIL-C-81703, Airborn and Lemo connectors. We will design and manufacture a custom filtered connector that specifically addresses the requirements of unique applications such as oil and gas drilling/exploration and power generation.

Filtering these unique connectors is accomplished in one of two ways at Spectrum Control. We can add the required filtering to the back of the existing connector and thereby extend the length, or manufacture a new shell and then filter within that shell. This method can be utilized when the cost of the unfiltered connector is prohibitive due to the sole sourced situation in a particular connector series.





Custom Filtered Connectors

Connectors with Complex Schematics

Spectrum Control has the capability to offer filtered connectors with complex schematics such as double L (CLCL), double Pi (CLCLC), double T (LCLCL) filters, or transient voltage suppression devices. These products may be required when the system impedances are mismatched or when an extremely fast rise in insertion loss is needed.

Spectrum Control is experienced in the manufacture of these complex schematics in all of our filter products. Spectrum's engineering facility can use computer models to select the best filter type for the application.

Plastic Commercial Connectors

Many manufacturers in the medical and high reliability commercial markets utilize plastic connectors that subsequently require filtering. Spectrum Control will filter plastic shell connectors.

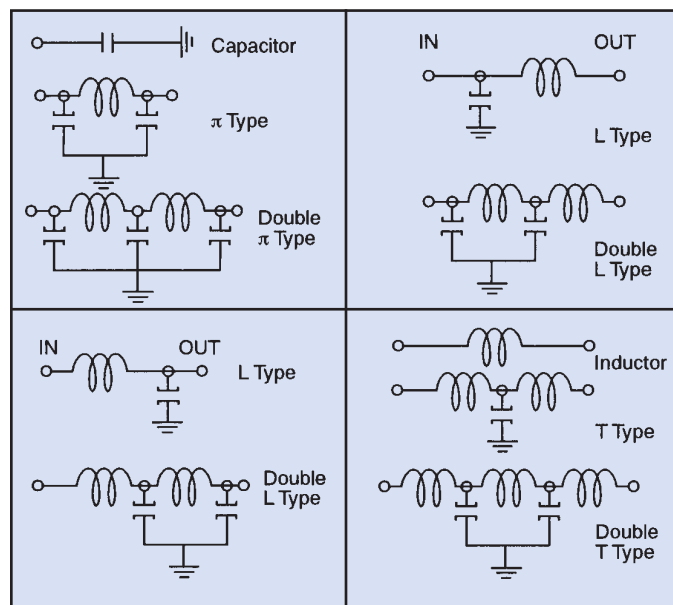
This product requires special manufacturing techniques. The ground path for filtering is achieved either by using one of the connector pins or by adding an external ground strap to the metal collar.

Through the use of lower cost commercial components such as formed terminals, **Spectrum Control will minimize the cost of filtering this type connector.**

Value-added Filtered Connectors

We are often approached by customers who have procured a large quantity of unfiltered connectors for a program and subsequently determined that some need to be filtered. **Instead of scrapping or returning these connectors at a large expense, appropriate EMI filters can be added by Spectrum Control.**

The addition of filters to an existing stock of connectors can provide significant cost savings. In many cases, standard unfiltered connectors are purchased in large volumes at a discounted price. By filtering a small quantity of these standard connectors, customers typically realize total cost savings and a reduced overall lead time.



Plastic Commercial Connectors



Filtered Connectors



Quality Acceptance Test Specifications

All filtered connectors undergo extensive testing to assure that all product meets our high quality expectations. Many of the tests are performed 100% as routine and others are carried out on a sample basis when this is deemed more meaningful.

Visual

The connectors shall be manufactured and processed in a careful and workmanlike manner in accordance with good design and sound practice. All connectors shall be checked 100% to insure dimensions are as shown in this catalog.

Capacitance

Checked on 100% of the contacts per detailed specifications when measured @ 25°C, 1 KHz, 0.1 to 1.0VRMS. On insulated feed-thru lines, the maximum capacitance is 25 pF.

Dissipation factor

4% maximum, checked 100% @ 25°C, 1KHz, 0.1 to 1.0VRMS

Dielectric withstanding voltage

Performed on 100% of the filtered contacts. The test voltage unless otherwise specified will be 2.5 times the working voltage as specified at 25°C. This voltage will be applied for 1 to 5 seconds with the charging current limited to 50 milliamps.

Insulation resistance

Performed on 100% of the filtered contacts at 25°C. The minimum acceptance level will be 1000 megohms at 25°C and 100 megohms at 125°C if required. This test will be carried out in accordance with MIL-STD-202 Method 302, test voltage of 100VDC or at rated voltage whichever is less.

Insertion loss

Performed on a sample quantity of filtered contacts, minimum acceptance levels as specified by typical insertion loss graphs.

Resistance to ground

The RDC on ground lines is 5 milliohms max.

Marking

As a minimum, all connectors shall have the Spectrum part number, date code and logo. Upon request, customer specified marking can be incorporated into the manufacturing cycle.

Special Testing

Spectrum has a fully qualified test laboratory and is willing to provide additional acceptance testing upon customers request, at minimal additional costs.

Minimum Design Specifications

All of the filtered connectors are designed to meet minimum standards shown in table below.

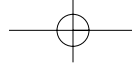
Filtered Connectors

Environmental Performance

Test*	MIL-STD-1344		MIL-STD-202		Comments**
	Method	Condition	Method	Condition	
Vibration	-	-	204	G	30G for 10 to 2000 Cycles
Thermal Shock	-	-	107	A-1	Except Step 3 is +125 degrees C
Immersion	1016	-	104	A	-
Salt Spray	1001	-	101	B	-
Moisture Resistance	1002	II	106	-	Except Step 7
Shock	2004	-	213	I	-
Barometric Pressure	3001	-	105	C	125% rated voltage
Resistance to Solder Heat	-	-	210	B	-
Terminal Strength	-	-	211	A	The applied force shall be 5 lbs.
Contact Resistance	-	-	307	-	.0152 max.
Life	-	-	108	D	1000 hrs.
Durability	-	-	-	-	500 cycles
Solderability	-	-	208	-	-

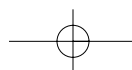
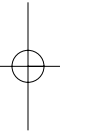
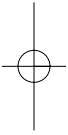
* All tests are performed per applicable MIL spec.

** All parts will meet post test electricals (i.e. dielectric withstanding voltage, insulation resistance, capacitance, insertion loss and visual/mechanical).



SPECTRUM CONTROL INC.
Signal & Power Integrity Group

quietshield™ gaskets & shielding





SPECTRUM CONTROL INC.
Signal & Power Integrity Group

With years of experience in the design and manufacture of filtering and shielding products, Spectrum Control has a unique perspective on EMI and its control. Spectrum Control offers all the products necessary to protect electrical equipment from failures due to EMI.

As part of our broad range of products, Spectrum Control offers a line of shielding products intended to enable the user to seal their electronic enclosure. A variety of products are available including fabric-over-foam, conductive elastomer and wire mesh gaskets.

In combination with our filtering and TVSS products, Spectrum Control can solve EMI problems while providing you with increased design flexibility, reduced time-to-market and peak system performance.

Gaskets & Shielding

Index	Page
Gasket & Shielding Selection Guide...	235
Shielding Theory and Introduction	236
Quietshield Gaskets	237
Quietshield Fabric-over-Foam Gaskets	238-239
Shielding Tapes & Fabric	240
Wire Mesh Gaskets	241
Conductive Elastomers	242
Part Number System	243

ISO 9001
CERTIFIED

Quietshield™ Gaskets & Shielding



www.specemc.com/quietshield



Gaskets & Shielding Selection Guide

	Fabric Over Foam	Waved Metal and Fabric Over Foam	Fabric & Tape	Metal Mesh	Conductive Silicone
					
	<ul style="list-style-type: none"> ■ Low cost ■ Low closure force ■ High shielding effectiveness ■ Multiple fabric plating and core material ■ PSA attachment 	<ul style="list-style-type: none"> ■ Standard D-Sub shapes ■ Improves grounding ■ Improves high frequency attenuation 	<ul style="list-style-type: none"> ■ Low cost ■ High shielding ■ Multiple fabric plating ■ Conductive or nonconductive PSA ■ Sheet or standard widths 	<ul style="list-style-type: none"> ■ Profiles, sheets or gaskets ■ Aluminum, stainless ■ Elastomer core available ■ Excellent heat and corrosion resistance ■ High conductivity 	<ul style="list-style-type: none"> ■ Good shielding ■ Excellent water resistance ■ Control static electric discharge ■ High frequency absorber
Applications	<ul style="list-style-type: none"> ■ Commercial enclosures ■ Electronic cabinets ■ Electrical test units ■ Tempest computers and peripherals 	<ul style="list-style-type: none"> ■ Telecommunications equipment ■ Cellular base stations ■ Secured communications ■ Medical electronics ■ Industrial process equipment ■ Aerospace applications 	<ul style="list-style-type: none"> ■ Commercial enclosures ■ Electrical cabinets ■ Unshielded cables and wires 	<ul style="list-style-type: none"> ■ Electronic enclosures ■ Industrial control 	<ul style="list-style-type: none"> ■ Military equipment ■ Tempest systems ■ Outdoor communications
	<ul style="list-style-type: none"> ■ FED/MIL Approvals UL 94VTM-1, V0 core optional 		<ul style="list-style-type: none"> ■ FED/MIL Approvals UL 94VTM-1, 		
Performance Characteristics	<ul style="list-style-type: none"> ■ Shielding Effectiveness Range/Performance 68-88 dB from 30 MHz to 5 GHz ■ Temperature Range To 200° C ■ Surface Resistance <0.08 ohms ■ Compression Set <5% 	<ul style="list-style-type: none"> ■ Shielding Effectiveness Range/Performance 1 MHz - 5 GHz ■ Temperature Range -55° C to +125° C ■ Compression 80% 	<ul style="list-style-type: none"> ■ Shielding Effectiveness Range/Performance 68-88 dB from 30 MHz to 1 GHz ■ Temperature Range To 200° C ■ Surface Resistance <0.08 ohms ■ Compression <5% 	<ul style="list-style-type: none"> ■ Shielding Effectiveness Range/Performance 1 MHz to 5 GHz ■ Temperature Range -55° C to 200° C ■ Surface Resistance <0.08 ohms ■ Compression Set 15% 	<ul style="list-style-type: none"> ■ Shielding Effectiveness Range/Performance 60 dB at 30 MHz to 1 GHz ■ Temperature Range -55° C to 200° C ■ Surface Resistance 5 -10 ohms-cm ■ Elongation % 240%



Shielding Theory and Introduction

Shielding Theory

Electromagnetic shielding is used to prevent electromagnetic signals such as radio signals from leaving or entering a box or enclosure. Signals inadvertently emitted by an electronic device can cause distortion or interruption in normal radio communications in a localized area. This is the basis of most laws and regulations concerning electromagnetic interference. In addition, normal radio signals can cause unprotected electronic devices to malfunction. Depending on the device's function, a malfunction in the device could be a minor inconvenience such as static on a radio, or life threatening such as the malfunction of a life support system at a hospital.

The shield will continue to function as long as there are no holes in the electromagnetic shield which would allow the currents to flow from one side of the shield to the other. Holes are a necessity in an electronic enclosure. Connectors, wires, and cables are needed to transmit information to and from electronic devices. Doors and covers are needed to get access to components to maintenance, service, and keypads may also be required. The problem is that all of these items cause openings in the shield which reduce the performance of the shield.

Special devices such as shielding gaskets, shielding ventilation panels, shielded filtered connectors, and shielded switches minimize the effect of a hole in the shield.

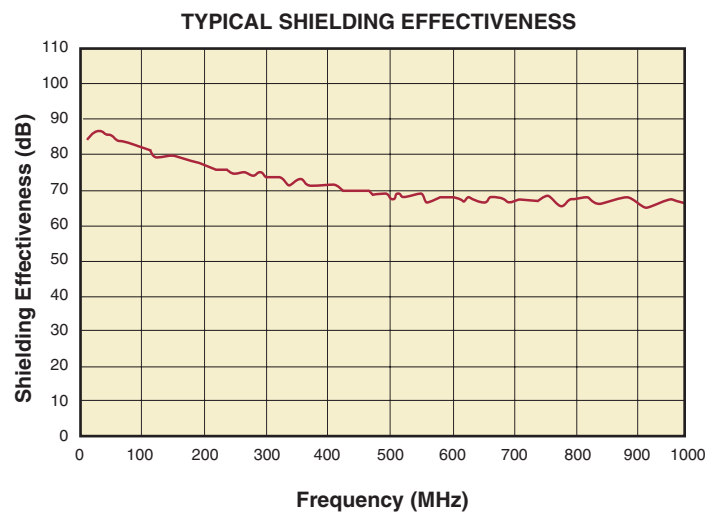
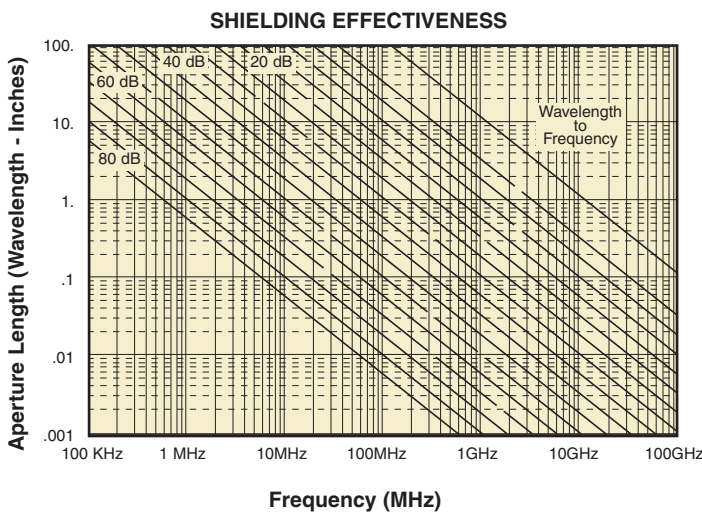
Introduction

The electromagnetic shield in most cases is the electronic housing itself. The housing/shield forms a metal cage around the electronic circuits in a device. Most of the electromagnetic signal is absorbed with a small portion (3 to 10 dB) of the signal reflected off the metal housing. Most of the absorbed signal creates alternating currents at radio frequencies which travels on the surface of metal. This allows the electromagnetic shield to keep signals from outside the enclosure on the outside of the shield and signals from inside signals on the inside of the shield.

The length of the hole and wavelength of the signal that needs to be shielded are the major factors determining the shielding effectiveness of an electronic enclosure. The distance between spotwelds, or screws which hold a metal housing together count as long narrow holes. Higher frequencies (lower wavelengths) flow more easily through smaller holes, and so the highest frequency needed to be shielded is the frequency of concern when designing shielding.

Aperture versus frequency charts can give a rough estimate of the shielding effectiveness of a metallic electronic housing.

Gaskets & Shielding



Test Methods: ASTM D-4935-89
Test Fixture: Flanged coaxial transmission line



Quietshield™ Fabric-over-Foam Gaskets

Features

- Maintain shielding effectiveness across seams or gaps
- Shielding Effectiveness (SE) of 70 - 100 dB between 1 MHz to 18 GHz
- Flexible and conformable
- No creasing or tearing
- Lightweight material

Profile Gaskets

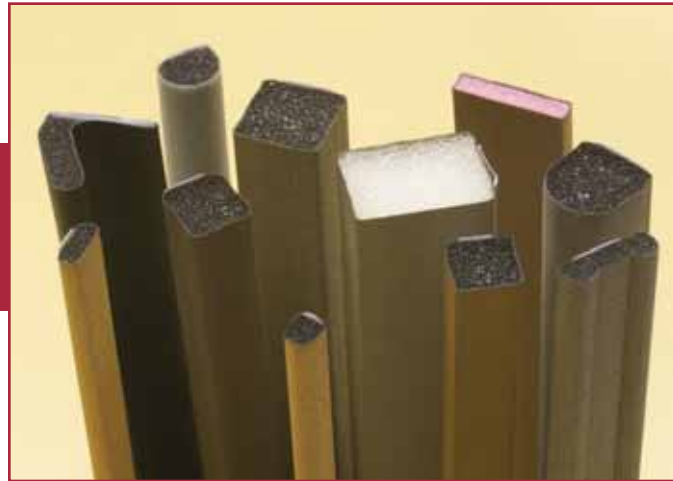
Quietshield EMI/RFI Gaskets maintain shielding effectiveness (SE) across a seam or gap in the electronic equipment's shielding material.

Quietshield gaskets provide unique solutions to your most stringent shielding, grounding, ESD and packaging requirements. It's the cost-effective avenue for creativity in design. These gaskets consist of polyurethane foam combined with highly conductive fabrics. Specially designed polyurethane foam is soft, resilient and provides the perfect fit. Our gaskets are made with seven different types of fabric plating and two types of thermal adhesive, standard or flame retardant. Our flame retardant adhesive complies with UL94VTM-1 and VTM-0. If necessary, the polyurethane foam core can also be plated with Cu and Ni to provide additional conductivity.

Fabric-over-Foam Gaskets, unlike elastomer or finger strip gaskets, provide softness for easy application with a variety of materials and designs at low cost. The best quality with high conductivity, low electrical resistance and minimum oxidation can be achieved by using gold gaskets with additional gold plating to provide superior shielding.

Profile gaskets are currently available in a variety of shapes and lengths. Spectrum Control's gaskets provide a variety of applications with lightweight and flexible solutions. Various thicknesses and shapes are available. These range from commonly used ones such as rectangular and "D" shape, to uncommon ones such as FL-shape (folding leaf) and DD-shape (Double DD-shape). We are able to produce gaskets with different shapes and sizes, based upon the customer's requests.

The mounting style available for most profile gaskets is pressure sensitive adhesive. These adhesives allow simple place and press mounting on smooth and clean metal surfaces. The parts can be cut to the desired length with common scissors or ordered to the exact length required. The adhesive provides high strength with aggressive initial tack, which increases in strength over time or after exposure to elevated temperatures.



I/O Gaskets

Spectrum Control offers a complete line of standard and custom I/O connector Electromagnetic Shielding Gaskets. I/O gaskets are flat gaskets used to provide a ground contact between a metal connector and the electronic enclosure or mating connector. They insure that the shield remains continuous from the input/output cable to the electronic enclosure.

I/O Gaskets are available in the same materials as the fabric-over-foam profile gaskets, or as all-metal waved gaskets.

Spectrum Control's line of metal waved gaskets is designed to minimize the gaps between a D-Sub connector and the panel it is mounted to. These gaskets ensure the maximum "gap length" will not exceed the wave pitch, 0.200" (5.08 MM), even on surfaces with poor flatness. This ensures maximum filter performance to 1GHz and beyond.

Test	Performance
Shielding Effectiveness*	68 dB - 88 dB
Composition (STD)	Woven
Plating (STD)	Copper and Nickel
Temperature Limit	200°C
Abrasion Resistance	Good
Electric Resistance	<0.08 Ohm
Flamability Rating**	94VTM-1, V0 Grade
Shelf Life***	20 years

* Provides shielding effectiveness of 68 dB min. between 30 MHz to 1 GHz, this will vary slightly depending on fabric type.

** Rubber rating only.

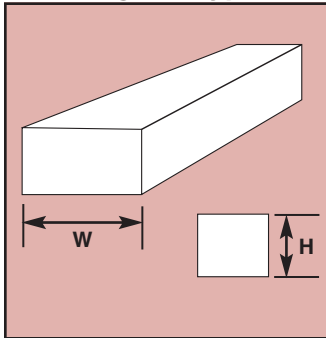
*** Fabric over foam gaskets.



Quietshield™ Fabric-over-Foam Profile Gaskets

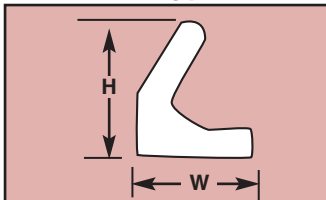
Gaskets & Shielding

Rectangular Type "R"



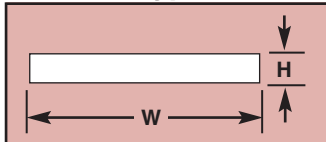
W	H	Part Number
1.000	0.374	57R121C037-xxxx
0.118	0.079	57R1211208-xxxx
0.154	0.118	57R1211512-xxxx
0.158	0.079	57R1211608-xxxx
0.158	0.158	57R1211616-xxxx
0.130	0.189	57R1211913-xxxx
0.197	0.197	57R1212020-xxxx
0.252	0.126	57R1212512-xxxx
0.315	0.472	57R1213247-xxxx
0.374	0.126	57R1213713-xxxx
0.374	0.374	57R1213737-xxxx
0.394	0.394	57R1213939-xxxx
0.102	0.400	57R1214012-xxxx
0.394	0.236	57R1214022-xxxx
0.488	0.370	57R1214937-xxxx
0.500	0.126	57R1215013-xxxx
0.252	0.500	57R1215025-xxxx
0.500	0.500	57R1215050-xxxx
0.512	0.118	57R1215112-xxxx
0.512	0.394	57R1215140-xxxx
0.984	0.394	57R1219839-xxxx

C-Fold Type "C"



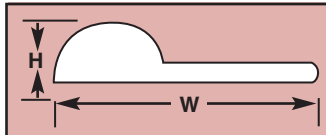
W	H	Part Number
0.295	0.138	57L1213014-xxxx
0.315	0.315	57L1213232-xxxx
0.394	0.394	57L1213939-xxxx
0.421	0.386	57L1214339-xxxx
0.681	0.591	57L1216859-xxxx

Flat Type "R"



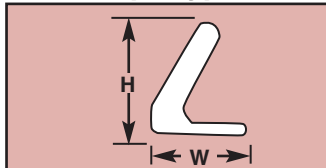
W	H	Part Number
0.118	0.039	57R1211204-xxxx
0.158	0.031	57R1211603-xxxx
0.158	0.035	57R1211604-xxxx
0.158	0.039	57R1211604-xxxx
0.158	0.047	57R1211605-xxxx
0.197	0.020	57R1212002-xxxx
0.197	0.039	57R1212004-xxxx
0.197	0.047	57R1212005-xxxx
0.197	0.059	57R1212006-xxxx
0.197	0.071	57R1212007-xxxx
0.236	0.039	57R1212404-xxxx
0.236	0.059	57R1212406-xxxx
0.276	0.020	57R1212802-xxxx
0.276	0.039	57R1212804-xxxx
0.276	0.047	57R1212805-xxxx
0.276	0.059	57R1212806-xxxx
0.276	0.071	57R1212807-xxxx
0.299	0.063	57R1213006-xxxx
0.315	0.031	57R1213203-xxxx
0.315	0.039	57R1213204-xxxx
0.354	0.039	57R1213604-xxxx
0.394	0.020	57R1214002-xxxx
0.394	0.039	57R1214004-xxxx
0.394	0.047	57R1214005-xxxx
0.394	0.071	57R1214007-xxxx
0.472	0.039	57R1214704-xxxx
0.472	0.059	57R1214706-xxxx
0.512	0.028	57R1215103-xxxx
0.512	0.035	57R1215104-xxxx
0.512	0.059	57R1215106-xxxx
0.551	0.059	57R1215506-xxxx

P-Shape Type "P"



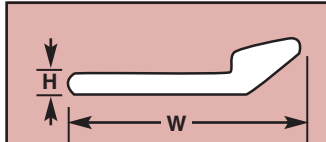
W	H	Part Number
0.315	0.079	57P1213208-xxxx
0.520	0.130	57P1215216-xxxx

L-Shape Type "L"



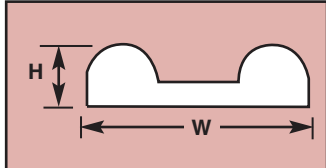
W	H	Part Number
0.430	0.395	57L1214339-7200
0.433	0.433	57L1214343-7200
0.551	0.591	57L1215559-7200
0.578	0.673	57L1215767-7200

Knife Edge Type "K"



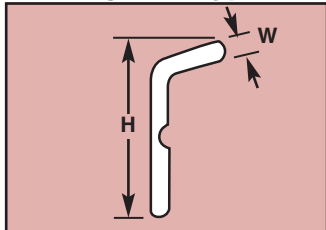
W	H	Part Number
0.492	0.138	57K1214914-xxxx
0.500	0.094	57K1215009-xxxx
0.500	0.098	57K1215010-xxxx
0.752	0.252	57K1217525-xxxx

Double D-Shape "V"



W	H	Part Number
0.378	0.126	57V1213813-xxxx

Folding Leaf Type "U"



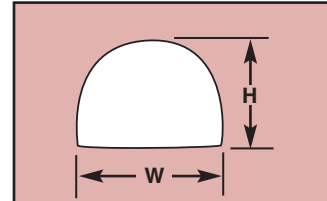
W	H	Part Number
0.709	0.311	57U1217131-xxxx

Round Type "O"

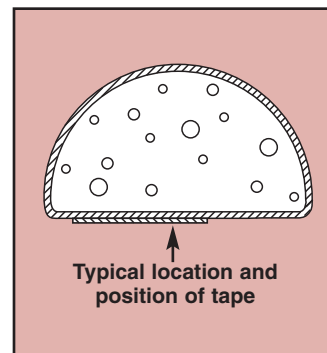


W	Part Number
0.098	57O1211010-xxxx
0.106	57O1211111-xxxx
0.126	57O1211313-xxxx
0.177	57O1211818-xxxx
0.197	57O1212020-xxxx
0.347	57O1213535-xxxx
0.394	57O1213939-xxxx
0.433	57O1214343-xxxx

D-Shape "D"



W	H	Part Number
0.090	0.091	57D1210909-xxxx
0.091	0.126	57D1210912-xxxx
0.102	0.126	57D1211012-xxxx
0.118	0.079	57D1211208-xxxx
0.118	0.138	57D1211214-xxxx
0.150	0.059	57D1211506-xxxx
0.150	0.118	57D1211512-xxxx
0.158	0.157	57D1211616-xxxx
0.197	0.197	57D1212020-xxxx
0.236	0.079	57D1212408-xxxx
0.236	0.177	57D1212418-xxxx
0.236	0.197	57D1212420-xxxx
0.236	0.217	57D1212422-xxxx
0.252	0.118	57D1212512-xxxx
0.256	0.134	57D1212514-xxxx
0.256	0.197	57D1212520-xxxx
0.315	0.394	57D1213240-xxxx
0.354	0.118	57D1213512-xxxx
0.354	0.126	57D1213513-xxxx
0.374	0.236	57D1213725-xxxx
0.386	0.252	57D1213925-xxxx
0.394	0.157	57D1213916-xxxx
0.394	0.177	57D1213918-xxxx
0.394	0.197	57D1213920-xxxx
0.394	0.217	57D1213922-xxxx
0.394	0.236	57D1213924-xxxx
0.394	0.276	57D1213928-xxxx
0.394	0.295	57D1213930-xxxx
0.394	0.394	57D1213939-xxxx
0.433	0.138	57D1214314-xxxx
0.433	0.177	57D1214318-xxxx
0.433	0.217	57D1214322-xxxx
0.709	0.551	57D1217155-xxxx
0.709	0.787	57D1217177-xxxx
0.709	0.906	57D1217191-xxxx



NOTE: All dimensions in inches



Quietshield™ Fabric-over-Foam & Waved Metal I/O Gaskets



Specifications

Material Beryllium Copper, CA 172 (per QQ-C-533)

Finish STD: Electro tin plate, 100 micro inches (per MIL-T-10727)

For RoHS: Nickel - change last 2 p/n digits to - NI
For Hi-Rel: Gold - change last 2 p/n digits to - AU

Material

Thickness005" (.13mm) compressed

Wave

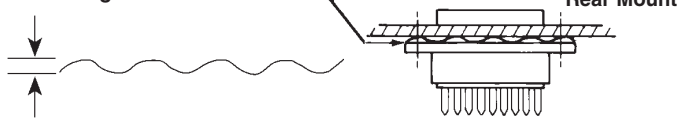
Height030"+.020/-.015 (.76+.51/-.38mm)

Length increase

when flattened 0.008" (.20mm) per inch

Waved Metal Grounding/Shielding Gasket (shown in free state)

Wave Height



Waved Metal Gaskets (Select part number by filling in "xxx": 572019-00xxx-70)

Mounting: Front mounted pin or socket connector, rear mounted pin connector.									
Shell Size	A ±.020 (0.51)	B ±.020 (0.51)	C ±.020 (0.51)	D ±.020 (0.51)	E ±.005 (0.13)	"XXX"			
9	1.213 (30.81)	.984 (24.99)	.777 (19.74)	.600 (15.24)	.440 (11.18)	100			
15	1.541 (39.14)	1.312 (33.32)	1.105 (28.07)	.600 (15.24)	.440 (11.18)	101			
25	2.088 (53.04)	1.852 (47.04)	1.645 (41.78)	.600 (15.24)	.440 (11.18)	102			
37	2.729 (69.32)	2.500 (63.50)	2.293 (58.24)	.600 (15.24)	.440 (11.18)	103			
50	2.635 (66.93)	2.406 (61.11)	2.190 (55.63)	.710 (18.03)	.550 (13.97)	104			
Mounting: Rear mounted socket connectors only.									
Shell Size	A ±.020 (0.51)	B ±.020 (0.51)	C ±.020 (0.51)	D ±.020 (0.51)	E ±.005 (0.13)	F ±.005 (0.13)	G ±.020 (0.51)	"XXX"	
9	1.213 (30.81)	.984 (24.99)	.450 (11.43)	.660 (16.76)	.324 (8.23)	.360 (9.14)	.600 (15.24)	105	
15	1.541 (39.14)	1.312 (33.32)	.670 (17.02)	.988 (25.10)	.324 (8.23)	.360 (9.14)	.600 (15.24)	106	
25	2.088 (53.04)	1.852 (47.04)	1.110 (28.19)	1.528 (38.81)	.324 (8.23)	.360 (9.14)	.600 (15.24)	107	
37	2.729 (69.32)	2.500 (63.50)	1.550 (39.37)	2.176 (55.27)	.324 (8.23)	.360 (9.14)	.600 (15.24)	108	
50	2.635 (66.93)	2.406 (61.11)	1.550 (39.37)	2.082 (52.88)	.436 (11.07)	.470 (11.94)	.710 (18.03)	109	

Gaskets & Shielding

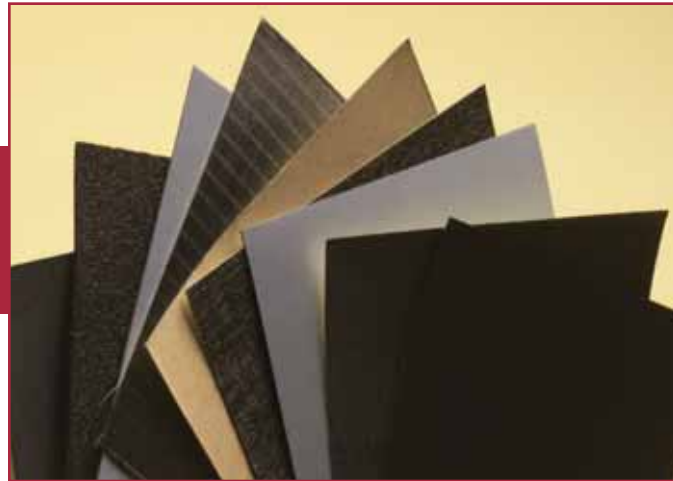
Fabric-over-Foam I/O Gaskets

Shell Size	Thickness	Dimensions					Fabric Type	Part Number	
		A	B	C	D	E			
1	0.012	0.746 (18.95)	1.213 (30.81)	0.984 (24.99)	0.400 (10.16)	0.750 (19.05)	nonwoven	57F01-D112-1275	
	0.040								
	0.070								
2	0.012	1.074 (27.28)	1.541 (39.14)	1.312 (33.32)	0.400 (10.16)	0.750 (19.05)	nonwoven	57F01-D212-1575	
	0.040								
	0.070								
3	0.012	1.614 (41.00)	2.088 (53.04)	1.852 (47.04)	0.400 (10.16)	0.750 (19.05)	nonwoven	57F01-D312-2075	
	0.040								
	0.070								
4	0.012	2.266 (57.56)	2.720 (69.09)	2.500 (63.50)	0.400 (10.16)	0.750 (19.05)	nonwoven	57F01-D412-2775	
	0.040								
	0.070								
5	0.012	2.158 (54.81)	2.63 (66.80)	2.406 (61.11)	0.500 (12.70)	0.850 (21.59)	nonwoven	57F01-D512-2685	
	0.040								
	0.070								

Dimensions in inches (mm)



Shielding Tapes & Fabric



Flexible and lightweight tapes provide easy installation and high conductivity and low electrical resistance provide a good shielding effect. Our products use stronger pressure sensitive adhesive to provide better adhesion. Standard widths are 1", 2", 3" and 42". Standard roll lengths are 200'.

Spectrum Control's conductive tapes consist of conductive fabric and adhesive which can be either conductive or non-conductive. Conductive tapes come in various types: conductive fabric tapes, Cu/Al foil tapes and double side conductive adhesive tapes. Anti-corrosion coating is done on foil tapes and flame retardant coating is available, which complies with UL94VTM-1 and VTM-0.

Styles

- Non-woven polyester taffeta
- Conductive woven polyester taffeta
- Woven ripstop
- Woven DTY filament
- Mesh
- Aluminum foil
- Copper foil

Gaskets & Shielding

Material	Plating	Weight (lb/sf)	Weight (g/sm)	Thickness (mm)	Tensile Strength (Kgf)	Surface Resistance (ohm/sq)	Shielding Effectiveness (min dB)	Part Number
Conductive Woven	Cu/Ni	0.015566	76.0	0.08	38.0	0.20	58	57T1A14200-XXXX
Conductive Woven	Cu/Ni/Au	0.005325	26.0	0.10	29.0	0.06	72	57T1A24200-XXXX
Conductive Woven	Cu/Ni/Fe	0.016385	80.0	0.10	32.0	0.06	63	57T1A64200-XXXX
Conductive Woven	Cu/Ni/Ag	0.015975	78.0	0.10	32.0	0.06	67	57T1A34200-XXXX
Conductive Woven	Cu/Ni/Resin	0.016385	80.0	0.11	32.0	0.06	78	57T1A44200-XXXX
Conductive Rip-Stop	Cu/Ni	0.014951	73.0	0.09	39.0	0.08	62	57T2A14200-XXXX
Conductive Rip-Stop	Cu/Ni/Ag	0.015566	76.0	0.10	34.0	0.06	78	57T2A34200-XXXX
Conductive Rip-Stop	Cu/Ni/Fe	0.014951	73.0	0.09	33.0	0.06	63	57T2A64200-XXXX
Conductive Rip-Stop	Cu/Ni/Resin	0.014951	73.0	0.09	34.0	0.06	68	57T2A44200-XXXX
Conductive Non-Woven	Cu/Ni	0.013927	68.0	0.16	10.0	0.08	72	57T0A14206-XXXX
Conductive Non-Woven	Cu/Ni	0.024372	119.0	0.32	21.0	0.06	80	57T0A14201-XXXX
Conductive Non-Woven	Cu/Ni	0.024577	120.0	0.43	30.0	0.06	83	57T0A14202-XXXX
Conductive Mesh	Cu/Ni	0.005120	25.0	0.08	18.0	0.20	52	57T4014200-XXXX
Conductive Mesh	Cu/Ni/Resin	0.005523	27.0	0.08	19.0	0.10	53	57T4044200-XXXX
Conductive Mesh	Cu/Ni/Au	0.003072	15.0	0.08	17.0	0.10	57	57T4034200-XXXX
Aluminum				0.08		0.05		57T7A-4200-XXXX
Aluminum				0.08		0.07		57T7C-4200-XXXX
Copper				0.80		0.02		57T8A-4200-XXXX



Wire Mesh Gaskets

Spectrum Control's mesh gaskets include all mesh gaskets and elastomer core mesh gaskets.

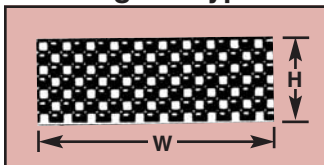
Layers of knitted wire are covered over the wire core in Spectrum Control's all mesh gaskets. Using its electrical conductivity, they are used between two surfaces to maintain electrical continuity while shielding electromagnetic waves. They offer good resilience and excellent heat and corrosion resistance. Any types of metal can be used to produce mesh gaskets but common materials used are aluminum, stainless steel and monel.



Spectrum Control's elastomer core mesh gaskets are composed of wire mesh over elastomer core. Both these materials provide excellent shielding effects creating the maximum outcome. Both All mesh gaskets and Elastomer core mesh gaskets can be produced with different types of materials and also in many different forms.

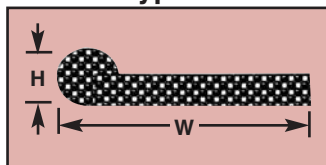
All Mesh Gaskets - Structure

Rectangular Type "R"



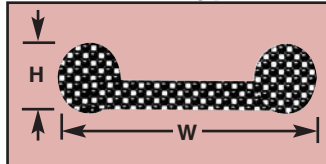
W	H	Part Number
0.138	0.059	57R40-1406-xxxx
0.142	0.098	57R40-1410-xxxx
0.181	0.102	57R40-1810-xxxx
0.197	0.118	57R40-2012-xxxx
0.189	0.189	57R40-2020-xxxx
0.236	0.118	57R40-2412-xxxx
0.252	0.063	57R40-2506-xxxx
0.256	0.177	57R40-2618-xxxx
0.354	0.118	57R40-3512-xxxx

P-Type "P"



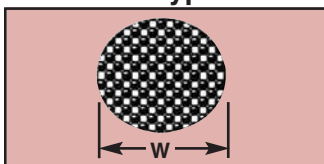
W	H	Part Number
0.138	0.512	57P40-1451-xxxx
0.138	0.638	57P40-1464-xxxx
0.138	0.795	57P40-1478-xxxx
0.205	0.516	57P40-2152-xxxx
0.205	0.768	57P40-2177-xxxx
0.264	0.764	57P40-2626-xxxx

Double P-Type "V"



W	H	Part Number
0.138	0.386	57V40-1439-xxxx
0.138	0.512	57V40-1451-xxxx
0.138	0.638	57V40-1464-xxxx
0.205	0.642	57V40-2164-xxxx
0.205	0.768	57V40-2177-xxxx
0.205	1.016	57V40-2100-xxxx
0.264	0.638	57V40-2669-xxxx
0.264	0.764	57V40-2676-xxxx
0.264	1.012	57V40-2600-xxxx

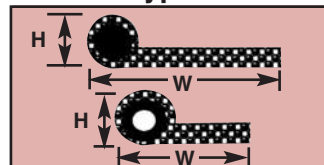
Round Type "O"



W	Part Number
0.039	57O40-0404-xxxx
0.059	57O40-0606-xxxx
0.079	57O40-0808-xxxx
0.102	57O40-1010-xxxx
0.138	57O40-1414-xxxx
0.157	57O40-1616-xxxx
0.185	57O40-1919-xxxx
0.217	57O40-2222-xxxx
0.307	57O40-3131-xxxx
0.362	57O40-3636-xxxx

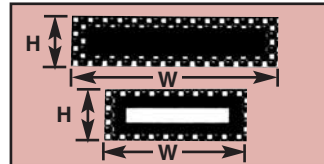
Elastomer Core Mesh Gaskets

P-Type "P"



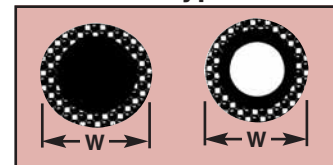
W	H	Part Number
0.138	0.512	57P46-1451-xxxx
0.138	0.638	57P46-1464-xxxx
0.138	0.795	57P46-1480-xxxx
0.205	0.516	57P46-2152-xxxx
0.205	0.768	57P46-2177-xxxx
0.264	0.764	57P46-2676-xxxx

Rectangular Type "R"



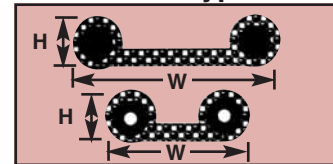
W	H	Part Number
0.138	0.059	57R46-1406-xxxx
0.142	0.098	57R46-1410-xxxx
0.181	0.102	57R46-1810-xxxx
0.189	0.189	57R46-1919-xxxx
0.197	0.118	57R46-2012-xxxx
0.236	0.118	57R46-2412-xxxx
0.252	0.063	57R46-2506-xxxx
0.256	0.157	57R46-2616-xxxx
0.256	0.177	57R46-2618-xxxx
0.354	0.118	57R46-3512-xxxx

Round Type "O"



W	Part Number
0.039	57O46-0404-xxxx
0.059	57O46-0606-xxxx
0.079	57O46-0808-xxxx
0.102	57O46-1010-xxxx
0.138	57O46-1414-xxxx
0.157	57O46-1616-xxxx
0.185	57O46-1919-xxxx
0.217	57O46-2222-xxxx
0.307	57O46-3131-xxxx
0.362	57O46-3636-xxxx

Double P-Type "V"



W	H	Part Number
0.138	0.386	57V46-1439-xxxx
0.138	0.512	57V46-1451-xxxx
0.138	0.638	57V46-1464-xxxx
0.205	1.016	57V46-2100-xxxx
0.205	0.642	57V46-2164-xxxx
0.205	0.768	57V46-2177-xxxx
0.264	1.012	57V46-2600-xxxx
0.264	0.638	57V46-2669-xxxx
0.264	0.764	57V46-2676-xxxx

NOTE: All dimensions in inches



Conductive Elastomers

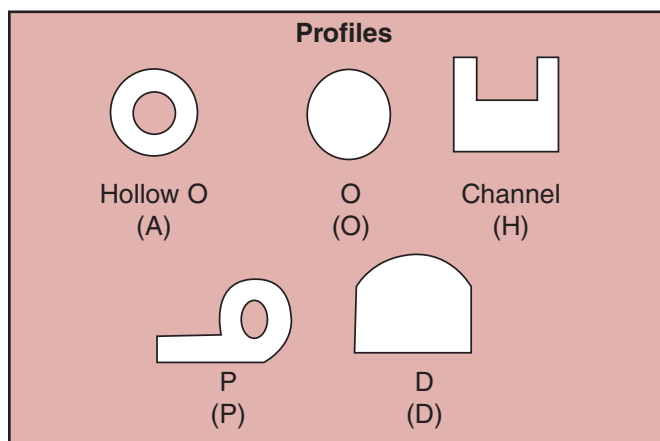
Spectrum Control's conductive elastomers are composed of silicon rubber using its heat resistant property. Unique features of conductive elastomers include water resistance and elimination of static electricity, which is different from general foam gaskets. It also acts as an absorber at high frequency showing 60dB shielding at 30MHz ~ 10GHz.

Excellent electrical conductivity, grounding and shielding are provided. Due to its superior properties conductive elastomers are often used in military equipment. They can be produced in many forms such as sheets, molded parts, die-cuts or strips.



Typical Properties of Silicone Gaskets

Material	Conductive Silicone (Rubber) Gasket
Hardness Shore Micro	97-5
Volume Resistivity ohms	5-10
Elongation %	240
Tensile Strength Mpa	4.43
Tear Resistance KN/m	10.4
Texture and Color	Black or Beige
Specific Gravity	1.39
Temperature Range	-55 to +200



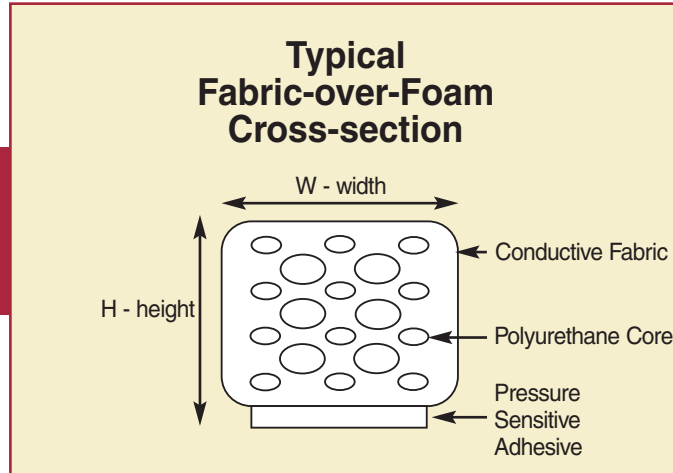
Gaskets & Shielding

Part Number	ID Size	OD Size	Type	Profile
57A99-0606-xxxx	0.019	0.059	Hollow	A
57A99-0909-xxxx	0.039	0.091	Hollow	A
57A99-2828-xxxx	0.196	0.276	Hollow	A
57D98-2525-xxxx	W:0.250	H:0.250	D-Tubing	D
57H98-3022-xxxx	W:0.295	H:0.217	Channel	H
57O98-1414-xxxx		0.138	O-Profile	O
57P98-9830-xxxx	W:0.984	H:0.295	P-Shape	P

NOTE: All dimensions in inches



Quietshield™ Gaskets Part Numbers



5 7 D 1 2 1 1 2 0 5 - 7 2 0 0

Gaskets

Shapes/Styles

D, R, L, P, C, K, O, V, U — Fabric-over-Foam
R, P, O, V — Mesh
A, D, H, J, P, O, P, Z — Conductive Elastomer
F — Formed/Stamped
T — Tape/Foil/Fabric
S — Special

Fabric/Foil

0 — Non-woven
1 — Woven
2 — Woven Ripstop
3 — Woven DTY Filament
4 — Mesh
5 — Net
6 — Knit
7 — Aluminum Foil
8 — Copper Foil
9 — None

Material

0 — None
1 — Foam neoprene, no PSA
2 — Foam neoprene, conductive PSA
3 — Foam neoprene, non-conductive PSA
4 — Solid
5 — Sponge
6 — Silicone
7 — Hollow silicone
8 — Conductive elastomer
9 — Hollow conductive elastomer
A — No core, conductive PSA one side
B — No core, non-conductive PSA one side
C — No core, conductive PSA double side
D — No core, non-conductive PSA double side
E — Monel mesh with silicone sponge
F — Al wire with silicone sponge
G — No core, conductive, no PSA
H — Monel mesh solid
Z — Z-foam
Note: PSA = pressure sensitive adhesive

Plating

1 — Copper - Nickel (**std**)
2 — Copper - Nickel - Gold
3 — Copper - Nickel - Silver
4 — Copper - Nickel - Resin
5 — Copper - Nickel - P.S. Coating
6 — Iron - Copper - Nickel
7 — Copper - Nickel - Carbon
8 — Silver - Copper
9 — Ni - Graphite
0 — None
- — Nickel - silver

Length

Length (ex: -1205 = 12.05)
[Standard is 36 (-3600)]
Custom part number for special application (-X001)
X must be the first character

Height/Thickness

Profiles — thickness in inches
I/O — height in inches

Width or Type & Size

Profiles — width in inches
I/O — first digit is I/O Type (D, d-sub)
second digit is shell size (1, 2, 3, 4, or 5)

Ordering Information

Example: 57D1211205 - 7200

The part number shown represents a foam-over-fabric gasket with woven foam made of neoprene, conductive PSA. The gasket has copper-nickel plating that is 0.120" wide x 0.050" thick x 72" long.

Sample Kit

Quietshield sample kits are available from Spectrum Control Inc. Order number KIT-QSHIELD-57.

Gaskets & Shielding



Military Cross Reference Qualified Components

MIL-F-15733

Military Designation MIL-F-15733	Spectrum Part Number	Military Designation MIL-F-15733	Spectrum Part Number	Military Designation MIL-F-15733	Spectrum Part Number
/23-0001	51-390-001	/23-0059	51-390-319	/26-0009	51-311-313
/23-0002	51-390-002	/23-0060	51-390-320	/26-0010	51-353-081
/23-0003	51-390-003	/24-0001	51-353-064	/26-0011	51-311-314
/23-0004	51-390-004	/24-0002	51-353-065	/26-0012	51-351-604
/23-0005	51-390-301	/24-0003	51-444-049	/26-0013	51-444-043
/23-0006	51-390-302	/24-0004	51-444-050	/26-0014	51-353-424
/23-0007	51-390-005	/24-0005	51-353-066	/26-0015	51-444-044
/23-0008	51-390-006	/24-0006	51-353-067	/26-0016	51-444-045
/23-0009	51-390-007	/24-0007	51-444-051	/26-0017	51-311-358
/23-0010	51-390-008	/24-0008	51-444-060	/26-0018	51-444-046
/23-0011	51-390-303	/24-0009	51-353-068	/26-0019	51-444-047
/23-0012	51-390-304	/24-0010	51-353-069	/26-0020	51-351-625
/23-0013	51-390-009	/24-0011	51-353-070	/26-0021	51-311-359
/23-0014	51-390-010	/24-0012	51-353-071	/26-0022	51-444-048
/23-0015	51-390-011	/24-0013	51-353-072	/26-0023	51-311-360
/23-0016	51-390-012	/24-0014	51-353-073	/26-0024	51-351-626
/23-0017	51-390-305	/24-0015	51-353-074	/27-0001	51-320-013
/23-0018	51-390-306	/24-0016	51-353-075	/27-0002	51-320-014
/23-0019	51-390-013	/24-0017	51-444-052	/27-0003	51-323-313
/23-0020	51-390-014	/24-0018	51-444-053	/27-0004	51-321-312
/23-0021	51-390-015	/24-0019	51-444-054	/27-0005	51-320-015
/23-0022	51-390-016	/24-0020	51-444-055	/27-0006	51-320-016
/23-0023	51-390-307	/24-0021	51-444-056	/27-0007	51-323-314
/23-0024	51-390-308	/24-0022	51-444-057	/27-0008	51-320-017
/23-0025	51-390-017	/24-0023	51-444-058	/27-0009	51-320-018
/23-0026	51-390-018	/24-0024	51-444-059	/27-0010	51-321-313
/23-0027	51-390-019	/25-0001	51-353-052	/27-0011	51-323-003
/23-0028	51-390-020	/25-0002	51-311-308	/27-0012	51-323-004
/23-0029	51-390-309	/25-0003	51-353-053	/27-0013	51-321-314
/23-0030	51-390-310	/25-0004	51-311-309	/27-0014	51-322-009
/23-0031	51-390-021	/25-0005	51-353-054	/27-0015	51-322-010
/23-0032	51-390-022	/25-0006	51-311-310	/27-0016	51-321-606
/23-0033	51-390-023	/25-0007	51-382-603	/27-0017	51-321-607
/23-0034	51-390-024	/25-0008	51-353-055	/27-0018	51-321-608
/23-0035	51-390-311	/25-0009	51-353-056	/27-0019	51-320-019
/23-0036	51-390-312	/25-0010	51-311-311	/27-0020	51-320-020
/23-0037	51-390-025	/25-0011	51-353-057	/27-0021	51-323-315
/23-0038	51-390-026	/25-0012	51-382-604	/27-0022	51-321-315
/23-0039	51-390-027	/25-0013	51-444-037	/27-0023	51-321-609
/23-0040	51-390-028	/25-0014	51-311-354	/27-0026	54-310-040
/23-0041	51-390-313	/25-0015	51-444-038	/28-0001	51-712-014
/23-0042	51-390-314	/25-0016	51-311-355	/28-0002	51-712-028
/23-0043	51-390-029	/25-0017	51-444-039	/28-0003	Superseded by /61-0014
/23-0044	51-390-030	/25-0018	51-311-356		
/23-0045	51-390-031	/25-0019	51-382-608	/28-0004	51-712-060
/23-0046	51-390-032	/25-0020	51-444-040	/33-0001	51-707-006
/23-0047	51-390-315	/25-0021	51-444-041	/33-0002	51-707-007
/23-0049	51-390-033	/25-0022	51-311-357	/34-0001	51-322-016
/23-0050	51-390-034	/25-0023	51-444-042	/34-0002	51-322-017
/23-0051	51-390-035	/25-0024	51-382-609	/34-0003	51-311-327
/23-0052	51-390-036	/26-0001	51-353-076	/34-0004	51-321-328
/23-0053	51-390-317	/26-0002	51-353-336	/34-0005	51-321-329
/23-0054	51-390-318	/26-0003	51-353-077	/34-0006	51-321-330
/23-0055	51-390-037	/26-0004	51-353-078	/34-0007	51-353-207
/23-0056	51-390-038	/26-0005	51-311-312	/34-0008	51-353-208
/23-0057	51-390-039	/26-0006	51-353-079	/34-0010	51-311-007
/23-0058	51-390-040	/26-0007	51-353-080	/34-0011	51-320-058
		/26-0008	51-351-603	/34-0013	51-320-060

Appendix



Military Cross Reference Qualified Components

MIL-F-15733 (cont'd)

Military Designation MIL-F-15733	Spectrum Part Number
/34-0014	51-311-340
/34-0015	51-444-005
/34-0016	51-444-105
/34-0017	51-444-016
/34-0018	51-444-106
/34-0020	51-320-061
/34-0021	51-320-062
/34-0029	51-320-063
/34-0030	51-444-027
/34-0031	51-321-391
/34-0035	54-370-030
/34-0036	54-370-033
/34-0037	54-310-039
/38-0001	51-343-018
/38-0002	51-343-028
/38-0003	51-353-422
/38-0004	51-359-021
/38-0005	51-359-024
/38-0006	51-343-034
/38-0008	51-359-050
/39-0001	51-353-148
/39-0002	51-353-149
/39-0003	51-353-150
/39-0004	51-353-151
/39-0005	51-353-152
/39-0006	51-353-153
/39-0007	51-353-154
/39-0008	51-353-155
/39-0009	51-353-156
/39-0010	51-353-157
/39-0011	51-353-344
/39-0012	51-353-345
/39-0013	51-353-223
/39-0014	51-353-287
/39-0015	51-353-418
/39-0016	51-311-346
/39-0017	51-311-347
/39-0018	51-311-348
/40-0001	51-704-002
/43-0001	51-719-023
/43-0002	51-712-055
/44-0001	51-744-003
/44-0002	51-762-005
/44-0003	51-762-006
/46-0001	51-709-004
/48-0001	51-385-038
/48-0002	51-385-040
/48-0003	51-385-049
/48-0005	51-385-050
/49-0001	51-359-053
/49-0003	51-359-034
/49-0004	51-359-035
/49-0006	51-359-044
/49-0007	51-359-055
/49-0008	54-370-032
/49-0010	54-370-034
/51-0001	51-703-007
/51-0002	51-750-313

Appendix

MIL-F-28861

Military Designation MIL-F-28861	Spectrum Part Number
/1-001	51-359-081
/1-002	54-367-049
/1-003	51-359-082
/1-004	54-367-050
/1-005	51-359-083
/1-006	54-367-051
/1-007	51-359-084
/1-008	54-367-052
/1-009	51-359-085
/1-010	54-367-053
/1-011	51-359-086
/1-012	54-367-054
/1-013	51-359-087
/1-014	54-367-055
/1-015	51-359-088
/1-016	54-367-056
/1-017	51-359-089
/1-018	54-367-057
/1-019	51-359-090
/1-020	54-367-058
/1-021	51-359-122
/1-022	54-367-085
/1-023	51-359-123
/1-024	54-367-086
/1-025	51-359-124
/1-026	54-367-087
/1-031	51-359-125
/1-032	54-367-088
/1-033	51-359-126
/1-034	54-367-089
/1-035	51-359-127
/1-036	54-367-090
/2-001	51-311-010
/2-002	51-311-011
/2-003	51-311-365
/2-004	51-311-012
/2-005	51-311-013
/2-006	51-311-366
/2-007	51-311-014
/2-008	51-311-015
/2-009	51-311-367
/2-010	51-311-016
/2-011	51-311-017
/2-012	51-311-368
/2-013	51-311-018
/2-014	51-311-019
/2-015	51-311-369
/2-016	51-311-020
/2-017	51-311-021
/2-018	51-311-370
/2-019	51-311-022
/2-020	51-311-023
/2-021	51-311-371
/2-022	51-311-024
/2-023	51-311-025
/2-024	51-311-372
/3-001	51-390-044
/3-002	51-390-045



Military Cross Reference Qualified Components

MIL-F-28861 (cont'd)

Military Designation MIL-F-28861	Spectrum Part Number
/3-003	51-390-321
/3-004	51-390-046
/3-005	51-390-047
/3-006	51-390-322
/3-007	51-390-048
/3-008	51-390-049
/3-009	51-390-323
/3-010	51-390-050
/3-011	51-390-051
/3-012	51-390-324
/3-013	51-390-052
/3-014	51-390-053
/3-015	51-390-325
/3-016	51-390-054
/3-017	51-390-055
/3-018	51-390-326
/3-019	51-390-056
/3-020	51-390-057
/3-021	51-390-327
/3-022	51-390-058
/3-023	51-390-059
/3-024	51-390-328
/3-025	51-390-060
/3-026	51-390-061
/3-027	51-390-329
/3-028	51-390-062
/3-029	51-390-063
/3-030	51-390-330
/3-031	51-390-064
/3-032	51-390-065
/3-033	51-390-331
/3-034	51-390-066
/3-035	51-390-067
/3-036	51-390-332
/5-001	51-311-026
/5-002	51-311-027
/5-003	51-311-374
/5-004	51-311-028
/5-005	51-311-029
/5-006	51-311-375
/5-007	51-311-030
/5-008	51-311-031
/5-009	51-311-376
/5-010	51-311-032
/5-011	51-311-033
/5-012	51-311-377
/5-013	51-311-034
/5-014	51-311-035
/5-015	51-311-378
/5-016	51-311-036
/5-017	51-311-037
/5-018	51-311-379
/5-019	51-311-038
/5-020	51-311-039
/5-021	51-311-380
/5-022	51-311-040
/5-023	51-311-041
/5-024	51-311-381

DSCC 84084 Product

DSCC Designation	Spectrum Part Number
84084-001	54-310-042
84084-004	51-320-162
84084-005	51-320-163
84084-006	51-320-164
84084-007	51-320-165
84084-008	51-320-166
84084-009	51-320-167
84084-010	51-320-168
84084-011	51-320-169
84084-013	51-321-398
84084-014	51-321-399
84084-015	51-321-400
84084-016	51-321-401

MIL-C-11015

/32 CK#	Spectrum Part Number
CK99BW502M	SCI-9900-502AP
CK99BW272M	SCI-9910-272AQ
CK99BW101M	SCI-9920-101T
CK99BW501M	SCI-9920-501K
CK99BW122M	SCI-9920-122J



Spectrum Control/AMP Part Number Cross Reference

AMP Part Number	Spectrum Part Number	AMP Part Number	Spectrum Part Number	AMP Part Number	Spectrum Part Number
1124033-1	56-407-001	1-842911-3	56-711-001-LI	1-842923-0	56-731-015-LI
1124034-1	56-403-001	1-842911-0	56-711-005-LI	1-842923-1	56-731-041-LI
1124082-1	56-614-001	1-842911-1	56-711-029-LI	1-842923-2	56-731-041-LI
1124174-1	56-413-001	1-842911-2	56-711-029-LI	1-842923-4	56-731-XXX-LI**
1124175-1	56-423-001	1-842911-4	56-711-XXX-LI**	1-842924-3	56-741-011-LI
1-842900-3	56-702-001-LI	1-842912-3	56-721-001-LI	1-842924-0	56-741-015-LI
1-842900-0	56-702-005-LI	1-842912-0	56-721-005-LI	1-842924-1	56-741-040-LI
1-842900-1	56-702-008-LI	1-842912-1	56-721-034-LI	1-842924-2	56-741-040-LI
1-842900-2	56-702-008-LI	1-842912-2	56-721-034-LI	1-842924-4	56-741-XXX-LI**
1-842900-4	56-702-XXX-LI**	1-842912-4	56-721-XXX-LI**	1-842925-3	56-706-001-LI
1-842901-3	56-712-001-LI	1-842913-3	56-731-001-LI	1-842925-0	56-706-005-LI
1-842901-0	56-712-005-LI	1-842913-0	56-731-005-LI	1-842925-1	56-706-007-LI
1-842901-1	56-712-008-LI	1-842913-1	56-731-029-LI	1-842925-2	56-706-007-LI
1-842901-2	56-712-008-LI	1-842913-2	56-731-029-LI	1-842925-8	56-706-XXX**
1-842901-4	56-712-XXX-LI**	1-842913-4	56-731-XXX-LI**	1-842925-4	56-706-XXX-LI**
1-842902-3	56-722-001-LI	1-842914-3	56-741-001-LI	1-842926-3	56-716-001-LI
1-842902-0	56-722-005-LI	1-842914-0	56-741-005-LI	1-842926-0	56-716-005-LI
1-842902-1	56-722-009-LI	1-842914-1	56-741-028-LI	1-842926-1	56-716-007-LI
1-842902-2	56-722-009-LI	1-842914-2	56-741-028-LI	1-842926-2	56-716-007-LI
1-842902-4	56-722-XXX-LI**	1-842914-4	56-741-XXX-LI**	1-842926-4	56-716-XXX-LI**
1-842903-3	56-732-001-LI	1-842915-3	56-703-001-LI	1-842927-3	56-726-001-LI
1-842903-0	56-732-005-LI	1-842915-0	56-703-005-LI	1-842927-0	56-726-005-LI
1-842903-1	56-732-007-LI	1-842915-1	56-703-023-LI	1-842927-1	56-726-007-LI
1-842903-2	56-732-007-LI	1-842915-2	56-703-023-LI	1-842927-2	56-726-007-LI
1-842903-4	56-732-XXX-LI**	1-842915-4	56-703-XXX-LI**	1-842927-4	56-726-XXX-LI**
1-842904-3	56-742-001-LI	1-842916-3	56-713-001-LI	1-842928-3	56-736-001-LI
1-842904-0	56-742-005-LI	1-842916-0	56-713-005-LI	1-842928-0	56-736-005-LI
1-842904-1	56-742-007-LI	1-842916-1	56-713-022-LI	1-842928-1	56-736-007-LI
1-842904-2	56-742-007-LI	1-842916-2	56-713-022-LI	1-842928-2	56-736-007-LI
1-842904-4	56-742-XXX-LI**	1-842916-4	56-713-XXX-LI**	1-842928-6	56-736-XXX**
1-842905-3	56-704-001-LI	1-842917-3	56-723-001-LI	1-842928-7	56-736-XXX**
1-842905-0	56-704-005-LI	1-842917-0	56-723-005-LI	1-842928-4	56-736-XXX-LI**
1-842905-1	56-704-008-LI	1-842917-1	56-723-024-LI	1-842929-3	56-746-001-LI
1-842905-2	56-704-008-LI	1-842917-2	56-723-024-LI	1-842929-0	56-746-005-LI
1-842905-7	56-704-XXX**	1-842917-4	56-723-XXX-LI**	1-842929-1	56-746-007-LI
1-842905-4	56-704-XXX-LI**	1-842918-3	56-733-001-LI	1-842929-2	56-746-007-LI
1-842906-3	56-714-001-LI	1-842918-0	56-733-005-LI	1-842929-4	56-746-XXX-LI**
1-842906-0	56-714-005-LI	1-842918-1	56-733-022-LI	1-842930-3	56-705-001-LI
1-842906-1	56-714-007-LI	1-842918-2	56-733-022-LI	1-842930-0	56-705-005-LI
1-842906-2	56-714-007-LI	1-842918-4	56-733-XXX-LI**	1-842930-1	56-705-009-LI
1-842906-4	56-714-XXX-LI**	1-842919-3	56-743-001-LI	1-842930-2	56-705-009-LI
1-842907-3	56-724-001-LI	1-842919-0	56-743-005-LI	1-842930-4	56-705-XXX-LI**
1-842907-0	56-724-005-LI	1-842919-1	56-743-022-LI	1-842931-3	56-715-001-LI
1-842907-1	56-724-009-LI	1-842919-2	56-743-022-LI	1-842931-0	56-715-005-LI
1-842907-2	56-724-009-LI	1-842919-4	56-743-XXX-LI**	1-842931-1	56-715-008-LI
1-842907-4	56-724-XXX-LI**	1-842920-3	56-701-011-LI	1-842931-2	56-715-008-LI
1-842908-3	56-734-001-LI	1-842920-0	56-701-015-LI	1-842931-4	56-715-XXX-LI**
1-842908-0	56-734-005-LI	1-842920-1	56-701-041-LI	1-842932-3	56-725-001-LI
1-842908-1	56-734-007-LI	1-842920-2	56-701-041-LI	1-842932-0	56-725-005-LI
1-842908-2	56-734-007-LI	1-842920-4	56-701-XXX-LI**	1-842932-1	56-725-020-LI
1-842908-4	56-734-XXX-LI**	1-842921-3	56-711-011-LI	1-842932-2	56-725-020-LI
1-842909-3	56-744-001-LI	1-842921-0	56-711-015-LI	1-842932-4	56-725-XXX-LI**
1-842909-0	56-744-005-LI	1-842921-1	56-711-041-LI	1-842933-3	56-735-001-LI
1-842909-1	56-744-007-LI	1-842921-2	56-711-041-LI	1-842933-0	56-735-005-LI
1-842909-2	56-744-007-LI	1-842921-4	56-711-XXX-LI**	1-842933-1	56-735-009-LI
1-842909-4	56-744-XXX-LI**	1-842922-3	56-721-011-LI	1-842933-2	56-735-009-LI
1-842910-3	56-701-001-LI	1-842922-0	56-721-015-LI	1-842933-4	56-735-XXX-LI**
1-842910-0	56-701-005-LI	1-842922-1	56-721-046-LI	1-842934-3	56-745-001-LI
1-842910-1	56-701-029-LI	1-842922-2	56-721-046-LI	1-842934-0	56-745-005-LI
1-842910-2	56-701-029-LI	1-842922-4	56-721-XXX-LI**	1-842934-1	56-745-007-LI
1-842910-4	56-701-XXX-LI**	1-842923-3	56-731-011-LI	1-842934-2	56-745-007-LI

Appendix

* There may be mechanical and/or electrical differences between the Amp and Spectrum part. Please consult factory.

** A standard part number does not currently exist but will be assigned upon ordering.



Spectrum Control/AMP Part Number Cross Reference

AMP Part Number	Spectrum Part Number	AMP Part Number	Spectrum Part Number	AMP Part Number	Spectrum Part Number
1-842934-4	56-745-XXX-LI**	267980-2	56-102-005	842595-3	56-714-017
1-869464-0	56-124-002	267980-3	56-102-004	842595-4	56-714-017-LI
1-869470-0	56-102-002	267980-4	56-102-003	842596-3	56-724-021
1-869476-0	56-122-002	267980-5	56-102-002	842596-4	56-724-021-LI
1-869522-0	56-104-002	267981-1	56-112-006	842597-3	56-734-012
1-869523-0	56-114-002	267981-2	56-112-005	842597-4	56-734-012-LI
1-869527-0	56-112-002	267981-3	56-112-004	842610-3	56-701-086
1-93768-0	56-701-081-LI	267981-4	56-112-003	842610-4	56-701-086-LI
1-93769-0	56-711-085-LI	267981-5	56-112-002	842611-3	56-711-088
1-93770-0	56-721-070-LI	267982-1	56-122-006	842611-4	56-711-088-LI
1-93771-0	56-731-060-LI	267982-2	56-122-005	842612-3	56-721-111
1-93772-0	56-706-009-LI	267982-3	56-122-004	842612-4	56-721-111-LI
1-93773-0	56-716-009-LI	267982-4	56-122-003	842613-3	56-731-076
1-93774-0	56-726-009-LI	267982-5	56-122-002	842613-4	56-731-076-LI
1-93775-0	56-736-009-LI	267983-1	56-104-006	842614-3	56-703-047
267028-1	56-B12-000-K	267983-2	56-104-005	842614-4	56-703-047-LI
	56-B12-000-S	267983-3	56-104-004	842615-3	56-713-045
267100-1	56-C31-001	267983-4	56-104-003	842615-4	56-713-045-LI
267116-1	56-407-001	267983-5	56-104-002	842616-3	56-723-069
267161-2	56-423-001	267984-1	56-114-006	842616-4	56-723-069-LI
267290-1	56-724-008-GBL	267984-2	56-114-005	842617-3	56-733-046
267292-1	56-624-XXX**	267984-3	56-114-004	842617-4	56-733-046-LI
267397-1	56-413-001	267984-4	56-114-003	842618-3	56-702-033
267533-1	56-B22-000-S	267984-5	56-114-002	842618-4	56-702-033-LI
267533-2	56-B22-000-K	267985-1	56-124-006	842619-3	56-712-039
267534-1	56-B42-000-S	267985-2	56-124-005	842619-4	56-712-039-LI
267534-2	56-B42-000-K	267985-3	56-124-004	842620-3	56-722-060
267809-1	56-703-022	267985-4	56-124-003	842620-4	56-722-060-LI
267810-1	56-713-021	267985-5	56-124-002	842621-3	56-732-023-LI
267811-1	56-723-022	2-842919-6	56-743-003-LI	842621-4	56-732-023-LI
267824-1	56-102-006	2-842920-2	56-701-042	842622-3	56-704-035
267824-2	56-102-005	2-842927-2	56-726-XXX**	842622-4	56-704-035-LI
267824-3	56-102-004	3-842917-1	56-723-045-LI	842623-3	56-714-031
267824-4	56-102-003	3-842917-2	56-723-XXX**	842623-4	56-714-031-LI
267824-5	56-102-002	3-842917-3	56-723-XXX**	842624-3	56-724-046
267825-1	56-112-006	842582-3	56-701-047	842624-4	56-724-046-LI
267825-2	56-112-005	842582-4	56-701-047-LI	842625-3	56-714-021
267825-3	56-112-004	842583-3	56-711-048	842625-4	56-734-021-LI
267825-4	56-112-003	842583-4	56-711-048-LI	842638-3	56-701-028
267825-5	56-112-002	842584-3	56-721-063	842638-4	56-701-028-LI
267826-1	56-122-006	842584-4	56-721-063-LI	842639-3	56-711-028
267826-2	56-122-005	842585-3	56-731-048	842639-4	56-711-028-LI
267826-3	56-122-004	842585-4	56-731-048-LI	842640-3	56-721-033
267826-4	56-122-003	842586-3	56-703-036	842640-4	56-721-033-LI
267826-5	56-122-002	842586-4	56-703-036-LI	842641-3	56-731-028
267827-1	56-104-006	842587-3	56-713-037	842641-4	56-731-028-LI
267827-2	56-104-005	842587-4	56-713-037-LI	842642-3	56-703-022
267827-3	56-104-004	842588-3	56-723-045	842642-4	56-703-022-LI
267827-4	56-104-003	842588-4	56-723-045-LI	842643-3	56-713-021
267827-5	56-104-002	842589-3	56-733-035	842643-4	56-713-021-LI
267828-1	56-114-006	842589-4	56-733-035-LI	842644-3	56-723-023
267828-2	56-114-005	842590-3	56-702-013	842644-4	56-723-023-LI
267828-3	56-114-004	842590-4	56-702-013-LI	842645-3	56-733-021
267828-4	56-114-003	842591-3	56-712-017	842645-4	56-733-021-LI
267828-5	56-114-002	842591-4	56-712-017-LI	842646-3	56-702-007
267829-1	56-124-006	842592-3	56-722-027	842646-4	56-702-007-LI
267829-2	56-124-005	842592-4	56-722-027-LI	842647-3	56-712-007
267829-3	56-124-004	842593-3	56-732-009	842647-4	56-712-007-LI
267829-4	56-124-003	842593-4	56-732-009-LI	842648-3	56-722-008
267829-5	56-124-002	842594-3	56-704-018	842648-4	56-722-008-LI
267980-1	56-102-006	842594-4	56-704-018-LI	842649-3	56-732-006

* There may be mechanical and/or electrical differences between the Amp and Spectrum part. Please consult factory.

** A standard part number does not currently exist but will be assigned upon ordering.

SPECTRUM CONTROL INC. • 8031 Avonia Rd. • Fairview, PA 16415 • Phone: 814-474-2207 • Fax: 814-474-2208 • Web site: www.spectrumcontrol.com
 SPECTRUM CONTROL GmbH • Hansastrasse 6 • 91126 Schwabach, Germany • Phone: (49)-9122-795-0 • Fax: (49)-9122-795-58



Spectrum Control/AMP Part Number Cross Reference

AMP Part Number	Spectrum Part Number	AMP Part Number	Spectrum Part Number	AMP Part Number	Spectrum Part Number
842649-4	56-732-006-LI	842740-4	56-715-002-LI	842904-5	56-742-007
842650-3	56-704-007	842741-3	56-715-015	842904-6	56-742-001
842650-4	56-704-007-LI	842741-4	56-715-015-LI	842904-7	56-742-XXX**
842651-3	56-714-006	842742-3	56-715-040	842904-8	56-742-003-LI
842651-4	56-714-006-LI	842742-4	56-715-040-LI	842904-9	56-742-008-LI
842652-3	56-724-008	842743-3	56-725-002	842905-1	56-704-003
842652-4	56-724-008-LI	842743-4	56-725-002-LI	842905-2	56-704-009
842653-3	56-734-006	842744-3	56-725-064	842905-3	56-704-005
842653-4	56-734-006-LI	842744-4	56-725-064-LI	842905-4	56-704-008
842666-3	56-701-002	842744-5	56-725-XXX**	842905-5	56-704-008
842666-4	56-701-002-LI	842745-3	56-725-073	842905-6	56-704-001
842667-3	56-711-002	842745-4	56-725-073-LI	842905-7	56-704-XXX**
842667-4	56-711-002-LI	842746-3	56-735-002	842905-8	56-704-003-LI
842668-3	56-721-002	842746-4	56-735-002-LI	842905-9	56-704-009-LI
842668-4	56-721-002-LI	842747-3	56-735-025	842906-1	56-714-003
842669-3	56-731-002	842747-4	56-735-025-LI	842906-2	56-714-008
842669-4	56-731-002-LI	842748-3	56-735-034	842906-3	56-714-005
842670-3	56-703-002	842748-4	56-735-034-LI	842906-4	56-714-007
842670-4	56-703-002-LI	842796-2	56-725-064-HV	842906-5	56-714-007
842671-3	56-713-002	842797-2	56-735-025-HV	842906-6	56-714-001
842671-4	56-713-002-LI	842830-3	56-706-006	842906-7	56-714-XXX**
842672-3	56-723-002	842900-1	56-702-003	842906-8	56-714-003-LI
842672-4	56-723-002-LI	842900-2	56-702-009	842906-9	56-714-008-LI
842673-3	56-733-002	842900-3	56-702-005	842907-1	56-724-003
842673-4	56-733-002-LI	842900-4	56-702-008	842907-2	56-724-010
842674-3	56-702-002	842900-5	56-702-008	842907-3	56-724-005
842674-4	56-702-002-LI	842900-6	56-702-001	842907-4	56-724-009
842675-3	56-712-002	842900-7	56-702-XXX**	842907-5	56-724-009
842675-4	56-712-002-LI	842900-8	56-702-003-LI	842907-6	56-724-001
842675-5	56-712-002-LIM	842900-9	56-702-009-LI	842907-7	56-724-XXX**
842676-3	56-722-002	842901-1	56-712-003	842907-8	56-724-003-LI
842676-4	56-722-002-LI	842901-2	56-712-009	842907-9	56-724-010-LI
842677-3	56-732-002	842901-3	56-712-005	842908-1	56-734-003
842677-4	56-732-002-LI	842901-4	56-712-008	842908-2	56-734-008
842678-3	56-704-002	842901-5	56-712-008	842908-3	56-734-005
842678-4	56-704-002-LI	842901-6	56-712-001	842908-4	56-734-007
842679-3	56-714-002	842901-7	56-712-XXX**	842908-5	56-734-007
842679-4	56-714-002-LI	842901-8	56-712-003-LI	842908-6	56-734-001
842680-3	56-724-002	842901-9	56-712-009-LI	842908-7	56-734-XXX**
842680-4	56-724-002-LI	842902-1	56-722-003	842908-8	56-734-003-LI
842681-3	56-734-002	842902-2	56-722-010	842908-9	56-734-008-LI
842681-4	56-734-002-LI	842902-3	56-722-005	842909-1	56-744-003
842697-3	56-705-008	842902-4	56-722-009	842909-2	56-744-008
842697-4	56-705-008-LI	842902-5	56-722-009	842909-3	56-744-005
842697-5	56-705-026-LI	842902-6	56-722-001	842909-4	56-744-007
842697-5	56-705-XXX**	842902-7	56-722-XXX**	842909-5	56-744-007
842698-3	56-715-007	842902-8	56-722-003-LI	842909-6	56-744-001
842698-4	56-715-007-LI	842902-9	56-722-010-LI	842909-7	56-744-XXX**
842699-3	56-725-019	842903-1	56-732-003	842909-8	56-744-003-LI
842699-4	56-725-019-LI	842903-2	56-732-008	842909-9	56-744-008-LI
842699-4	56-725-019-LI	842903-3	56-732-005	842910-1	56-701-003
842700-3	56-735-008	842903-4	56-732-007	842910-2	56-701-030
842700-4	56-735-008-LI	842903-5	56-732-007	842910-3	56-701-005
842737-3	56-705-002	842903-6	56-732-001	842910-4	56-701-029
842737-4	56-705-002-LI	842903-7	56-732-XXX**	842910-5	56-701-029
842738-3	56-705-026	842903-8	56-732-003-LI	842910-6	56-701-001
842738-4	56-705-026-LI	842903-9	56-732-008-LI	842910-7	56-701-XXX**
842738-5	56-705-026-HV	842904-1	56-742-003	842910-8	56-701-003-LI
842739-3	56-705-049	842904-2	56-742-008	842910-9	56-701-030-LI
842739-4	56-705-049-LI	842904-3	56-742-005	842911-1	56-711-003
842740-3	56-715-002	842904-4	56-742-007	842911-2	56-711-030

Appendix

* There may be mechanical and/or electrical differences between the Amp and Spectrum part. Please consult factory.

** A standard part number does not currently exist but will be assigned upon ordering.



Spectrum Control/AMP Part Number Cross Reference

AMP Part Number	Spectrum Part Number	AMP Part Number	Spectrum Part Number	AMP Part Number	Spectrum Part Number
842911-3	56-711-005	842918-1	56-733-003	842924-8	56-741-013-LI
842911-4	56-711-029	842918-2	56-733-023	842924-9	56-741-041-LI
842911-5	56-711-029	842918-3	56-733-005	842925-1	56-706-003
842911-6	56-711-001	842918-4	56-733-022	842925-2	56-706-008
842911-7	56-711-XXX**	842918-5	56-733-022	842925-3	56-706-005
842911-8	56-711-003-LI	842918-6	56-733-001	842925-4	56-706-007
842911-9	56-711-030-LI	842918-7	56-733-XXX**	842925-5	56-706-007
842912-1	56-721-003	842918-8	56-733-003-LI	842925-6	56-706-001
842912-2	56-721-035	842918-9	56-733-023-LI	842925-7	56-706-XXX**
842912-3	56-721-005	842919-1	56-743-003	842925-8	56-706-003-LI
842912-4	56-721-034	842919-2	56-743-023	842925-9	56-706-005-LI
842912-5	56-721-034	842919-3	56-743-005	842926-1	56-716-003
842912-6	56-721-001	842919-4	56-743-022	842926-2	56-716-008
842912-7	56-721-XXX**	842919-5	56-743-022	842926-3	56-716-005
842912-8	56-721-003-LI	842919-6	56-743-001	842926-4	56-716-007
842912-9	56-721-035-LI	842919-7	56-743-XXX**	842926-5	56-716-007
842913-1	56-731-003	842919-8	56-743-003-LI	842926-6	56-716-001
842913-2	56-731-030	842919-9	56-743-023-LI	842926-7	56-716-XXX**
842913-3	56-731-005	842920-1	56-701-013	842926-8	56-716-003-LI
842913-4	56-731-029	842920-2	56-701-042	842926-9	56-716-008-LI
842913-5	56-731-029	842920-3	56-701-015	842927-1	56-726-003
842913-6	56-731-001	842920-4	56-701-041	842927-2	56-726-008
842913-7	56-731-XXX**	842920-5	56-701-041	842927-3	56-726-005
842913-8	56-731-003-LI	842920-6	56-701-011	842927-4	56-726-007
842913-9	56-731-030-LI	842920-7	56-701-XXX**	842927-5	56-726-007
842914-1	56-741-003	842920-8	56-701-013-LI	842927-6	56-726-001
842914-2	56-741-029	842920-9	56-701-042-LI	842927-7	56-726-XXX**
842914-3	56-741-005	842921-1	56-711-013	842927-8	56-726-003-LI
842914-4	56-741-028	842921-2	56-711-042	842927-9	56-726-008-LI
842914-5	56-741-028	842921-3	56-711-015	842928-1	56-736-003
842914-6	56-741-001	842921-4	56-711-041	842928-2	56-736-008
842914-7	56-741-XXX**	842921-5	56-711-041	842928-3	56-736-005
842914-8	56-741-003-LI	842921-6	56-711-011	842928-4	56-736-007
842914-9	56-741-029-LI	842921-7	56-711-XXX**	842928-5	56-736-007
842915-1	56-703-003	842921-8	56-711-013-LI	842928-6	56-736-001
842915-2	56-703-024	842921-9	56-711-042-LI	842928-7	56-736-XXX**
842915-3	56-703-005	842922-1	56-721-013	842928-8	56-736-003-LI
842915-4	56-703-023	842922-2	56-721-047	842928-9	56-736-008-LI
842915-5	56-703-023	842922-3	56-721-015	842929-1	56-746-003
842915-6	56-703-001	842922-4	56-721-046	842929-2	56-746-008
842915-7	56-703-XXX**	842922-5	56-721-046	842929-3	56-746-005
842915-8	56-703-003-LI	842922-6	56-721-011	842929-4	56-746-007
842915-9	56-703-024-LI	842922-7	56-721-XXX**	842929-5	56-746-007
842916-1	56-713-003	842922-8	56-721-013-LI	842929-6	56-746-001
842916-2	56-713-023	842922-9	56-721-047-LI	842929-7	56-746-XXX**
842916-3	56-713-005	842923-1	56-731-013	842929-8	56-746-003-LI
842916-4	56-713-022	842923-2	56-731-042	842929-9	56-746-008-LI
842916-5	56-713-022	842923-3	56-731-015	842930-1	56-705-003
842916-6	56-713-001	842923-4	56-731-041	842930-2	56-705-010
842916-7	56-713-XXX**	842923-5	56-731-041	842930-3	56-705-005
842916-8	56-713-003-LI	842923-6	56-731-011	842930-4	56-705-009
842916-9	56-713-023-LI	842923-7	56-731-XXX**	842930-5	56-705-009
842917-1	56-723-003	842923-8	56-731-013-LI	842930-6	56-705-001
842917-2	56-723-025	842923-9	56-731-042-LI	842930-7	56-705-XXX**
842917-3	56-723-005	842924-1	56-741-013	842930-8	56-705-003-LI
842917-4	56-723-024	842924-2	56-741-041	842930-9	56-705-010-LI
842917-5	56-723-024	842924-3	56-741-015	842931-1	56-715-003
842917-6	56-723-001	842924-4	56-741-040	842931-2	56-715-009
842917-7	56-723-XXX**	842924-5	56-741-040	842931-3	56-715-005
842917-8	56-723-003-LI	842924-6	56-741-011	842931-4	56-715-008
842917-9	56-723-025-LI	842924-7	56-741-XXX**	842931-5	56-715-008

* There may be mechanical and/or electrical differences between the Amp and Spectrum part. Please consult factory.

** A standard part number does not currently exist but will be assigned upon ordering.

SPECTRUM CONTROL INC. • 8031 Avonia Rd. • Fairview, PA 16415 • Phone: 814-474-2207 • Fax: 814-474-2208 • Web site: www.spectrumcontrol.com
 SPECTRUM CONTROL GmbH • Hansastrasse 6 • 91126 Schwabach, Germany • Phone: (49)-9122-795-0 • Fax: (49)-9122-795-58

Appendix



Spectrum Control/AMP Part Number Cross Reference

AMP Part Number	Spectrum Part Number	AMP Part Number	Spectrum Part Number	AMP Part Number	Spectrum Part Number
842931-6	56-715-001	842953-2	56-734-004-LI	93769-1	56-711-014
842931-7	56-715-XXX**	842954-1	56-705-004	93769-2	56-711-012
842931-8	56-715-003-LI	842954-2	56-705-004-LI	93769-3	56-711-040
842931-9	56-715-009-LI	842955-1	56-715-004	93769-4	56-711-086
842932-1	56-725-003	842955-2	56-715-004-LI	93769-5	56-711-085
842932-2	56-725-021	842956-1	56-725-004	93769-6	56-711-014-LI
842932-3	56-725-005	842956-2	56-725-004-LI	93769-7	56-711-012-LI
842932-4	56-725-020	842956-3	56-725-004-LI	93769-8	56-711-040-LI
842932-5	56-725-020	842957-1	56-735-004	93769-9	56-711-086-LI
842932-6	56-725-001	842957-2	56-735-004-LI	93770-1	56-721-014
842932-7	56-725-XXX**	842957-3	56-735-004-LI	93770-2	56-721-012
842932-8	56-725-003-LI	859762-1	56-726-003	93770-3	56-721-045
842932-9	56-725-021-LI	869202-1	56-715-004	93770-4	56-721-112
842933-1	56-735-003	869214-1	56-701-003-LIM	93770-5	56-721-070
842933-2	56-735-010	869248-1	56-711-003-LIM	93770-6	56-721-014-LI
842933-3	56-735-005	869408-1	56-715-XXX**	93770-7	56-721-012-LI
842933-4	56-735-009	869427-2	56-414-001-HD	93770-8	56-721-045-LI
842933-5	56-735-009	869436-2	56-402-001	93770-9	56-721-112-LI
842933-6	56-735-001	869442-2	56-422-001	93771-1	56-731-014
842933-7	56-735-XXX**	869454-1	56-704-007-LI	93771-2	56-731-012
842933-8	56-735-003-LI	869464-5	56-124-006	93771-3	56-731-040-LI
842933-9	56-735-010-LI	869464-6	56-124-005	93771-4	56-731-077
842934-1	56-745-003	869464-7	56-124-004	93771-5	56-731-060
842934-2	56-745-008	869464-8	56-124-003	93771-6	56-731-014-LI
842934-3	56-745-005	869470-5	56-102-006	93771-7	56-731-012-LI
842934-4	56-745-007	869470-6	56-102-005	93771-8	56-731-040-LI
842934-5	56-745-007	869470-7	56-102-004	93771-9	56-731-077-LI
842934-6	56-745-001	869470-8	56-102-003	93772-1	56-706-004
842934-7	56-745-XXX**	869476-5	56-122-006	93772-2	56-706-002
842934-8	56-745-003-LI	869476-6	56-122-005	93772-3	56-706-006
842934-9	56-745-008-LI	869476-7	56-122-004	93772-4	56-706-017
842938-1	56-701-004	869476-8	56-122-003	93772-5	56-706-009
842938-2	56-701-004-LI	869504-1 & 2	56-B32-000-S	93772-6	56-706-004-LI
842939-1	56-711-004	869505-1	56-B52-000-S	93772-7	56-706-002-LI
842939-2	56-711-004-LI	869508-1 & 2	56-B32-000-K	93772-8	56-706-006-LI
842940-1	56-721-004	869509-1	56-B52-000-K	93772-9	56-706-017-LI
842940-2	56-721-004-LI	869520-2	56-404-001	93773-1	56-716-004
842941-1	56-731-004	869521-2	56-424-001	93773-2	56-716-002
842941-2	56-731-004-LI	869522-5	56-104-006	93773-3	56-716-006
842942-1	56-703-004	869522-6	56-104-005	93773-4	56-716-013
842942-2	56-703-004-LI	869522-7	56-104-004	93773-5	56-716-009
842943-1	56-713-004	869522-8	56-104-003	93773-6	56-716-004-LI
842943-2	56-713-004-LI	869523-5	56-114-006	93773-7	56-716-002-LI
842944-1	56-723-004	869523-6	56-114-005	93773-8	56-716-006-LI
842944-2	56-723-004-LI	869523-7	56-114-004	93773-9	56-716-013-LI
842945-1	56-733-004	869523-8	56-114-003	93774-1	56-726-004
842945-2	56-733-004-LI	869526-2	56-412-001	93774-2	56-726-002
842946-1	56-702-004	869527-5	56-112-006	93774-3	56-726-006
842946-2	56-702-004-LI	869527-6	56-112-005	93774-4	56-726-021
842947-1	56-712-004	869527-7	56-112-004	93774-5	56-726-009
842947-2	56-712-004-LI	869527-8	56-112-003	93774-6	56-726-004-LI
842948-1	56-722-004	93544-3	56-C31-201-SOX	93774-7	56-726-002-LI
842948-2	56-722-004-LI	93725-1	56-C33-001	93774-8	56-726-006-LI
842949-1	56-732-004	93768-1	56-701-014	93774-9	56-726-021-LI
842949-2	56-732-004-LI	93768-2	56-701-012	93775-1	56-736-004
842950-1	56-704-004	93768-3	56-701-040	93775-2	56-736-002
842950-2	56-704-004-LI	93768-4	56-701-087	93775-3	56-736-006
842951-1	56-714-004	93768-5	56-701-081	93775-4	56-736-015
842951-2	56-714-004-LI	93768-6	56-701-014-LI	93775-5	56-736-009
842952-1	56-724-004	93768-7	56-701-012-LI	93775-6	56-736-004-LI
842952-2	56-724-004-LI	93768-8	56-701-040-LI	93775-7	56-736-002-LI
842953-1	56-734-004	93768-9	56-701-087-LI	93775-8	56-736-006-LI
				93775-9	56-736-015-LI

* There may be mechanical and/or electrical differences between the Amp and Spectrum part. Please consult factory.

** A standard part number does not currently exist but will be assigned upon ordering.



Part Number Index

Spectrum part #	Page	Spectrum part #	Page	Spectrum part #	Page	Spectrum part #	Page
1201-052.....	82	51-321-312.....	100	51-359-053.....	89	51-712-060.....	78
1201-054.....	82	51-321-313.....	100	51-359-055.....	89	51-712-063.....	78
1201-066.....	82	51-321-314.....	100	51-359-081.....	89	51-712-065.....	78
1201-086.....	82	51-321-317.....	100	51-359-082.....	89	51-712-067.....	78
1202-005.....	83	51-321-318.....	100	51-359-083.....	89	51-712-069.....	78
1202-052.....	83	51-321-319.....	100	51-359-084.....	89	51-713-002.....	69
1202-054.....	83	51-321-322.....	100	51-359-085.....	89	51-713-010.....	69
1203-050.....	69	51-321-329.....	100	51-359-086.....	89	51-714-001.....	82
1204-050.....	69	51-321-398.....	100	51-359-088.....	89	51-714-002.....	82
1214-001.....	69	51-321-399.....	100	51-359-090.....	89	51-714-003.....	82
1214-007.....	69	51-321-400.....	100	51-359-105.....	89	51-714-004.....	82
1214-029.....	69	51-321-401.....	100	51-382-603.....	95	51-714-051.....	82
1216-001.....	82	51-321-607.....	101	51-382-609.....	95	51-714-052.....	82
1221-001.....	82	51-321-608.....	101	51-390-018.....	91	51-714-053.....	82
1223-012.....	69	51-321-610.....	101	51-390-026.....	91	51-714-054.....	82
1233-000.....	69	51-321-649.....	101	51-390-034.....	91	51-714-055.....	82
1234-000.....	69	51-321-670.....	101	51-390-039.....	92	51-714-056.....	82
1234-001.....	69	51-322-007.....	98	51-390-040.....	92	51-714-058.....	82
1250-003.....	78	51-322-009.....	99	51-390-305.....	94	51-717-001.....	88
1250-049.....	78	51-322-015.....	98	51-390-311.....	94	51-717-007.....	89
1250-054.....	78	51-322-017.....	99	51-390-312.....	94	51-719-011.....	82
1250-059.....	78	51-322-036.....	98	51-390-314.....	94	51-719-021.....	82
1250-062.....	78	51-323-003.....	99	51-390-315.....	94	51-719-022.....	82
1251-001.....	69	51-323-004.....	99	51-390-317.....	94	51-719-023.....	82
1270-009.....	82	51-323-313.....	100	51-390-318.....	94	51-719-053.....	82
1270-016.....	82	51-343-028.....	91	51-444-005.....	92	51-719-054.....	82
1270-024.....	82	51-343-034.....	91	51-444-027.....	92	51-723-301.....	69
1270-025.....	82	51-344-006.....	88	51-444-039.....	91	51-723-303.....	69
1280-060.....	85	51-351-603.....	95	51-444-040.....	92	51-726-001.....	76
1289-001.....	76	51-351-604.....	95	51-444-043.....	92	51-726-002.....	76
1289-004.....	76	51-353-003.....	90	51-444-044.....	92	51-726-008.....	76
1293-000.....	78	51-353-007.....	90	51-444-046.....	92	51-726-017.....	76
1293-001.....	78	51-353-053.....	91	51-444-047.....	92	51-729-303.....	75
2560-9000-01.....	199	51-353-054.....	91	51-444-060.....	91	51-729-304.....	75
2560-9000-02.....	199	51-353-055.....	91	51-444-072.....	91	51-729-305.....	75
2560-9000-03.....	199	51-353-066.....	91	51-444-117.....	92	51-729-312.....	75
2560-9000-04.....	199	51-353-067.....	91	51-570-300.....	94	51-744-002.....	78
2560-9001-01.....	199	51-353-076.....	92	51-570-301.....	94	51-744-003.....	78
2560-9001-02.....	199	51-353-077.....	92	51-570-302.....	94	51-750-301.....	69
2560-9001-03.....	199	51-353-078.....	92	51-570-303.....	94	51-750-302.....	69
2560-9001-04.....	199	51-353-079.....	92	51-570-304.....	94	51-750-309.....	69
51-311-308.....	94	51-353-080.....	92	51-570-310.....	94	51-750-313.....	69
51-311-309.....	94	51-353-081.....	92	51-570-311.....	94	51-750-322.....	69
51-311-310.....	94	51-353-095.....	90	51-570-312.....	94	51-761-001.....	79
51-311-311.....	94	51-353-099.....	90	51-570-313.....	94	51-761-002.....	79
51-311-312.....	94	51-353-100.....	90	51-570-314.....	94	51-762-005.....	78
51-311-314.....	94	51-353-101.....	91	51-570-320.....	94	51-762-006.....	78
51-311-316.....	93	51-353-109.....	91	51-570-321.....	94	52-160-002-A.....	123
51-311-317.....	93	51-353-110.....	91	51-570-322.....	94	52-160-003-A.....	123
51-311-319.....	93	51-353-111.....	91	51-570-323.....	94	52-160-004-A.....	123
51-311-320.....	93	51-353-112.....	91	51-570-324.....	94	52-160-005-A.....	123
51-311-321.....	93	51-353-113.....	91	51-702-020.....	83	52-160-006-A.....	123
51-311-322.....	93	51-353-114.....	91	51-702-021.....	83	52-188-002-A.....	123
51-311-408.....	94	51-353-116.....	91	51-703-001.....	69	52-188-003-A.....	123
51-320-015.....	99	51-353-120.....	91	51-703-007.....	69	52-188-004-A.....	123
51-320-017.....	99	51-353-155.....	91	51-703-012.....	69	52-188-005-A.....	123
51-320-018.....	99	51-353-156.....	92	51-703-013.....	69	52-188-006-A.....	123
51-320-024.....	98	51-353-157.....	92	51-704-002.....	69	52-227-002.....	126
51-320-026.....	98	51-353-207.....	91	51-707-002.....	69	52-227-003.....	126
51-320-041.....	98	51-353-287.....	91	51-707-006.....	69	52-227-004.....	126
51-320-100.....	98	51-353-336.....	94	51-707-007.....	69	52-227-005.....	126
51-320-103.....	98	51-353-344.....	94	51-707-026.....	69	52-227-006.....	126
51-320-162.....	99	51-353-345.....	94	51-709-004.....	82	52-227-007.....	126
51-320-163.....	99	51-359-001.....	88	51-709-013.....	82	52-227-008.....	126
51-320-164.....	99	51-359-007.....	89	51-709-015.....	82	52-227-009.....	126
51-320-165.....	99	51-359-021.....	89	51-712-001.....	78	52-227-010.....	126
51-320-166.....	99	51-359-024.....	89	51-712-003.....	78	52-227-011.....	126
51-320-167.....	99	51-359-044.....	89	51-712-014.....	78	52-227-012.....	126
51-320-168.....	99	51-359-050.....	89	51-712-028.....	78	52-228-002.....	126
51-320-169.....	99	51-359-051.....	89	51-712-055.....	78	52-228-003.....	126



Part Number Index

Spectrum part #	Page	Spectrum part #	Page	Spectrum part #	Page	Spectrum part #	Page
52-228-004	126	54-848-005	85	56-404-001	134	56-702-009	151
52-228-005	126	54-848-008	85	56-407-001	135	56-702-013	151
52-228-006	126	54-853-001	85	56-412-001	133	56-702-033	151
52-228-007	126	54-853-004	85	56-413-001	136	56-703-001	153
52-228-008	126	54-862-001	74	56-414-001	134	56-703-002	153
52-228-009	126	54-862-002	74	56-414-001-HD	134	56-703-003	153
52-228-010	126	54-862-003	74	56-417-001	135	56-703-004	153
52-228-011	126	54-874-010	38	56-422-001	133	56-703-005	153
52-228-012	126	54-874-011	72	56-423-001	136	56-703-006	154
52-898-XXX-XXX	106	54-874-012	72	56-424-001	134	56-703-007	154
52-960-XXX-XXX	106	54-874-013	72	56-427-001	135	56-703-008	154
52-970-XXX-XXX	112	54-874-014	72	56-5XX-XXX-XXX	144	56-703-009	154
52-971-XXX-XXX	112	54-874-015	72	56-6XX-XXX-XX	145	56-703-010	154
52-978-XXX-XXX	110	54-874-016	72	56-645-002	148	56-703-011	154
52-979-XXX-XXX	110	54-874-017	72	56-700-002	193	56-703-012	154
53-038-XXX-XXX	116	54-874-018	72	56-700-002-JS	193	56-703-013	154
54-310-001	97	54713001X5F101M	77	56-701-001	151	56-703-014	154
54-310-005	97	54713001X5U102P	77	56-701-002	151	56-703-015	154
54-310-009	97	54743001X5U102Z	80	56-701-003	151	56-703-016	154
54-310-039	97	54779001X5F100M	76	56-701-004	151	56-703-017	154
54-310-042	97	54779001X5U102P	76	56-701-005	151	56-703-018	154
54-367-005	87	54790001X5F101M	74	56-701-006	152	56-703-019	154
54-367-006	87	54794002X5R101M	67	56-701-007	152	56-703-020	154
54-367-007	87	54794002X5R471M	67	56-701-008	152	56-703-022	153
54-367-008	87	54794002X5V102P	67	56-701-009	152	56-703-023	153
54-367-049	87	54802002X5R101M	67	56-701-010	152	56-703-024	153
54-367-051	87	54802002X5R471M	67	56-701-011	152	56-703-025	154
54-367-053	87	54802002X5V102P	67	56-701-012	152	56-703-026	154
54-367-054	87	54803004X5R101M	67	56-701-013	152	56-703-027	154
54-367-055	87	54803004X5R471M	67	56-701-014	152	56-703-028	154
54-367-056	87	54803004X5V102P	67	56-701-015	152	56-703-029	154
54-367-057	87	54804002X5R101M	80	56-701-017	152	56-703-030	154
54-367-058	87	54804002X5R471M	80	56-701-018	152	56-703-031	154
54-370-006	87	54804002X5V102P	80	56-701-019	152	56-703-032	154
54-370-007	87	56-102-002	138	56-701-020	152	56-703-033	154
54-370-030	87	56-102-003	138	56-701-021	152	56-703-036	153
54-370-032	87	56-102-004	138	56-701-022	152	56-703-037	154
54-370-033	87	56-102-005	138	56-701-023	152	56-703-038	154
54-370-034	87	56-102-006	138	56-701-024	152	56-703-039	154
54-371-001	87	56-104-002	138	56-701-025	152	56-703-047	153
54-763-008	85	56-104-003	138	56-701-026	152	56-704-001	153
54-763-009	85	56-104-004	138	56-701-028	151	56-704-002	153
54-779-014	76	56-104-005	138	56-701-029	151	56-704-003	153
54-779-015	76	56-104-006	138	56-701-030	151	56-704-004	153
54-779-016	76	56-112-002	138	56-701-031	152	56-704-005	153
54-779-017	76	56-112-003	138	56-701-032	152	56-704-007	153
54-779-018	76	56-112-004	138	56-701-033	152	56-704-008	153
54-779-019	76	56-112-005	138	56-701-034	152	56-704-009	153
54-785-002	67	56-112-006	138	56-701-035	152	56-704-018	153
54-785-005	77	56-114-002	138	56-701-036	152	56-704-035	153
54-785-011	77	56-114-003	138	56-701-037	152	56-705-001	154
54-785-012	77	56-114-004	138	56-701-038	152	56-705-002	154
54-785-013	77	56-114-005	138	56-701-039	152	56-705-003	154
54-785-014	77	56-114-006	138	56-701-040	152	56-705-004	154
54-785-016	77	56-122-002	138	56-701-041	152	56-705-005	154
54-785-017	77	56-122-003	138	56-701-042	152	56-705-008	154
54-786-003	67	56-122-004	138	56-701-047	151	56-705-009	154
54-786-013	79	56-122-005	138	56-701-048	152	56-705-010	154
54-786-014	79	56-122-006	138	56-701-049	152	56-705-026	154
54-786-027	79	56-124-002	138	56-701-050	152	56-705-049	154
54-786-028	79	56-124-003	138	56-701-081	152	56-706-001	154
54-789-003	85	56-124-004	138	56-701-086	151	56-706-002	154
54-790-018	74	56-124-005	138	56-701-087	152	56-706-003	154
54-790-019	74	56-124-006	138	56-702-001	151	56-706-004	154
54-790-020	74	56-201-001	193	56-702-002	151	56-706-005	154
54-790-021	74	56-201-004	193	56-702-003	151	56-706-006	154
54-790-022	74	56-201-006	193	56-702-004	151	56-706-007	154
54-790-023	74	563XXXXXXXXXXXX	173	56-702-005	151	56-706-008	154
54-844-001	85	56-402-001	133	56-702-007	151	56-706-009	154
54-844-002	85	56-403-001	136	56-702-008	151	56-706-017	154

Appendix



Part Number Index

Spectrum part #	Page	Spectrum part #	Page	Spectrum part #	Page	Spectrum part #	Page
56-711-001	155	56-713-014	158	56-721-024	160	56-723-032	162
56-711-002	155	56-713-015	158	56-721-025	160	56-723-033	162
56-711-003	155	56-713-016	158	56-721-026	160	56-723-034	162
56-711-004	155	56-713-017	158	56-721-027	160	56-723-045	161
56-711-005	155	56-713-018	158	56-721-028	160	56-723-046	162
56-711-006	156	56-713-019	158	56-721-029	160	56-723-047	162
56-711-007	156	56-713-020	158	56-721-030	160	56-723-048	162
56-711-008	156	56-713-021	157	56-721-031	160	56-723-069	161
56-711-009	156	56-713-022	157	56-721-032	160	56-724-001	161
56-711-010	156	56-713-023	157	56-721-033	159	56-724-002	161
56-711-011	156	56-713-024	158	56-721-034	159	56-724-003	161
56-711-012	156	56-713-025	158	56-721-035	159	56-724-004	161
56-711-013	156	56-713-026	158	56-721-036	160	56-724-005	161
56-711-014	156	56-713-027	158	56-721-037	160	56-724-008	161
56-711-015	156	56-713-028	158	56-721-038	160	56-724-009	161
56-711-018	156	56-713-029	158	56-721-039	160	56-724-010	161
56-711-019	156	56-713-030	158	56-721-040	160	56-724-021	161
56-711-020	156	56-713-031	158	56-721-041	160	56-724-046	161
56-711-021	156	56-713-032	158	56-721-042	160	56-725-001	162
56-711-022	156	56-713-037	157	56-721-043	160	56-725-002	162
56-711-023	156	56-713-038	158	56-721-044	160	56-725-003	162
56-711-024	156	56-713-039	158	56-721-045	160	56-725-004	162
56-711-025	156	56-713-040	158	56-721-046	160	56-725-005	162
56-711-026	156	56-713-045	157	56-721-047	160	56-725-019	162
56-711-027	156	56-714-001	157	56-721-063	159	56-725-020	162
56-711-028	155	56-714-002	157	56-721-064	160	56-725-021	162
56-711-029	155	56-714-003	157	56-721-065	160	56-725-064	162
56-711-030	155	56-714-004	157	56-721-066	160	56-725-073	162
56-711-031	156	56-714-005	157	56-721-070	160	56-726-001	162
56-711-032	156	56-714-006	157	56-721-111	159	56-726-002	162
56-711-033	156	56-714-007	157	56-721-112	160	56-726-003	162
56-711-034	156	56-714-008	157	56-722-001	159	56-726-004	162
56-711-035	156	56-714-017	157	56-722-002	159	56-726-005	162
56-711-036	156	56-714-031	157	56-722-003	159	56-726-006	162
56-711-037	156	56-715-001	158	56-722-004	159	56-726-007	162
56-711-038	156	56-715-002	158	56-722-005	159	56-726-008	162
56-711-039	156	56-715-003	158	56-722-008	159	56-726-009	162
56-711-040	156	56-715-004	158	56-722-009	159	56-726-021	162
56-711-041	156	56-715-005	158	56-722-010	159	56-731-001	163
56-711-042	156	56-715-007	158	56-722-027	159	56-731-002	163
56-711-048	155	56-715-008	158	56-722-060	159	56-731-003	163
56-711-049	156	56-715-009	158	56-723-001	161	56-731-004	163
56-711-050	156	56-715-015	158	56-723-002	161	56-731-005	163
56-711-051	156	56-715-040	158	56-723-003	161	56-731-006	164
56-711-085	156	56-716-001	158	56-723-004	161	56-731-007	164
56-711-086	156	56-716-002	158	56-723-005	161	56-731-008	164
56-711-088	155	56-716-003	158	56-723-006	162	56-731-009	164
56-712-001	155	56-716-004	158	56-723-007	162	56-731-010	164
56-712-002	155	56-716-005	158	56-723-008	162	56-731-011	164
56-712-003	155	56-716-006	158	56-723-009	162	56-731-012	164
56-712-004	155	56-716-007	158	56-723-010	162	56-731-013	164
56-712-005	155	56-716-008	158	56-723-012	162	56-731-014	164
56-712-007	155	56-716-009	158	56-723-013	162	56-731-015	164
56-712-008	155	56-716-013	158	56-723-014	162	56-731-018	164
56-712-009	155	56-721-001	159	56-723-015	162	56-731-019	164
56-712-017	155	56-721-002	159	56-723-016	162	56-731-020	164
56-712-039	155	56-721-003	159	56-723-017	162	56-731-021	164
56-713-001	157	56-721-004	159	56-723-018	162	56-731-022	164
56-713-002	157	56-721-005	159	56-723-019	162	56-731-023	164
56-713-003	157	56-721-006	160	56-723-020	162	56-731-024	164
56-713-004	157	56-721-007	160	56-723-021	162	56-731-025	164
56-713-005	157	56-721-008	160	56-723-023	161	56-731-026	164
56-713-006	158	56-721-009	160	56-723-024	161	56-731-027	164
56-713-007	158	56-721-010	160	56-723-025	161	56-731-028	163
56-713-008	158	56-721-011	160	56-723-026	162	56-731-029	163
56-713-009	158	56-721-012	160	56-723-027	162	56-731-030	163
56-713-010	158	56-721-013	160	56-723-028	162	56-731-031	164
56-713-011	158	56-721-014	160	56-723-029	162	56-731-032	164
56-713-012	158	56-721-015	160	56-723-030	162	56-731-033	164
56-713-013	158	56-721-022	160	56-723-031	162	56-731-034	164



Part Number Index

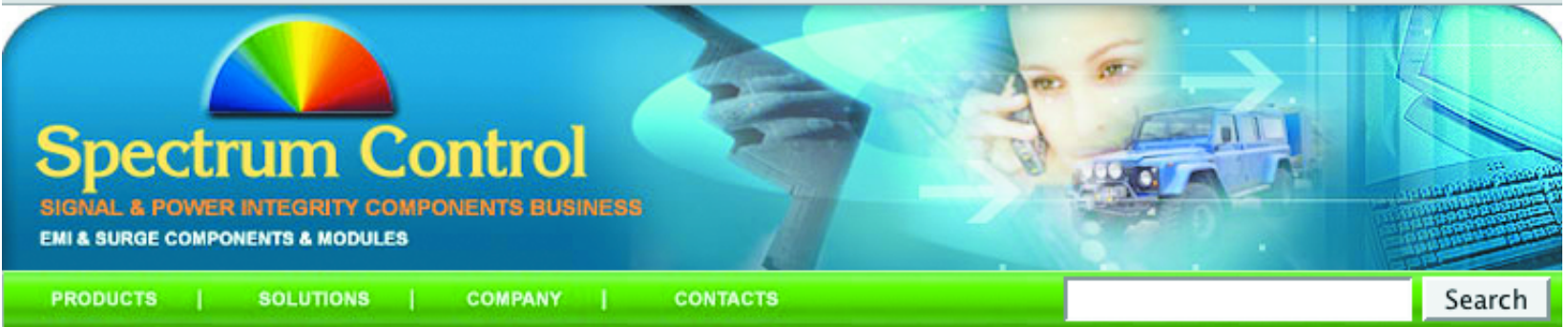
Spectrum part #	Page	Spectrum part #	Page	Spectrum part #	Page	Spectrum part #	Page
56-731-035	164	56-734-012	165	56-742-002	167	56-746-005	170
56-731-036	164	56-734-021	165	56-742-003	167	56-746-006	170
56-731-037	164	56-735-001	166	56-742-004	167	56-746-007	170
56-731-038	164	56-735-002	166	56-742-005	167	56-746-008	170
56-731-039	164	56-735-003	166	56-742-006	167	56-746-009	170
56-731-040	164	56-735-004	166	56-742-007	167	56-746-018	170
56-731-041	164	56-735-005	166	56-742-008	167	56-882-002	186
56-731-042	164	56-735-008	166	56-742-009	167	56-882-003	186
56-731-048	163	56-735-009	166	56-742-022	167	56-882-004	186
56-731-049	164	56-735-010	166	56-743-001	169	56-882-005	186
56-731-050	164	56-735-025	166	56-743-002	169	56-886-002	187
56-731-051	164	56-735-034	166	56-743-003	169	56-886-003	187
56-731-060	164	56-736-001	166	56-743-004	169	56-886-004	187
56-731-076	163	56-736-002	166	56-743-005	169	56-886-005	187
56-731-077	164	56-736-003	166	56-743-006	170	56-889-002	188
56-732-001	163	56-736-004	166	56-743-007	170	56-889-003	188
56-732-002	163	56-736-005	166	56-743-008	170	56-889-004	188
56-732-003	163	56-736-006	166	56-743-009	170	56-889-005	188
56-732-004	163	56-736-007	166	56-743-010	170	56-AXX-XXX-XXXX	190
56-732-005	163	56-736-008	166	56-743-011	170	56-BXX-XXX-X	192
56-732-006	163	56-736-009	166	56-743-012	170	56-EXX-XXX-X-X	182
56-732-007	163	56-736-015	166	56-743-013	170	572019-00100-70	195
56-732-008	163	56-741-001	167	56-743-014	170	572019-00101-70	195
56-732-009	163	56-741-002	167	56-743-015	170	572019-00102-70	195
56-732-023	163	56-741-003	167	56-743-016	170	572019-00103-70	195
56-733-001	165	56-741-004	167	56-743-017	170	572019-00104-70	195
56-733-002	165	56-741-005	167	56-743-018	170	572019-00105-70	195
56-733-003	165	56-741-006	168	56-743-019	170	572019-00106-70	195
56-733-004	165	56-741-007	168	56-743-020	170	572019-00107-70	195
56-733-005	165	56-741-008	168	56-743-021	169	572019-00108-70	195
56-733-006	166	56-741-009	168	56-743-022	169	572019-00109-70	195
56-733-007	166	56-741-010	168	56-743-023	169	57D13-1506-7200	237
56-733-008	166	56-741-011	168	56-743-024	170	57D13-0909-7200	237
56-733-009	166	56-741-012	168	56-743-025	170	57D13-1512-7200	237
56-733-010	166	56-741-013	168	56-743-026	170	57D13-2512-7200	237
56-733-011	166	56-741-014	168	56-743-027	170	57D13-2514-7200	237
56-733-012	166	56-741-015	168	56-743-028	170	57D13-3725-7200	237
56-733-013	166	56-741-017	168	56-743-029	170	57F01-D112-1275	239
56-733-014	166	56-741-018	168	56-743-030	170	57F11-D140-1275	239
56-733-015	166	56-741-019	168	56-743-031	170	57F11-D170-1275	239
56-733-016	166	56-741-020	168	56-743-032	170	57F01-D212-1575	239
56-733-017	166	56-741-021	168	56-743-033	169	57F11-D240-1575	239
56-733-018	166	56-741-022	168	56-743-034	170	57F11-D270-1575	239
56-733-019	166	56-741-023	168	56-743-035	170	57F01-D312-2075	239
56-733-020	166	56-741-024	168	56-743-036	170	57F11-D340-2075	239
56-733-021	166	56-741-025	168	56-743-043	169	57F11-D370-2075	239
56-733-022	166	56-741-026	168	56-744-001	169	57F01-D412-2775	239
56-733-023	166	56-741-027	167	56-744-002	169	57F11-D440-2775	239
56-733-024	166	56-741-028	167	56-744-003	169	57F11-D470-2775	239
56-733-025	166	56-741-029	167	56-744-004	169	57F01-D512-2685	239
56-733-026	166	56-741-030	167	56-744-005	169	57F11-D540-2685	239
56-733-027	166	56-741-031	168	56-744-006	169	57F11-D570-2685	239
56-733-028	166	56-741-032	168	56-744-007	169	57L12-4339-7200	238
56-733-029	166	56-741-033	168	56-744-008	169	57L12-5767-7200	238
56-733-030	166	56-741-034	168	56-744-009	169	57P13-5216-7200	237
56-733-031	166	56-741-035	168	56-744-012	169	57P12-5216-7a200	237
56-733-032	166	56-741-036	168	56-745-001	170	57R13-4004-7200	238
56-733-035	166	56-741-037	168	56-745-002	170	57R13-2004-7200	238
56-733-036	166	56-741-038	168	56-745-003	170	57R13-2006-7200	238
56-733-037	166	56-741-039	168	56-745-004	170	57R13-1608-7200	238
56-733-038	166	56-741-040	168	56-745-005	170	57R13-4012-7200	238
56-733-046	165	56-741-041	168	56-745-006	170	57R13-2512-7200	238
56-734-001	165	56-741-042	167	56-745-007	170	57R13-1913-7200	238
56-734-002	165	56-741-043	168	56-745-008	170	57R13-5013-7200	238
56-734-003	165	56-741-044	168	56-745-019	170	57R13-1616-7200	238
56-734-004	165	56-741-045	168	56-745-027	170	57R13-2020-7200	238
56-734-005	165	56-741-063	168	56-746-001	170	57R13-4022-7200	238
56-734-006	165	56-741-066	167	56-746-002	170	57R13-3737-7200	238
56-734-007	165	56-741-067	168	56-746-003	170	57R13-5140-7200	238
56-734-008	165	56-742-001	167	56-746-004	170	57R13-5025-7200	238

Appendix



Part Number Index

Spectrum part #	Page	Spectrum part #	Page	Spectrum part #	Page	Spectrum part #	Page
57T11-0100-0200	241	M83723/73/74	225	SCI-2320-005	91	SCI-9510-503	83
57T11-0200-0200	241	M83723/77/78	225	SCI-2320-006	91	SCI-9550-102	83
57T11-0362-0200	241	M83723/79	224	SCI-2320-007	91	SCI-9550-332	83
57T11-0400-0200	241	M83723/81	225	SCI-2320-010	91	SCI-9900-000	70
57T12-0050-0330	241	MIL-C-26482	226	SCI-2320-014	91	SCI-9900-153	70
57T12-0075-0330	241	MIL-C-38999-CS	206	SCI-2330-007	93	SCI-9900-303	70
842448-1	62	MIL-C-38999-ES	223	SCI-2330-009	93	SCI-9910-272	70
842448-2	62	MIL-C-83723	222	SCI-2330-010	93	SCI-9910-502	70
9000-103-0019	91	MS27466	207	SCI-2330-012	93	SCI-9920-101	70
9001-100-1010	93	MS27467	215	SCI-2340-004	95	SCI-9920-122	70
9001-100-1013	93	MS27468	208	SCI-2340-009	95	SCI-9920-501	70
9001-100-1025	93	MS27468	214	SCI-2340-013	95	SCI-9925-000	71
9001-100-1080	93	MS27469	214	SCI-2340-014	95	SCI-9925-101	71
9001-100-1081	93	MS27470	214	SCI-2350-000	89	SCI-9925-122	71
9004-100-2017	95	MS27472	210	SCI-2350-001	89	SCI-9925-153	71
9010-100-0049	98	MS27474	210	SCI-2360-006	96	SCI-9925-303	71
9010-100-0054	98	MS27474	216	SCI-2360-007	96	SCI-9925-501	71
9050-100-0011	89	MS27476	217	SCI-2360-011	96	SCI-9925-502	71
9051-100-0000	88	MS27477	216	SCI-2360-014	96	SF0805C101SBNC*	49
9051-101-0018	88	MS27484	216	SCI-3102-000	75	SF0805C220SBNC*	49
9053-100-0001	88	MS27496	207	SCI-3102-002	75	SF0805C221SBNC*	49
9053-100-0002	89	MS27496	215	SCI-3102-007	75	SF0805C470SBNC*	49
9053-100-0008	88	MS27497	209	SCI-3112-000	75	SF0805X102SBNC*	49
9200-300-0025	90	MS27499	210	SCI-3112-002	75	SF0805X222SBNC*	49
9200-303-0095	91	MS27499	217	SCI-3112-007	75	SF0805X223SBNC*	49
9900-381-6004	74	MS27505	208	SCI-3112-100	75	SF0805X471SBNC*	49
9900-381-6005	74	MS27505	215	SCI-3112-102	75	SF1205C101SBNB*	49
9900-381-6006	74	MS27508	209	SCI-3112-107	75	SF1205C220SBNB*	49
9900-381-6013	74	MS27508	217	SCI-3122-000	75	SF1205C221SBNB*	49
9900-381-6020	74	MS27656	208	SCI-3122-002	75	SF1205C470SBNB*	49
9900-381-6021	74	MS3440	228	SCI-3122-007	75	SF1205X102SBNB*	49
9900-381-6022	74	MS3449	229	SCI-3223-000	78	SF1205X222SBNB*	49
9900-381-6026	74	MS3470	228	SCI-3303-000	82	SF1205X223SBNB*	49
9910-381-6002	80	MS3472	228	SCI-3313-000	82	SF1205X471SBNB*	49
9910-381-6003	80	MS3474	229	SCI-3323-000	82	SF1205X473SBND*	49
9910-381-6004	80	MS3475	229	SCI-3513-000	83	SF1806C101SDNB*	49
9920-100-0002	87	PSM1-XXXX-XXX	58	SCI-3523-000	83	SF1806C220SDNB*	49
9923-100-6004	87	PSM4-XXXX-XXX	58	SCI-3543-000	83	SF1806C221SDNB*	49
9932-100-6004	97	SCI-1020-000	88	SCI-3553-000	83	SF1806C470SDNB*	49
9932-100-6005	97	SCI-1020-020	88	SCI-6120-008	98	SF1806C471SDNB*	49
9950-381-6007	77	SCI-1021-000	88	SCI-6120-009	98	SF1806X102SDNB*	49
9950-381-6008	77	SCI-1021-020	88	SCI-6130-009	100	SF1806X103SDNB*	49
9950-381-6009	77	SCI-1150-000	88	SCI-6140-004	101	SF1806X222SDNB*	49
CIN-XXXX-HXXXXX	42	SCI-1150-001	88	SCI-6140-006	101	SF1806X223SDNB*	49
D38999/20	211	SCI-1250-001	89	SCI-6140-007	101	SF1806Y224ZBNE*	49
D38999/20	218	SCI-2030-004	93	SCI-6140-009	101	SSM1-XXXX-XXX	58
D38999/21	218	SCI-2030-005	93	SCI-6320-004	98		
D38999/23	219	SCI-2030-006	93	SCI-6340-004	101		
D38999/24	211	SCI-2030-010	93	SCI-6340-006	101		
D38999/24	219	SCI-2030-013	93	SCI-6340-007	101		
D38999/26	219	SCI-2040-012	95	SCI-9110-100	74		
D38999/40	220	SCI-2040-013	95	SCI-9110-273	74		
D38999/41	220	SCI-2060-007	96	SCI-9110-503	74		
D38999/42	221	SCI-2060-009	96	SCI-9112-273	74		
D38999/44	221	SCI-2060-013	96	SCI-9112-503	74		
D38999/46	221	SCI-2060-014	96	SCI-9120-101	74		
FCB-XXXX-XXXXXX	22	SCI-2120-014	91	SCI-9120-102	74		
FIN-XXXX-XXXXXX	36	SCI-2130-007	93	SCI-9120-103	74		
FPB-XXXX-XXXXXX	30	SCI-2130-009	93	SCI-9120-502	74		
LC0805M103MANA*	55	SCI-2130-014	93	SCI-9122-101	74		
LC0805M104MANA*	55	SCI-2140-004	95	SCI-9122-102	74		
LC0805M223MANA*	55	SCI-2140-006	95	SCI-9122-103	74		
LC0805M224MANA*	55	SCI-2140-007	95	SCI-9122-502	74		
LC0805M473MANA*	55	SCI-2150-000	89	SCI-9200-503	77		
LC1206M103MANA*	55	SCI-2150-001	89	SCI-9210-103	77		
LC1206M104MANA*	55	SCI-2160-011	96	SCI-9210-273	77		
LC1206M223MANA*	55	SCI-2160-012	96	SCI-9220-101	77		
LC1206M224MANA*	55	SCI-2160-013	96	SCI-9220-102	77		
LC1206M473MANA*	55	SCI-2160-014	96	SCI-9220-502	77		
M83723/71/72	224	SCI-2320-004	91	SCI-9310-273	80		



www.specemc.com

Introducing new online tools to help you find the product or system that meets your needs



Instant Inventory Information

Our new Check Stock system allows you to gather instant information regarding a particular component's inventory status at Spectrum Control's network of authorized distributors. Selecting the Check Stock icon will provide you with distributor names, part numbers, quantity on hand, online ordering capability and the last date the inventory was updated for that particular component. Use Check Stock to improve your organization's efficiency by simplifying inventory management and reducing inventory



SPEC SEEKER Online Catalog

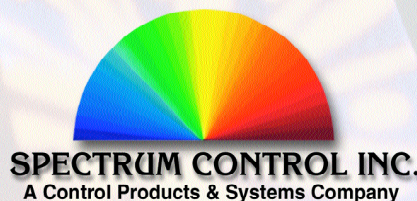
We've made finding the right product for your application easier than ever. By using our new online catalog you can tell us the performance parameters you need and we'll help you locate the appropriate product. You start by identifying your mechanical package, add some required electrical characteristics and we'll show you applicable standard part numbers and how they compare to your specifications.



Online Interactive Design System

New Design Direct allows you to work with our engineers in a collaborative online effort to develop a custom solution tailored to your specific needs. After registering on our site, you'll be able to create and track your project, entirely online. As our engineering team makes changes to your project, you'll receive an e-mail with a direct link to see the current status and provide feedback. Designing a custom solution has never been easier.

To see all of our new online tools, come visit us @ www.spectrumcontrol.com





EMI Filters & Components

- Ferrite beads & inductors*
 - Surface mount filters*
 - Discrete EMI filters*
 - Filter plates*
 - Filter connectors*
 - Gaskets & shielding*
 - Ceramic capacitors*
 - Patch antennas & assemblies*
 - Single line filters*
 - Filtered terminal blocks*
 - Power entry & power line filters*
 - Military/multisection filters*
 - EMC testing*
- www.specemc.com**

Microwave Components & Systems

- Lumped element filters*
 - Cavity filters*
 - Bandpass filters & duplexers*
 - Tubular & waveguide filters*
 - Tower mount amplifiers*
 - Coaxial resonators*
 - Switchable filter bank assemblies*
 - Low noise amplifiers*
 - Local oscillator doublers*
 - Microwave synthesizers*
 - Couplers*
 - Integrated microwave sub-assemblies*
- www.specwave.com**

Power Management Systems

- AC/DC power distribution units & remote reboot power management systems*
 - Circuit protection*
 - Custom assemblies*
 - Power strips*
- www.specpower.com**

Sensors & Controls

- Element segments & wiper assemblies*
 - Rotary precision potentiometers*
 - Linear precision potentiometers*
 - Motorized potentiometers*
 - Hollow shaft potentiometers*
 - Custom & value-added assemblies*
 - Temperature sensing probes*
 - Heaters & assemblies*
 - PTC thermistors*
 - NTC thermistors*
 - Resistance temperature detectors (RTDs)*
- www.specsensors.com**

Represented or Distributed by:



SPECTRUM CONTROL INC.
EMI Filters & Components
www.specemc.com

EMI Filters & Components

8061 Avonia Road
 Fairview, Pennsylvania 16415
 Phone: 814-474-1571
 Fax: 814-474-3110

Corporate Headquarters

8031 Avonia Road
 Fairview, Pennsylvania 16415
 Phone: 814-474-2207
 Fax: 814-474-2208
 www.spectrumcontrol.com

Sales Offices

NORTH AMERICA
 6798 Oak Hall Lane
 Columbia, Maryland 21045
 Phone: 443-259-3491
 Fax: 443-259-8672

EUROPE
 Spectrum Control GmbH
 Hansastrasse 6
 91126 Schwabach, Germany
 Phone: (49)-9122-795-0
 Fax: (49)-9122-795-58

CHINA **NEW**
 Spectrum Control Limited
 2nd Industrial Area
 North Ling Tou Industrial Road
 Qiad Tou Town, Dong Guan City
 Guang Dong Province 523530
 Peoples Republic of China
 Phone: (011)-86-769-8343-7761
 Fax: (011)-86-769-8343-7760

Spectrum Control, Inc. reserves the right to alter the specifications provided in this publication.



X-ON Electronics

Largest Supplier of Electrical and Electronic Components

Click to view similar products for [Terminals](#) category:

Click to view products by [Spectrum](#) manufacturer:

Other Similar products are found below :

[HT-13-10](#) [71M-250-32-NB](#) [01-2065-1-0216](#) [00581P0075](#) [M10-10RX](#) [M10BCK](#) [60205-1](#) [604200-1](#) [60598-1-CUT-TAPE](#) [60617-1-C](#) [60873-1](#) [M14-516R/SK](#) [M14-6RSX](#) [M18-10FLX](#) [M18-8FBX](#) [M18-8R/LX](#) [M18BCK](#) [61314-6-C](#) [61-S](#) [61-SN-A](#) [62-NBM-A](#) [63-S](#) [640179-1](#) [640917-2-CUT-TAPE](#) [6501550002](#) [66107-2-C](#) [66107-4-C](#) [696683-1](#) [696834-1](#) [696861-1](#) [696931-1](#) [696999-1](#) [M8-516RK](#) [M86700006](#) [MA250DMFMX-A](#) [701-2007](#) [701-2307](#) [701-7761-03](#) [70F-110-32-PB](#) [718-N-A](#) [71M-187-20-NBL](#) [71M-250-32-NBL](#) [72F-187-20-NBL](#) [72M-250-32-NBL](#) [7310](#) [73F-250-32](#) [73F-250-32-NBL](#) [73F-250-32-NL](#) [F14-10C](#) [F-1M](#)