

SPECIFICATIONS

ELECTRICAL

RESISTANCE: 5KΩ ±10%
 ELECTRICAL ANGLE: 340° ±1°
 CONTINUITY ANGLE: 352°MIN
 LINEARITY: ±0.5%, INDEPENDENT
 MINIMUM VOLTAGE: 0.1% MAX
 RESOLUTION: VIRTUALLY INFINITE
 OUTPUT SMOOTHNESS: 0.1% MAX
 RESISTANCE TEMPERATURE COEFFICIENT: ±400 PPM/°C MAX
 POWER RATING: 1.5 WATT MAX @ 70°C,
 DERATED TO 0.0 WATT @ 125°C
 WIPER CONTACT CURRENT: 10 MILLIAMPS MAX
 DIELECTRIC STRENGTH: 1,000 VRMS @ 60 Hz
 INSULATION RESISTANCE: 100 MEG OHMS @ 500 VDC

MECHANICAL

ROTATION: CONTINUOUS 360°
 WEIGHT: (1 GANG) 2.0 OZ MAX
 MECH BACKLASH: <0.1°
 START TORQUE: 0.3 OZ-IN MAX
 RUNNING TORQUE: 0.2 OZ-IN MAX
 PILOT RUNOUT: 0.001 T.I.R.
 SHAFT RUNOUT: 0.001 T.I.R.
 SHAFT END PLAY: 0.003 MAX
 SHAFT RADIAL PLAY: 0.001 T.I.R.
 LATERAL RUNOUT: 0.002 T.I.R.

ENVIRONMENTAL

OPERATING TEMPERATURE: -65°C TO +125°C
 ROTATIONAL LIFE: 50 MILLION CYCLES MIN
 DITHER LIFE: 50 MILLION CYCLES @ 60HZ OVER 5°
 SHOCK: SAWTOOTH 100G PEAK PER MIL-STD-202
 METHOD 213, TEST CONDITION I
 VIBRATION: HIGH FREQ; SWEPT 10 - 2000HZ, 15G
 PEAK

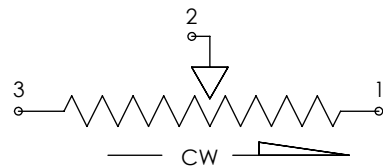
PER MIL-STD-202 TEST CONDITION B

MATERIALS

HOUSING AND COVER: ANODIZED ALUMINUM
 SHAFT: PASSIVATED STAINLESS STEEL
 BEARINGS: PRECISION MINIATURE BALL
 ROTOR: BERYLLIUM COPPER
 CONTACTS: MULTI-FINGER PRECIOUS METAL
 ELEMENT: CO-MOLDED CONDUCTIVE PLASTIC
 TERMINALS: GOLD PLATED BRASS

UNLESS OTHERWISE SPECIFIED

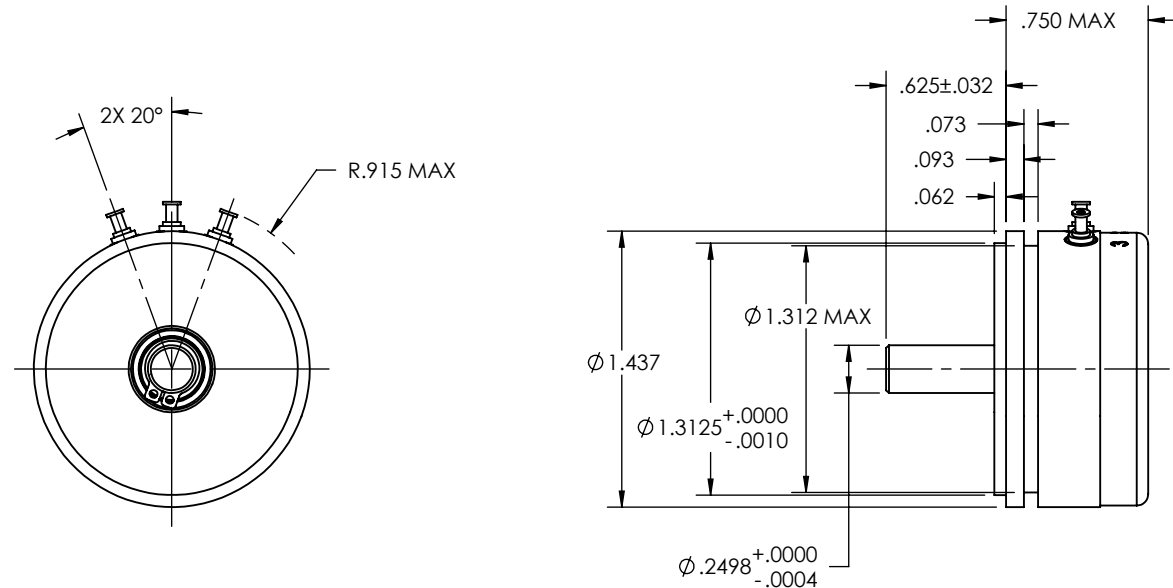
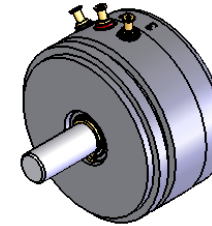
ALL ELECTRICAL, MECHANICAL, AND ENVIRONMENTAL
 SPECIFICATIONS ARE IAW MIL-PRF-39023




INCREASING FUNCTION VIEWED FROM SHAFT END

CUSTOMER:	CATALOG
CUSTOMER DWG/REV:	N/A

CHANGE HISTORY				
REV	DESCRIPTION	DATE	DRAWN	APPROVED
A	RELEASE	10/7/92	--	DARB
B0	ECN 5134	11/20/14	JDD	BD
B1	ECN 6167	7/17/17	JDD	PDC



PROPRIETARY AND CONFIDENTIAL THE INFORMATION CONTAINED IN THIS DRAWING IS THE SOLE PROPERTY OF TE CONNECTIVITY. ANY REPRODUCTION IN PART OR AS A WHOLE WITHOUT THE WRITTEN PERMISSION OF TE CONNECTIVITY IS STRICTLY PROHIBITED.	EAR CONTROL TECHNICAL INFORMATION SUBJECT TO EXPORT ADMINISTRATION REGULATIONS (EAR). THIS TECHNICAL INFORMATION IS PROHIBITED FROM TRANSFER OR DISCLOSURE IN ANY MANNER TO NON-U.S. PERSONS IN THE UNITED STATES OR ABROAD WITHOUT PRIOR APPROVAL BY THE U.S. COMMERCE DEPARTMENT OR APPLICABLE EAR EXEMPTION.		NAME	DATE	
	DIMENSIONS ARE IN INCHES TOLERANCES: ANGULAR ±2° TWO PLACE DECIMAL ±.01 THREE PLACE DECIMAL ±.005 FOUR PLACE DECIMAL ±.0005	MATERIAL	NOTED	DRAWN	
	FINISH	NOTED	CHECKED		
			ENG APPR.		
			MFG APPR.		
			Q.A.		
	DO NOT SCALE DRAWING		Information in this box is for Engineering Reference Only		
			POTENTIOMETER		
			CAGE CODE	DWG. NO.	
			5W885	6015-1002-030	
SHEET 1 OF 1					

X-ON Electronics

Largest Supplier of Electrical and Electronic Components

Click to view similar products for [Industrial Motion & Position Sensors](#) category:

Click to view products by [Spectrum](#) manufacturer:

Other Similar products are found below :

[595002M9474](#) [01071901](#) [D02318603](#) [70U1N048S104U](#) [FE-41164](#) [G8652](#) [G8744](#) [GA1T040F103UA](#) [GA1T100F502UA-A](#)
[GA2E056P102UA](#) [GA2G140F252UA-A](#) [GA2T044S103UA-B](#) [GPS8627](#) [GS2T032F253BA](#) [GS4P048F503UC](#) [GS4T040F503UC](#) [GS8367B](#)
[GS8819](#) [9811405](#) [RDC1010A12](#) [JA3G032P501UA-A](#) [KJ5-M18MB60-AZS](#) [27M226](#) [9810825](#) [9870706](#) [F07008036](#) [SPSN048P202U](#)
[F65118112](#) [GA2G042F103UA](#) [GA2M028S102MC](#) [GA2M028S502RA](#) [GA2T056F502UA](#) [GH8810](#) [25M921](#) [GS8368B](#) [CM47070](#)
[CR121250](#) [31M573](#) [380000M8643](#) [385500M9303](#) [388037M6962](#) [388281M9646](#) [388517025480039](#) [388580038670069](#) [388818078120022](#)
[388860073800031](#) [388C11M9548](#) [388C24160090003](#) [389504075810001](#) [389767001230861](#)