

**SPECIFICATIONS**

**ELECTRICAL**

RESISTANCE: 10KΩ ±10%  
 ELECTRICAL ANGLE: 340° ±2°  
 CONTINUITY ANGLE: 352°MIN  
 LINEARITY: ±0.5% INDEPENDENT  
 MINIMUM VOLTAGE: 0.1% MAX  
 RESOLUTION: VIRTUALLY INFINITE  
 OUTPUT SMOOTHNESS: 0.1% MAX  
 RESISTANCE TEMPERATURE COEFFICIENT: ±400 PPM/°C MAX  
 POWER RATING: 1.5 WATT MAX @ 70°C,  
 DERATED TO 0.0 WATT @ 125°C  
 WIPER CONTACT CURRENT: 10 MILLIAMPS MAX  
 DIELECTRIC STRENGTH: 1,000 VRMS @ 60 Hz  
 INSULATION RESISTANCE: 100 MEG OHMS @ 500 VDC

**MECHANICAL**

ROTATION: CONTINUOUS 360°  
 WEIGHT: (1 GANG) 2.0 OZ MAX  
 MECH BACKLASH: <0.1°  
 START TORQUE: 0.3 OZ-IN MAX  
 RUNNING TORQUE: 0.2 OZ-IN MAX  
 PILOT RUNOUT: 0.001 T.I.R.  
 SHAFT RUNOUT: 0.001 T.I.R.  
 SHAFT END PLAY: 0.003 MAX  
 SHAFT RADIAL PLAY: 0.001 T.I.R.  
 LATERAL RUNOUT: 0.002 T.I.R.

**ENVIRONMENTAL**

OPERATING TEMPERATURE: -65°C TO +125°C  
 ROTATIONAL LIFE: 50 MILLION CYCLES MIN  
 DITHER LIFE: 50 MILLION CYCLES @ 60HZ OVER 5°  
 SHOCK: SAWTOOTH 100G PEAK PER MIL-STD-202  
 METHOD 213, TEST CONDITION I  
 VIBRATION: HIGH FREQ; SWEPT 10 - 2000HZ, 15G  
 PEAK

PER MIL-STD-202 TEST CONDITION B

**MATERIALS**

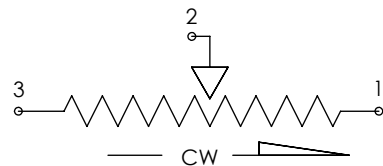
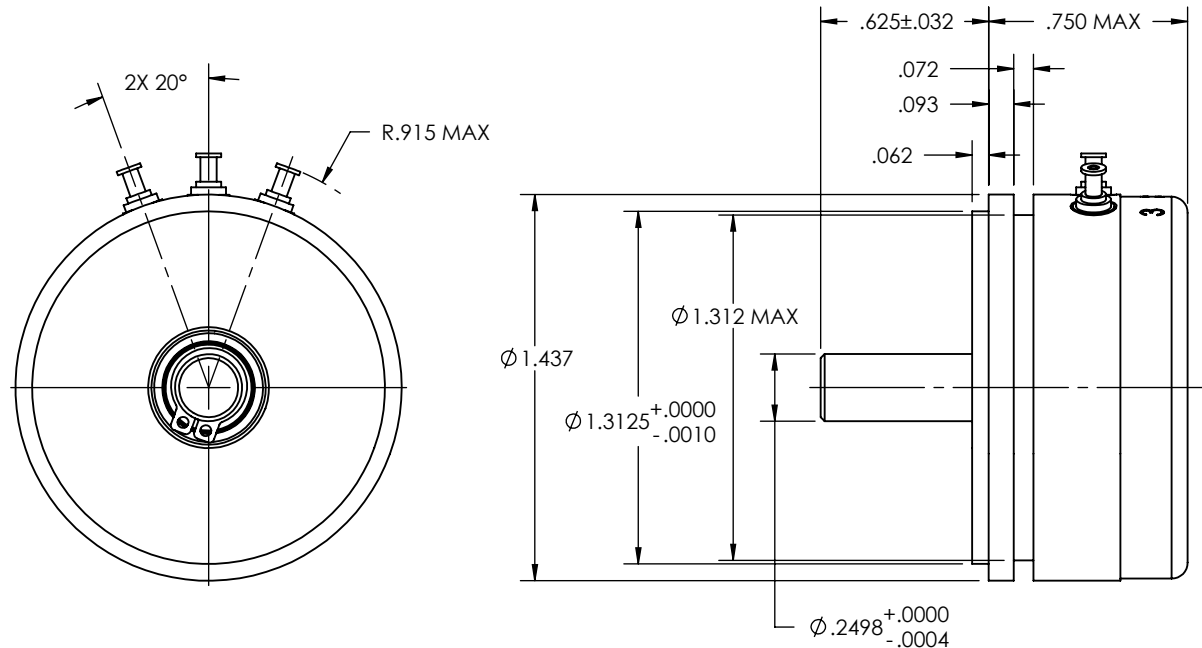
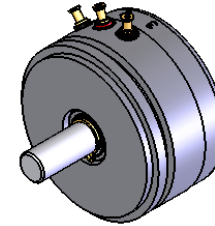
HOUSING AND COVER: ANODIZED ALUMINUM  
 SHAFT: PASSIVATED STAINLESS STEEL  
 BEARINGS: PRECISION MINIATURE BALL  
 ROTOR: BERYLLIUM COPPER  
 CONTACTS: MULTI-FINGER PRECIOUS METAL  
 ELEMENT: CO-MOLDED CONDUCTIVE PLASTIC  
 TERMINALS: GOLD PLATED BRASS

**UNLESS OTHERWISE SPECIFIED**


ALL ELECTRICAL, MECHANICAL, AND ENVIRONMENTAL SPECIFICATIONS ARE IAW MIL-PRF-39023

<b>CUSTOMER:</b>	CATALOG
<b>CUSTOMER DWG/REV:</b>	N/A

CHANGE HISTORY				
REV	DESCRIPTION	DATE	DRAWN	APPROVED
A	RELEASE	10/7/92		DARB
B0	ECN 5137	10/2/14	JDD	BSJ
B1	ECN 6167	7/17/17	JDD	PDC



INCREASING FUNCTION VIEWED FROM SHAFT END

<b>PROPRIETARY AND CONFIDENTIAL</b> THE INFORMATION CONTAINED IN THIS DRAWING IS THE SOLE PROPERTY OF TE CONNECTIVITY. ANY REPRODUCTION IN PART OR AS A WHOLE WITHOUT THE WRITTEN PERMISSION OF TE CONNECTIVITY IS STRICTLY PROHIBITED.	<b>EAR CONTROL</b>					
	TECHNICAL INFORMATION SUBJECT TO EXPORT ADMINISTRATION REGULATIONS (EAR). THIS TECHNICAL INFORMATION IS PROHIBITED FROM TRANSFER OR DISCLOSURE IN ANY MANNER TO NON-U.S. PERSONS IN THE UNITED STATES OR ABROAD WITHOUT PRIOR APPROVAL BY THE U.S. COMMERCE DEPARTMENT OR APPLICABLE EAR EXEMPTION.		NAME	DATE		
	DIMENSIONS ARE IN INCHES TOLERANCES: ANGULAR ±2° TWO PLACE DECIMAL ±.01 THREE PLACE DECIMAL ±.005 FOUR PLACE DECIMAL ±.0005		DRAWN	D. TREE		10/7/92
	FINISH NOTED		CHECKED			
DO NOT SCALE DRAWING		MFG APPR. Q.A.		Information in this box is for Engineering Reference Only		
			<b>POTENTIOMETER</b>			
			CAGE CODE	DWG. NO.		
			5W885	6015-1003-030		

## X-ON Electronics

Largest Supplier of Electrical and Electronic Components

*Click to view similar products for [Industrial Motion & Position Sensors](#) category:*

*Click to view products by [Spectrum](#) manufacturer:*

Other Similar products are found below :

[595002M9474](#) [01071901](#) [D02318603](#) [70U1N048S104U](#) [FE-41164](#) [G8652](#) [G8744](#) [GA1T040F103UA](#) [GA1T100F502UA-A](#)  
[GA2E056P102UA](#) [GA2G140F252UA-A](#) [GA2T044S103UA-B](#) [GPS8627](#) [GS2T032F253BA](#) [GS4P048F503UC](#) [GS4T040F503UC](#) [GS8367B](#)  
[GS8819](#) [9811405](#) [RDC1010A12](#) [JA3G032P501UA-A](#) [KJ5-M18MB60-AZS](#) [27M226](#) [9810825](#) [9870706](#) [F07008036](#) [SPSN048P202U](#)  
[F65118112](#) [GA2G042F103UA](#) [GA2M028S102MC](#) [GA2M028S502RA](#) [GA2T056F502UA](#) [GH8810](#) [25M921](#) [GS8368B](#) [CM47070](#)  
[CR121250](#) [31M573](#) [380000M8643](#) [385500M9303](#) [388037M6962](#) [388281M9646](#) [388517025480039](#) [388580038670069](#) [388818078120022](#)  
[388860073800031](#) [388C11M9548](#) [388C24160090003](#) [389504075810001](#) [389767001230861](#)