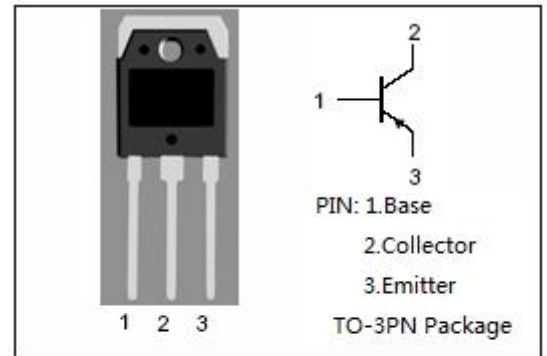


## Silicon PNP Power Transistor

### DESCRIPTION

- DC Current Gain-  
:  $h_{FE} = 25(\text{Min}) @ I_C = -1.5\text{A}$
- Collector-Emitter Sustaining Voltage-  
:  $V_{CEO(\text{SUS})} = -100\text{V}(\text{Min})$
- Complement to Type TIP35C
- Current Gain-Bandwidth Product-  
:  $f_T = 3.0\text{MHz}(\text{Min}) @ I_C = -1.0\text{A}$

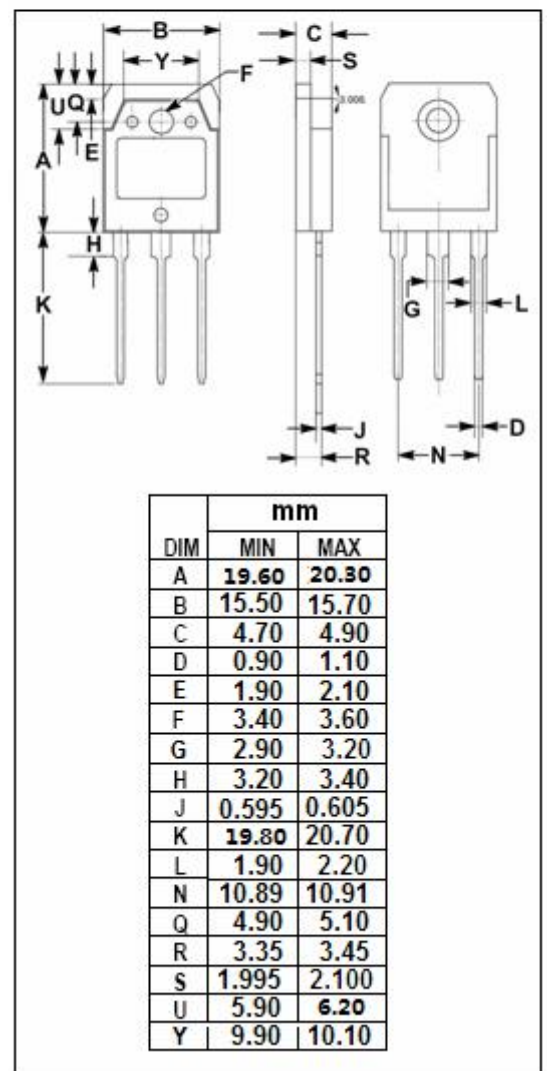


### APPLICATIONS

- Designed for use in general purpose power amplifier and switching applications.

### ABSOLUTE MAXIMUM RATINGS ( $T_a = 25^\circ\text{C}$ )

SYMBOL	PARAMETER	VALUE	UNIT
$V_{CBO}$	Collector-Base Voltage	-100	V
$V_{CEO}$	Collector-Emitter Voltage	-100	V
$V_{EBO}$	Emitter-Base Voltage	-5	V
$I_C$	Collector Current-Continuous	-25	A
$I_{CM}$	Collector Current-peak	-40	A
$I_B$	Base Current	-5	A
$P_C$	Collector Power Dissipation@ $T_c = 25^\circ\text{C}$	125	W
$T_j$	Junction Temperature	150	$^\circ\text{C}$
$T_{stg}$	Storage Temperature Range	-65~150	$^\circ\text{C}$



### THERMAL CHARACTERISTICS

SYMBOL	PARAMETER	MAX	UNIT
$R_{th\ j-c}$	Thermal Resistance, Junction to Case	1.0	$^\circ\text{C}/\text{W}$

### Ordering Information

Product	Package	Packaging
TIP36CT4TL	TO-3PN	Tube



## ELECTRICAL CHARACTERISTICS

T<sub>c</sub>=25°C unless otherwise specified

SYMBOL	PARAMETER	CONDITIONS	MIN	MAX	UNIT
V <sub>CE0(SUS)</sub>	Collector-Emitter Sustaining Voltage	I <sub>C</sub> = -30mA ; I <sub>B</sub> = 0	-100		V
V <sub>CE(sat)-1</sub>	Collector-Emitter Saturation Voltage	I <sub>C</sub> = -15A ; I <sub>B</sub> = -1.5A		-1.8	V
V <sub>CE(sat)-2</sub>	Collector-Emitter Saturation Voltage	I <sub>C</sub> = -25A ; I <sub>B</sub> = -5A		-4.0	V
V <sub>BE(on)-1</sub>	Base-Emitter On Voltage	I <sub>C</sub> = -15A ; V <sub>CE</sub> = -4V		-2.0	V
V <sub>BE(on)-2</sub>	Base-Emitter On Voltage	I <sub>C</sub> = -25A ; V <sub>CE</sub> = -4V		-4.0	V
I <sub>CEO</sub>	Collector Cutoff Current	V <sub>CE</sub> = -60V ; I <sub>B</sub> = 0		-1.0	mA
I <sub>CBO</sub>	Collector Cutoff Current	V <sub>CB</sub> = -100V ; I <sub>E</sub> = 0		-0.7	mA
I <sub>EBO</sub>	Emitter Cutoff Current	V <sub>EB</sub> = -5V ; I <sub>C</sub> = 0		-1.0	mA
h <sub>FE-1</sub>	DC Current Gain	I <sub>C</sub> = -1.5A ; V <sub>CE</sub> = -4V	25		
h <sub>FE-2</sub>	DC Current Gain	I <sub>C</sub> = -15A ; V <sub>CE</sub> = -4V	15	75	
f <sub>T</sub>	Current-Gain—Bandwidth Product	I <sub>C</sub> = -1A ; V <sub>CE</sub> = -10V ; f <sub>test</sub> = 1.0MHz	3		MHz

## X-ON Electronics

Largest Supplier of Electrical and Electronic Components

*Click to view similar products for [Bipolar Transistors - BJT category](#):*

*Click to view products by [SPS manufacturer](#):*

Other Similar products are found below :

[619691C](#) [MCH4017-TL-H](#) [MJ15024/WS](#) [MJ15025/WS](#) [BC546/116](#) [BC556/FSC](#) [BC557/116](#) [BSW67A](#) [HN7G01FU-A\(T5L,F,T](#)  
[NJVMJD148T4G](#) [NSVMMBT6520LT1G](#) [NTE187A](#) [NTE195A](#) [NTE2302](#) [NTE2330](#) [NTE2353](#) [NTE316](#) [IMX9T110](#) [NTE63](#) [NTE65](#)  
[C4460](#) [SBC846BLT3G](#) [2SA1419T-TD-H](#) [2SA1721-O\(TE85L,F\)](#) [2SA1727TLP](#) [2SA2126-E](#) [2SB1202T-TL-E](#) [2SB1204S-TL-E](#) [2SC5488A-](#)  
[TL-H](#) [2SD2150T100R](#) [SP000011176](#) [FMC5AT148](#) [2N2369ADCSM](#) [2SB1202S-TL-E](#) [2SC2412KT146S](#) [2SC4618TLN](#) [2SC5490A-TL-H](#)  
[2SD1816S-TL-E](#) [2SD1816T-TL-E](#) [CMXT2207 TR](#) [CPH6501-TL-E](#) [MCH4021-TL-E](#) [BC557B](#) [TTC012\(Q\)](#) [BULD128DT4](#) [JANTX2N3810](#)  
[Jantx2N5416](#) [US6T6TR](#) [KSF350](#) [068071B](#)