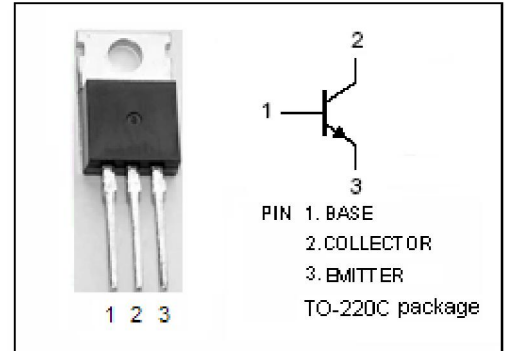


Silicon NPN Power Transistor

2SC5027

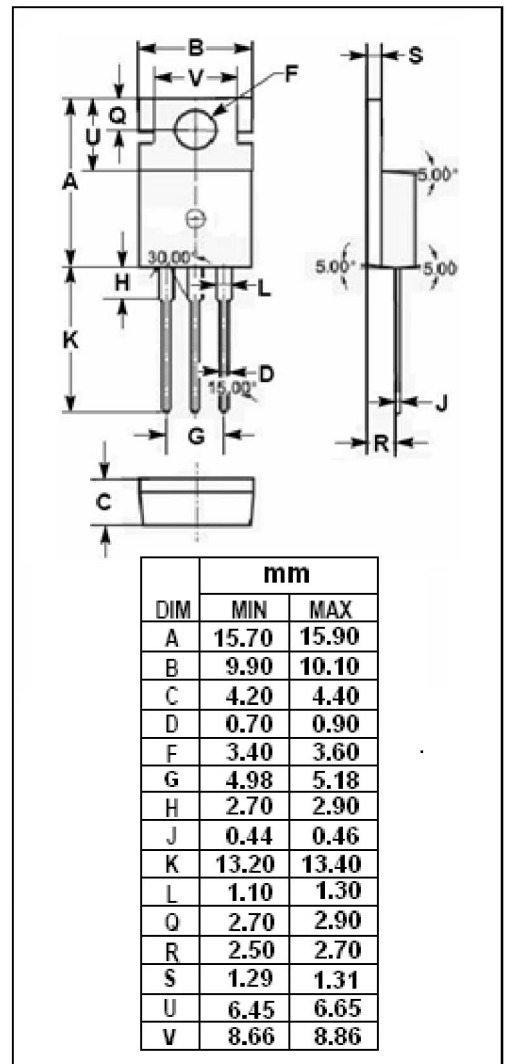
DESCRIPTION

- Collector-Emitter Breakdown Voltage-
: $V_{(BR)CEO} = 800V(\text{Min})$
- High Switching Speed
- Wide SOA



ABSOLUTE MAXIMUM RATINGS($T_a=25^\circ\text{C}$)

SYMBOL	PARAMETER	VALUE	UNIT
V_{CBO}	Collector-Base Voltage	850	V
V_{CEO}	Collector-Emitter Voltage	800	V
V_{EBO}	Emitter-Base Voltage	7	V
I_C	Collector Current-Continuous	3	A
I_{CM}	Collector Current-Peak	10	A
I_B	Base Current-Continuous	1.5	A
P_C	Collector Power Dissipation @ $T_C=25^\circ\text{C}$	50	W
T_J	Junction Temperature	150	$^\circ\text{C}$
T_{stg}	Storage Temperature	-55~150	$^\circ\text{C}$



Silicon NPN Power Transistor

2SC5027

ELECTRICAL CHARACTERISTICS

T_j=25°C unless otherwise specified

SYMBOL	PARAMETER	CONDITIONS	MIN	TYP.	MAX	UNIT
BV _{EBO}	Emitter -Base Breakdown Voltage	I _E = 1mA; I _C = 0	7			V
BV _{CEO}	Collector- Emitter Breakdown Voltage	I _C = 5mA; I _B = 0	800			V
BV _{CBO}	Collector- Base Breakdown Voltage	I _C = 1mA; I _E = 0	850			V
V _{CE(sat)}	Collector-Emitter Saturation Voltage	I _C = 1.5A; I _B = 0.3A			2.0	V
V _{BE(sat)}	Base-Emitter Saturation Voltage	I _C = 1.5A; I _B = 0.3A			1.5	V
I _{CBO}	Collector Cutoff Current	V _{CB} = 800V; I _E = 0			10	μ A
I _{EBO}	Emitter Cutoff Current	V _{EB} = 5V; I _C = 0			10	μ A
h _{FE}	DC Current Gain	I _C = 0.2A; V _{CE} = 5V	10		40	
h _{FE}	DC Current Gain	I _C = 1A; V _{CE} = 5V	8			
C _{OB}	Output Capacitance	I _E = 0; V _{CB} = 10V; f= 1MHz		60		pF
f _T	Current-Gain—Bandwidth Product	I _E = 0.2A; V _{CE} = 10V		15		MHz

Switching Times

t _{on}	Turn-On Time	I _C =5I _{B1} =-2.5 I _{B2} =2A; V _{CC} = 400V; R _L = 200 Ω			0.5	μ s
t _{stg}	Storage Time				3.0	μ s
t _f	Fall Time				0.3	μ s

X-ON Electronics

Largest Supplier of Electrical and Electronic Components

Click to view similar products for [Bipolar Transistors - BJT category](#):

Click to view products by [SPTECH manufacturer](#):

Other Similar products are found below :

[619691C](#) [MCH4017-TL-H](#) [MJ15024/WS](#) [MJ15025/WS](#) [BC546/116](#) [BC556/FSC](#) [BC557/116](#) [BSW67A](#) [HN7G01FU-A\(T5L,F,T](#)
[NJVMJD148T4G](#) [NSVMMBT6520LT1G](#) [NTE187A](#) [NTE195A](#) [NTE2302](#) [NTE2330](#) [NTE2353](#) [NTE316](#) [IMX9T110](#) [NTE63](#) [NTE65](#)
[C4460](#) [SBC846BLT3G](#) [2SA1419T-TD-H](#) [2SA1721-O\(TE85L,F\)](#) [2SA1727TLP](#) [2SA2126-E](#) [2SB1202T-TL-E](#) [2SB1204S-TL-E](#) [2SC5488A-](#)
[TL-H](#) [2SD2150T100R](#) [SP000011176](#) [FMC5AT148](#) [2N2369ADCSM](#) [2SB1202S-TL-E](#) [2SC2412KT146S](#) [2SC4618TLN](#) [2SC5490A-TL-H](#)
[2SD1816S-TL-E](#) [2SD1816T-TL-E](#) [CMXT2207 TR](#) [CPH6501-TL-E](#) [MCH4021-TL-E](#) [BC557B](#) [TTC012\(Q\)](#) [BULD128DT4](#) [JANTX2N3810](#)
[Jantx2N5416](#) [US6T6TR](#) [KSF350](#) [068071B](#)