

**DESCRIPTION**

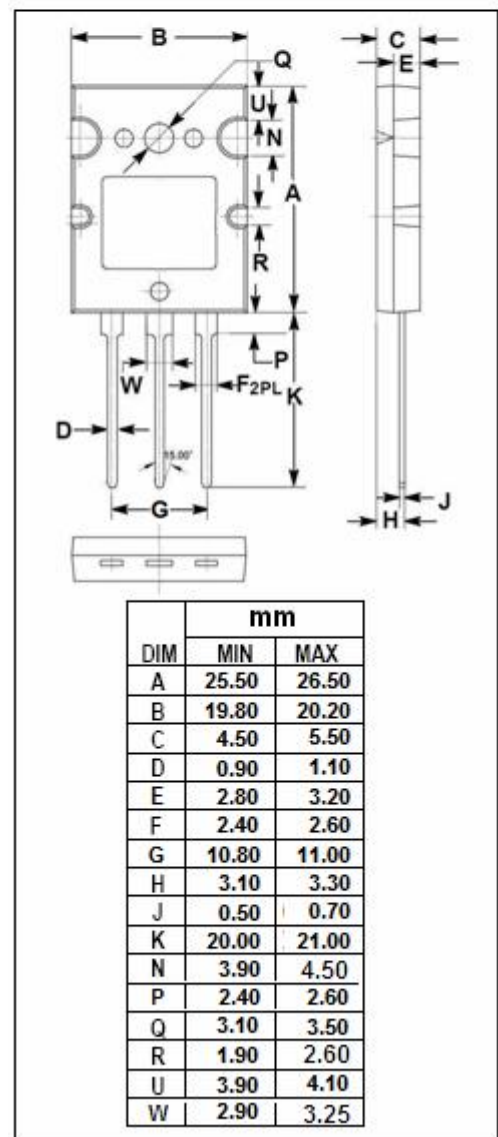
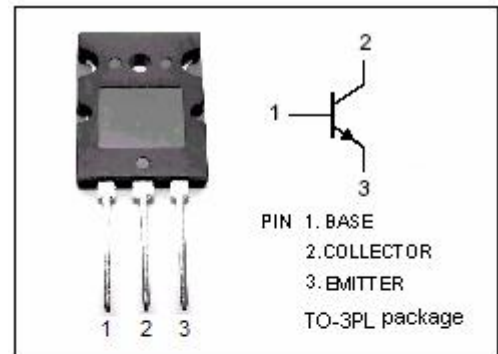
- High Current Capability
- High Power Dissipation
- High Collector-Emitter Breakdown Voltage-  
:  $V_{(BR)CEO} = 230V(\text{Min})$
- Complement to Type 2SA1943

**APPLICATIONS**

- Power amplifier applications
- Recommend for 100W high fidelity audio frequency amplifier output stage applications

**ABSOLUTE MAXIMUM RATINGS(Ta=25°C)**

SYMBOL	PARAMETER	VALUE	UNIT
$V_{CBO}$	Collector-Base Voltage	230	V
$V_{CEO}$	Collector-Emitter Voltage	230	V
$V_{EBO}$	Emitter-Base Voltage	5	V
$I_C$	Collector Current-Continuous	15	A
$I_B$	Base Current-Continuous	1.5	A
$P_C$	Collector Power Dissipation @ $T_C = 25^\circ\text{C}$	150	W
$T_J$	Junction Temperature	150	°C
$T_{stg}$	Storage Temperature Range	-55~150	°C



**ELECTRICAL CHARACTERISTICS**

$T_C=25^{\circ}\text{C}$  unless otherwise specified

SYMBOL	PARAMETER	CONDITIONS	MIN	TYP.	MAX	UNIT
$V_{(BR)CEO}$	Collector-Emitter Breakdown Voltage	$I_C= 50\text{mA}$ ; $I_B= 0$	230			V
$V_{CE(sat)}$	Collector-Emitter Saturation Voltage	$I_C= 8.0\text{A}$ ; $I_B= 0.8\text{A}$			3.0	V
$V_{BE(on)}$	Base-Emitter On Voltage	$I_C= 7\text{A}$ ; $V_{CE}= 5\text{V}$			1.5	V
$I_{CBO}$	Collector Cutoff Current	$V_{CB}= 230\text{V}$ ; $I_E= 0$			5	$\mu\text{A}$
$I_{EBO}$	Emitter Cutoff Current	$V_{EB}= 5\text{V}$ ; $I_C= 0$			5	$\mu\text{A}$
$h_{FE-1}$	DC Current Gain	$I_C= 1\text{A}$ ; $V_{CE}= 5\text{V}$	55		160	
$h_{FE-2}$	DC Current Gain	$I_C= 7\text{A}$ ; $V_{CE}= 5\text{V}$	35			
$C_{OB}$	Output Capacitance	$I_E=0$ ; $V_{CB}= 10\text{V}$ ; $f= 1.0\text{MHz}$		200		pF
$f_T$	Current-Gain—Bandwidth Product	$I_C=1\text{A}$ ; $V_{CE}= 5\text{V}$		30		MHz

◆  **$h_{FE-1}$  Classifications**

R	O
55-110	80-160

## X-ON Electronics

Largest Supplier of Electrical and Electronic Components

*Click to view similar products for [Bipolar Transistors - BJT category](#):*

*Click to view products by [SPTECH manufacturer](#):*

Other Similar products are found below :

[619691C](#) [MCH4017-TL-H](#) [MJ15024/WS](#) [MJ15025/WS](#) [BC546/116](#) [BC556/FSC](#) [BC557/116](#) [BSW67A](#) [HN7G01FU-A\(T5L,F,T](#)  
[NJVMJD148T4G](#) [NSVMMBT6520LT1G](#) [NTE187A](#) [NTE195A](#) [NTE2302](#) [NTE2330](#) [NTE2353](#) [NTE316](#) [IMX9T110](#) [NTE63](#) [NTE65](#)  
[C4460](#) [SBC846BLT3G](#) [2SA1419T-TD-H](#) [2SA1721-O\(TE85L,F\)](#) [2SA1727TLP](#) [2SA2126-E](#) [2SB1202T-TL-E](#) [2SB1204S-TL-E](#) [2SC5488A-](#)  
[TL-H](#) [2SD2150T100R](#) [SP000011176](#) [FMC5AT148](#) [2N2369ADCSM](#) [2SB1202S-TL-E](#) [2SC2412KT146S](#) [2SC4618TLN](#) [2SC5490A-TL-H](#)  
[2SD1816S-TL-E](#) [2SD1816T-TL-E](#) [CMXT2207 TR](#) [CPH6501-TL-E](#) [MCH4021-TL-E](#) [BC557B](#) [TTC012\(Q\)](#) [BULD128DT4](#) [JANTX2N3810](#)  
[Jantx2N5416](#) [US6T6TR](#) [KSF350](#) [068071B](#)