

SPTECH Silicon NPN Darlington Power Transistor 2SD1071

DESCRIPTION

- Low Collector Saturation Voltage
- High DC Current Gain
- High Reliability

APPLICATIONS

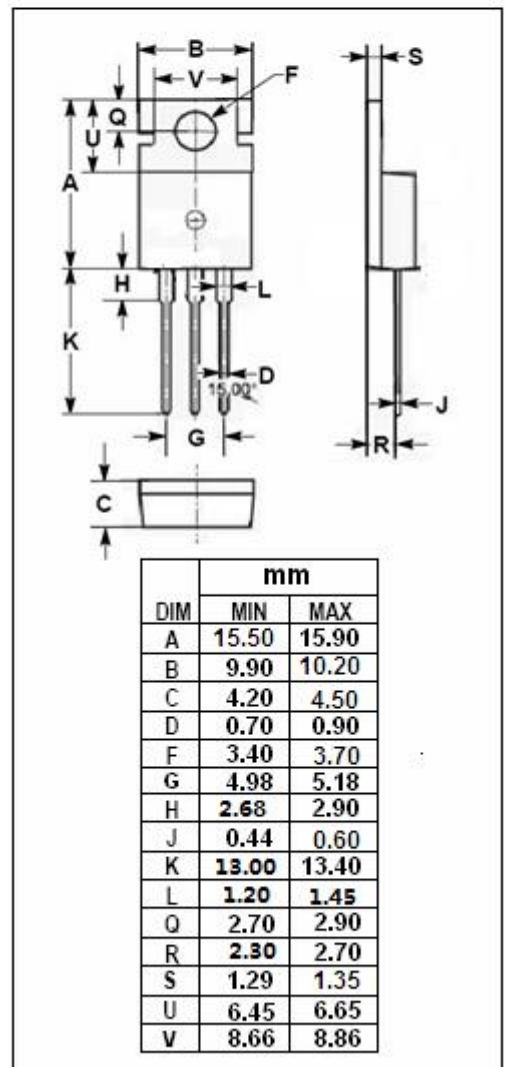
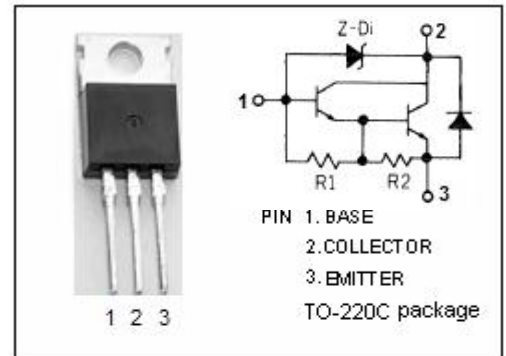
- Audio power amplifiers
- Relay & solenoid drivers
- Motor controls
- General purpose power amplifiers
- Including zener diode

ABSOLUTE MAXIMUM RATINGS(T_a=25°C)

SYMBOL	PARAMETER	VALUE	UNIT
V _{CBO}	Collector-Base Voltage	450	V
V _{CEO(SUS)}	Collector-Emitter Voltage	300	V
V _{EB0}	Emitter-Base Voltage	6	V
V _Z	Zener Voltage	300	V
I _C	Collector Current-Continuous	6	A
I _B	Base Current-Continuous	2.5	A
P _C	Collector Power Dissipation @ T _C =25°C	40	W
T _J	Junction Temperature	150	°C
T _{stg}	Storage Temperature Range	-40~150	°C

THERMAL CHARACTERISTICS

SYMBOL	PARAMETER	MAX	UNIT
R _{thj-c}	Thermal Resistance, Junction to Case	3.0	°C/W



SPTECH Silicon NPN Darlington Power Transistor 2SD1071

ELECTRICAL CHARACTERISTICS

T_c=25°C unless otherwise specified

SYMBOL	PARAMETER	CONDITIONS	MIN	TYP.	MAX	UNIT
V _Z	Zener Voltage	I _Z = 0.1mA	300		450	V
V _{(BR)EBO}	Emitter-Base Breakdown Voltage	I _E = 5mA; I _C = 0	6			V
V _{CE(sat)}	Collector-Emitter Saturation Voltage	I _C = 4A; I _B = 15mA			1.5	V
V _{BE(sat)}	Base-Emitter Saturation Voltage	I _C = 4A; I _B = 15mA			2.0	V
I _{CBO}	Collector Cutoff Current	V _{CB} = 300V; I _E = 0			0.1	mA
I _{EBO}	Emitter Cutoff Current	V _{EB} = 6V; I _C =0			5	mA
h _{FE}	DC Current Gain	I _C = 4A; V _{CE} = 2V	500			

X-ON Electronics

Largest Supplier of Electrical and Electronic Components

Click to view similar products for [Bipolar Transistors - BJT category](#):

Click to view products by [SPTECH manufacturer](#):

Other Similar products are found below :

[619691C](#) [MCH4017-TL-H](#) [MJ15024/WS](#) [MJ15025/WS](#) [BC546/116](#) [BC556/FSC](#) [BC557/116](#) [BSW67A](#) [HN7G01FU-A\(T5L,F,T](#)
[NJVMJD148T4G](#) [NSVMMBT6520LT1G](#) [NTE187A](#) [NTE195A](#) [NTE2302](#) [NTE2330](#) [NTE2353](#) [NTE316](#) [IMX9T110](#) [NTE63](#) [NTE65](#)
[C4460](#) [SBC846BLT3G](#) [2SA1419T-TD-H](#) [2SA1721-O\(TE85L,F\)](#) [2SA1727TLP](#) [2SA2126-E](#) [2SB1202T-TL-E](#) [2SB1204S-TL-E](#) [2SC5488A-](#)
[TL-H](#) [2SD2150T100R](#) [SP000011176](#) [FMC5AT148](#) [2N2369ADCSM](#) [2SB1202S-TL-E](#) [2SC2412KT146S](#) [2SC4618TLN](#) [2SC5490A-TL-H](#)
[2SD1816S-TL-E](#) [2SD1816T-TL-E](#) [CMXT2207 TR](#) [CPH6501-TL-E](#) [MCH4021-TL-E](#) [BC557B](#) [TTC012\(Q\)](#) [BULD128DT4](#) [JANTX2N3810](#)
[Jantx2N5416](#) [US6T6TR](#) [KSF350](#) [068071B](#)