

SPTECH Silicon NPN Darlington Power Transistor

2SD1525

DESCRIPTION

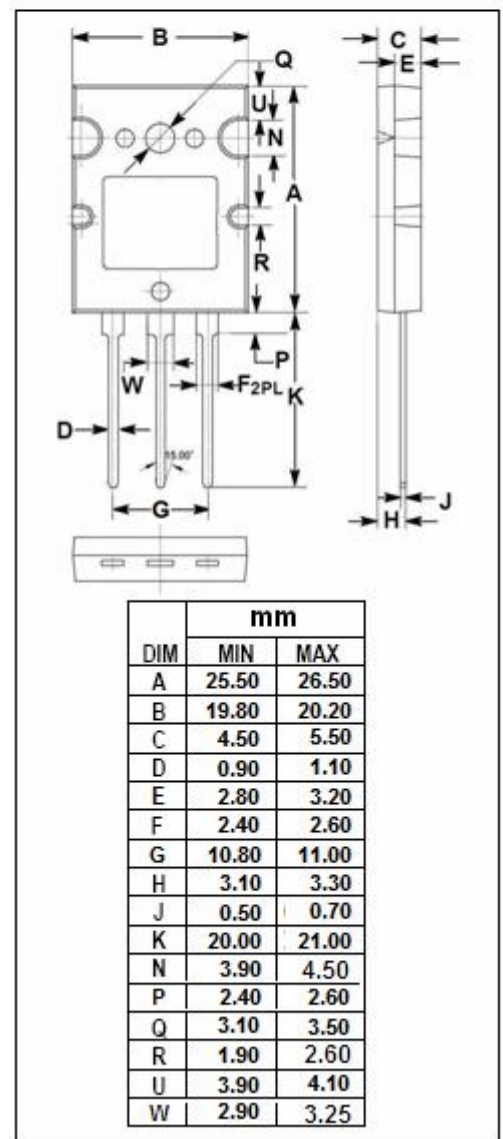
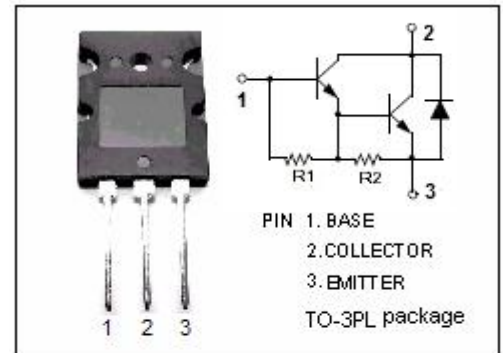
- High DC Current Gain
: $h_{FE} = 1000(\text{Min.}) @ I_C = 20A$
- Collector-Emitter Breakdown Voltage-
: $V_{(BR)CEO} = 100V(\text{Min.})$

APPLICATIONS

- Designed for high current switching applications.

ABSOLUTE MAXIMUM RATINGS($T_a=25^\circ\text{C}$)

SYMBOL	PARAMETER	VALUE	UNIT
V_{CBO}	Collector-Base Voltage	100	V
V_{CEO}	Collector-Emitter Voltage	100	V
V_{EBO}	Emitter-Base Voltage	5	V
I_C	Collector Current-Continuous	30	A
I_B	Base Current- Continuous	5	A
P_C	Collector Power Dissipation @ $T_C=25^\circ\text{C}$	150	W
T_j	Junction Temperature	150	$^\circ\text{C}$
T_{stg}	Storage Temperature Range	-55~150	$^\circ\text{C}$



SPTECH Silicon NPN Darlington Power Transistor 2SD1525

ELECTRICAL CHARACTERISTICS

$T_C=25^\circ\text{C}$ unless otherwise specified

SYMBOL	PARAMETER	CONDITIONS	MIN	TYP.	MAX	UNIT
$V_{(BR)CEO}$	Collector-Emitter Breakdown Voltage	$I_C= 30\text{mA}, I_B= 0$	100			V
$V_{CE(sat)}$	Collector-Emitter Saturation Voltage	$I_C= 20\text{A}, I_B= 0.2\text{A}$			1.5	V
$V_{BE(sat)}$	Base-Emitter Saturation Voltage	$I_C= 20\text{A}, I_B= 0.2\text{A}$			2.5	V
I_{CBO}	Collector Cutoff current	$V_{CB}= 100\text{V}, I_E= 0$			0.1	mA
I_{EBO}	Emitter Cutoff current	$V_{EB}= 5\text{V}, I_C= 0$			10	mA
h_{FE-1}	DC Current Gain	$I_C= 20\text{A}; V_{CE}= 5\text{V}$	1000			
h_{FE-2}	DC Current Gain	$I_C= 30\text{A}; V_{CE}= 5\text{V}$	200			
V_{ECF}	C-E Diode Forward Voltage	$I_F= 10\text{A}$			3.0	V
f_T	Current-Gain—Bandwidth Product	$I_C= 1\text{A}; V_{CE}= 5\text{V}$		10		MHz
C_{OB}	Output Capacitance	$I_E= 0; V_{CB}= 10\text{V}; f_{test}= 1\text{MHz}$		500		pF

Switching Times

t_{on}	Turn-On Time	$I_{B1} = I_{B2}= 10\text{mA}; V_{CC}= 50\text{V}; R_L= 10\ \Omega$		1.5		μs
t_{stg}	Storage Time			10		μs
t_f	Fall Time			1.5		μs

X-ON Electronics

Largest Supplier of Electrical and Electronic Components

Click to view similar products for [Bipolar Transistors - BJT category](#):

Click to view products by [SPTECH manufacturer](#):

Other Similar products are found below :

[619691C](#) [MCH4017-TL-H](#) [MJ15024/WS](#) [MJ15025/WS](#) [BC546/116](#) [BC556/FSC](#) [BC557/116](#) [BSW67A](#) [HN7G01FU-A\(T5L,F,T](#)
[NJVMJD148T4G](#) [NSVMMBT6520LT1G](#) [NTE187A](#) [NTE195A](#) [NTE2302](#) [NTE2330](#) [NTE2353](#) [NTE316](#) [IMX9T110](#) [NTE63](#) [NTE65](#)
[C4460](#) [SBC846BLT3G](#) [2SA1419T-TD-H](#) [2SA1721-O\(TE85L,F\)](#) [2SA1727TLP](#) [2SA2126-E](#) [2SB1202T-TL-E](#) [2SB1204S-TL-E](#) [2SC5488A-](#)
[TL-H](#) [2SD2150T100R](#) [SP000011176](#) [FMC5AT148](#) [2N2369ADCSM](#) [2SB1202S-TL-E](#) [2SC2412KT146S](#) [2SC4618TLN](#) [2SC5490A-TL-H](#)
[2SD1816S-TL-E](#) [2SD1816T-TL-E](#) [CMXT2207 TR](#) [CPH6501-TL-E](#) [MCH4021-TL-E](#) [BC557B](#) [TTC012\(Q\)](#) [BULD128DT4](#) [JANTX2N3810](#)
[Jantx2N5416](#) [US6T6TR](#) [KSF350](#) [068071B](#)