

SPTECH Silicon NPN Power Transistor

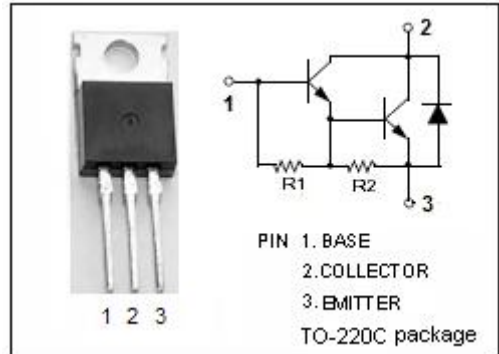
BU941T

DESCRIPTION

- High Voltage
- DARLINGTON

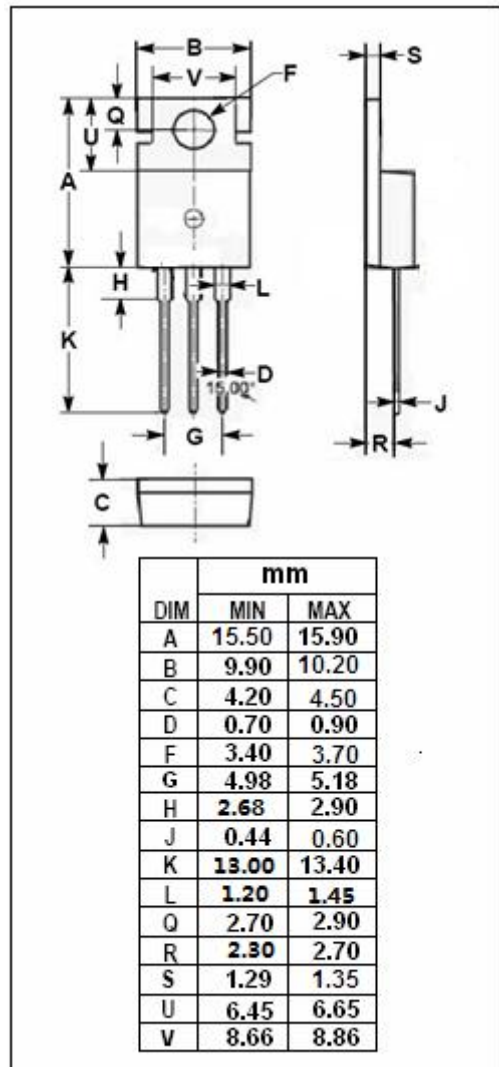
APPLICATIONS

- High ruggedness electronic ignitions
- High voltage ignition coil driver



ABSOLUTE MAXIMUM RATINGS (T_a=25°C)

SYMBOL	PARAMETER	VALUE	UNIT
V _{CBO}	Collector-Base Voltage	500	V
V _{CEO}	Collector-Emitter Voltage	400	V
V _{EBO}	Emitter-Base Voltage	5	V
I _C	Collector Current- Continuous	15	A
I _{CM}	Collector Current-Peak	30	A
I _B	Base Current	1	A
I _{BM}	Base Current-Peak	5	A
P _C	Collector Power Dissipation @T _c =25°C	150	W
T _j	Junction Temperature	150	°C
T _{stg}	Storage Temperature Range	-65~150	°C



THERMAL CHARACTERISTICS

SYMBOL	PARAMETER	MAX	UNIT
R _{th j-c}	Thermal Resistance, Junction to Case	1.2	°C/W

ELECTRICAL CHARACTERISTICS

$T_c=25^{\circ}\text{C}$ unless otherwise specified

SYMBOL	PARAMETER	CONDITIONS	MIN	TYP	MAX	UNIT
$V_{CEO(SUS)}$	Collector-Emitter Sustaining Voltage	$I_C= 50\text{mA}; I_B= 0$	400			V
$V_{CE(sat)-1}$	Collector-Emitter Saturation Voltage	$I_C= 8\text{ A}; I_B= 100\text{mA}$			1.6	V
$V_{CE(sat)-2}$	Collector-Emitter Saturation Voltage	$I_C= 10\text{ A}; I_B= 250\text{mA}$			1.8	V
$V_{CE(sat)-3}$	Collector-Emitter Saturation Voltage	$I_C= 12\text{ A}; I_B= 300\text{mA}$			2.0	V
$V_{BE(sat)-1}$	Base-Emitter Saturation Voltage	$I_C= 8\text{ A}; I_B= 100\text{mA}$			2.2	V
$V_{BE(sat)-2}$	Base-Emitter Saturation Voltage	$I_C= 10\text{ A}; I_B= 250\text{mA}$			2.5	V
$V_{BE(sat)-3}$	Base-Emitter Saturation Voltage	$I_C= 12\text{ A}; I_B= 300\text{mA}$			2.7	V
I_{CES}	Collector Cutoff Current	$V_{CE}= 500\text{V}; V_{BE}= 0$ $V_{CE}= 500\text{V}; V_{BE}= 0; T_j=125^{\circ}\text{C}$			0.1 0.5	mA
I_{CEO}	Collector Cutoff Current	$V_{CE}= 450\text{V}; I_B= 0$ $V_{CE}= 450\text{V}; I_B= 0; T_j= 125^{\circ}\text{C}$			0.1 0.5	mA
I_{EBO}	Emitter Cutoff Current	$V_{EB}= 5\text{V}; I_C= 0$			20	mA
h_{FE}	DC Current Gain	$I_C= 5\text{ A}; V_{CE}= 10\text{V}$	300			
V_{ECF}	C-E Diode Forward Voltage	$I_F= 10\text{A}$			2.5	V

X-ON Electronics

Largest Supplier of Electrical and Electronic Components

Click to view similar products for [Bipolar Transistors - BJT category](#):

Click to view products by [SPTECH manufacturer](#):

Other Similar products are found below :

[619691C](#) [MCH4017-TL-H](#) [MJ15024/WS](#) [MJ15025/WS](#) [BC546/116](#) [BC556/FSC](#) [BC557/116](#) [BSW67A](#) [HN7G01FU-A\(T5L,F,T](#)
[NJVMJD148T4G](#) [NSVMMBT6520LT1G](#) [NTE187A](#) [NTE195A](#) [NTE2302](#) [NTE2330](#) [NTE2353](#) [NTE316](#) [IMX9T110](#) [NTE63](#) [NTE65](#)
[C4460](#) [SBC846BLT3G](#) [2SA1419T-TD-H](#) [2SA1721-O\(TE85L,F\)](#) [2SA1727TLP](#) [2SA2126-E](#) [2SB1202T-TL-E](#) [2SB1204S-TL-E](#) [2SC5488A-](#)
[TL-H](#) [2SD2150T100R](#) [SP000011176](#) [FMC5AT148](#) [2N2369ADCSM](#) [2SB1202S-TL-E](#) [2SC2412KT146S](#) [2SC4618TLN](#) [2SC5490A-TL-H](#)
[2SD1816S-TL-E](#) [2SD1816T-TL-E](#) [CMXT2207 TR](#) [CPH6501-TL-E](#) [MCH4021-TL-E](#) [BC557B](#) [TTC012\(Q\)](#) [BULD128DT4](#) [JANTX2N3810](#)
[Jantx2N5416](#) [US6T6TR](#) [KSF350](#) [068071B](#)