

(2.00 mm) .0787"

SQT SERIES

# COST-EFFECTIVE RUGGED SOCKETS

## SPECIFICATIONS

For complete specifications see [www.samtec.com?SQT](http://www.samtec.com?SQT)

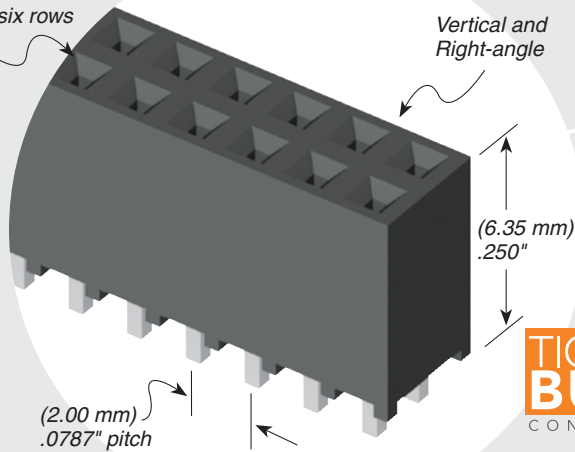
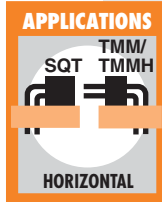
- Insulator Material:** Black Liquid Crystal Polymer
- Contact Material:** Phosphor Bronze
- Plating:** Sn or Au over 50 μ" (1.27 μm) Ni
- Current Rating (TMMH/SQT):** 5.1 A per pin (2 pins powered)
- Voltage Rating:** 281 VAC mated with TMM; 250 VAC mated with TMMH
- Operating Temp Range:** -55 °C to +125 °C
- Insertion Depth:** (2.62 mm) .103" to (5.03 mm) .198"
- Normal Force:** 60 grams (0.59 N) average
- Max Cycles:** 100 with 10 μ" (0.25 μm) Au
- RoHS Compliant:** Yes
- Lead-Free Solderable:** Yes

**Board Mates:** TMMH, TMM, MTMM, MMT, TW, LTMM, ZLTMM, ESQT, PTT, TSH

**Cable Mates:** TCMD

Choice of one through six rows

Vertical and Right-angle

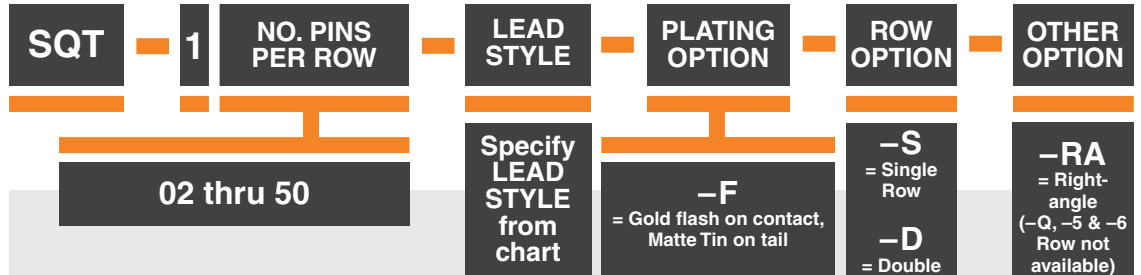


## RECOGNITIONS

For complete scope of recognitions see [www.samtec.com/quality](http://www.samtec.com/quality)



**Note:** Some lengths, styles and options are non-standard, non-returnable.



02 thru 50

Specify LEAD STYLE from chart

**-F**  
= Gold flash on contact, Matte Tin on tail

**-L**  
= 10 μ" (0.25 μm) Gold on contact, Matte Tin on tail

**-S**  
= Single Row

**-D**  
= Double Row

**-T**  
= Triple Row

**-Q**  
= Four Row

**-5**  
= Five Row

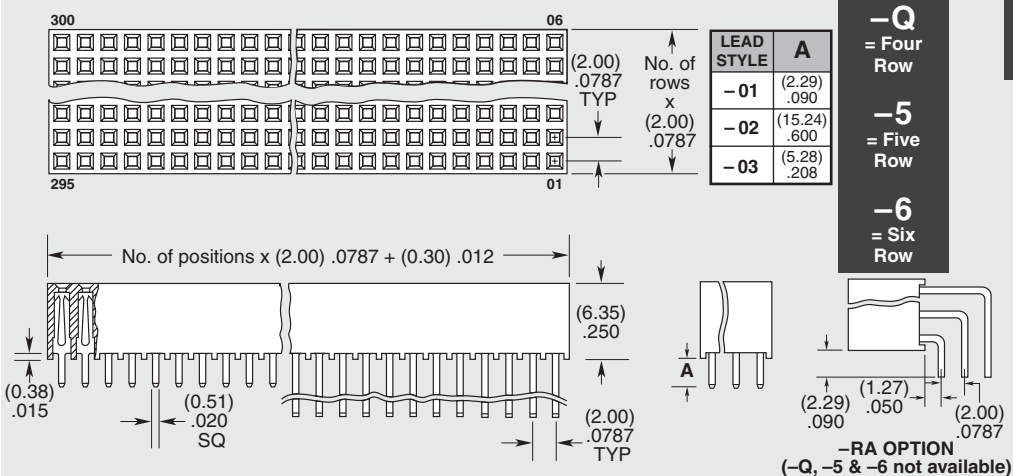
**-6**  
= Six Row

**-RA**  
= Right-angle (-Q, -5 & -6 Row not available) (Lead Style -01 only)

**-"XXX"**  
= Polarized Position (Indicate position number)

## Other Solutions

- Elevated**  
See ESQT Series.
- Surface Mount**  
See SQW and TLE Series.
- Low Profile**  
See CLT Series.
- High Reliability**  
See SMM Series.
- Press-Fit**  
See PTF Series.



Due to technical progress, all designs, specifications and components are subject to change without notice.

## X-ON Electronics

Largest Supplier of Electrical and Electronic Components

*Click to view similar products for [Headers & Wire Housings](#) category:*

*Click to view products by [Samtec](#) manufacturer:*

Other Similar products are found below :

[95000-104TRLF](#) [10135584-644402LF](#) [DF62W-EP2022PCA](#) [95000-106TRLF](#) [DF62W-2022SCA](#) [DF62W-EP2022PC](#) [2203348](#) [DF62W-2022SC](#) [1084018](#) [1029039](#) [1084017](#) [802-10-012-10-002000](#) [1112640](#) [1112639](#) [000-34000](#) [0009482033](#) [0009507031](#) [57102-S06-03LF](#) [57202-S52-04LF](#) [PCN6-15S-2.5E](#) [0039019024](#) [58102-G61-06LF](#) [582553-1](#) [0009485154](#) [0009508121](#) [0022285053](#) [0050291907](#) [018731A](#) [LY20-4P-DT1-P1E-BR](#) [02.125.8002.8](#) [60101931](#) [60598-1 \(Cut Strip\)](#) [M1625-3R/100](#) [61062-3](#) [61082-181009](#) [636-1427](#) [638009-1](#) [641938-9](#) [641991-4](#) [644168-1](#) [647662-1](#) [65039-019ELF](#) [65781-018](#) [65781-047](#) [65817-002LF](#) [65817-015LF](#) [65863-015LF](#) [66207-023LF](#) [67016-026LF](#) [67046-001LF](#)