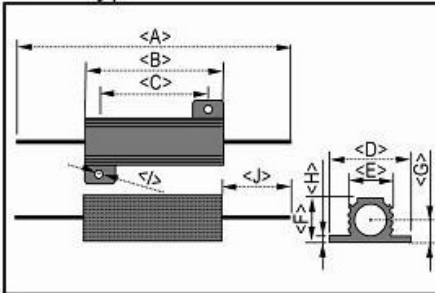
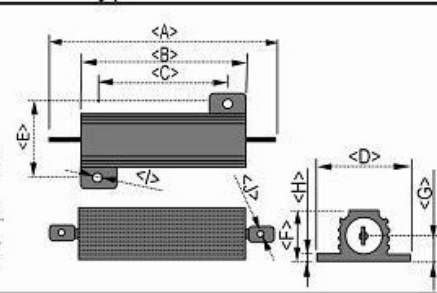


AHP ALUMINUM HOUSE WIRE WOUND RESISTOR

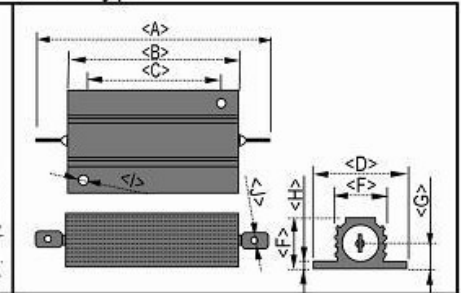
◆ A Type



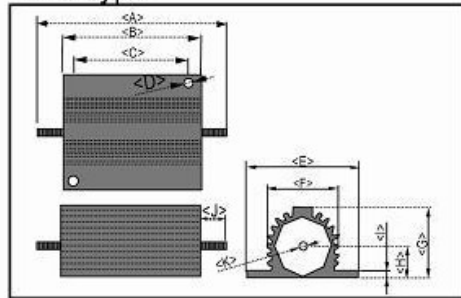
◆ B Type



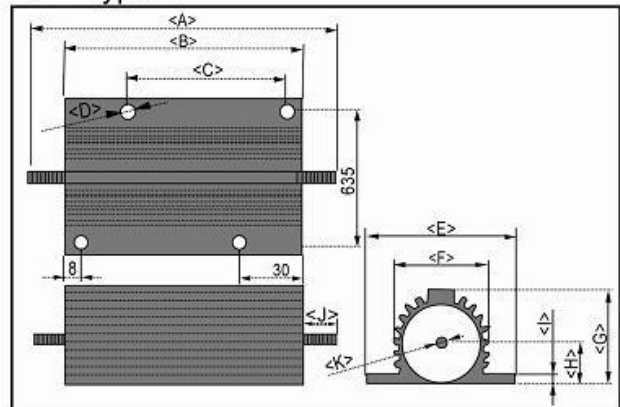
◆ C Type



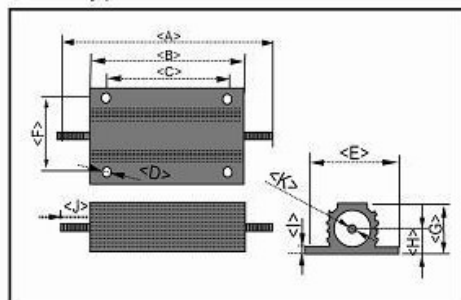
◆ D Type



◆ F Type



◆ E Type



SPECIFICATIONS

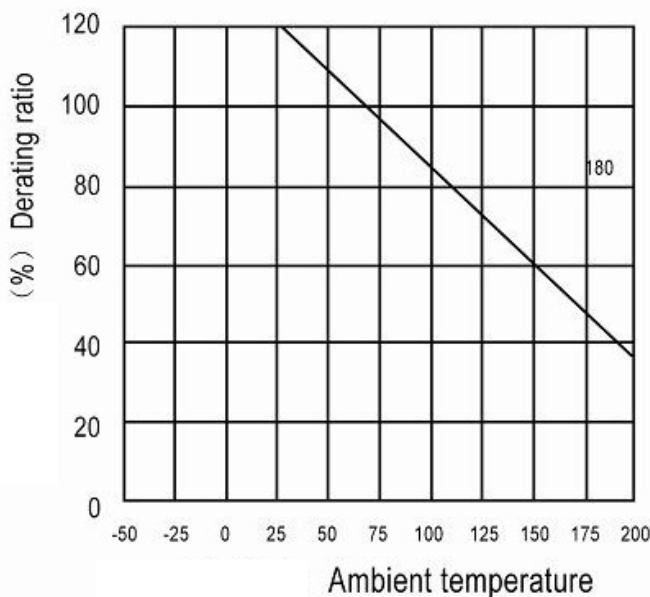
Power Rating	Dimensions (mm)											Type	Resistance Range (Ω)	Remark
	A±2.5	B±1	C±1	D±0.5	E±1	F±1	G±1	H±0.5	I±0.2	J±1.5	K±0.2			
AH-5W	82	15.3	11.3	16.5	9.4	8	4	1.4	2.2	33	-	A	0.01 ~ 5K	
AH-10W	31.6	18.7	14.3	20.4	16.7	10	5	2	2.2	2.2	-	B	0.01 ~ 10K	
AH-25W	48	27.8	18.6	27.4	20	14.8	7.7	2	3.4	2.2	-	B	0.01 ~ 25K	
AH-50W	70	51	38.5	29.4	22.9	15.8	7.7	2.4	4.2	2.2	-	B	0.01 ~ 50K	
AH-85W	94	75	38.5	29.4	14.4	15.8	7.7	2.4	3.2	2.2	-	C	0.01 ~ 85K	
AHS-100W	98	66	35	4.5	47	36	25	13	3.2	15	M4	E	0.01 ~ 100K	
AH-100W	122	90	69.2	5.2	71.5	45	44	20±1	4.4	16	M6	D	0.01 ~ 100K	
AH-250W	178	114	76	5.2	77	57.8	54.5	25±1	5	32	M6	F	0.01 ~ 100K	

AHP ALUMINUM HOUSED WIRE WOUND RESISTOR

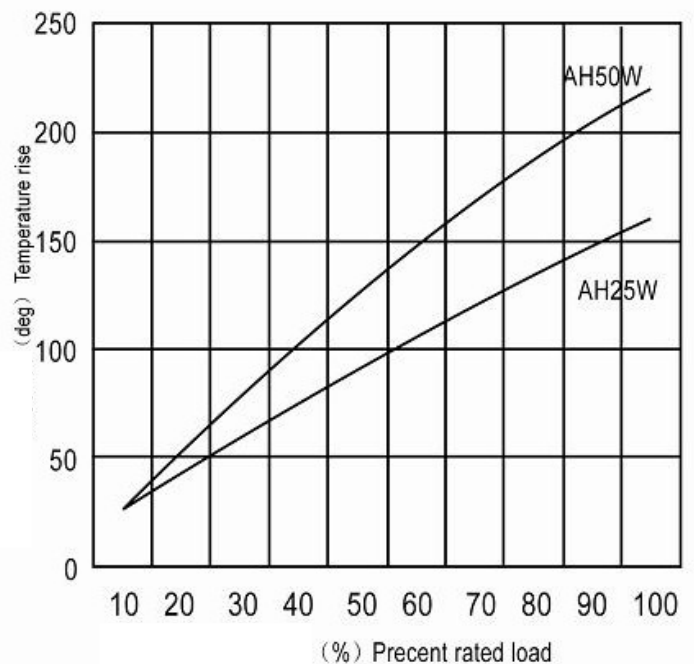
ELECTRICAL PERFORMANCE

特性 Characteristics	規格値 Limits
Resistance and resistance tolerance	Resistance tolerance
	±1% (F) ±5% (J)
	±2% (G) ±10% (K)
Temperatuer coefficient	$R < 0.05\Omega \pm 200\text{ppm}/^\circ\text{C}$ $0.05\Omega \leq R < 0.1\Omega \pm 100\text{ppm}/^\circ\text{C}$ $0.1\Omega \leq R < 400\Omega \pm 50\text{ppm}/^\circ\text{C}$ $400\Omega \leq R \pm 30\text{ppm}/^\circ\text{C}$
Power rating load	$\Delta R/R \leq \pm(1\% + 0.05\Omega)$
Short-time overload	$\Delta R/R \leq \pm(0.5\% \pm 0.05\Omega)$
Insulation resistance	DC500V 100M Ω mim.
Dielectric withstanding voltage	$\Delta R/R \leq \pm(0.2\% + 0.05\Omega)$ AC2000V 1 mintue

Power Derating Curve



Temperature Rise Curve



X-ON Electronics

Largest Supplier of Electrical and Electronic Components

Click to view similar products for SR Passives manufacturer:

Other Similar products are found below :

[FOPCCC1](#) [FVR50W-500R](#) [AL300W-3R9](#) [AL800W-3R9](#) [KJF-5.00/525](#) [KTF-3.5/440](#) [AL1000W-2R2](#) [T75W-50K](#) [R16148-1B-1-A100K](#)
[R16148-1B-1-A1K](#) [KTF-3.0/440](#) [CP-120UH-ID30](#) [CP-345UH-ID30](#) [R80W-2R2](#) [FOPCTT1](#) [5G-LPA01G-SMA-3](#) [AHP25W-22RJ](#) [AHP50W-6R8J](#) [AL300W-60R](#) [CRL15W-3R3](#) [AC-9-1.0-2.1](#) [FVR50W-1K](#) [CP-160UH-ID60](#) [CP-345UH-ID27](#) [R16148-1B-1-B2K2](#) [R16148-1B-3-B10K](#) [CRL5W-130R](#) [MPP-100NR10/630](#) [CP-570UH-42-42](#) [AHP10W-10RF](#) [AHP5W-1KJ](#) [AHP50W-680RJ](#) [AL500W-30R](#) [CRL20W-0R47](#)
[OBJ63](#) [KJF-3.33/480](#) [KTF-3.0/400](#) [AL1000W-10R](#) [AL300W-100R](#) [CP-1.6MH-32-52-3](#) [CP-700UH-ID8.5](#) [AHP250W-10KF](#) [AHP250W-115RF](#) [AHP250W-22RF](#) [AHP250W-250RF](#) [AHP250W-2K2F](#) [AHP250W-2R7F](#) [5G-ANT-SV02B-SMA](#) [R100W-1R](#) [AL500W-3R9](#)