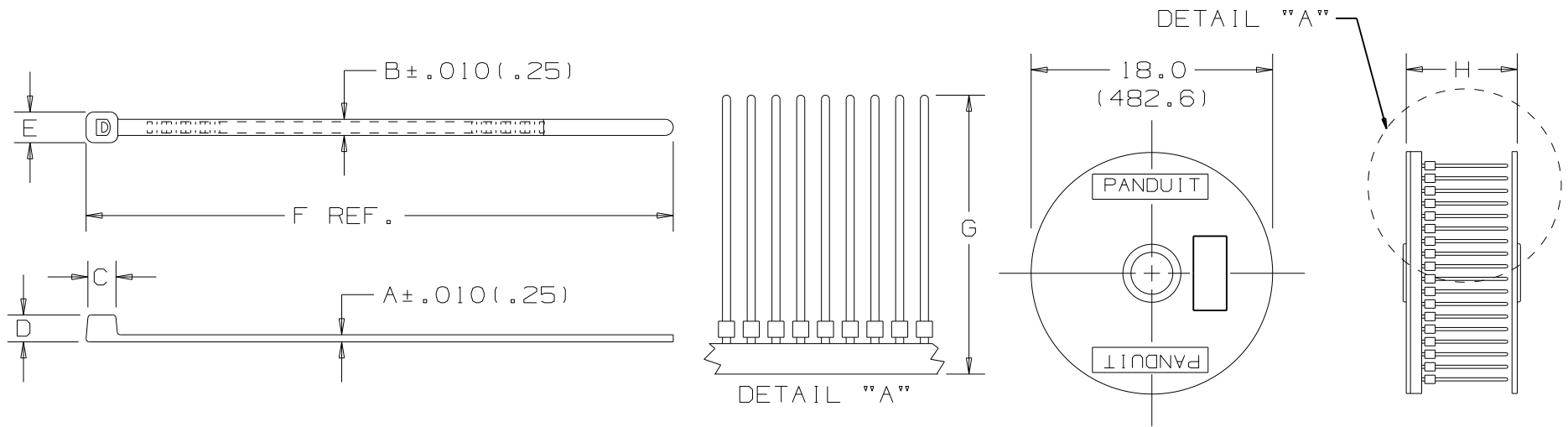


THIS COPY IS PROVIDED ON A RESTRICTED BASIS AND IS NOT TO BE USED IN ANY WAY DETRIMENTAL TO THE INTERESTS OF PANDUIT CORP.



PANDUIT * PART NO.	BUNDLE DIA.		A IN. (mm)	B IN. (mm)	C IN. (mm)	D IN. (mm)	E IN. (mm)	F IN. (mm)	G IN. (mm)	H IN. (mm)	MINIMUM LOOP TENSILE lbs. (N)	CROSS SECTION	WEIGHT (W/O RIBBON) lbs. (g)/100 pcs
	MIN IN. (mm)	MAX IN. (mm)											
PLT1M-XMR	.02 (.5)	.82 (20.8)	.036 (.9)	.100 (2.5)	.175 (4.4)	.154 (3.9)	.185 (4.7)	4.0 (102)	4.5 (114)	5.3 (135)	18 (80)	MINIATURE	.06 (29)
PLT1.5M-XMR	.02 (.5)	1.31 (33.3)	.036 (.9)	.100 (2.5)	.175 (4.4)	.154 (3.9)	.185 (4.7)	5.6 (142)	6.0 (152)	6.8 (173)	18 (80)	MINIATURE	.08 (38)

NOTES:

- \*1) SEE CURRENT PRICE SHEET FOR PART MATERIAL & COLOR SUFFIX DESIGNATIONS.
- 2) STANDARD PACKAGING: 5000 STRAPS PER REEL, 2 REELS PER CARTON.
- 3) PACKAGED FOR USE WITH FULLY AUTOMATIC CABLE TIE INSTALLATION SYSTEMS.
- 4) RECOGNIZED UNDER THE COMPONENT PROGRAM OF UNDERWRITERS LABORATORIES INC.

DIMENSIONS IN PARENTHESES ARE IN METRIC UNITS

PANDUIT CORP. TINLEY PARK, ILLINOIS

XMR PAN-TY CABLE TIES  
PACKAGED FOR AUTOMATIC TOOLS

UNLESS OTHERWISE SPECIFIED,  
DIMENSIONAL TOLERANCES ARE:  
(.X) ±.10(2.5) (.XXX) ±.020(.51)  
(.XX) ±.02(.5) ANGLES ± .....

UNLESS OTHERWISE SPECIFIED,  
ALL DIMENSIONS ARE GIVEN  
IN INCHES, THIRD ANGLE PROJECTION.

DRAWN BY  
KJL

MAT'L:

SCALE  
NONE

DATE  
6/16/88

NYLON 6.6

DRAWING NO.  
SS-18422

DWG  
A  
SIZE

11	7/27/07	JABO		CHANGED PLT1M 'H' DIM TO 1 DECIMAL PLACE	18422	11							
REV	DATE	BY	CHK	DESCRIPTION	ECN	R	CUST	SUP					

## X-ON Electronics

Largest Supplier of Electrical and Electronic Components

*Click to view similar products for [Cable Ties](#) category:*

*Click to view products by [Panduit](#) manufacturer:*

Other Similar products are found below :

[20093-0](#) [SJ-3463](#) [SJ3518FR-1x50](#) [SJ3526N-Beige-2"x50yd](#) [SJ3526N BLACK 58" X 50YD](#) [SJ3571](#) [SJ-3571-1"x50yd-Black](#) [20113-0](#)  
[T56137](#) [3-350087-0](#) [CTB75X75BKA-C](#) [3722](#) [561-B110120](#) [561-EZAB580T](#) [561-EZS375B40](#) [561-N3510](#) [561-TA250125](#) [08350-0](#) [08443-0](#)  
[08600-0](#) [10035-0](#) [10036-0](#) [10037-0](#) [10325-0](#) [10362-0](#) [10606-0](#) [561-EZ250](#) [561-EZ500](#) [561-EZ625](#) [561-EZ750](#) [561-TA00600](#) [SJ3519FR](#)  
[BLACK 1X50](#) [SJ3527N-Beige-2"x50yd](#) [SJ3527N-LOOP-BLACK-1](#) [SJ3572-2"x50yd-Black](#) [157-00039](#) [3719](#) [SJ-3401 BLACK 1"](#) [08445-0](#)  
[08582-0](#) [08386-0](#) [10431-0](#) [08359-0](#) [10056-0](#) [10620-0](#) [10345-0](#) [10344-0](#) [08416-0](#) [08384-0](#) [08401-0](#)