



规格书
SPECIFICATIONS

规格书编号/ID: M81020A
物料描述/
Product Description: 8M 10PF 20PPM
料号/
Part Number: S47SMD8.000M10PF20R30B3
制作人/
Approved by: 莫平会
审核人/
Checked by: 陈晓群
日期/ 盖章/
Date: 2022-12-30 Stamp: _____

客户签署/
Customer signature required

公司名称/
Company: _____

客户料号/
Customer Part Number: _____

承认人/
Approved by: _____

批准人/
Confirmed by: _____

日期/
Date: _____

盖章/
Stamp: _____



四川索斯特电子有限公司
Sichuan Source-Set Electronics Co., Ltd
石英晶体规格书



CRYSTAL UNIT SPECIFICATIONS

一、电性能参数 ELECTRICAL PARAMETERS:

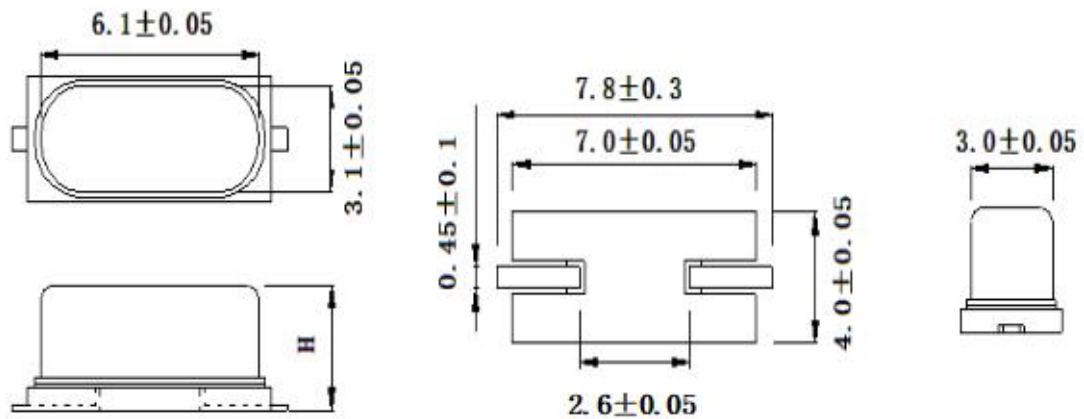
| No. | 特性 Characteristic | 范围 Limits | 备注 Remark |
|-----|---------------------------------------|--------------|-------------------------------|
| 1 | 产品型号 Ackage Type | SST-M49SSMD | |
| 2 | 标称频率 Nominal Frequency | 8.000MHz | |
| 3 | 振动模式 Mode of Vibration | AT—Fund (基频) | |
| 4 | 常温频差 Frequency Tolerance | ±20ppm | 25±3℃ 测试 Measure at 25℃±3℃ |
| 5 | 工作温度范围 Operating Temperature Range | -20℃~+70℃ | |
| 6 | 频率稳定度 Frequency Stability | ±30ppm | |
| 7 | 储存温度范围 Storage Temperature Range | -40℃~+85℃ | |
| 8 | 负载电容 Load capacitance | 10pF | |
| 9 | 谐振电阻 Equivalent Series Resistance | 100 Ω max | |
| 10 | 激励功率 Drive Level | 100 μ W max | |
| 11 | 绝缘电阻 Insulation Resistance | 500M Ω | At 250V _{DC} |
| 12 | 静电容 Shunt Capacitance | 5pF max | |
| 13 | 年老化率 Aging Per Year | ±5ppm | |
| 14 | | | |
| 15 | | | |
| 16 | | | |
| 17 | | | |
| 18 | | | |

CRYSTAL UNIT SPECIFICATIONS

二、可靠性试验 Reliability test

| No. | 测试项目 Item | 测试条件 Test Conditions | 判定标准 Basis of Verdict |
|-----|----------------------------------|---|---|
| 1 | 跌落冲击 Drop | 75cm 高度自由下落到 3cm 厚度的硬质木板 3 次 3 Times Free Fall from 75cm height table to 3cm thickness hard wood board | $\Delta FL \leq \pm 5\text{ppm}$, $\Delta R \leq 5\text{ohm or } \leq 10\%$ |
| 2 | 模拟回流焊 Reflow | $240^{\circ}\text{C} \leq T \leq 265^{\circ}\text{C}$ $t=60 \pm 30\text{s}$ $T=260^{\circ}\text{C} \pm 5^{\circ}\text{C}$ $t=40 \pm 10\text{s}$ $T(\text{max}) = 265^{\circ}\text{C}$ | $\Delta FL \leq \pm 5\text{ppm}$, $\Delta R \leq 5\text{ohm or } \leq 10\%$ |
| 3 | 可焊性 Solder | $260^{\circ}\text{C} \pm 5^{\circ}\text{C}$ 焊锡槽浸润 3 ± 0.5 秒 Temperature: $260^{\circ}\text{C} \pm 5^{\circ}\text{C}$ Time: 3 ± 0.5 Seconds | 新锡覆盖率 $\geq 90\%$ the solder immersion surface $\geq 90\%$ |
| 4 | 耐焊接热 Solder Heating | $280^{\circ}\text{C} \pm 5^{\circ}\text{C}$ 焊锡槽浸润 10 ± 1 秒 Temperature: $280^{\circ}\text{C} \pm 5^{\circ}\text{C}$ Time: 10 ± 1 Seconds | $\Delta FL \leq \pm 5\text{ppm}$, $\Delta R \leq 5\text{ohm or } \leq 10\%$ |
| 5 | 高温储存 High temperature storage | $100^{\circ}\text{C} \pm 2^{\circ}\text{C}$ 烘箱中烘烤 96 ± 1 小时 Temperature: $100^{\circ}\text{C} \pm 5^{\circ}\text{C}$ Time: 96 ± 1 Hours | $\Delta FL \leq \pm 5\text{ppm}$, $\Delta R \leq 5\text{ohm or } \leq 10\%$ |
| 6 | 高温老化 High temperature ageing | $85^{\circ}\text{C} \pm 5^{\circ}\text{C}$ 之烘箱中烘烤 30 天 Temperature: $85^{\circ}\text{C} \pm 5^{\circ}\text{C}$, Time: 30days | $\Delta FL \leq \pm 5\text{ppm}$, $\Delta R \leq 5\text{ohm or } \leq 10\%$ |
| 7 | 低温储存 Low temperature storage | $-40^{\circ}\text{C} \pm 2^{\circ}\text{C}$ 环境中保持 96 ± 1 小时 Temperature: $-40^{\circ}\text{C} \pm 2^{\circ}\text{C}$ Time: 96 ± 1 Hours | $\Delta FL \leq \pm 5\text{ppm}$, $\Delta R \leq 5\text{ohm or } \leq 10\%$ |
| 8 | 恒温恒湿 Humidity | 在湿度为 90~95%, 温度为 $40 \pm 2^{\circ}\text{C}$ 环境中保持 96 小时 Temp: $40^{\circ}\text{C} \pm 2^{\circ}\text{C}$, Humidity: 90~95% Times: 96 Hours | $\Delta FL \leq \pm 5\text{ppm}$, $\Delta R \leq 5\text{ohm or } \leq 10\%$ |
| 9 | 振动 Vibration | 频率: $10 \sim 50\text{Hz}$, 幅度: 0.75mm 频率: $50\text{Hz} \sim 500\text{Hz}$, 加速度幅度: 98m/s^2 周期: $10-500-10\text{Hz}$, 15min 振动方向: X、Y、Z 振动时间: 每个方向 2 小时 Frequency: $10 \sim 50\text{Hz}$, Amplitude: 0.75mm Frequency: $50 \sim 500\text{Hz}$, Amplitude: 98m/s^2 Cycle time: $10-500-10\text{H}$, 15min Direction: X、Y、Z Duration: 2 Hours /direction | $\Delta FL \leq \pm 5\text{ppm}$, $\Delta R \leq 5\text{ohm or } \leq 10\%$ |

三、外形尺寸 Outline Dimensions (unit: mm)



| NO. | 规格 | H |
|-----|-----------|--------|
| 1. | M49S -SMD | 2.3Max |

四、印字 Marking

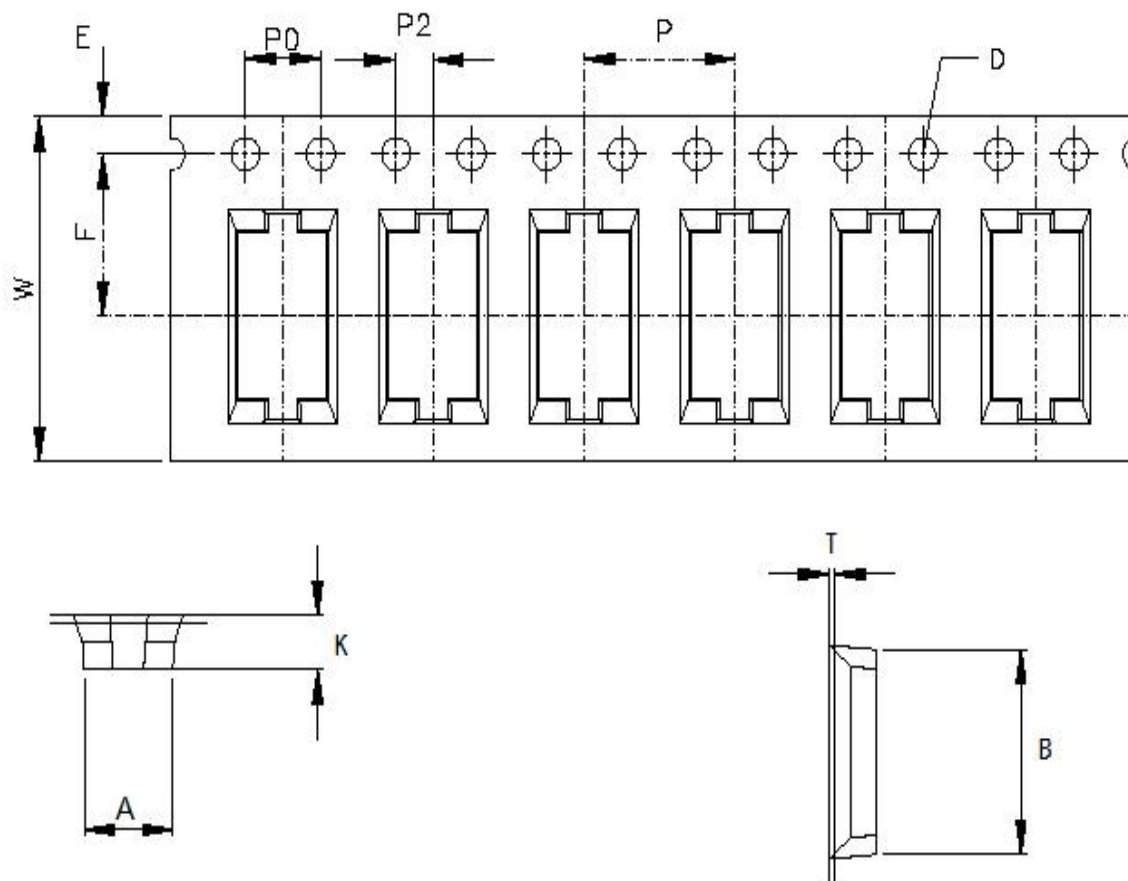
当前字样:



CRYSTAL UNIT SPECIFICATIONS

五、包装方式 Packing

T/R: 3000pcs/ REEL

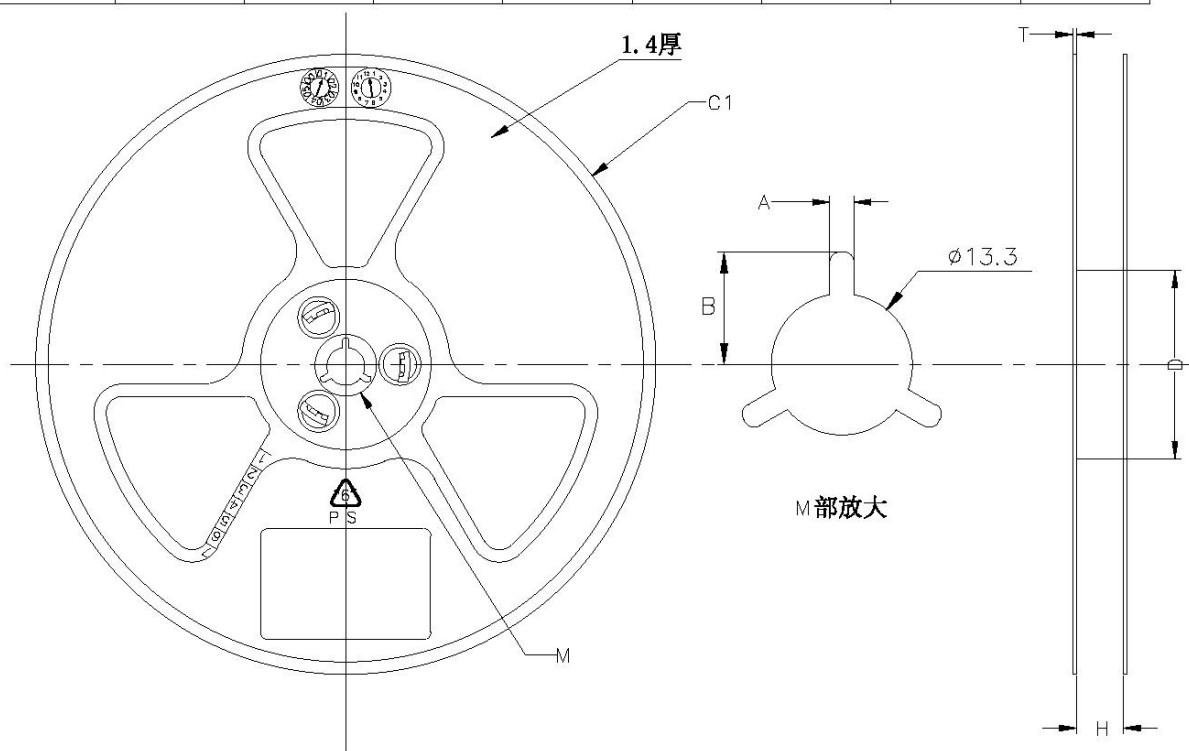


单位 units : mm:

| Model | A | B | D | E | F | P | P0 | T | W |
|-----------|---------|---------|------|----------|---------|---------|---------|----------|--------|
| SST-47SMD | 4.7±0.1 | 9.5±0.1 | Φ1.5 | 1.75±0.1 | 7.5±0.1 | 8.0±0.1 | 4.0±0.1 | 0.3±0.05 | 16±0.3 |
| | | | | | | | | | |

CRYSTAL UNIT SPECIFICATIONS

| | | | | | | | | |
|--------|------|------|------|------|------|------|------|------|
| SPEC 1 | 12 | 16 | 24 | 32 | 44 | 56 | 72 | 88 |
| C1±1 | 330 | 330 | 330 | 330 | 330 | 330 | 330 | 330 |
| A±0.2 | 2.3 | 2.3 | 2.3 | 2.3 | 2.3 | 2.3 | 2.3 | 2.3 |
| B±0.2 | 10.0 | 10.0 | 10.0 | 10.0 | 10.0 | 10.0 | 10.0 | 10.0 |
| H+2.0 | 12.5 | 16.5 | 24.5 | 32.5 | 44.5 | 56.5 | 72.5 | 88.5 |
| T±0.2 | 2.1 | 2.1 | 2.1 | 2.1 | 2.1 | 2.1 | 2.1 | 2.1 |
| D±0.5 | ∅100 | ∅100 | ∅100 | ∅100 | ∅100 | ∅100 | ∅100 | ∅100 |



X-ON Electronics

Largest Supplier of Electrical and Electronic Components

Click to view similar products for [Crystals](#) category:

Click to view products by [SST](#) manufacturer:

Other Similar products are found below :

[CX3225GB25000M0PPSZ1](#) [718-13.2-1](#) [7A-40.000MAAE-T](#) [FL2000085](#) [99-BU](#) [9B-15.360MBBK-B](#) [9C-7.680MBBK-T](#) [H10S-12.000-18-EXT-TR](#) [ABC2-6.000MHZ-D4Z-T](#) [ABLS-20.000MHZ-D2-T](#) [ABS071-32.768KHZ-6-T](#) [R38-32.768-12.5-5PPM-NPB](#) [BTD1062E05A-513](#) [21U15A-21.4MHZ](#) [RTX-781DF1-S-20.950](#) [LFXTAL066198Cutt](#) [9C-14.31818MBBK-T](#) [A-11.000MHZ-27](#) [ABL-27.000MHZ-B4Y-T](#) [ABM11-132-24.000MHZ-T3](#) [ABM3B1-25.000MHZ-D2Y-T](#) [SPT2A-.032768B](#) [SPT2A.032768G](#) [LFXTAL065253Cutt](#) [LFXTAL066431Cutt](#) [XT9S20ANA14M7456](#) [XT9SNLANA16M](#) [7A-24.576MBBK-T](#) [7B-30.000MBBK-T](#) [CX2520DB16000H0HPQCC](#) [MMCC2R32.7680KHZ](#) [6504-202-1501](#) [6526-202-1501](#) [ABLS-12.000MHZ-B2Y-T](#) [7A-10.000MBBK-T](#) [SG636PCE-20.000MC](#) [3404](#) [CM315D32768EZFT](#) [C1E-24.000-7-2020-R](#) [C1E-19.200-12-1530-X-R](#) [C1E-16.000-12-1530-X-R](#) [ABM11-16.000MHZ-9-B1U-T](#) [FL5000014](#) [EUCA18-3.1872M](#) [FX0800015](#) [425F35E027M0000](#) [FP0800018](#) [MS3V-T1R-32.768kHz-7pF-20PPM-TA-QC-Au](#) [VXM7-1C1-16M000](#) [MS3V-T1R-32.768kHz-9pF-20PPM-TA-QC-Au](#)