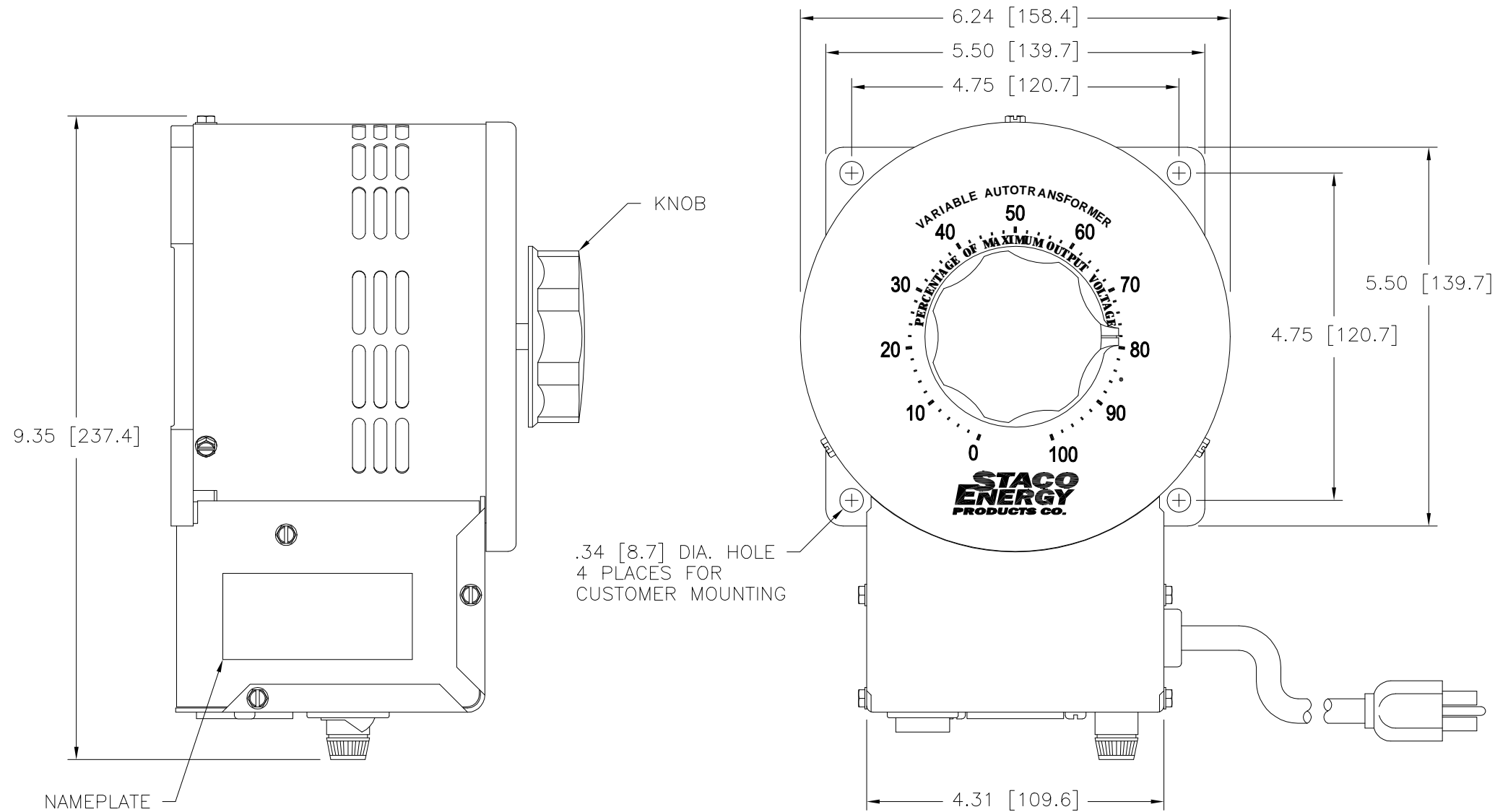
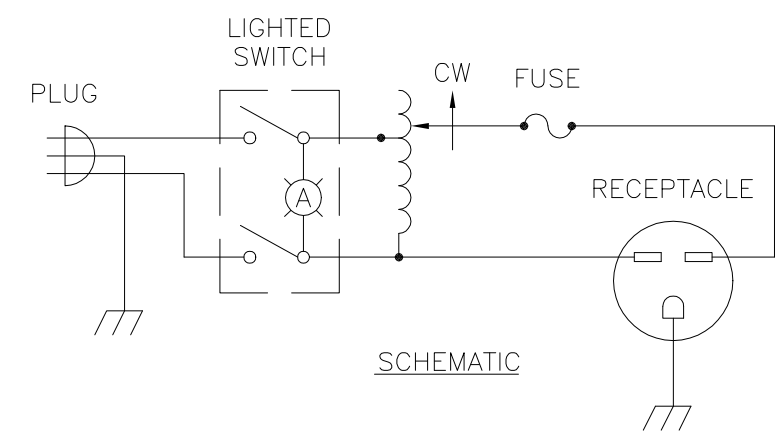


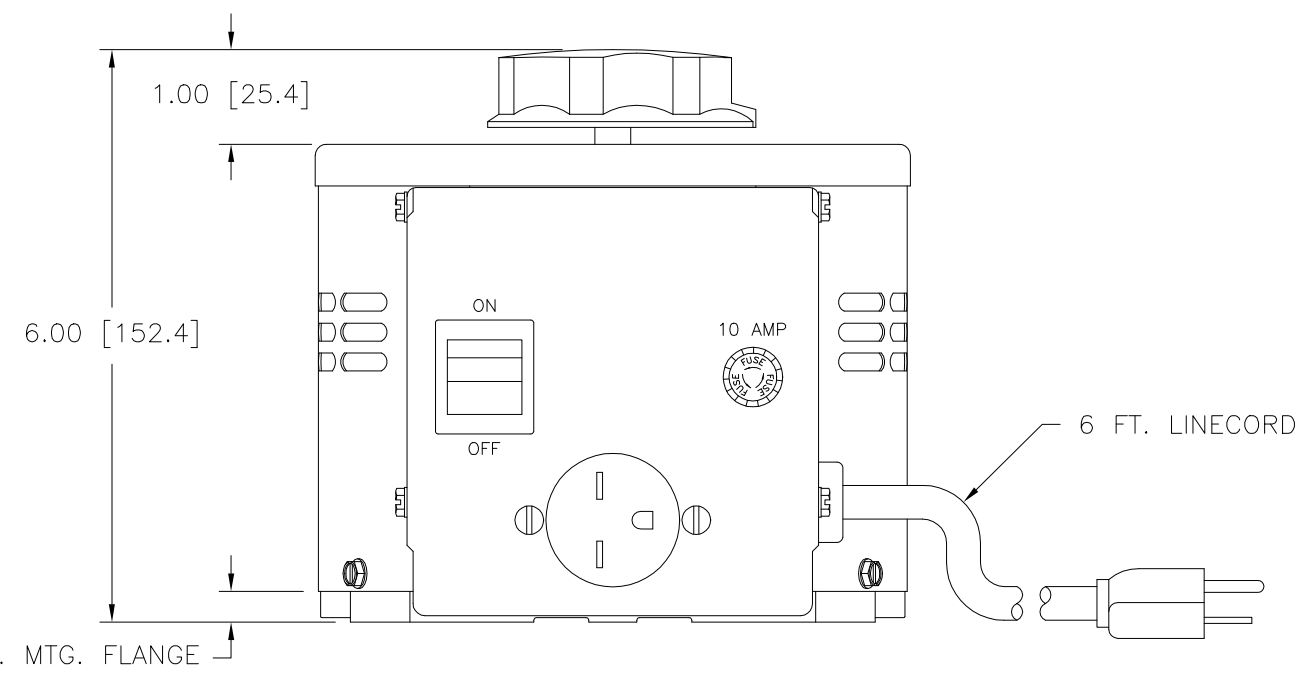
DWG. NO.	031-3945		
REVISIONS			
SYM.	E.C.N.	DATE	APVD.
A	24185	2/28/00	
ROTATED RECEPTACLE			
B	24536	3/13/01	
REVISED SILKSCREEN			



.34 [8.7] DIA. HOLE  
4 PLACES FOR  
CUSTOMER MOUNTING



SCHEMATIC



.32 [8.1] THK. MTG. FLANGE

SPECIFICATIONS					
WIRING	INPUT		OUTPUT		
	VOLTS	HERTZ	VOLTS	CONSTANT CURRENT LOAD	
SINGLE PHASE	240	50/60	0-280	MAX. AMPS	MAX. KVA
				9.5	2.66

UNLESS OTHERWISE SPECIFIED, TOLERANCE IS ±

DECIMALS	HOLES	ANGLES	DRAFT	UNITS
.XX	.0000	.01	1°	IN [mm]
.XXX	.005		1-1/2°	

MATERIAL: ALL DIMENSIONS APPLY AFTER PLATING

THE INFORMATION AND DESIGN DISCLOSED HEREIN WAS ORIGINATED BY AND IS THE PROPERTY OF STACO ENERGY PRODUCTS CO., WHICH RESERVES ALL PATENT, PROPRIETARY, DESIGN, MANUFACTURING, REPRODUCTION, USE AND SALE RIGHTS THEREIN, AND TO ANY ARTICLE DISCLOSED THEREIN EXCEPT TO THE EXTENT RIGHTS ARE EXPRESSLY GRANTED TO OTHERS. THE FOREGOING DOES NOT APPLY TO VENDOR PROPRIETARY PARTS.

TITLE: SPEC. CONTROL DRAWING  
 VARIABLE TRANSFORMER  
 MODEL: 3PN1520B

DRAWN BY	DATE	FIRST USED ON	DO NOT SCALE DWG.
S.A. SMITH	5/17/96	3PN1520B	
CHECKER	DATE	WEIGHT APPROX.	CAGE CODE
		22 LBS	83008
ENGINEER	DATE	SCALE	DWG. SIZE
		1=1	D

SHEET 1 OF 1  
 DWG. NO. 031-3945

**STACO ENERGY PRODUCTS CO.**  
 A Components Corporation of America Company  
 302 Gaudin Boulevard Dayton, Ohio 45424 USA

## X-ON Electronics

Largest Supplier of Electrical and Electronic Components

*Click to view similar products for [Industrial Control Transformers](#) category:*

*Click to view products by [Staco](#) manufacturer:*

Other Similar products are found below :

[HS1B150](#) [2929013T00](#) [2124131T00](#) [HS10B150](#) [HS14F2BS](#) [HS19B250](#) [WS10](#) [PA2358NL](#) [TCT40-06E07AB](#) [201](#) [F-109U](#) [TCT40-07E07AB](#) [291](#) [HS14F1BS](#) [HS14F5BS](#) [HS1F2AS](#) [2520](#) [3PN1210B](#) [808-0128-S](#) [808-0129-S](#) [808-0130-S](#) [F-108U](#) [F-213Z](#) [F-214U](#) [F-215U](#) [TCT3-03E07AE](#) [TCT3-11E07AE](#) [TCT3-12E07AE](#) [TCT40-01E07AB](#) [TCT40-01E07AE](#) [TCT40-02E07AB](#) [TCT40-02E07K](#) [TCT40-03E07K](#) [TCT40-05E07AB](#) [TCT40-05E07K](#) [TCT40-06E07K](#) [TCT40-07E07K](#) [TCT40-08E07AB](#) [TCT40-08E07AE](#) [TCT40-09E07AB](#) [TCT40-09E07K](#) [TCT40-10E07AB](#) [TCT50-01E07AB](#) [TCT50-01E07AE](#) [TCT50-01E07K](#) [TCT50-02E07AB](#) [TCT50-02E07K](#) [TCT50-03E07AB](#) [TCT50-03E07AE](#) [TCT50-03E07K](#)