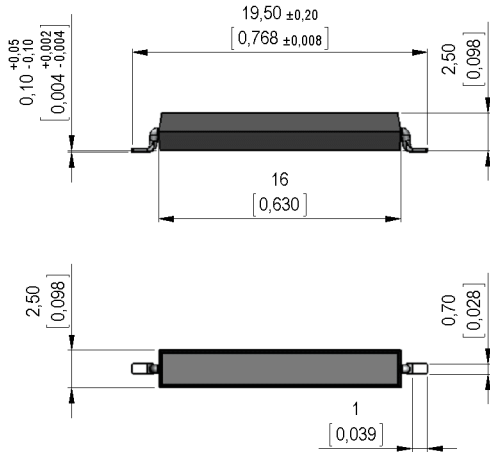


**Dimensions mm[inch]**  
tolerances according to DIN ISO 2768-m  
Toleranzen gem. DIN ISO 2768-m



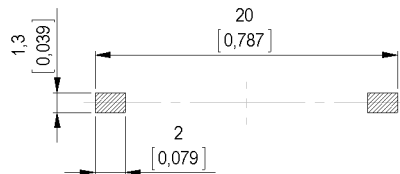
**Isometric**  
Scale 2:1  
Maßstab 2:1



**Marking**  
according to EN60062/factory code  
gem. EN60062/Fertigungsstätte

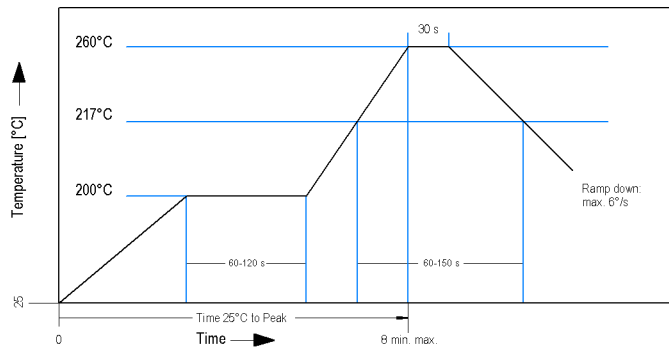


**Recommended PCB Pad Layout**

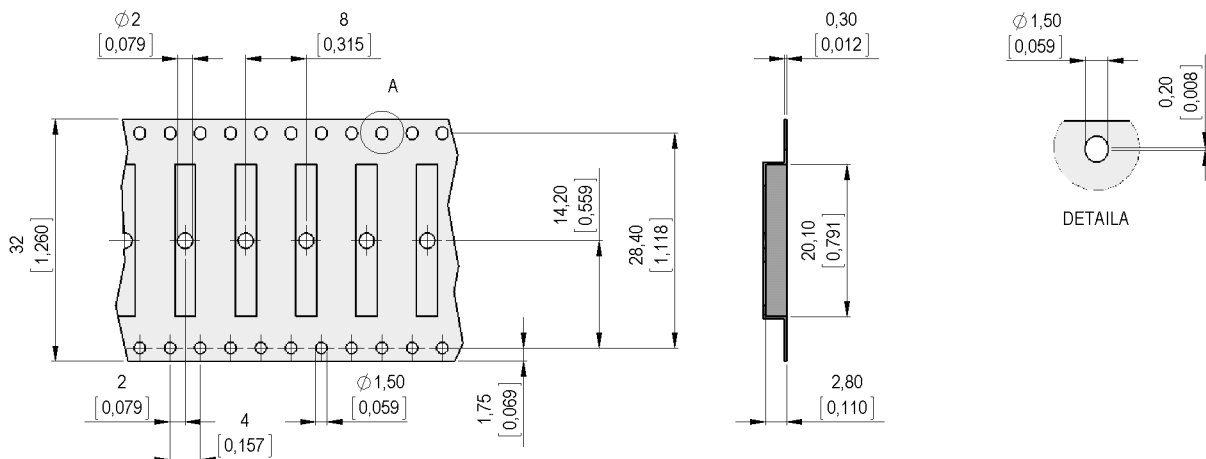


**Solder Reflow Profile**

reflow soldering conditions according to JEDEC norm J-STD-020D.1



**Packaging**



Modifications in the sense of technical progress are reserved

Designed at: 29.10.08 Designed by: THAUKE  
 Last Change at: 29.12.14 Last Change by: AAI

Approval at: 04.11.08 Approval by: JHEYDER  
 Approval at: 28.01.15 Approval by: AWEBER



Europe: +49 / 7731 8399 0 | Email: info@standexmeder.com  
 USA: +1 / 508 295 0771 | Email: salesusa@standexmeder.com  
 Asia: +852 / 2955 1682 | Email: salesasia@standexmeder.com

Item No.:  
**9151710025**  
 Item:  
**MK15-E-2**

Magnetic properties	Conditions	Min	Typ	Max	Unit
Pull-In	at 20°C	45,2		80,6	AT
Test equipment			KMS-11		
Pull-In in milliTesla (modified conta	MS150 - phys. caused tolerance +/- 0,1mT	2,5		3,5	mT
Test equipment			MS-150		

Contact data 66/1	Conditions	Min	Typ	Max	Unit
Contact-material			Rhodium		
Contact rating	Any DC combination of V & A not to exceed their individual max.'s			10	W
Switching voltage	DC or Peak AC			180	VDC
Switching current	DC or Peak AC			0,5	A
Carry current	DC or Peak AC			1,25	A
Contact resistance static	Measured with 40% overdrive Start Value			150	mOhm
Breakdown voltage (>20 AT)	according to IEC 255-5	200			VDC

Special Product Data	Conditions	Min	Typ	Max	Unit
Housing material			epoxy resin		
Approval			UL- File-Nr. E156887		

Environmental data	Conditions	Min	Typ	Max	Unit
Shock	1/2 sine wave duration 11ms			30	g
Vibration	from 10 - 2000 Hz			20	g
Operating temperature		-40		130	°C
Storage temperature		-50		130	°C
Soldering Temperature Tsold	Reflow acc.IPC/JEDEC J-STD-020D.1			260	°C
Washability			fully sealed		

General data	Conditions	Min	Typ	Max	Unit
Component marking	general descripton		MEDER E YM/P		

Modifications in the sense of technical progress are reserved

Designed at: 29.10.08 Designed by: THAUKE  
 Last Change at: 29.12.14 Last Change by: AAI

Approval at: 04.11.08 Approval by: JHEYDER  
 Approval at: 28.01.15 Approval by: AWEBER

Version: 11

## X-ON Electronics

Largest Supplier of Electrical and Electronic Components

*Click to view similar products for [standexmeder](#) manufacturer:*

Other Similar products are found below :

[HE12-1A69-02](#) [MK18-B-500W](#) [DIP05-1A72-12L](#) [CRF05-1AS](#) [HE06-1B83-150](#) [HE24-1A83](#) [SHV12-1A85-78L3K](#) [SIL05-1A72-71QHR](#)  
[NDFEB 8X15MM](#) [BE12-2A85-BV420](#) [KT12-1A-BV88589](#) [MK04-1A66B-500W](#) [DIP05-1A72-13L](#) [HM24-1A69-20-6](#) [HM12-1A83-06-UL](#)  
[MS05-1A87-75DHR](#) [H12-1B83](#) [KT12-1A-40L-THT](#) [SIL05-1A31-71L](#) [LI05-1A85](#) [NDFEB 10X5X1.9MM](#) [LS01-1A66-PP-500W](#) [M11/M8](#)  
[LS02-1A66-PP-500W](#) [NDFEB N35 4X2MM](#) [HM24-1A69-300](#) [LS02-1A66-PA-500W](#) [KT05-1A-40L-THT](#) [MK21M-1A66C-500W](#) [DIP24-](#)  
[1C90-51D](#) [SIL24-1A75-71L](#) [DIP12-1A72-12L](#) [ORD211-1015](#) [DIP12-2A72-21L](#) [H24-1A83](#) [MK17-C-3](#) [SHV12-1A85-78L4K](#) [DIP05-1C90-](#)  
[51D](#) [HE24-1A83-02](#) [MK02/0-1A66-1000W](#) [DIL05-2C90-63L](#) [DIP24-1A72-12L](#) [HM24-1A69-06](#) [HE06-1A16](#) [DIP24-1A31-16D](#) [MK03-](#)  
[1A66E-500W](#) [ALNICO500; 10X40MM](#) [LS01-1A66-PA-500W](#) [ORD228VL-2030](#) [DIP05-1C90-51L](#)