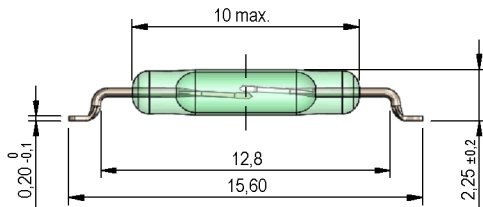
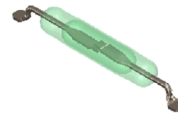


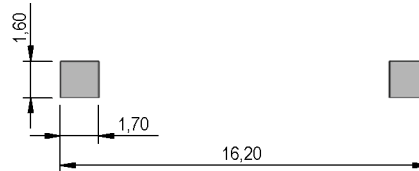
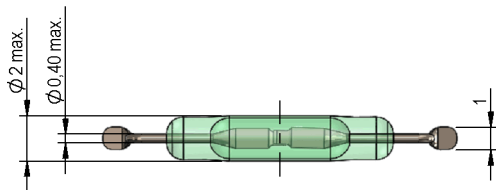
Dimensions mm[inch]
tolerances according to DIN ISO 2768-m
Toleranzen gem. DIN ISO 2768-m



Isometric
Scale 2:1
Maßstab 2:1

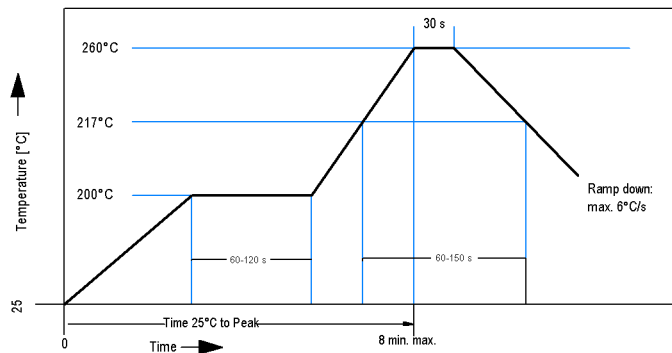


Recommended PCB Pad Layout

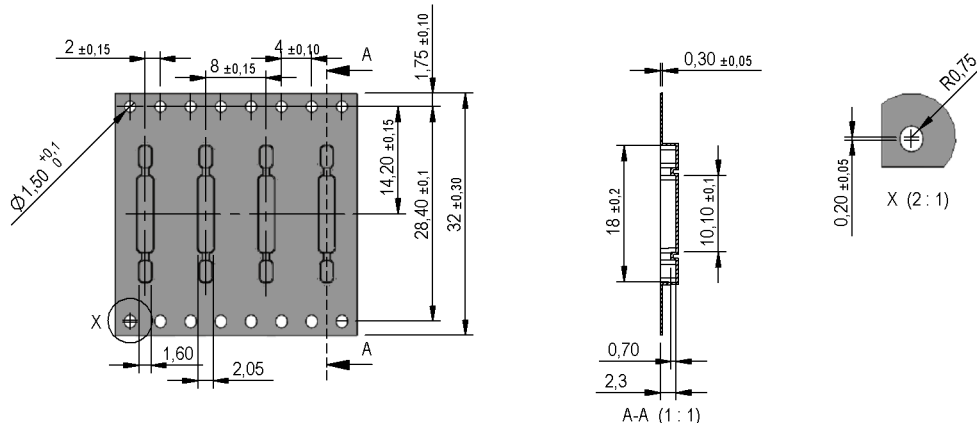


Solder Reflow Profile

reflow soldering conditions according to JEDEC norm J-STD 020D.1



Packaging





Europe: +49 / 7731 8399 0

| Email: info@standexmeder.com

Item No.:

USA: +1 / 508 295 0771

| Email: salesusa@standexmeder.com

9231871015

Asia: +852 / 2955 1682

| Email: salesasia@standexmeder.com

Item:

MK23-87-B-2

| Magnetic properties | Conditions | Min | Typ | Max | Unit |
|--|--|--------|-----|------|------|
| Pull-In excitation (Reference value) | Reed switch unmodified measured in coil- "define operation" | 10 | | 15 | AT |
| Test equipment | Testing 100% | KMS-01 | | | |
| Pull-In excitation (modified contact) | Reed switch modified phys. conditioned tolerance of +/- 1 AT | 18 | | 28 | AT |
| Test equipment | Testing 100% | KMS-22 | | | |
| Pull-In in milliTesla (modified contact) | MS150 - phys. caused tolerance +/- 0,1mT | 1,14 | | 2,13 | mT |

| Contact data 87 | Conditions | Min | Typ | Max | Unit |
|----------------------------|---|---------|-----|-----|------|
| Contact-form | | A | | | |
| Contact-material | Plating thicknesses are proprietary | Rhodium | | | |
| Contact rating | Any DC combination of V & A not to exceed their individual max.'s | | | 10 | W |
| Switching voltage | DC or Peak AC | | | 200 | V |
| Switching current | DC or Peak AC | | | 0,4 | A |
| Carry current | DC or Peak AC | | | 0,5 | A |
| Contact resistance static | Measured with 40% overdrive Start Value | | | 150 | mOhm |
| Contact resistance dynamic | Maximum value 1,5 ms after excitation Start Value | | | 200 | mOhm |
| Insulation resistance | RH <45 %, 100V - to all points | 1 | | | GOhm |
| Breakdown voltage | according to IEC 255-5 | 230 | | | VDC |
| Operate time incl. bounce | measured with 40% overdrive | | | 0,6 | ms |
| Release time | measured with no coil excitation | | | 0,1 | ms |
| Capacitance | @ 10 kHz across open switch | | 0,2 | | pF |

| Special Product Data | Conditions | Min | Typ | Max | Unit |
|-------------------------|------------|-----|-----|-----|------|
| Reach / RoHS conformity | | yes | | | |

| Environmental data | Conditions | Min | Typ | Max | Unit |
|-----------------------------|---------------------------------------|-----|-----|-----|------|
| Shock | 1/2 sine, duration 11ms, in 3 axis | | | 50 | g |
| Vibration | from 10 - 2000 Hz | | | 20 | g |
| Operating temperature | | -40 | | 130 | °C |
| Storage temperature | | -55 | | 130 | °C |
| Soldering Temperature Tsold | Reflow according IPC/JEDEC J-STD-020C | | | 260 | °C |

| General data | Conditions | Min | Typ | Max | Unit |
|--------------|------------|-----------------------|-----|-----|------|
| Packaging | | Tape & Reel 2500 pcs. | | | |

Modifications in the sense of technical progress are reserved

Designed at: 02.04.08 Designed by: AKELLER

Approval at: 24.06.08 Approval by: RKAMP

Last Change at: 12.05.17 Last Change by: DVUCKOVIC

Approval at: 12.05.17 Approval by: DVUCKOVIC

Version: 08

X-ON Electronics

Largest Supplier of Electrical and Electronic Components

Click to view similar products for [Proximity Sensors](#) category:

Click to view products by [Standexmeder](#) manufacturer:

Other Similar products are found below :

[01.001.5653.1](#) [70.340.1028.0](#) [70.360.2428.0](#) [70.364.4828.0](#) [70.810.1053.0](#) [72.360.1628.0](#) [73.363.6428.0](#) [8027AL20NL2CPXX](#) [FYCC8E1-2](#)
[9221350022](#) [922AA2W-A9P-L](#) [PLS2](#) [GL-12F-C2.5X10\(LOT3\)](#) [972AB2XM-A3N-L](#) [972AB3XM-A3P-L](#) [PS3251](#) [980659-1](#) [QT-12](#) [E2E2-](#)
[X5M41-M4](#) [E2E-X14MD1-G](#) [E2E-X2D1-G](#) [E2EX2ME2N](#) [E2EX3D1SM1N](#) [E2E-X4MD1-G](#) [E2E-X5E1-5M-N](#) [E2E-X5Y2-N](#) [E2E-X7D1-](#)
[M1J-T-0.3M-N](#) [E2FMX1R5D12M](#) [E2K-F10MC1](#) [5M](#) [EH-302](#) [EI3010TBOP](#) [EI5515NPAP](#) [MS605AU](#) [EP175-32000](#) [BSA-08-25-08](#)
[IFRM04N35B1/L](#) [IFRM04P1513/S35L](#) [IFRM06P1703/S35L](#) [IFRM08P1501/S35L](#) [IFRM12N17G3/L](#) [IFRM12P17G3/L](#) [IFRM12P3502/L](#)
[IFRM12P37G1/S14L](#) [ILFK12E9189/I02](#) [ILFK12E9193/I02](#) [IMM2582C](#) [OISN-013](#) [25.161.3253.0](#) [25.332.0653.1](#) [25.352.0653.0](#)