

Mountable 4 Port Rugged Industrial USB Hub

ST4200USBM



*actual product may vary from photos

DE: Bedienungsanleitung - de.startech.com

FR: Guide de l'utilisateur - fr.startech.com

ES: Guía del usuario - es.startech.com

IT: Guida per l'uso - it.startech.com

NL: Gebruiksaanwijzing - nl.startech.com

PT: Guia do usuário - pt.startech.com

For the most up-to-date information, please visit: www.startech.com

FCC Compliance Statement

This equipment has been tested and found to comply with the limits for a Class B digital device, pursuant to part 15 of the FCC Rules. These limits are designed to provide reasonable protection against harmful interference in a residential installation. This equipment generates, uses and can radiate radio frequency energy and, if not installed and used in accordance with the instructions, may cause harmful interference to radio communications. However, there is no guarantee that interference will not occur in a particular installation. If this equipment does cause harmful interference to radio or television reception, which can be determined by turning the equipment off and on, the user is encouraged to try to correct the interference by one or more of the following measures:

- Reorient or relocate the receiving antenna.
- Increase the separation between the equipment and receiver.
- Connect the equipment into an outlet on a circuit different from that to which the receiver is connected.
- Consult the dealer or an experienced radio/TV technician for help.

Use of Trademarks, Registered Trademarks, and other Protected Names and Symbols

This manual may make reference to trademarks, registered trademarks, and other protected names and/or symbols of third-party companies not related in any way to StarTech.com. Where they occur these references are for illustrative purposes only and do not represent an endorsement of a product or service by StarTech.com, or an endorsement of the product(s) to which this manual applies by the third-party company in question. Regardless of any direct acknowledgement elsewhere in the body of this document, StarTech.com hereby acknowledges that all trademarks, registered trademarks, service marks, and other protected names and/or symbols contained in this manual and related documents are the property of their respective holders.

Table of Contents

Introduction	1
Features	1
Package Contents	1
Connector Layout.....	2
Hardware Installation	3
Checking the Hub Installation	4
Specifications.....	4
Technical Support	5
Warranty Information.....	5

Introduction

Thank you for purchasing a StarTech.com ST4200USBM High-Speed 4-Port USB2.0 hub. This ruggedly built hub is ideal for industrial environments and can be wall-mounted or installed onto a DIN rail for convenient access to the ports. This four port industrial hub can be bus-powered or self powered, with a three wire terminal block connector (7-24V).

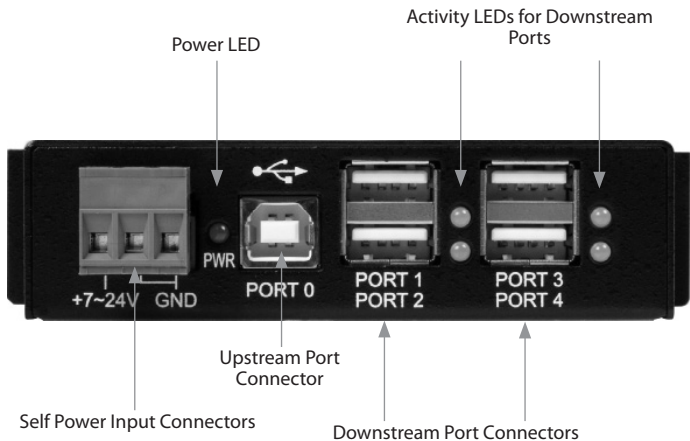
Features

- Choice of Bus Power and/or External Terminal Block Power
- Compact space saving and mountable design (mount on a wall or DIN rail)
- Max data transfer rate of up to 480 Mbps and backwards compatible with USB 1.1
- Includes a 2 meter USB cable for quick and easy installations

Package Contents

- USB 2.0 Hub
- User's Manual
- 2m USB A-B cable
- DIN Rail Mounting Kit

Connector Layout



Activity LEDs for Downstream Ports: These 4 LED indicators will blink whenever the USB ports are transferring data.

Upstream Port Connector: Type-B USB connector for upstream USB connection.

Self-Power Input Connectors: 3-Pin terminal block connectors used to connect the hub to an available power source. The voltage can be in the range of +7V to 24VDC.

WARNING: Ensure that the polarity of the input power is correctly matched to that of the terminal block pins. Otherwise, it may damage the hub.

Hardware Installation

1. Use static electricity discharge precautions

Eliminate the potential for static discharge from any objects that the hub may come in contact with before the installation. This can be accomplished by touching a bare metal chassis rail after you have turned off the power.

2. Apply DC power to the 3-pin Terminal Block Connector

The terminal block connector adds power to ensure there is enough to run the 4 downstream USB ports.

3. Connect the USB host cable

The host cable is a standard A-to-B USB2.0 cable. Connect the type-A connector to the upstream USB port being used, then connect the type-B connector to the USB hub. Since the hub is plug and play, it can be connected while the host computer is powered on.

4. Connect the USB devices to the downstream ports of the hub.

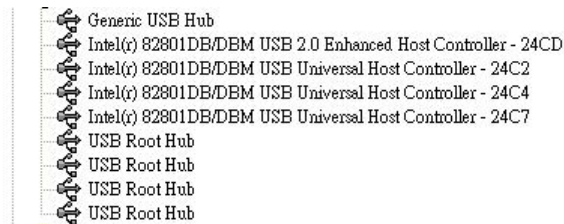
5. Mount the hub on the wall or DIN RAIL if required.



Checking the Hub Installation

To check the USB hub installation in Windows Device Manager, follow these steps:

1. Click Start
2. Click Control Panel
3. Click System
4. Click Device Manager
5. Double click Universal Serial Bus Controller
6. Double click Generic USB HUB
7. The message should show that the device is working properly



Specifications

Operating Temperature	0° to 55°C (32 to 131°F)
Operating Humidity	5 to 95% RH
Dimensions (LxWxH)	4.50"(L) x 2.26"(W) x 1.03"(H) (11.45 x 5.73 x 2.63cm)
Storage Temperature	-20° C to 85°C (-4°F to 185°F)
OS Compatibility	OS independent; No software or drivers required

Technical Support

StarTech.com's lifetime technical support is an integral part of our commitment to provide industry-leading solutions. If you ever need help with your product, visit www.startech.com/support and access our comprehensive selection of online tools, documentation, and downloads.

For the latest drivers/software, please visit www.startech.com/downloads

Warranty Information

This product is backed by a two year warranty.

In addition, StarTech.com warrants its products against defects in materials and workmanship for the periods noted, following the initial date of purchase. During this period, the products may be returned for repair, or replacement with equivalent products at our discretion. The warranty covers parts and labor costs only. StarTech.com does not warrant its products from defects or damages arising from misuse, abuse, alteration, or normal wear and tear.

Limitation of Liability

In no event shall the liability of StarTech.com Ltd. and StarTech.com USA LLP (or their officers, directors, employees or agents) for any damages (whether direct or indirect, special, punitive, incidental, consequential, or otherwise), loss of profits, loss of business, or any pecuniary loss, arising out of or related to the use of the product exceed the actual price paid for the product. Some states do not allow the exclusion or limitation of incidental or consequential damages. If such laws apply, the limitations or exclusions contained in this statement may not apply to you.

Hard-to-find made easy. At StarTech.com, that isn't a slogan. It's a promise.

StarTech.com is your one-stop source for every connectivity part you need. From the latest technology to legacy products — and all the parts that bridge the old and new — we can help you find the parts that connect your solutions.

We make it easy to locate the parts, and we quickly deliver them wherever they need to go. Just talk to one of our tech advisors or visit our website. You'll be connected to the products you need in no time.

Visit www.startech.com for complete information on all StarTech.com products and to access exclusive resources and time-saving tools.

StarTech.com is an ISO 9001 Registered manufacturer of connectivity and technology parts. StarTech.com was founded in 1985 and has operations in the United States, Canada, the United Kingdom and Taiwan servicing a worldwide market.

X-ON Electronics

Largest Supplier of Electrical and Electronic Components

Click to view similar products for [Startech](#) manufacturer:

Other Similar products are found below :

[USB32HD4K](#) [VGA2VID](#) [1394-99-6](#) [USBEXTAA10BK](#) [ST4200USBM](#)