

SMALL THERMOSTAT

KTO 011 / KTS 011

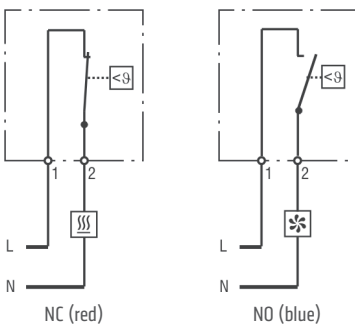
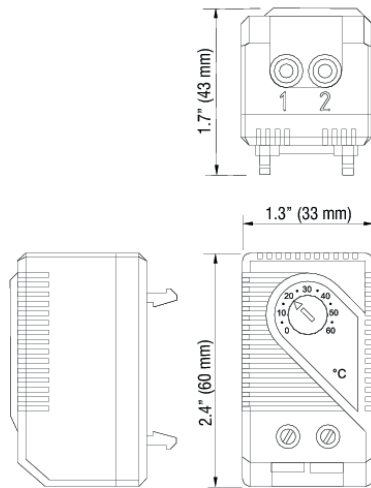


- > Compact design
- > Wide adjustment range

- > Color coded temperature dials
- > DIN rail mountable

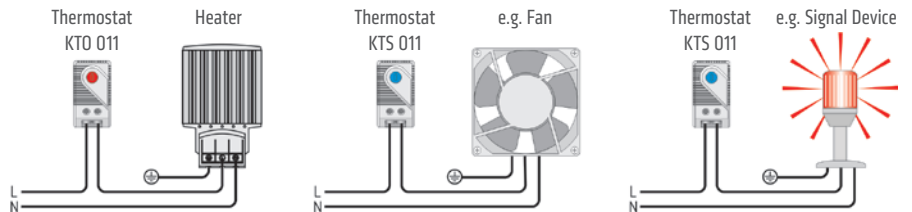
Thermostat (NC): Thermostat opens on temperature rise – for regulating heaters or for switching signal devices. Comes with red temperature dial.

Thermostat (NO): Thermostat closes on temperature rise – for regulating filter fans and heat exchangers or for switching signal devices. Comes with blue temperature dial.



- Enclosure heater
- Filter fan, cooling equipment, signal device

Wiring examples



TECHNICAL DATA



Switching difference	12.6 °F ± 7 °F tolerance (7 K ± 4 K)
Sensor element	thermostatic bimetal
Contact type	snap-action contact
Service life	> 100,000 cycles
Max. switching capacity	15 A resistive / 2 A inductive @ AC 120 V 10 A resistive / 2 A inductive @ AC 250 V DC 30 W (DC 24-72 V)
Max. inrush current	AC 16 A for 10 sec.
Connection	2-pole terminal, clamping torque 0.5 Nm max.: solid wire - AWG 14 max. (2.5 mm ²) stranded wire ¹ - AWG 16 max. (1.5 mm ²)
Housing	plastic, UL 94V-0, light grey
Mounting	clip for 35 mm DIN rail, EN 60715
Mounting position	vertical
Operating / Storage temperature	-49 to +176 °F (-45 to +80 °C)
Operating / Storage humidity	max. 95 %RH (non-condensing)
Dimensions	2.4 x 1.3 x 1.7" (60 x 33 x 43 mm)
Weight	approx. 1.4 oz. (40 g)
Protection type	IP20

¹ When connecting with stranded wires, wire end ferrules must be used.

Important note: The contact system of the regulator is subjected to environmental influences, thus the contact resistance may change. This can lead to a voltage drop and / or self-heating of the contacts.

Setting range	Part No. (NC)	Part No. (NO)	Approvals			
+32 to +140 °F	01140.9-00	01141.9-00	VDE	UL File No. E164102	CSA	EAC
0 to +60 °C	01146.9-00	01147.9-00	VDE	UL File No. E164102	CSA	EAC
-10 to +50 °C	01142.0-00	01143.0-00	VDE	UL File No. E164102	-	EAC
+14 to +122 °F	01142.9-00	01143.9-00	VDE	UL File No. E164102	CSA	EAC
+10 to +70 °C	N/A	01149.9-00	VDE	UL File No. E164102	-	EAC
-15 to +45 °C	01157.0-00	01156.0-00	VDE	UL File No. E164102	-	EAC
+20 to +80 °C	01159.0-00	01158.0-00	VDE	UL File No. E164102	CSA	EAC

X-ON Electronics

Largest Supplier of Electrical and Electronic Components

Click to view similar products for [stego manufacturer](#):

Other Similar products are found below :

[01870.0-30](#) [01873.0-30](#) [01874.0-30](#) [11884.0-30](#) [14003.0-00](#) [01805.0-00](#) [01925.0-00](#) [11870.0-00](#) [11873.0-00](#) [02541.1-03-0003](#) [03082.0-01](#)
[03082.0-00](#) [03084.0-00](#) [01131.2-01](#) [02031.0-00](#) [02032.0-00](#) [02035.0-10](#) [02540.0-03](#) [01131.9-00](#) [08605.0-00](#) [03114.0-00](#) [01871.1-30](#)
[01925.1-01](#) [12101.0-30](#) [01163.0-01](#) [01163.0-03](#) [01164.0-00](#) [01170.0-01](#) [01170.9-01](#) [08601.0-00](#) [01882.0-00](#) [14006.0-00](#) [14008.0-00](#)
[01802.0-00](#) [02820.0-06](#) [02701.0-00](#) [04640.0-00](#) [06020.0-00](#) [11802.0-00](#) [02540.0-00](#) [03202.9-00](#) [244358](#) [01131.2-00](#) [01231.1-00](#) [28410.0-](#)
[00](#) [244356](#) [01185.1-00](#) [02034.0-00](#) [02540.1-11](#) [02540.1-13](#)