

STEGOJET

SJ 019



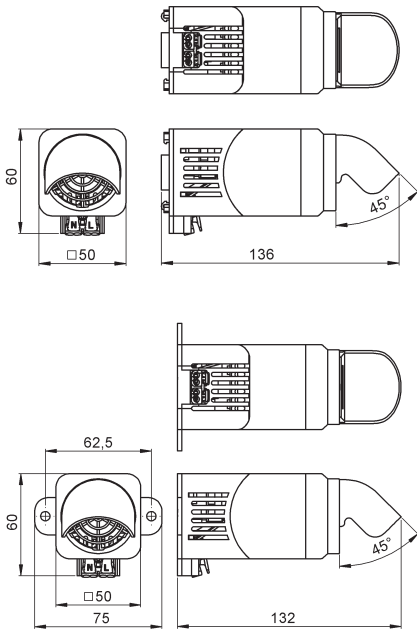
- > Prevents heat pockets
- > Wide voltage range
- > Compact design
- > Quick connection
- > Clip or screw fixing

The STEGOJET is a compact, powerful built-in-fan. It allows precise cooling of heat sources and the air flow prevents formation of heat pockets. Its design offers a maximum rotation range with an air output in almost any direction. On one hand the dual clip system (two clips in a 90° angle) allows four different positions on a DIN rail, while on the other hand the hinge in the housing can be moved in a 40° angle. The airflow at the air outlet can also be directed in a 45° angle and the air duct can be rotated in steps of 60°.

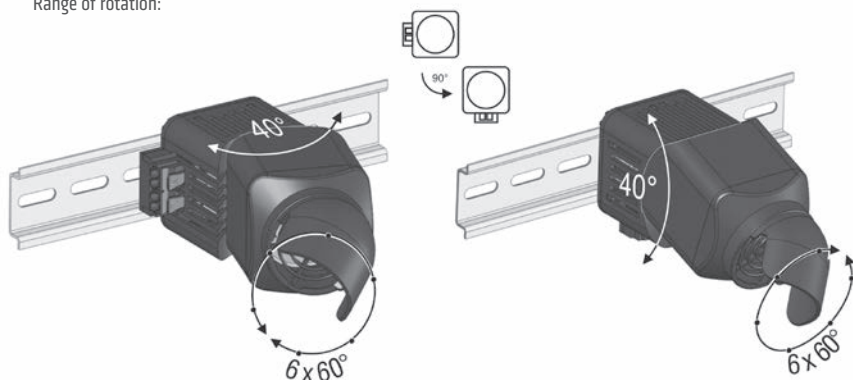


TECHNICAL DATA

Axial fan, ball bearing	air flow 27.6 m ³ /h, free flow service life 40,000 h at +60 °C (+140 °F), 90 % RH
Power consumption	4 W
Connection	2-pole dual pressure clamp for rigid wire 2.5 mm ² , stranded wire (with wire end ferrule) 1.5 mm ²
Casing	plastic according UL94 V-0, black
Mounting	clip for 35 mm DIN rail, EN 60715 or screw fixing (M5), torque 2 Nm max., washers have to be used
Fitting position	variable
Dimensions	132 x 75 x 60 mm
Weight	approx. 0.2 kg
Operating/Storage temperature	-10 to +60 °C (+14 to +140 °F)/-30 to +70 °C (-22 to +158 °F)
Operating/Storage humidity	max. 90 % RH (non-condensing)
Protection type	IP20



Range of rotation:



Art. No.	Model	Operating voltage	Protection class	Approvals		
01925.0-00	Clip fixing	AC 100 – 240 V, 50/60 Hz (min. AC 90 V, max. AC 265 V)	II (double insulated)	VDE	UL File No. E234324	EAC
01925.0-01	Screw fixing	AC 100 – 240 V, 50/60 Hz (min. AC 90 V, max. AC 265 V)	II (double insulated)	VDE	UL File No. E234324	EAC
01925.1-00	Clip fixing	DC 24 V (min. DC 12 V, max. DC 26.4 V)	III (double insulated)	VDE	-	EAC
01925.1-01	Screw fixing	DC 24 V (min. DC 12 V, max. DC 26.4 V)	III (double insulated)	VDE	-	EAC

X-ON Electronics

Largest Supplier of Electrical and Electronic Components

Click to view similar products for [Stego manufacturer:](#)

Other Similar products are found below :

[11874.0-00](#) [04640.0-00](#) [01925.0-01](#) [02541.1-03-0003](#) [03082.0-00](#) [06010.1-00](#) [01131.2-01](#) [01231.1-00](#) [01185.1-00](#) [01804.0-00](#) [02035.0-10](#)
[01131.9-00](#) [03092.1-12](#) [01881.2-00](#) [01880.1-00](#) [01881.1-00](#) [01870.1-30](#) [02200.0-00](#) [12101.0-30](#) [01163.0-01](#) [01163.0-03](#) [01164.0-00](#)
[01170.0-01](#) [01011.0-62](#) [12134.0-00](#) [12204.0-30](#) [04701.9-00](#) [04710.0-00](#) [06030.1-00](#) [06050.0-00](#) [06040.1-00](#) [14021.0-00](#) [04711.0-00](#)
[14010.0-00](#) [14013.0-00](#) [14014.0-00](#) [14016.0-00](#) [14017.0-00](#) [14019.0-00](#) [14022.0-00](#) [01803.0-00](#) [01131.0-00](#) [01350.0-00](#) [14006.0-00](#)
[01131.2-00](#) [01602.0-03](#) [01011.0-42](#) [02031.0-00](#) [244359](#) [01880.2-00](#)