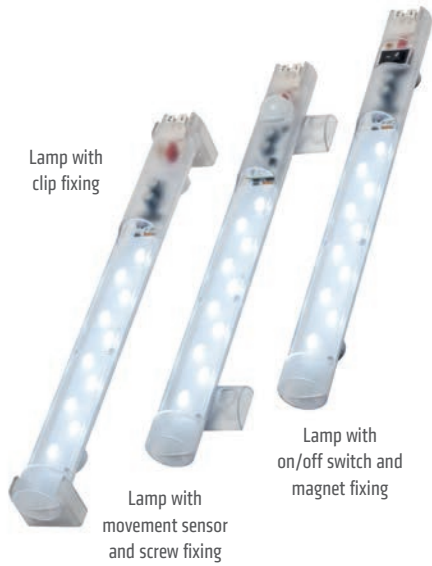


ECOLINE LAMP

LED 025



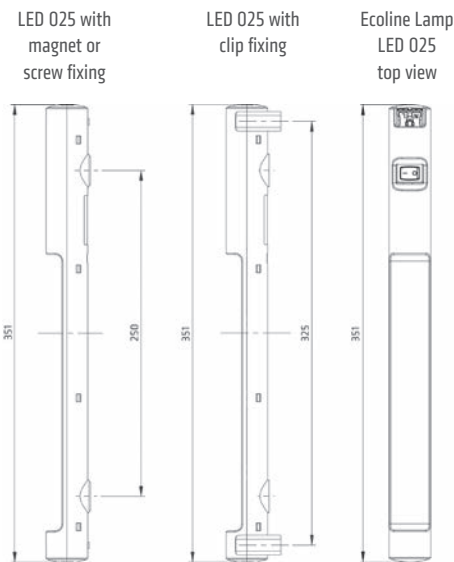
- > Wide voltage range
- > Integrated power unit
- > Dual pressure connection clamp
- > Daisy chain
- > Magnet, screw or clip fixing
- > Long-lived and maintenance-free by LED technology

The lamp series LED 025 is suitable for all types of panels and enclosures, especially where space is at a premium. The lamps have a very long service life thanks to the use of LED technology. Three different fixing options provide more flexibility for installation. The Ecoline series is a simplified version of the standard LED 025 lamp and has a dual pressure clamp for connection instead of connectors. Nonetheless it is suitable for daisy-chaining and allows for up to 10 lamps to be connected to each other.

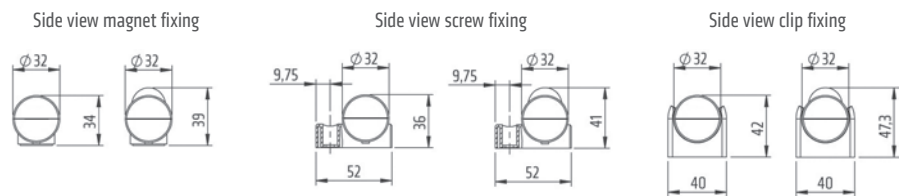


TECHNICAL DATA

Power consumption	max. 5 W
Luminosity	400 Lm at 120° (1,200 Lm at 360° or equivalent 95 W light bulb)
Lamp type	LED, angle of radiation 120° light color: daylight, color temperature: 6,000 K to 7,000 K
Service life	60,000 h at +20 °C (+68 °F)
Connection	2-pole dual pressure clamp for rigid wire 2.5 mm ² , stranded wire (with wire end ferrule) 1.5 mm ²
Mounting	magnet fixing or screw fixing (M5), clip fixing (M6), torque 2 Nm max.
Casing	plastic, transparent
Dimensions	see drawings
Weight	0.2 kg
Operating/Storage temperature	-30 to +60 °C (-22 to +140 °F) / -40 to +85 °C (-40 to +185 °F)
Operating/Storage humidity	max. 90 % RH (non-condensing)
Protection type/Protection class	IP20 / II (double insulated)



Mounting options: The lamps are available with magnet fixing for easy positioning in any steel cabinet or enclosure. A classic is the LED 025 with screw fixing. The clip holders exclusively designed for clip fixing of the LED 025 can be positioned anywhere in the cabinet by simply screwing the holders to the cabinet wall. The lamp is snapped into the clip holders and can be turned in both directions. With a total rotation angle of 180° it provides perfect illumination within the cabinet or enclosure.



Art. No. Magnet fixing	Art. No. Screw fixing	Art. No. Clip fixing	Operating voltage	Switch	Approvals		
02540.3-10	02540.3-11	02540.3-13	AC 100 – 240 V, 50/60 Hz (min. AC 90 V, max. AC 265 V) DC 90 – 110 V (min. DC 80 V, max. DC 125 V)	on/off light switch	VDE (REG.-Nr. E788) ¹	UL File No. E234324	EAC
02541.3-10	02541.3-11	02541.3-13	AC 100 – 240 V, 50/60 Hz (min. AC 90 V, max. AC 265 V) DC 90 – 110 V (min. DC 80 V, max. DC 125 V)	PIR movement sensor ²	VDE (REG.-Nr. E788) ¹	UL File No. E234324	EAC
02542.3-10	02542.3-11	02542.3-13	AC 100 – 240 V, 50/60 Hz (min. AC 90 V, max. AC 265 V) DC 90 – 110 V (min. DC 80 V, max. DC 125 V)	N/A	VDE (REG.-Nr. E788) ¹	UL File No. E234324	EAC
02540.1-10	02540.1-11	02540.1-13	DC 24 – 48 V (min. DC 20 V, max. DC 60 V)	on/off light switch	VDE (REG.-Nr. E788) ¹	UL File No. E234324	EAC
02541.1-10	02541.1-11	02541.1-13	DC 24 – 48 V (min. DC 20 V, max. DC 60 V)	PIR movement sensor ²	VDE (REG.-Nr. E788) ¹	UL File No. E234324	EAC
02542.1-10	02542.1-11	02542.1-13	DC 24 – 48 V (min. DC 20 V, max. DC 60 V)	N/A	VDE (REG.-Nr. E788) ¹	UL File No. E234324	EAC

¹ VDE Certificate of Conformity (REG.-Nr. E788); ² approx. 5 min. fixed switch-on duration
Note: The lamp must not be used for household lighting.

X-ON Electronics

Largest Supplier of Electrical and Electronic Components

Click to view similar products for [Racks & Rack Cabinet Accessories](#) category:

Click to view products by [Stego](#) manufacturer:

Other Similar products are found below :

[9104](#) [H-9163-B](#) [HTS10](#) [SC10-3A](#) [FPE04-3U](#) [HD102](#) [TS170](#) [DP-3U](#) [5261304-07](#) [5261308-07](#) [CG3-160G](#) [CM10](#) [8610-3124-S-26](#) [7142](#)
[512](#) [AEG-4000G](#) [AEG-3000G](#) [HD99](#) [SR3-41](#) [FP10B4HP-1](#) [29478](#) [SC11-1](#) [CFS-1.00/2.20](#) [AX61400TM](#) [HEC0800PB](#) [M6124-4007-A-24](#)
[8131-632-SS](#) [HD138](#) [HEC1500PB](#) [1CP108A](#) [HEC1000PB](#) [AC68BRAC3](#) [8432](#) [AEG-1000G](#) [AEG-2000B](#) [AEG-3000B](#) [AEG-4000B](#) [AEG-](#)
[5000B](#) [AEG-5000G](#) [8255-440-A](#) [B11V253NA](#) [02100.0-00](#) [02200.0-00](#) [RM632SCPG-8](#) [PR2V06](#) [PR2VF06](#) [PR2V0696](#) [PR2V0679](#) [8074-](#)
[632-A](#) [244422](#)