

# PTC HEATER

## HGK 047 | 10 - 30 W



- > Compact size
- > Heating power adjusts to ambient temperature

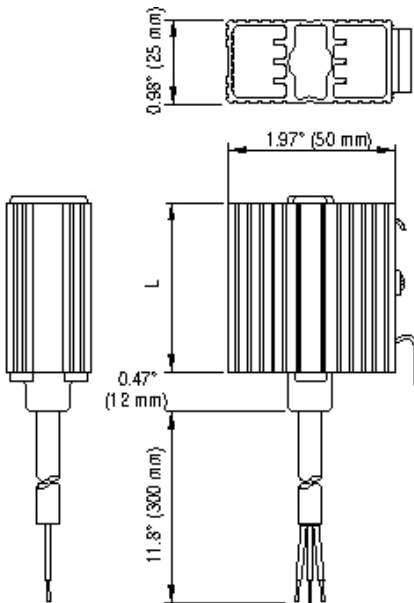
- > DIN rail mountable
- > Wide voltage range

The HGK 047 heaters are used in enclosures to maintain minimum operating temperatures and to help prevent failure of electronic components caused by condensation and corrosion.

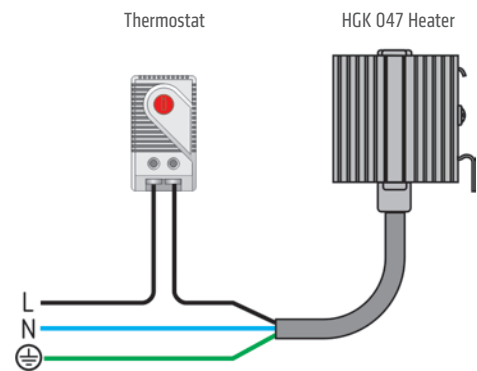


### TECHNICAL DATA

Operating voltage	see table below
Heating element	PTC resistor - temperature limiting
Heater body	extruded aluminum profile, anodized
Connection	3 x AWG 20 (0.5 mm <sup>2</sup> ), 12" (300 mm) length
Mounting	clip for 35 mm DIN rail, EN 60715
Mounting position	vertical
Operating / Storage temperature	-49 to +158 °F (-45 to +70 °C)
Operating / Storage humidity	max. 90 %RH (non-condensing)
Protection class / Protection type	I (grounded) / IP44



Wiring example



Part No.	Heating capacity <sup>1</sup>	Operating voltage <sup>2</sup>	Max. current (inrush)	Length (L)	Weight (approx.)	Approvals
04700.0-00	10 W	AC/DC 140-240 V	1.0 A	2.05" (52 mm)	3.0 oz. (85 g)	VDE GOST-R
04701.0-00	20 W	AC/DC 140-240 V	2.5 A	2.36" (60 mm)	3.6 oz. (100 g)	VDE GOST-R
04702.0-00	30 W	AC/DC 140-240 V	3.0 A	2.76" (70 mm)	4.0 oz. (110 g)	VDE GOST-R
04700.9-00	10 W	AC/DC 110-120 V	1.0 A	2.05" (52 mm)	3.0 oz. (85 g)	UL File No. E234324 GOST-R
04701.9-00	20 W	AC/DC 110-120 V	1.5 A	2.76" (70 mm)	4.0 oz. (110 g)	UL File No. E234324 GOST-R
04702.9-00	30 W	AC/DC 110-120 V	1.5 A	3.94" (100 mm)	5.2 oz. (150 g)	UL File No. E234324 GOST-R

<sup>1</sup> at 68°F (20°C) ambient temperature; <sup>2</sup> operating high voltage heaters below AC/DC 140 V reduces heating performance by approx. 10% (min. 110 V, max 265 V).

## X-ON Electronics

Largest Supplier of Electrical and Electronic Components

*Click to view similar products for [stego manufacturer](#):*

Other Similar products are found below :

[01870.0-30](#) [01872.0-30](#) [01873.0-30](#) [01874.0-30](#) [11884.0-30](#) [14003.0-00](#) [01925.0-00](#) [11870.0-00](#) [11873.0-00](#) [02541.1-03-0003](#) [03082.0-01](#)  
[03082.0-00](#) [03084.0-00](#) [01131.2-01](#) [02031.0-00](#) [02032.0-00](#) [02035.0-10](#) [02540.0-03](#) [01131.9-00](#) [08605.0-00](#) [03114.0-00](#) [01871.1-30](#)  
[01925.1-01](#) [12101.0-30](#) [01163.0-01](#) [01163.0-03](#) [01164.0-00](#) [01170.0-01](#) [01170.9-01](#) [08601.0-00](#) [01882.0-00](#) [14006.0-00](#) [14008.0-00](#)  
[01802.0-00](#) [02820.0-06](#) [02701.0-00](#) [04640.0-00](#) [06020.0-00](#) [11802.0-00](#) [02540.0-00](#) [03202.9-00](#) [244358](#) [01131.2-00](#) [01610.0-01](#) [01231.1-](#)  
[00](#) [28410.0-00](#) [244356](#) [01185.1-00](#) [02034.0-00](#) [02540.1-11](#)