

MOUNTING AID STEGOFIX PLUS

SFP 095



Screw mounting



Self-adhesive tape mounting Initial adhesive power is 40% and 1.1 lbs after 24hrs



Magnet mounting



Application example

- > Alternative to 35 mm DIN rail
- > Simple installation
- > For small, DIN rail mountable devices

- Optional:
- > Screw mounting
 - > Self-adhesive tape mounting
 - > Or Magnet mounting

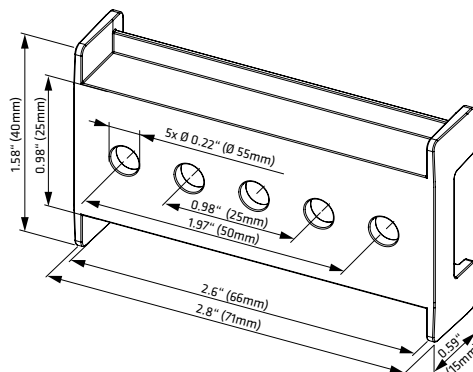
STEGOFIX PLUS allows for a quick and easy direct mounting of smaller devices where DIN Rails may be inconvenient, i.e. in cabinets and enclosures. It is suitable for devices with a DIN clip of 66 mm/2.6" width max., replacing the conventional 35 mm/1.4" DIN rail. STEGOFIX PLUS is available in three different mounting versions – for screw mounting with 25 mm/98" pitch, with high-performance adhesive tape or rubberized neodymium magnets – offering the right mounting method for almost any application.



TECHNICAL DATA

Applications	For devices designed for DIN rail mounting on 35 mm DIN rail (according to EN 60715), max. clip width 66 mm (2.6")
Mounting	
> Screw mounting	e.g. self-tapping screws DIN 7981 (ISO 7049), Ø 5.5 mm; thread-forming screws DIN 7500, M5; (not included in delivery)
> Self-adhesive tape mounting	adhesive surface 2.6 x 1" (65 x 25 mm)
> Magnet mounting	2 neodymium magnets, rubberized
Material	plastic, UL94V-0, black
Dimensions	2.8 x 1.6 x 0.6" (71 x 40 x 15 mm)
Operating temperature	-31 to +167 °F (-35 to +75 °C)
Storage conditions (self-adhesive tape)	optimal storage conditions for self-adhesive tape approx. +68 °F (+20 °C) at 50 % RH
Approvals	EAC

Installation notes: The self-adhesive mounting option can only be maintained on smooth surfaces, e.g. metals, lacquered surfaces and plastics (except, polyethylene, polypropylene and rubber). The surfaces must be dry & free from dust, oil separating agents & other contamination.



Part No.	Model	Max. Holding force ¹	1 packing unit	Weight (approx.)
09550.0-05	Screw mounting	-	5 pieces	2.3 oz. (65 g) total / 0.46 oz. (13 g) per piece
09550.1-05	Self-adhesive tape mounting	75 N	5 pieces	2.5 oz. (70 g) total / 0.49 oz. (14 g) per piece
09550.2-05	Magnet mounting	30 N	5 pieces	5.1 oz. (145 g) total / 1.0 oz. (29 g) per piece

¹ At room temperature. Depending on the conditions of use (e.g. surface condition, size of device to be mounted, etc.) the actual holding force may differ from the values specified in the table above.

X-ON Electronics

Largest Supplier of Electrical and Electronic Components

Click to view similar products for [Adhesive Tapes](#) category:

Click to view products by [Stego](#) manufacturer:

Other Similar products are found below :

[56-YELLOW-34"X72YD](#) [021200-64630](#) [62-GRAY-12"X36YD](#) [764-1"x36yd-Red](#) [764-1"x36yd-White](#) [PG ASSY](#) [9500PC-3/4](#) [130C-1X15FT](#) [BDN11-3CB/A01](#) [1900-48mm](#) [22-1/2X36YD](#) [88-SUPER-34X44FT](#) [890103N001](#) [2670](#) [SJ3527N-Black-1.5"x50yd](#) [EVK-TA-TM047NBH01](#) [20-1"X60YDS](#) [2020-18mmx55m](#) [H150](#) [363](#) [3900-Blue](#) [396-1"x36yd](#) [4016-34"x36yd](#) [4462-SN100](#) [4462W-12"x72yd](#) [4504-34x18](#) [471-Trans-1"x36yd-Bulk](#) [5414 34X36](#) [C-22](#) [4008-12"X36YD](#) [4104-34"x18yd](#) [444-1"x36yd](#) [4466 1"](#) [4466W-1/2"x36yd](#) [4492B-12"x72yd](#) [4492B-1"x72yd](#) [4496W-12"x36yd](#) [4508-1"x36yd](#) [4516-3/8x36](#) [4726 1/2"X36YD](#) [054007-43154](#) [5414 1X36](#) [56 TAPE \(1/2"\)](#) [56-YELLOW-58"X72YD](#) [600-12"x72yd](#) [687-758](#) [764-1"x36yd-Yellow](#) [766-3"x36yd-YellowBlack](#) [EVK-TA-TM070RBH10](#) [88-SUPER-3/4X66FT](#)