

ST98

汽车继电器

Automotive Relays

- 80A触点切换能力 80A rating switching capability
- 可提供塑料支架和金属支架 Plastic Bracket & Metal Bracket Available
- 环境温度 Ambient temperature range: $-40^{\circ}\text{C} \sim 125^{\circ}\text{C}$
- 外形尺寸 Outline dimensions: (26.0 x 26.0 x 23.7)mm



RoHS

用途举例 Application Examples

- 后窗除雾器 Rear Windows Defogger、
- 电池断路装置 Battery Disconnection Device、
- 汽车空调 Air-Conditioning System、
- 雾灯/大灯控制 Fog Lamp & Headlight Control、
- 油泵控制 Fuel Pump Control、
- 防抱死制动 ABS Control system、
- 冷却风扇控制 Cooling Fan Control、
- 电源管理系统 Power Management

型号命名标准 Product Code Structure

| | | | | | | | | | |
|--|------|-----|---|---|----|----|---|----|--------|
| | ST98 | -12 | R | T | -C | 80 | F | -S | -(XXX) |
| 基本型号 Type | | | | | | | | | |
| ST98: 标准形式 | | | | | | | | | |
| ST98P: PCB | | | | | | | | | |
| ST98M: Metal Bracket | | | | | | | | | |
| ST98B: Plastic Bracket | | | | | | | | | |
| 线圈额定电压 Coil voltage | | | | | | | | | |
| 12, 24 | | | | | | | | | |
| 线圈并联元件 Coil Paralleled Component | | | | | | | | | |
| Blank: Standard | | | | | | | | | |
| R: with resistor (680Ω 12V) (2700Ω 24V) | | | | | | | | | |
| D1: with diode (the diode anode on #85 terminal) | | | | | | | | | |
| D2: with diode (the diode anode on #86 terminal) | | | | | | | | | |
| 耐热等级 Heat Resistant | | | | | | | | | |
| Blank: Standard type T: Heat resistant type | | | | | | | | | |
| 触点结构 Contact form | | | | | | | | | |
| A -- FORM 1A, C -- FORM 1C | | | | | | | | | |
| 触点负载 Contact Rating | | | | | | | | | |
| 80: 80A | | | | | | | | | |
| 触点材质 Contact material | | | | | | | | | |
| Blank-- AgSnO ₂ , F-- AgNi | | | | | | | | | |
| 封装形式 Category of protection | | | | | | | | | |

线圈参数 Coil Data(DC)

| 额定电压 Rated voltage (V) | 线圈电阻 Coil resistance (Ω) | 吸合电压 Operate voltage | 释放电压 Release voltage | 最大允许电压 Max release voltage | 额定功耗 Rated coil power |
|------------------------------|--------------------------------|----------------------------|----------------------------|----------------------------------|--------------------------|
| | | 额度电压的 % of rated voltage | | | |
| 12 | 90 | 65% Max | 10% Min | 130% | Approx. 1.6W |
| 24 | 320 | | | | Approx. 1.8W |

触点参数 Contact Data

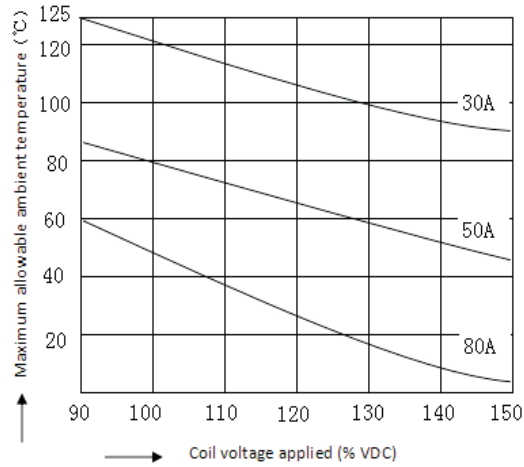
| 触点结构 Contact Arrangement | 1A | 1C |
|--------------------------------|-----------------------|--------------------------------|
| 额定负载 Contact Rating | 80A 14VDC | NO: 80A 14VDC NC: 60A 14VDC |
| 接触电阻 Contact resistance | 100mΩ max (1A/6VDC) | |
| 最大开闭电流 Max. switching current | 80A | |
| 最大开闭功率 Max. continuous voltage | 1120W | |
| 最小开闭负载 Min. contact load | 1A 6VDC | |
| 机械寿命 Mechanical endurance, | 1x105 ops | |
| 电气寿命 Electrical endurance | 1x105 ops | |

性能参数 Characteristics

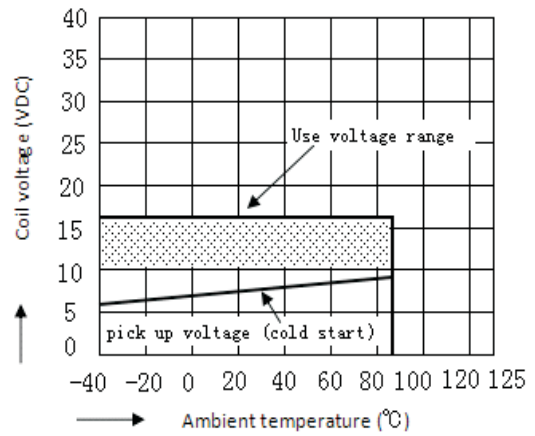
| | | |
|--|--------------------------------|----------------------------|
| 吸合时间 Operate time | | ≤15ms |
| 释放时间 Release time | | ≤15ms |
| 绝缘电阻 Insulation resistance | | 1000MΩ以上 (500VDC) |
| 介质耐压 Initial dielectric strength | 线圈触点间 Between contact and coil | 500V 50/60Hz 1min |
| | 开路触点间 Between open contacts | 500V 50/60Hz 1min |
| 振动 Vibration resistance | | 10~500Hz, 5.0G |
| 冲击 Shock resistance | 稳定性 Functional | 10G |
| | 强度 Destructive | 100G |
| 温度范围 Ambient operating temperature | Standard type | -40°C~+85 °C (no freezing) |
| | Heat resistant type | -40~125°C(no freezing) |
| 湿度范围 Ambient operating humidity | | 5-85%RH |
| 重量 Weight | | Approx.38g |

性能曲线 Engineering Data

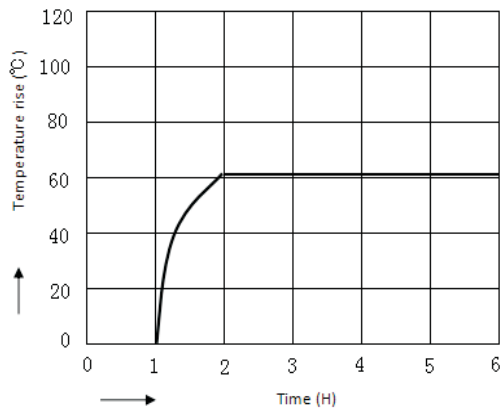
Allowable ambient temperature



Ambient temperature and coil voltage (reference value of coil voltage 12VDC)



Coil temperature rise (ambient temperature 23 °C)

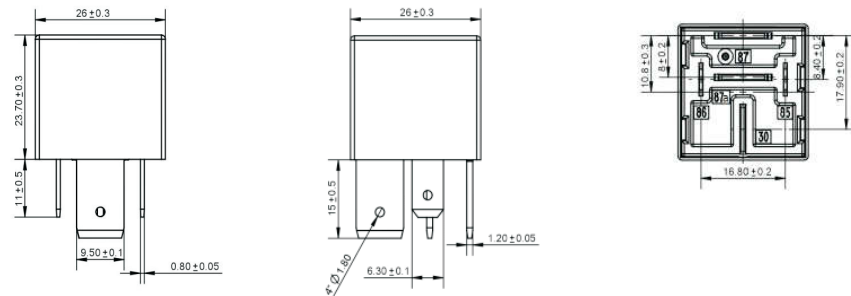


外形图、接线图、安装孔尺寸 Outline dimensions、PCB Layout、Wiring Diagram (mm)

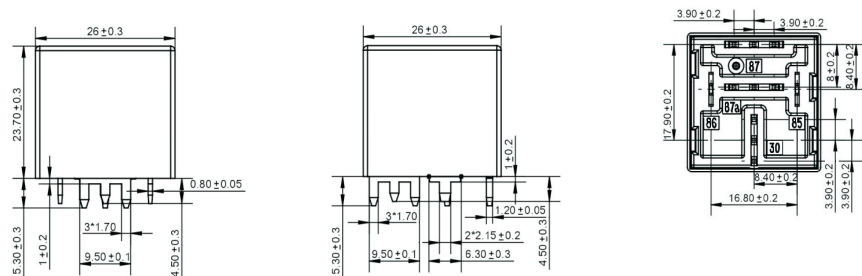
外形图 Outline dimensions

安装孔 (底部视图) PCB Layout (Bottom View)

1) ST98



2) ST98P

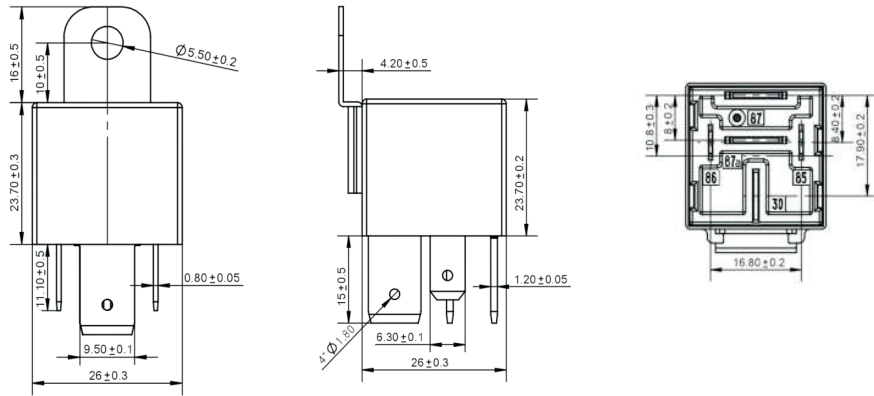


外形图、接线图、安装孔尺寸 Outline dimensions、PCB Layout、Wiring Diagram (mm)

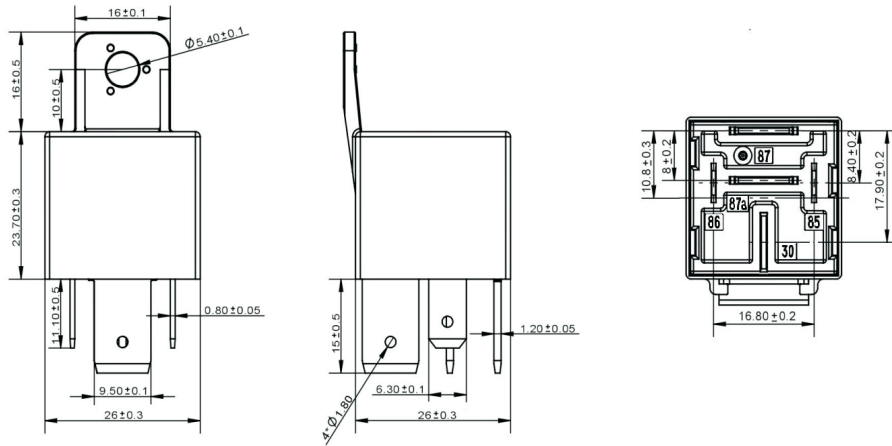
外形图 Outline dimensions

安装孔 (底部视图) PCB Layout (Bottom View)

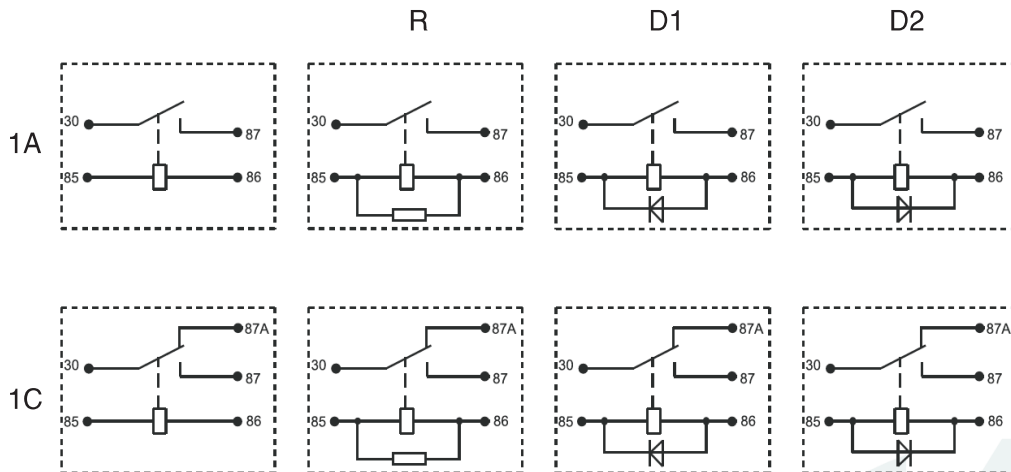
3) ST98M



4) ST98B



接线图 Wiring Diagram



X-ON Electronics

Largest Supplier of Electrical and Electronic Components

Click to view similar products for [Automotive Relays](#) category:

Click to view products by [STEIPU](#) manufacturer:

Other Similar products are found below :

[7-1414968-8](#) [7-1617345-6](#) [9-1617516-5](#) [1393204-2](#) [1393302-3](#) [13Z99A115-0074](#) [1432872-1](#) [AR4-15F11-S01](#) [AR4-15H11](#) [1617057-2](#)
[1617518-5](#) [2-1617057-2](#) [2-1617057-6](#) [CB1F-M-12V-H15](#) [898H-1AH-D-001-12VDC](#) [AR4-11F11](#) [AR4-15F11](#) [AR4-41F11](#) [24198-1](#) [41FZ-](#)
[200ACG-BSL](#) [5-1616920-2](#) [5407-0011-HS](#) [CB1AF-M-12V-H59](#) [5-1617346-8](#) [1-1617059-9](#) [V23134A1052X299](#) [6-1393302-1](#) [CP112J](#)
[897H-1AH-D-R1-U01-12VDC](#) [871-1A-S-12VDC](#) [5436-0001-HS](#) [V23086-R1851-A502](#) [V23136-A0004-X075](#) [RH4C1P2607](#) [RE031005](#)
[V23134M0052G242](#) [1393204-1](#) [23234B0001X001-EV-144](#) [AZ9731-1C-12DC4](#) [AZ979-1A-24D](#) [V23134B0052C642](#) [V23234-A1001-X036](#)
[V23234C0001X006](#) [2138602-1](#) [V23134J0065X497](#) [V23134J2053X194](#) [VF4A-45H11](#) [VF7-11F11-S01](#) [LD-12P](#) [FBR56ND12-W1](#)