

STKF

汽车继电器 Automotive Relays

- 带通用端子的经济型方形继电器 Compact relay with standard PCB layout
- 高开关电源: 15A DC14V 15A 14 VDC switching capacity
- 线圈功耗 Coil power: 800mW
- 外形尺寸 Outline dimensions: (19.2 x 15.5 x 15.25) mm



RoHS

用途举例 Application Examples

- 中央门锁 Central door lock
- 防抱死刹车 ABS system
- 安全带松紧调节 Belt tension adjustment
- 座位调节 Seat positioning
- 电动车窗 Power window

型号命名标准 Product Code Structure

基本型号 Type	STKF	-12	M	V	1	-(XXX)
线圈额定电压 Coil voltage	09, 12, 24					
触点结构 Contact of arrangement	Blank-- FORM 1C, M-- FORM 1A, B-- FORM 1B					
封装形式 Category of protection	V-- 非密封型 Flux proof, S-- 密封型 Wash tight					
接点材质 Contact material	1--AgNi, 2--AgCdO, 3--AgSnO					
特殊标记 Suffix	Blank -- Standard, (XXX) -- 客户特殊需求 customer special requirement					

线圈参数 Coil Data(DC)

额定电压 Rated voltage (V)	额定电流 Rated current (mA)	线圈电阻 Coil resistance (Ω)	吸合电压 Operate voltage	释放电压 Release voltage	最大允许电压 Max release voltage	额定功耗 Rated coil power
			额定电压的 % of rated voltage			
6	133.3	45	75% Max	5% Min	130%	Approx. 800mW
12	66.7	180				
24	33.3	720				

注：额定电流和线圈电阻是在线圈温度23℃，公差为±10%
Note. The rated current and coil resistance are measured at a coil temperature of 23° C with a tolerance of ± 10%

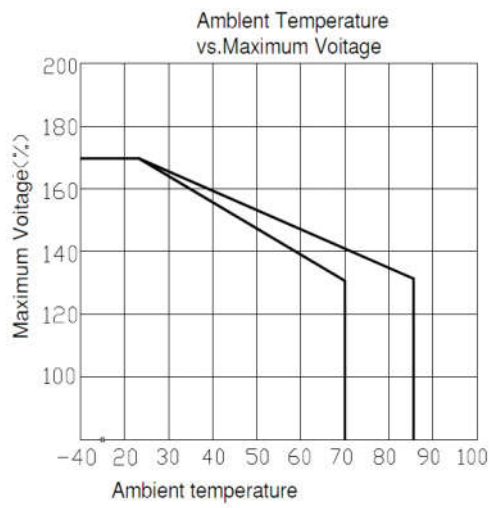
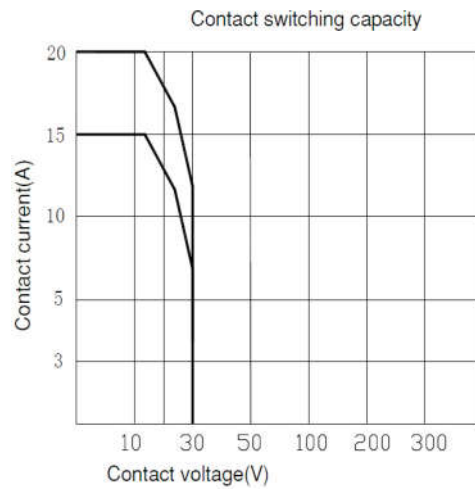
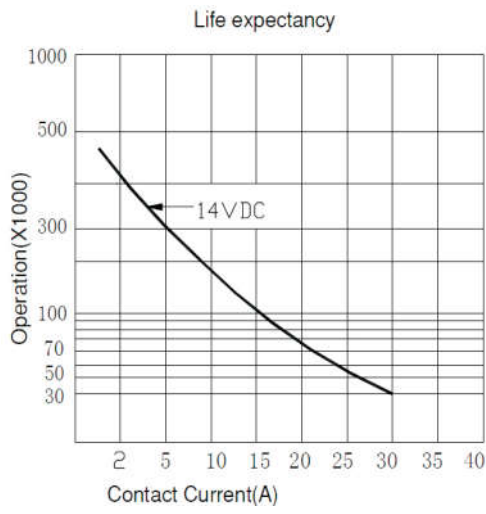
触点参数 Contact Data

接触电阻 Contact resistance	100mΩ max (1A/6VDC)
额定负载 rated load	15A 14VDC
最大连续电流 Max. continuous current	20A
最大连续电压 Max. continuous voltage	16VDC
机械寿命 Mechanical endurance,	1x10 ⁷ ops (at 18,000 ops /h)
电气寿命 Electrical endurance	1x10 ⁶ ops (at 360 ops /h)

性能参数 Characteristics

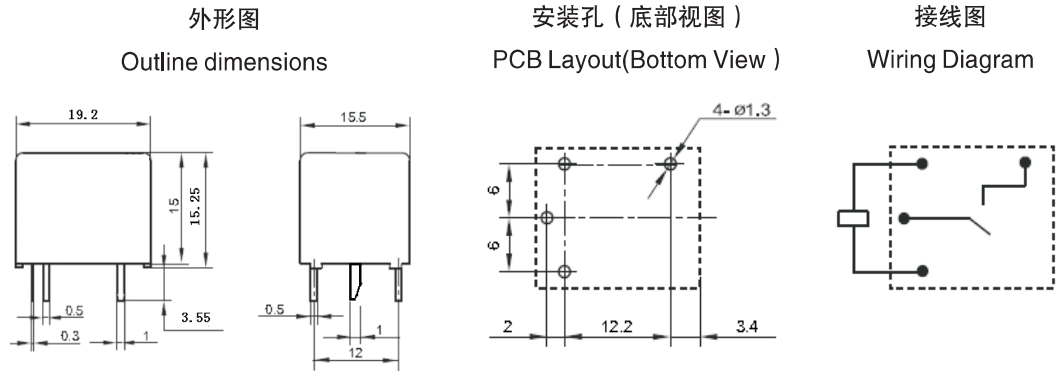
吸合时间 Operate time	≤10ms	
释放时间 Release time	≤5ms	
绝缘电阻 Insulation resistance	1000MΩ以上 (500VDC)	
介质耐压 Initial dielectric strength	线圈触点间 Between contact and coil	AC1500V 50/60Hz 1min
	开路触点间 Between open contacts	AC750V 50/60Hz 1min
振动 Vibration resistance	10~55~10Hz (双振幅 1.5mm) (double amplitude 1.5mm)	
冲击 Shock resistance	稳定性 Functional	100m/S ² (10G)
	强度 Destructive	1000m/S ² (100G)
温度范围 Ambient operating temperature	-40℃~+85 ℃ ;	
湿度范围 Ambient operating humidity	20-85%RH	
引出端形式 Termination	PCB	
重量 Weight	Approx.9.5g	

性能曲线 Engineering Data

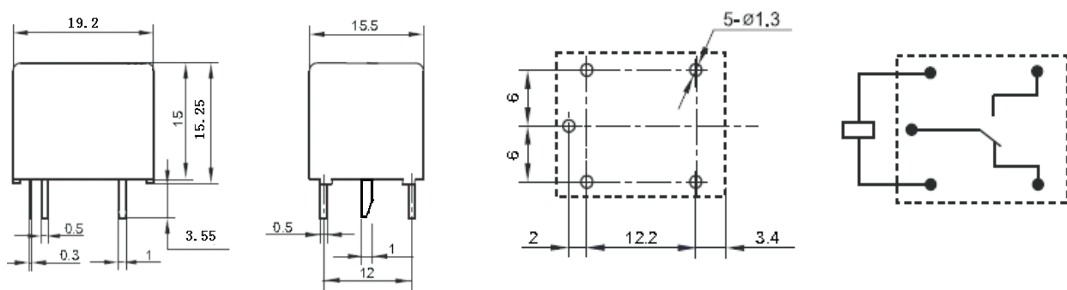


外形图、接线图、安装孔尺寸 Outline dimensions、PCB Layout、Wiring Diagram (mm)

1) 1A



2) 1C



未注尺寸公差 dimension tolerance

<1mm: +0.2 mm, 1~5 mm: ± 0.3mm, >5mm: ± 0.4mm

注: 安装孔尺寸中未注尺寸公差为+0.1 mm Note . dimension tolerance of the mounting hole +0.1 mm

使用注意事项 Precautions

- 一般的注意事项请参考“印刷基板用继电器共通注意事项”。
- Please refer to “PCB Relays Common Precautions” for correct use.

X-ON Electronics

Largest Supplier of Electrical and Electronic Components

Click to view similar products for [Automotive Relays](#) category:

Click to view products by [STEIPU](#) manufacturer:

Other Similar products are found below :

[7-1414968-8](#) [7-1617345-6](#) [9-1617516-5](#) [1393204-2](#) [1393302-3](#) [13Z99A115-0074](#) [1432872-1](#) [AR4-15F11-S01](#) [AR4-15H11](#) [1617057-2](#)
[1617518-5](#) [2-1617057-2](#) [2-1617057-6](#) [CB1F-M-12V-H15](#) [898H-1AH-D-001-12VDC](#) [AR4-11F11](#) [AR4-15F11](#) [AR4-41F11](#) [24198-1](#) [41FZ-](#)
[200ACG-BSL](#) [5-1616920-2](#) [5407-0011-HS](#) [CB1AF-M-12V-H59](#) [5-1617346-8](#) [1-1617059-9](#) [V23134A1052X299](#) [6-1393302-1](#) [CP112J](#)
[897H-1AH-D-R1-U01-12VDC](#) [871-1A-S-12VDC](#) [5436-0001-HS](#) [V23086-R1851-A502](#) [V23136-A0004-X075](#) [RH4C1P2607](#) [RE031005](#)
[V23134M0052G242](#) [1393204-1](#) [23234B0001X001-EV-144](#) [AZ9731-1C-12DC4](#) [AZ979-1A-24D](#) [V23134B0052C642](#) [V23234-A1001-X036](#)
[V23234C0001X006](#) [2138602-1](#) [V23134J0065X497](#) [V23134J2053X194](#) [VF4A-45H11](#) [VF7-11F11-S01](#) [LD-12P](#) [FBR56ND12-W1](#)