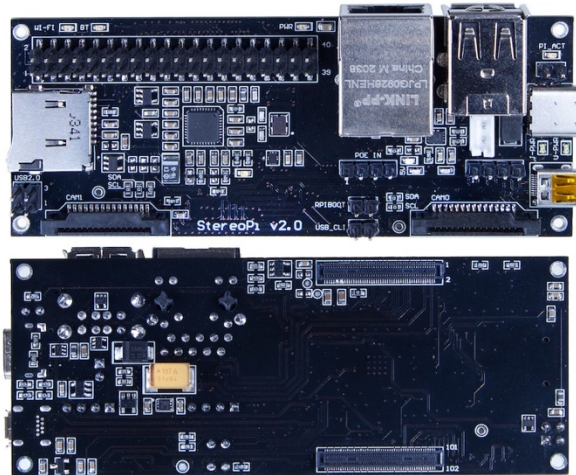


# StereoPi v2 Standard Edition

Mouser PN: 392-STPI2-REG-01



---

## Brief Description

- StereoPi is a carrier board for a Raspberry Pi Compute Module 4.
- This is an open source stereoscopic camera based on Raspberry Pi. It can capture, save, livestream, and process real-time stereoscopic video and images. StereoPi opens up countless possibilities in robotics, AR/VR, computer vision, drone instrumentation, panoramic video, and more.

---

## Features & Specifications

- **Raspberry Pi Compatibility:**
  - Raspberry Pi Compute Module 4, including:
    - – both wireless-equipped and no-wireless versions
    - – eMMC equipped and no eMMC editions
    - – 1, 2, 4, and 8 Gb RAM versions
- **Dimensions:**
  - width x length: 100 mm x 40 mm
  - height: 23 mm (standard edition) / 15 mm (slim edition)
- **Video:**
  - input: two 15-pin CSI-2 camera connectors
  - output: one micro HDMI
- **Camera Support:**
  - Raspberry Pi camera V1 (OV5647 sensor), V2 (Sony IMX 219 sensor), HQ (IMX477 sensor)
  - HDMI video capture module (single mode, on Toshiba TC358743XBG chip)
  - Other camera modules with additional drivers
- **Connectivity:**
  - GPIO: 40-pin classic Raspberry Pi header
  - USB: 2 x USB Type-A, 1 x USB pin header
  - Ethernet: RJ45 jack
- **Storage:**
  - microSD card slot (for non-eMMC versions of CM4)
- **Power:**
  - 5 V DC input via two-pin header
  - USB C power input
  - Power hot-swap support
  - PoE support with external shield
- **Software:**
  - Raspberry OS support “out of the box”
  - eMMC software upload support

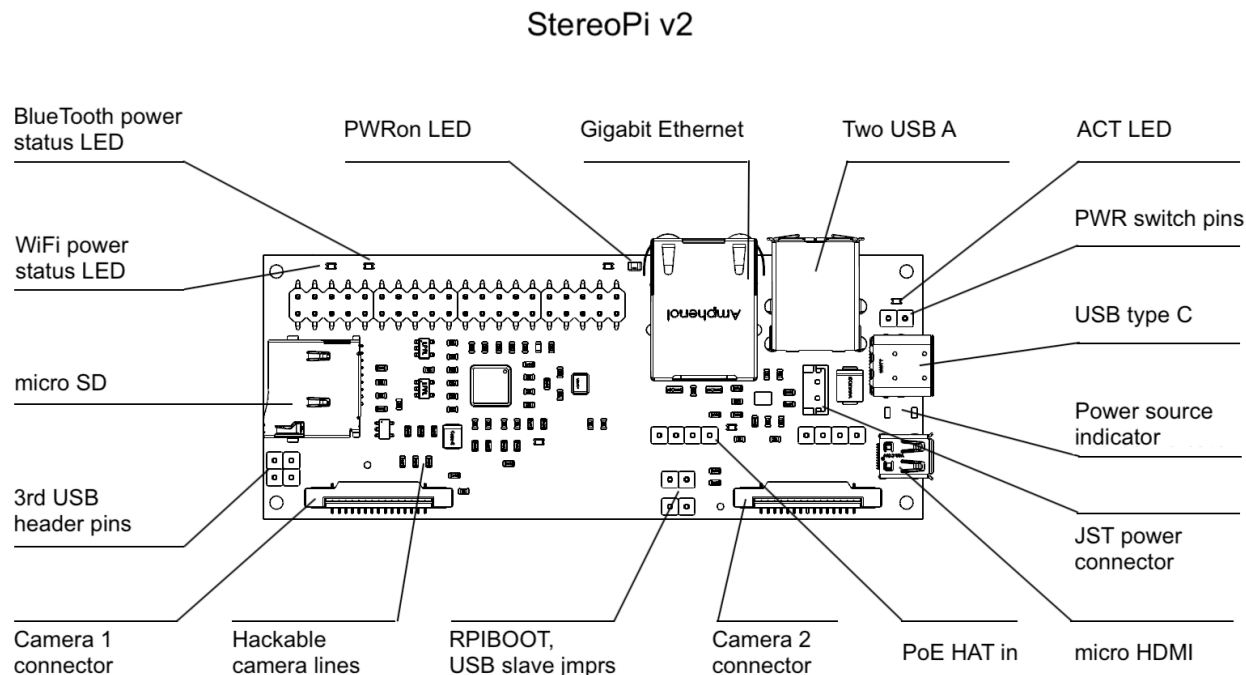
---

## Kit content:

- 1 x StereoPi v2 Standard board
- 2 x Short power cable (JST EHR 2 connector)
- 3 x Jumpers

---

## Specific details



*StereoPi v2 Standard Edition*

---

## Additional information

StereoPi V2 Standard edition is **RoHS 3 Compliant**

## X-ON Electronics

Largest Supplier of Electrical and Electronic Components

*Click to view similar products for [Camera Development Tools](#) category:*

*Click to view products by [StereoPi](#) manufacturer:*

Other Similar products are found below :

[P0447](#) [1937](#) [MXOV10635-S32V](#) [OV10640CSP-S32V](#) [SEN0173](#) [DS90UB953-Q1EVM](#) [3508](#) [3538](#) [EP-DCOV2735-F36](#) [3100](#) [3202](#) [3622](#)  
[397](#) [4407](#) [4469](#) [4959](#) [108024](#) [108025](#) [108226](#) [108225](#) [108320](#) [108328](#) [108329](#) [DFR0498](#) [DFR0620](#) [ESP-EYE](#) [030-0276-0101\\_A](#) [QC-DB-](#)  
[U10006](#) [DP-VIP-I-EVN](#) [USB3-VIP-EVN](#) [CS-DEPTHAI-05](#) [CS-DEPTHAI-06](#) [MCIMXCAMERA1MP](#) [MINISASTOCSI](#)  
[MX8XMIPI4CAM2](#) [PIM365](#) [PIM366](#) [S32V-SONYCAM](#) [110991190](#) [114991702](#) [114992261](#) [114992262](#) [114992263](#) [114992264](#)  
[114992265](#) [CXD5602PWBCAM1\\_FG\\_875607605\\_P](#) [CXD5602PWBCAM1C\\_FG\\_875607606\\_P](#) [CXD5602PWBCAM1E\\_FG\\_875607607\\_P](#)  
[SEN-15570](#) [STPI2-CAMKIT-01](#)