



Safety foot switch

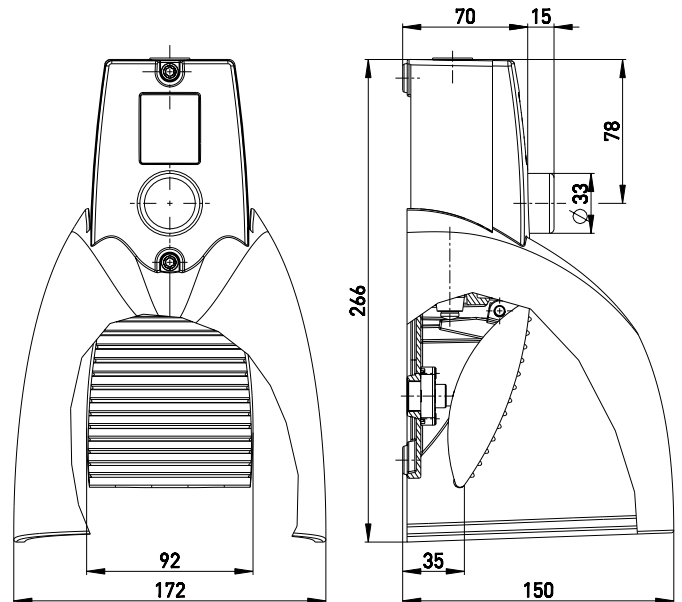
GFSI 2S D 2Ö VD

Material no.: 1177932 (material no. old: 53233001)

Product features

- NC contact 15-16 \ominus in series with NO contact 23-24 (internal wiring)
- Ergonomic pedal design and wide opening in protective shield
- Wiring compartment

Dimensions



Technical data

Applied standards

EN ISO 13849-1, EN 60947-5-1, GS-ET-15

Enclosure

aluminium die-cast, powder-coated

Pedal

aluminium die-cast, powder-coated

Protective shield

aluminium die-cast, powder-coated

Degree of protection

IP65 (IEC/EN 60529)

B_{10d} (10 % load)

200 000

T_M

max. 20 years

Connection

screw connection terminals

Cable cross-section

min. 0.5 mm², max. 2.5 mm² (rigid or flexible with conductor ferrules)

Cable entry

1 x M20 x 1.5

Contact material

silver

Switching system

slow action, positive break NC contacts \ominus

Switching elements

2 NO/2 NC contacts

Actuating force

pressure point approx. 245 N

Utilisation category

AC-15

Rated impulse withstand voltage U_{imp}

6 kV

Rated insulation voltage U_i

500 V

Conditional short-circuit current

1100 A

Conventional thermal current I_{the}

16 A

Rated operating current/voltage I_e/U_e

16 A/400 VAC

Contact load capacity

max. 400 VAC, max. 16 A (cos φ = 1)

Short-circuit protection

16 A gG/gN fuse

Ambient temperature

-25 °C ... +80 °C

Mechanical life

> 100 000 operations

Errors and omissions excepted.



Safety foot switch

GFSI 2S D 2Ö VD

Material no.: 1177932 (material no. old: 53233001)

Technical data (contd.)

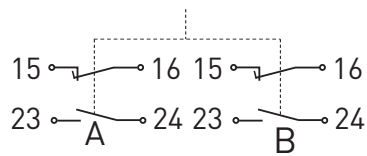
Approvals



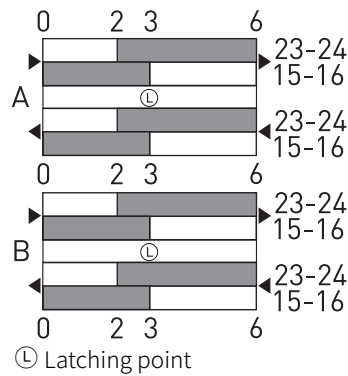
Weight

1578 g

Contact diagram



Switching diagram



X-ON Electronics

Largest Supplier of Electrical and Electronic Components

Click to view similar products for [Control Switches](#) category:

Click to view products by [steute](#) manufacturer:

Other Similar products are found below :

[76156-00](#) [80932-99](#) [HW4S-2TC10](#) [89804-08](#) [RL01801](#) [ASD2L20N-LVO](#) [50051857-17](#) [50099156-001-05](#) [WEL.CT5B7](#) [CC-100N](#) [ERSA-842BD](#) [ERSA-832EDLF](#) [V19-11D-12R-S](#) [V19-11D-12G-S](#) [V16-21D-12R-S](#) [ERSA-842UD](#) [ERSA-832UDLF](#) [ERSA-832BDLF](#) [ERSA-0102CDLF18](#) [ERSA-0102CDLF12](#) [ERSA-0102CDLF04](#) [1M31T1B1M1QE](#) [AX-150](#) [AX-7510](#) [AX-C705](#) [FF3-21-AC-03](#) [ELSEC5](#) [ELSEC20](#) [SPE-8](#) [AX-380](#) [AX-C605](#) [ELSEC20/10](#) [BAT-SG4](#) [14.7456M-HC49-S](#) [DRM3X4](#) [D/R75](#) [74611-24](#) [GT47/100](#) [CAMPING3AA](#) [79981-99](#) [81866-26](#) [86303-26](#) [CP-37-2G](#) [JBC-T10D](#) [JBC-T20D](#) [JBC-T05D](#) [JBC-0552851](#) [V19-11R-12Y-S](#) [V19B-11R-12G-S](#) [V22-21R-12B-S](#)