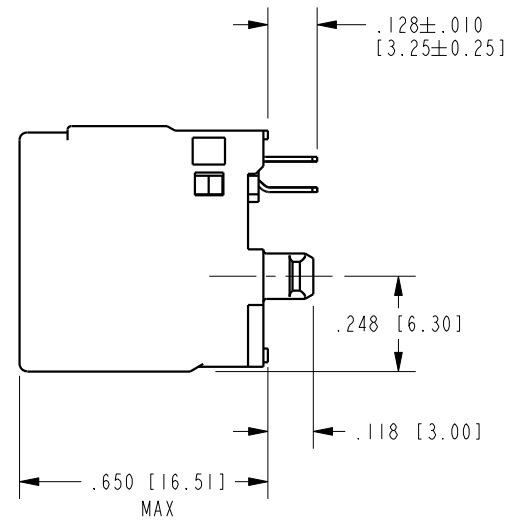
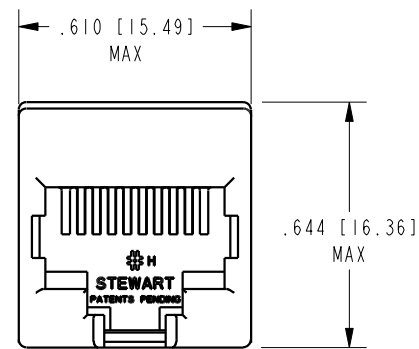
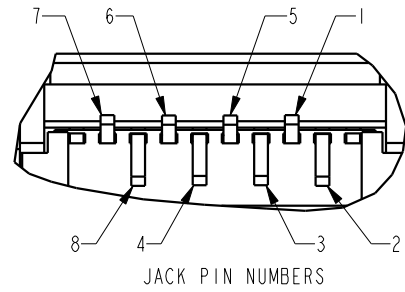
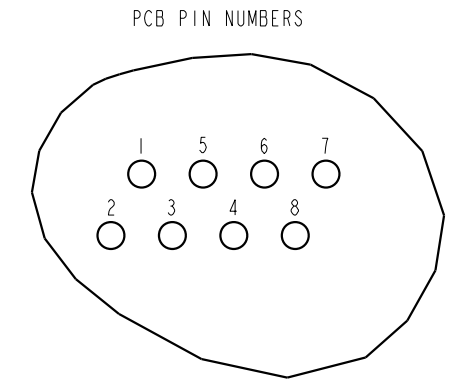
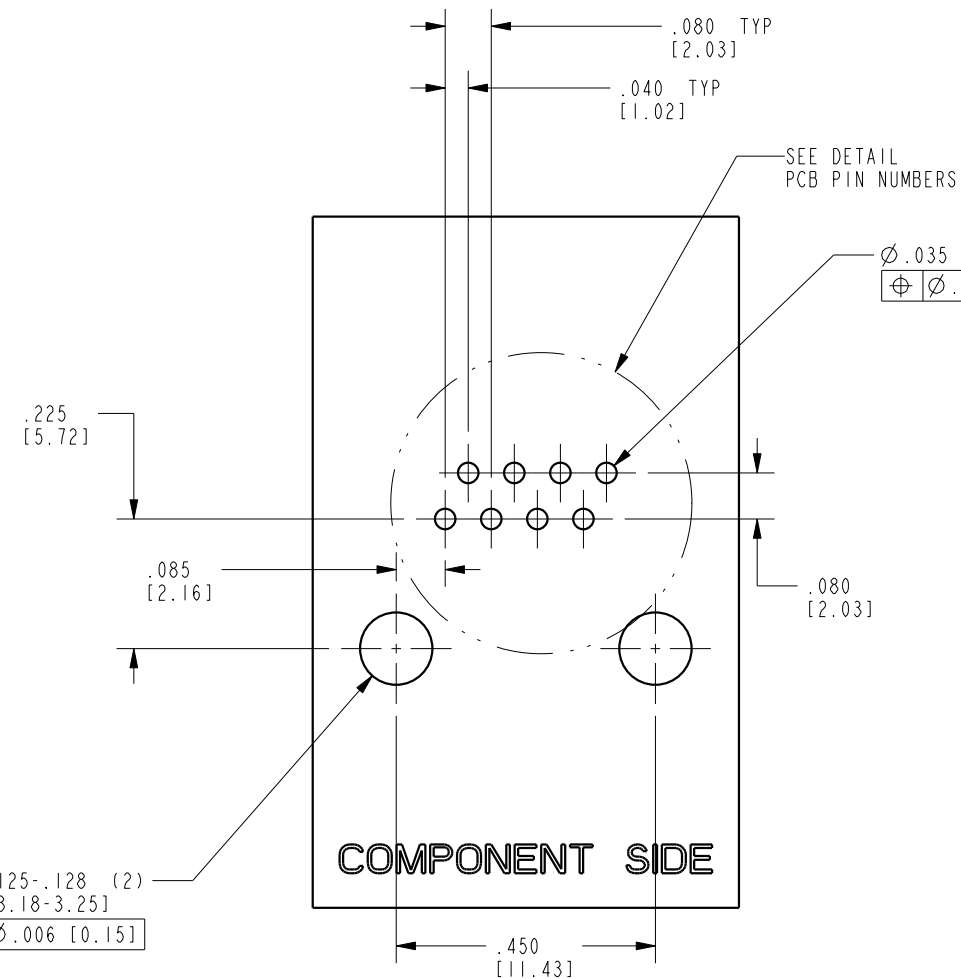
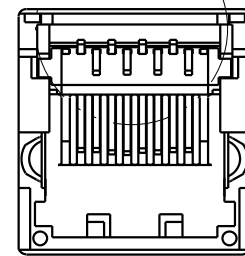


DATE	REV.	ECN	APP'D BY
9-26-07	D0	8241	TRM
5-30-12	D1	9481	SMN
6-19-12	D2	9515	TRM
2-17-15	D3	10260	ADB



SEE DETAIL JACK PIN NUMBERS



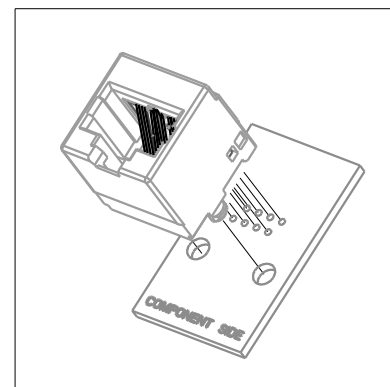
COMPONENT SIDE

PCB RECOMMENDED HOLE LAYOUT  
SEEN FROM COMPONENT SIDE

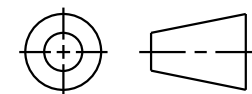
ALL CENTERLINE DIMENSIONS ARE BASIC

- NOTES:
- CONNECTOR MATERIALS:  
HOUSING: THERMOPLASTIC UL94 V-0  
CONTACTS: COPPER ALLOY  
CONTACT PLATING: SELECTIVE PLATING IN CONTACT AREA  
SEE CHART FOR DETAILS.
  - PRODUCT DESIGNED FOR CATEGORY 6 APPLICATIONS
  - DIMENSIONS AND TOLERANCES COMPLY WITH TIA-1096 STANDARD.
  - REFERENCE PRODUCT SPECIFICATION PRO26-01

50 MICRO-INCHES [1.27um] Au OR 5 MICRO-INCHES [0.13um] Au OVER 30 MICRO-INCHES [0.76um] PdNi	SS-60000-007
CONTACT PLATING IN MATING AREA	PART NUMBER



THIRD ANGLE PROJECTION



11118 Susquehanna Trail South  
Glen Rock, PA 17327-9199  
(717) 235-7512

<http://www.stewartconnector.com>

DO NOT SCALE DRAWING

DRAWING IS SUBJECT TO CHANGE WITHOUT NOTICE

DIMENSIONS: INCHES [METRIC]

UNLESS OTHERWISE SPECIFIED  
TOLERANCES ARE ±.005 [0.13]  
ANGLES ARE ±1°

SHEET NO.  
1 OF 1

TITLE: CATEGORY 6 UNSHIELDED VERTICAL JACK

THIS DRAWING AND THE SUBJECT MATTER SHOWN THEREON ARE CONFIDENTIAL AND THE PROPRIETARY PROPERTY OF STEWART CONNECTOR AND SHALL NOT BE REPRODUCED, COPIED, OR USED IN ANY MANNER WITHOUT PRIOR WRITTEN CONSENT OF STEWART CONNECTOR. THIS PRODUCT MAY BE PROTECTED BY ONE OR MORE OF THE FOLLOWING US PATENTS: 5791942 6217391 6368159 6419526 6602097 687722 6964587 7048590 7086909 7568950 7686650 OTHER PATENTS MAY BE PENDING.

DRN BY: JRC DATE 6-17-02

APPD BY: DHG DATE 6-17-02

DWG. NO. CT600007 REV. D3

## X-ON Electronics

Largest Supplier of Electrical and Electronic Components

*Click to view similar products for [Stewart Connector](#) / [Bel](#) manufacturer:*

Other Similar products are found below :

[2912508-01](#) [2980075-01](#) [2990009-01](#) [2912510-01](#) [0845-2D1T-H5](#) [SS71800-007F](#) [67PAC-030-K](#) [2940013-01](#) [2940016-01](#) [2940252-01](#)  
[2990001-01](#) [2940010-01](#) [2905002-01](#) [2905014-01](#) [940-SP-3088R-031](#) [CA81-020M-01](#) [2940014-01](#) [2990002-01](#) [2905009-01](#) [2980070-01](#)  
[2912512-01](#) [2905090-02](#) [SS-74500-029](#) [2906255-01](#) [2907501-01](#) [2980073-01](#) [2940231-01](#) [2906253-01](#) [2990003-01](#) [2990007-01](#) [2940211-](#)  
[01](#) [2940263-02](#) [BM-MAMM015F](#) [RJP50010AB-A](#) [SI-60128-F](#) [SS-30100-019](#) [SS-39200-027](#) [SS-6466S-A-PG4-BA](#) [BM-MARM015F](#)  
[67PAD-030-K](#) [CA82-010M-01](#) [RJP50010AA-A](#) [CA88-020M-01](#) [CA82-020M-01](#) [67PPD-030-K](#) [CA77-002M0-2](#) [SS-60400-028](#) [2980078-01](#)  
[SS-79100-011](#) [67PAD-020-K](#)