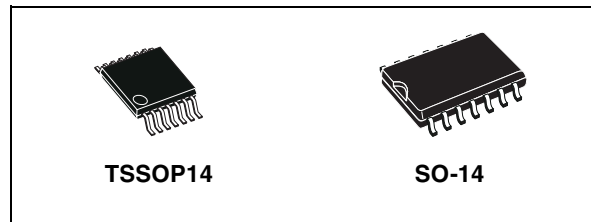


### Features

- High speed:  $t_{PD} = 5.5 \text{ ns (typ.)}$  at  $V_{CC} = 5 \text{ V}$
- Low power dissipation
  - $I_{CC} = 2 \mu\text{A (max.)}$  at  $T_A = 25 \text{ }^\circ\text{C}$
- Typical hysteresis:  $V_h = 1 \text{ V}$  at  $V_{CC} = 4.5 \text{ V}$
- Power-down protection on inputs
  - Symmetrical output impedance  
 $|I_{OH}| = I_{OL} = 8 \text{ mA (min.)}$
- Balanced propagation delay:  $t_{PLH} \cong t_{PHL}$
- Operating voltage range
  - $V_{CC} \text{ (opr.)} = 2 \text{ V to } 5.5 \text{ V}$
- Pin and function compatible with 74 series 14
- Improved latch-up immunity
- Low noise
  - $V_{OLP} = 0.8 \text{ V (max.)}$
- ESD performance
  - HBM: 2000 V
  - MM: 200 V
  - CDM: 1000 V

### Applications

- Automotive
- Industrial
- Computer
- Consumer



### Description

The 74VHC14 device is an advanced high-speed CMOS hex Schmitt inverter manufactured with sub-micron silicon gate and double-layer metal wiring C<sup>2</sup>MOS technology. The internal circuit is composed of 3 stages including a buffer output, which provides high noise immunity and stable output.

Power-down protection is provided on all inputs and 0 to 7 V can be accepted on inputs regardless of the supply voltage. This device can be used to interface from 5 V to 3 V.

Pin configuration and function are the same as those of the 74VHC04 device but the 74VHC14 device has hysteresis.

This along with its Schmitt trigger function allows the device to be used on line receivers with slow rise/fall input signals.

All inputs and outputs are equipped with protection circuits against static discharge, giving them 2 kV ESD immunity and transient excess voltage.

**Table 1. Device summary**

Order code	Temperature range	Package	Packaging	Marking
74VHC14TTR	-55/+125 °C	TSSOP14	Tape and reel	VHC14
74VHC14YTTR <sup>(1)</sup>	-40/+125 °C	TSSOP14 (automotive grade)	Tape and reel	VHC14Y
74VHC14MTR	-55/+125 °C	SO-14	Tape and reel	74VHC14
74VHC14YMTR <sup>(1)</sup>	-40/+125 °C	SO-14 (automotive grade)	Tape and reel	74VHC14Y

1. Qualification and characterization according to AEC Q100 and Q003 or equivalent, advanced screening according to AEC Q001 and Q002 or equivalent.

# Contents

<b>1</b>	<b>Logic symbols and I/O equivalent circuit</b> .....	<b>3</b>
<b>2</b>	<b>Pin settings</b> .....	<b>4</b>
2.1	Pin connections .....	4
2.2	Pin description .....	4
2.3	Truth table .....	4
<b>3</b>	<b>Maximum ratings</b> .....	<b>5</b>
	Recommended operating conditions .....	5
<b>4</b>	<b>Electrical characteristics</b> .....	<b>6</b>
<b>5</b>	<b>Test circuit</b> .....	<b>8</b>
<b>6</b>	<b>Waveform</b> .....	<b>9</b>
<b>7</b>	<b>Package information</b> .....	<b>10</b>
<b>8</b>	<b>Revision history</b> .....	<b>15</b>

# 1 Logic symbols and I/O equivalent circuit

Figure 1. IEC logic symbols

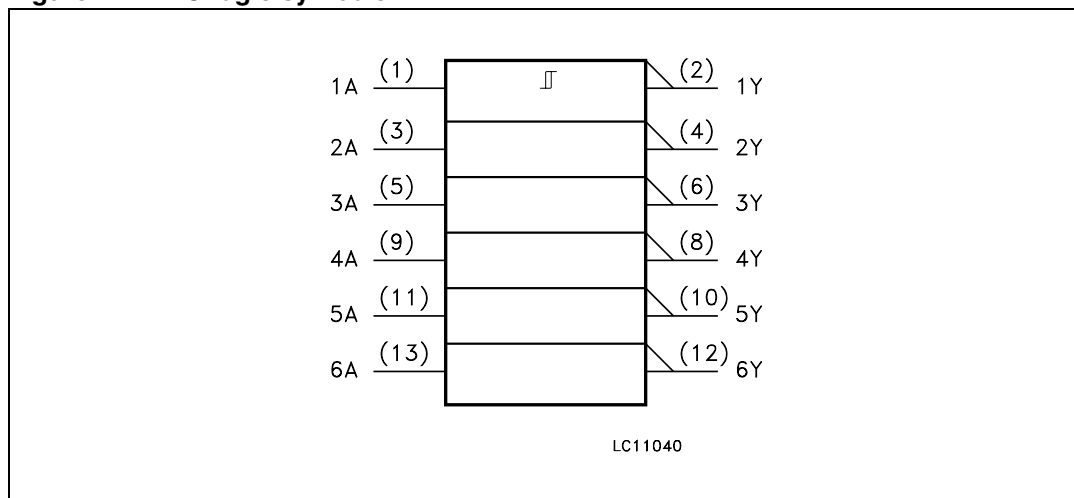
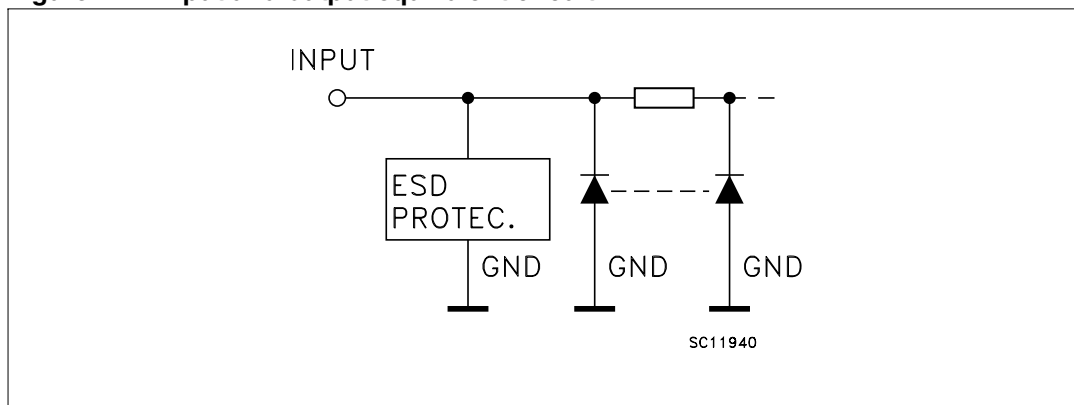


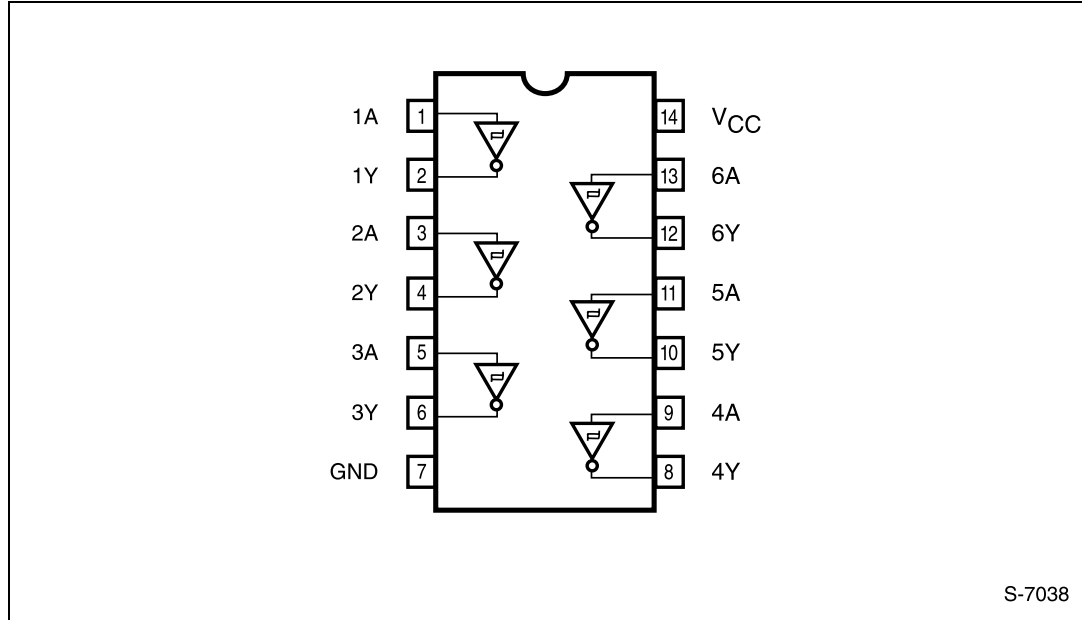
Figure 2. Input and output equivalent circuit



## 2 Pin settings

### 2.1 Pin connections

Figure 3. Pin connections (top through view)



### 2.2 Pin description

Table 2. Pin description

Pin number	Symbol	Name and function
1, 3, 5, 9, 11, 13	1A to 6A	Data inputs
2, 4, 6, 8, 10, 12	1Y to 6Y	Data outputs
7	GND	Ground (0 V)
14	V <sub>CC</sub>	Positive supply voltage

### 2.3 Truth table

Table 3. Truth table

Input	Output
A	Y
L	H
H	L

### 3 Maximum ratings

Stressing the device above the rating listed in [Table 4: Absolute maximum ratings](#) may cause permanent damage to the device. These are stress ratings only and operation of the device at these or any other conditions above those indicated in [Table 5: Recommended operating conditions](#) of this specification is not implied. Exposure to absolute maximum rating conditions for extended periods may affect device reliability.

**Table 4. Absolute maximum ratings**

Symbol	Parameter	Value	Unit
$V_{CC}$	Supply voltage	-0.5 to +7.0	V
$V_I$	DC input voltage	-0.5 to +7.0	V
$V_O$	DC output voltage	-0.5 to $V_{CC} + 0.5$	V
$I_{IK}$	DC input diode current	- 20	mA
$I_{OK}$	DC output diode current	$\pm 20$	mA
$I_O$	DC output current	$\pm 25$	mA
$I_{CC}$	DC supply current per supply pin	$\pm 50$	mA
$I_{GND}$	DC ground current per supply pin	$\pm 50$	mA
$T_{stg}$	Storage temperature	-65 to +150	°C
$T_L$	Lead temperature (10 sec.)	300	°C

### Recommended operating conditions

**Table 5. Recommended operating conditions**

Symbol	Parameter	Value	Unit	
$V_{CC}$	Supply voltage	2 to 5.5	V	
$V_I$	Input voltage	0 to 5.5	V	
$V_O$	Output voltage	0 to $V_{CC}$	V	
$T_{op}$	Operating temperature	TSSOP14, SO-14	-55 to +125	°C
		TSSOP14 (automotive grade)	-40 to +125	°C

## 4 Electrical characteristics

Table 6. DC specifications

Symbol	Parameter	Test condition		Value						Unit	
		V <sub>CC</sub> (V)		T <sub>A</sub> = 25 °C			-40 to 85 °C		-55 to 125 °C		
				Min.	Typ.	Max.	Min.	Max.	Min.		Max.
V <sub>t+</sub>	High level threshold voltage	3.0				2.2		2.2		2.2	V
		4.5				3.15		3.15		3.15	
		5.5				3.85		3.85		3.85	
V <sub>t-</sub>	Low level threshold voltage	3.0		0.9			0.9		0.9		V
		4.5		1.35			1.35		1.35		
		5.5		1.65			1.65		1.65		
V <sub>h</sub>	Hysteresis voltage	3.0		0.3		1.2	0.3	1.2	0.3	1.2	V
		4.5		0.4		1.4	0.4	1.4	0.4	1.4	
		5.5		0.5		1.6	0.5	1.6	0.5	1.6	
V <sub>OH</sub>	High level output voltage	2.0	I <sub>O</sub> = -50 μA	1.9	2.0		1.9		1.9		V
		3.0	I <sub>O</sub> = -50 μA	2.9	3.0		2.9		2.9		
		4.5	I <sub>O</sub> = -50 μA	4.4	4.5		4.4		4.4		
		3.0	I <sub>O</sub> = -4 mA	2.58			2.48		2.4		
		4.5	I <sub>O</sub> = -8 mA	3.94			3.8		3.7		
V <sub>OL</sub>	Low level output voltage	2.0	I <sub>O</sub> = 50 μA		0.0	0.1		0.1		0.1	V
		3.0	I <sub>O</sub> = 50 μA		0.0	0.1		0.1		0.1	
		4.5	I <sub>O</sub> = 50 μA		0.0	0.1		0.1		0.1	
		3.0	I <sub>O</sub> = 4 mA			0.36		0.44		0.55	
		4.5	I <sub>O</sub> = 8 mA			0.36		0.44		0.55	
I <sub>I</sub>	Input leakage current	0 to 5.5	V <sub>I</sub> = 5.5 V or GND			±0.1		±1		±1	μA
I <sub>CC</sub>	Quiescent supply current	5.5	V <sub>I</sub> = V <sub>CC</sub> or GND			2		20		20	μA

**Table 7. AC electrical characteristics (input  $t_r = t_f = 3$  ns)**

Symbol	Parameter	Test condition			Value						Unit	
		$V_{CC}$ (V)	$C_L$ (pF)		$T_A = 25\text{ °C}$			$-40\text{ to }85\text{ °C}$		$-55\text{ to }125\text{ °C}$		
					Min.	Typ.	Max.	Min.	Max.	Min.		Max.
$t_{PLH}$ $t_{PHL}$	Propagation delay time	3.3 <sup>(1)</sup>	15			8.3	12.8	1.0	15.0	1.0	15.0	ns
		3.3 <sup>(1)</sup>	50			10.8	16.3	1.0	18.5	1.0	18.5	
		5.0 <sup>(2)</sup>	15			5.5	8.6	1.0	10.0	1.0	10.0	
		5.0 <sup>(2)</sup>	50			7.0	10.6	1.0	12.0	1.0	12.0	

1. Voltage range is  $3.3\text{ V} \pm 0.3\text{ V}$ .
2. Voltage range is  $5.0\text{ V} \pm 0.5\text{ V}$ .

**Table 8. Capacitive characteristics**

Symbol	Parameter	Test condition			Value						Unit	
					$T_A = 25\text{ °C}$			$-40\text{ to }85\text{ °C}$		$-55\text{ to }125\text{ °C}$		
					Min.	Typ.	Max.	Min.	Max.	Min.		Max.
$C_{IN}$	Input capacitance					6	10		10		10	pF
$C_{PD}$	Power dissipation capacitance <sup>(1)</sup>					14						pF

1.  $C_{PD}$  is defined as the value of the IC's internal equivalent capacitance which is calculated from the operating current consumption without load. (Refer to [Section 5: Test circuit](#)). Average operating current can be obtained by the following equation.  $I_{CC(opr)} = C_{PD} \times V_{CC} \times f_{IN} + I_{CC}/6$  (per gate).

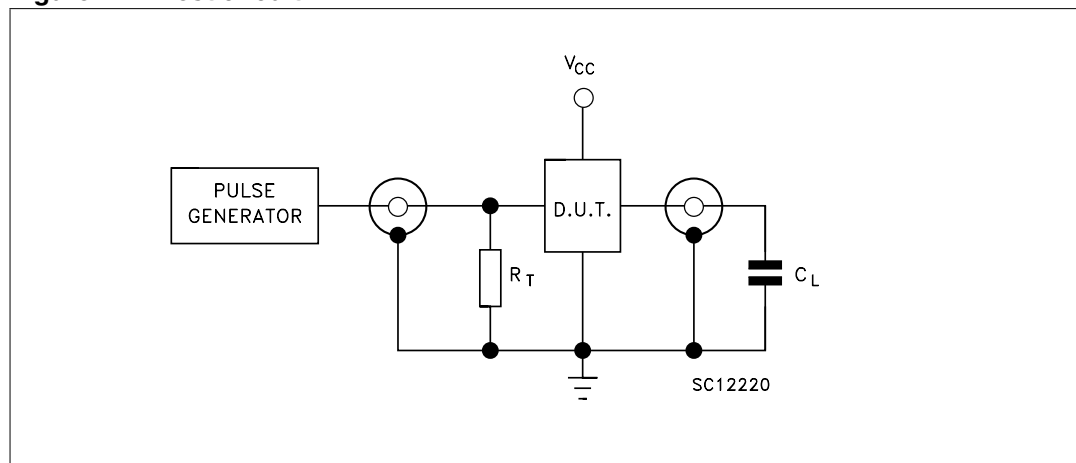
**Table 9. Dynamic switching characteristics**

Symbol	Parameter	Test condition		Value						Unit	
		$V_{CC}$ (V)		$T_A = 25\text{ °C}$			$-40\text{ to }85\text{ °C}$		$-55\text{ to }125\text{ °C}$		
				Min.	Typ.	Max.	Min.	Max.	Min.		Max.
$V_{OLP}$	Dynamic low voltage quiet output <sup>(1), (2)</sup>	5.0	$C_L = 50\text{ pF}$		0.3	0.8					V
$V_{OLV}$				-0.8	-0.3						
$V_{IHD}$	Dynamic high voltage input <sup>(1), (3)</sup>	5.0		3.5						V	
$V_{ILD}$	Dynamic low voltage input <sup>(1), (3)</sup>	5.0				1.5				V	

1. Worst case package.
2. Max number of outputs defined as (n). Data inputs are driven 0 V to 5.0 V, (n-1) outputs switching and one output at GND.
3. Max number of data inputs (n) switching. (n-1) switching 0 V to 5.0 V. Inputs under test switching: 5.0 V to threshold ( $V_{ILD}$ ), 0 V to threshold ( $V_{IHD}$ ),  $f = 1\text{ MHz}$ .

## 5 Test circuit

Figure 4. Test circuit

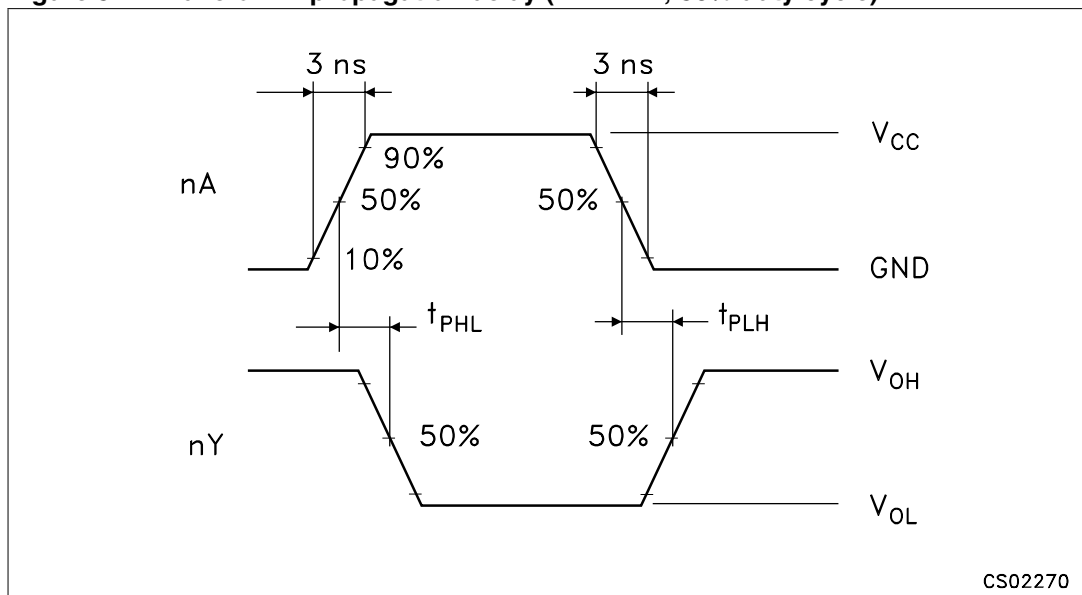


Note:  $C_L = 15/50$  pF or equivalent (includes jig and probe capacitance)  
 $R_T = Z_{OUT}$  of pulse generator (typically  $50 \Omega$ ).



## 6 Waveform

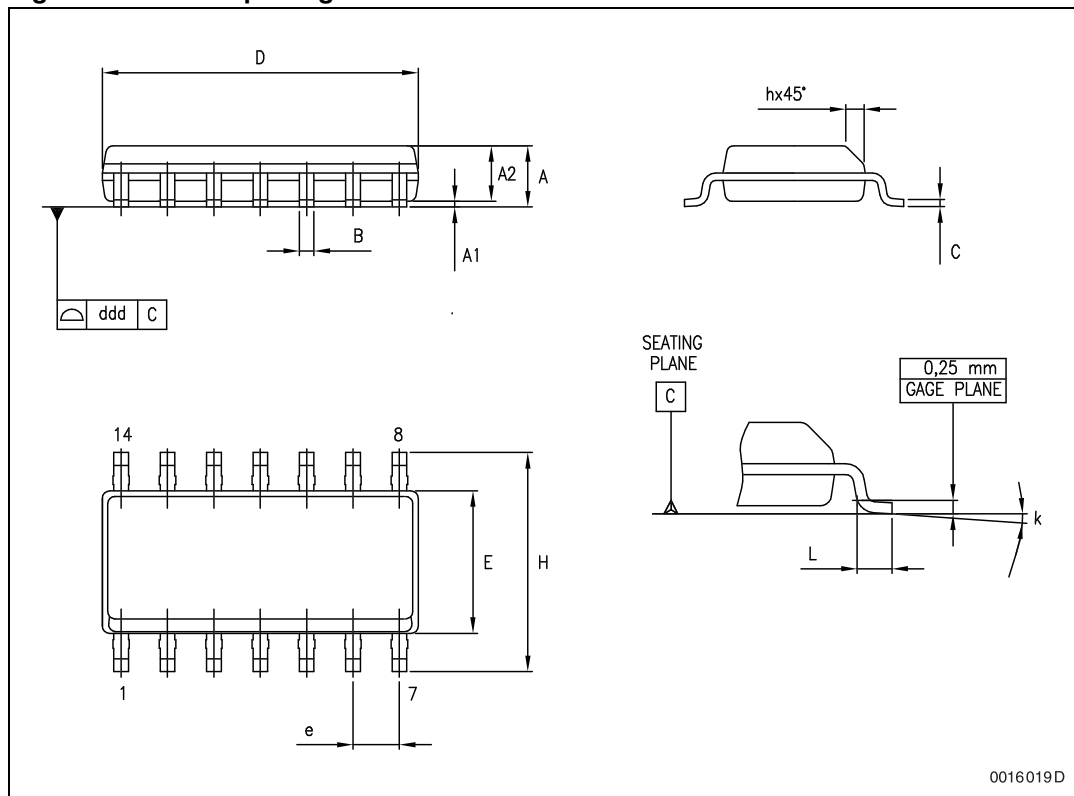
Figure 5. Waveform - propagation delay ( $f = 1\text{MHz}$ ; 50% duty cycle)



## 7 Package information

In order to meet environmental requirements, ST offers these devices in different grades of ECOPACK® packages, depending on their level of environmental compliance. ECOPACK specifications, grade definitions and product status are available at: [www.st.com](http://www.st.com). ECOPACK is an ST trademark.

Figure 6. SO-14 package outline



0016019D

Table 10. SO-14 package mechanical data

Symbol	Dimensions					
	mm			inch		
	Min.	Typ.	Max.	Min.	Typ.	Max.
A	1.35		1.75	0.053		0.069
A1	0.1		0.25	0.004		0.010
A2	1.10		1.65	0.043		0.065
B	0.33		0.51	0.013		0.020
C	0.19		0.25	0.007		0.010
D	8.55		8.75	0.337		0.344
E	3.8		4.0	0.150		0.157
e		1.27			0.050	
H	5.8		6.2	0.228		0.244
h	0.25		0.50	0.010		0.020
L	0.4		1.27	0.016		0.050
k	0°		8°	0°		8°
ddd			0.100			0.004

Figure 7. TSSOP14 package outline

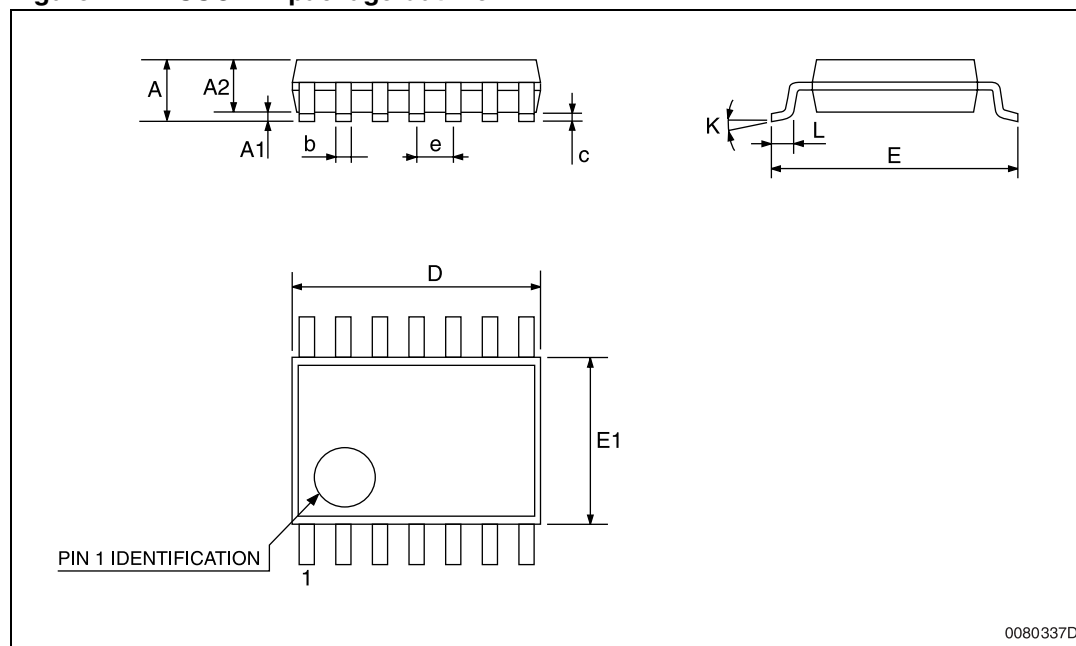
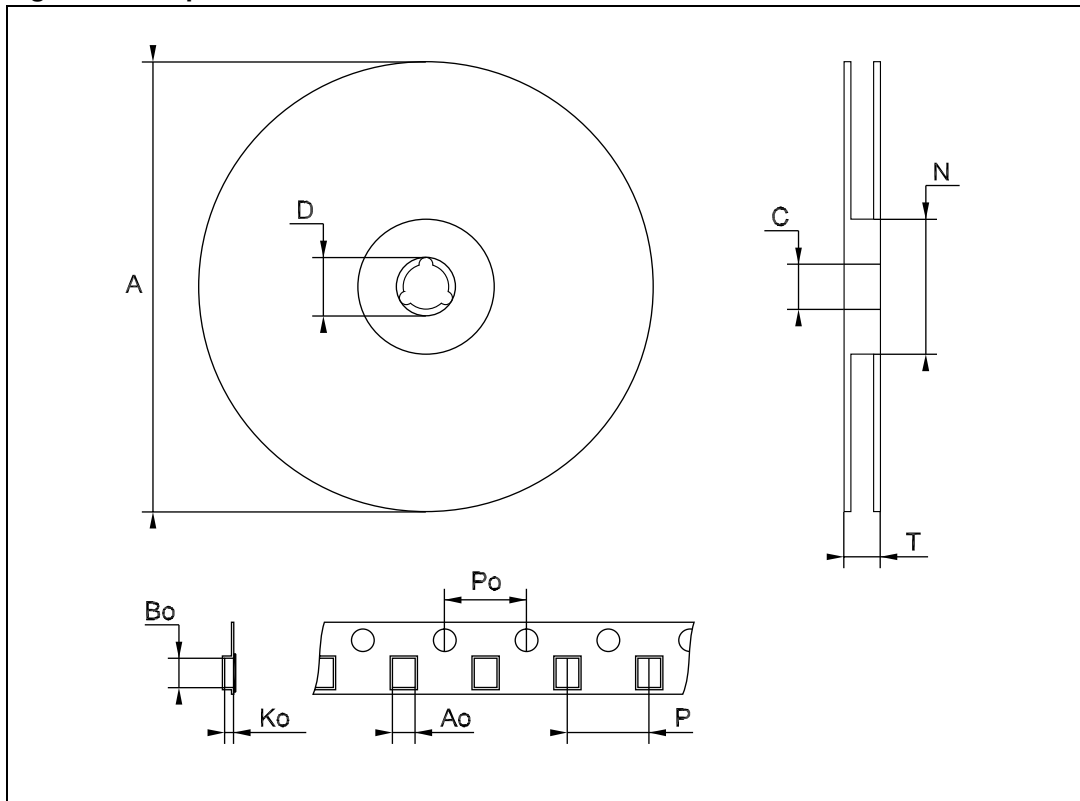


Table 11. TSSOP14 package mechanical data

Symbol	Dimensions					
	mm			inch		
	Min.	Typ.	Max.	Min.	Typ.	Max.
A			1.2			0.047
A1	0.05		0.15	0.002	0.004	0.006
A2	0.8	1	1.05	0.031	0.039	0.041
b	0.19		0.30	0.007		0.012
c	0.09		0.20	0.004		0.0089
D	4.9	5	5.1	0.193	0.197	0.201
E	6.2	6.4	6.6	0.244	0.252	0.260
E1	4.3	4.4	4.48	0.169	0.173	0.176
e		0.65 BSC			0.0256 BSC	
K	0°		8°	0°		8°
L	0.45	0.60	0.75	0.018	0.024	0.030

Figure 8. Tape and reel SO-14 outline

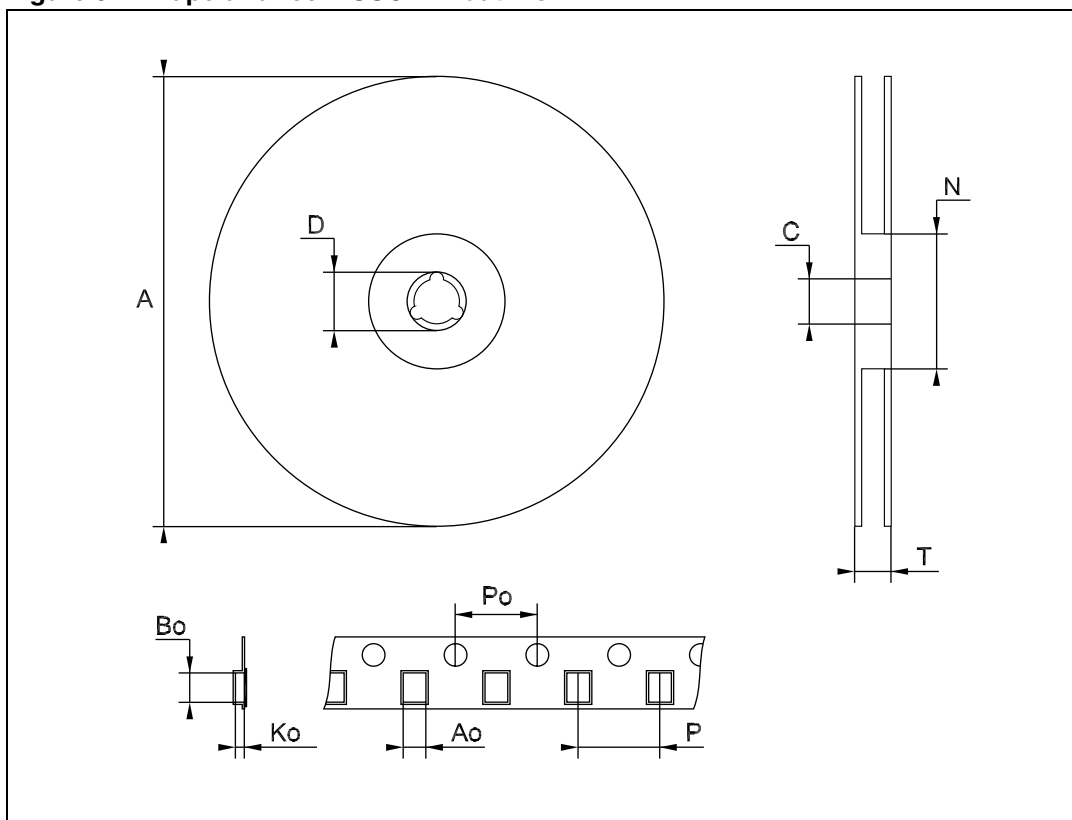


1. Drawing is not in scale.

Table 12. Tape and reel SO-14 mechanical data

Symbol	Dimensions					
	mm			inch		
	Min.	Typ.	Max.	Min.	Typ.	Max.
A			330			12.992
C	12.8		13.2	0.504		0.519
D	20.2			0.795		
N	60			2.362		
T			22.4			0.882
Ao	6.4		6.6	0.252		0.260
Bo	9		9.2	0.354		0.362
Ko	2.1		2.3	0.082		0.090
Po	3.9		4.1	0.153		0.161
P	7.9		8.1	0.311		0.319

Figure 9. Tape and reel TSSOP14 outline



1. Drawing is not in scale.

Table 13. Tape and reel TSSOP14 mechanical data

Symbol	Dimensions					
	mm			inch		
	Min.	Typ.	Max.	Min.	Typ.	Max.
A			330			12.992
C	12.8		13.2	0.504		0.519
D	20.2			0.795		
N	60			2.362		
T			22.4			0.882
Ao	6.7		6.9	0.264		0.272
Bo	5.3		5.5	0.209		0.217
Ko	1.6		1.8	0.063		0.071
Po	3.9		4.1	0.153		0.161
P	7.9		8.1	0.311		0.319

## 8 Revision history

**Table 14. Document revision history**

Date	Revision	Changes
12-Nov-2004	6	Ordering codes revision - pag. 1
02-May-2007	7	Document reformatted, updated <a href="#">Table 6 on page 6</a>
15-Jun-2012	8	Added <a href="#">Applications on page 1</a> Updated <a href="#">Table 1: Device summary on page 1</a> Updated $T_{op}$ in <a href="#">Table 5: Recommended operating conditions</a> Updated ECOPACK <sup>®</sup> text in <a href="#">Section 7: Package information</a> Minor textual updates
03-Oct-2012	9	Added ESD performance into <a href="#">Features</a> . Added 74VHC14YMTR device and “Marking” to <a href="#">Table 1</a> , updated note <a href="#">1</a> below <a href="#">Table 1</a> . Updated <a href="#">Section 3: Maximum ratings</a> (added cross-references) Reformatted <a href="#">Section 7: Package information</a> . Minor corrections throughout document.

**Please Read Carefully:**

Information in this document is provided solely in connection with ST products. STMicroelectronics NV and its subsidiaries ("ST") reserve the right to make changes, corrections, modifications or improvements, to this document, and the products and services described herein at any time, without notice.

All ST products are sold pursuant to ST's terms and conditions of sale.

Purchasers are solely responsible for the choice, selection and use of the ST products and services described herein, and ST assumes no liability whatsoever relating to the choice, selection or use of the ST products and services described herein.

No license, express or implied, by estoppel or otherwise, to any intellectual property rights is granted under this document. If any part of this document refers to any third party products or services it shall not be deemed a license grant by ST for the use of such third party products or services, or any intellectual property contained therein or considered as a warranty covering the use in any manner whatsoever of such third party products or services or any intellectual property contained therein.

**UNLESS OTHERWISE SET FORTH IN ST'S TERMS AND CONDITIONS OF SALE ST DISCLAIMS ANY EXPRESS OR IMPLIED WARRANTY WITH RESPECT TO THE USE AND/OR SALE OF ST PRODUCTS INCLUDING WITHOUT LIMITATION IMPLIED WARRANTIES OF MERCHANTABILITY, FITNESS FOR A PARTICULAR PURPOSE (AND THEIR EQUIVALENTS UNDER THE LAWS OF ANY JURISDICTION), OR INFRINGEMENT OF ANY PATENT, COPYRIGHT OR OTHER INTELLECTUAL PROPERTY RIGHT.**

**UNLESS EXPRESSLY APPROVED IN WRITING BY TWO AUTHORIZED ST REPRESENTATIVES, ST PRODUCTS ARE NOT RECOMMENDED, AUTHORIZED OR WARRANTED FOR USE IN MILITARY, AIR CRAFT, SPACE, LIFE SAVING, OR LIFE SUSTAINING APPLICATIONS, NOR IN PRODUCTS OR SYSTEMS WHERE FAILURE OR MALFUNCTION MAY RESULT IN PERSONAL INJURY, DEATH, OR SEVERE PROPERTY OR ENVIRONMENTAL DAMAGE. ST PRODUCTS WHICH ARE NOT SPECIFIED AS "AUTOMOTIVE GRADE" MAY ONLY BE USED IN AUTOMOTIVE APPLICATIONS AT USER'S OWN RISK.**

Resale of ST products with provisions different from the statements and/or technical features set forth in this document shall immediately void any warranty granted by ST for the ST product or service described herein and shall not create or extend in any manner whatsoever, any liability of ST.

ST and the ST logo are trademarks or registered trademarks of ST in various countries.

Information in this document supersedes and replaces all information previously supplied.

The ST logo is a registered trademark of STMicroelectronics. All other names are the property of their respective owners.

© 2012 STMicroelectronics - All rights reserved

STMicroelectronics group of companies

Australia - Belgium - Brazil - Canada - China - Czech Republic - Finland - France - Germany - Hong Kong - India - Israel - Italy - Japan - Malaysia - Malta - Morocco - Philippines - Singapore - Spain - Sweden - Switzerland - United Kingdom - United States of America

[www.st.com](http://www.st.com)



## X-ON Electronics

Largest Supplier of Electrical and Electronic Components

*Click to view similar products for [Inverters](#) category:*

*Click to view products by [STMicroelectronics](#) manufacturer:*

Other Similar products are found below :

[5962-8550101CA](#) [E5-652Z](#) [NL17SGU04P5T5G](#) [NLX2G04BMX1TCG](#) [412327H](#) [022413E](#) [NL17SG14AMUTCG](#) [NLU2G04AMUTCG](#)  
[NLU2GU04BMX1TCG](#) [NLV14049UBDR2G](#) [NLV14069UBDTR2G](#) [NLV17SZ14DFT2G](#) [74LVC2G17FW4-7](#) [NLU2G04CMX1TCG](#)  
[NLV17SZ06DFT2G](#) [NLV27WZ04DFT2G](#) [NLV74HCT14ADTR2G](#) [NLX2G14CMUTCG](#) [NCV1729SN35T1G](#) [TC74VHC04FK\(EL,K\)](#)  
[NLV74HC04ADTR2G](#) [NLV17SZ04DFT2G](#) [NLU1G04AMUTCG](#) [NLX2G04CMUTCG](#) [NLX2G04AMUTCG](#) [NLV74ACT00DR2G](#)  
[NLV74AC14DR2G](#) [NLV27WZ04DFT1G](#) [NLV14106BDG](#) [NLU1GU04CMUTCG](#) [NLU1GT14AMUTCG](#) [NLU1G04CMUTCG](#)  
[NL17SZU04P5T5G](#) [NL17SG14DFT2G](#) [74LVC06ADTR2G](#) [74LVC04ADR2G](#) [TC7SZ04AFS,L3J](#) [DC1-S24D3FN-A20CE1](#)  
[NLU1GT04AMUTCG](#) [NLV37WZ04USG](#) [NLX3G14FMUTCG](#) [NL17SZ04P5T5G](#) [NLV27WZU04DFT2G](#) [LV0008G100-4EOFN](#)  
[NXV08V080DB1](#) [74AHC1G04QSE-7](#) [74AHC1G14QSE-7](#) [74AHCT1G14QW5-7](#) [74AHCT1G04QW5-7](#) [74AHCT1G04QSE-7](#)