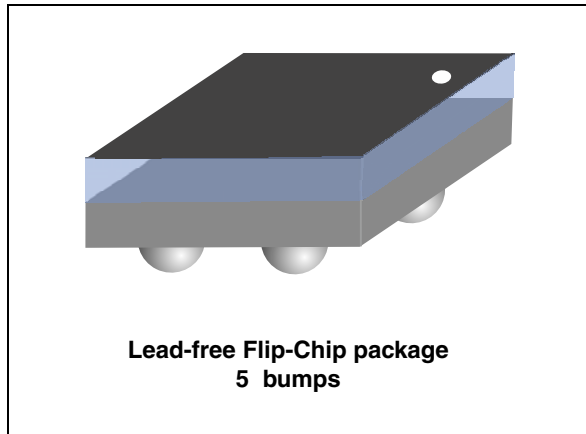


50 Ω nominal input / conjugate match balun to CW1250/CW1260/CW1150/CW1160, with integrated harmonic filter



Datasheet – production data

Features

- 50 Ω nominal input / match ST-Ericsson RF IC CW1250, CW1150, CW1260, CW1160
- Low insertion loss
- Low amplitude imbalance
- Low phase imbalance
- DC blocking access on single RF input
- Small footprint: < 1.2 mm²

Benefits

- Extremely low profile (< 550 μ m after reflow)
- Integrate matching network
- High RF performance
- RF components count and area reduction

Applications

- Balun with integrated matching for ST-Ericsson RF IC CW1250, C1150, CW1260

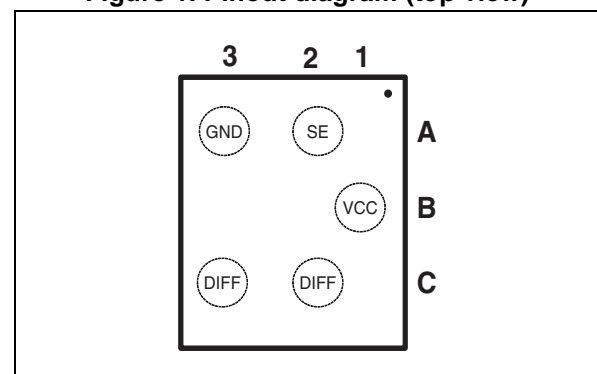
Description

STMicroelectronics BAL-CW1250D3 is a balun (balanced/unbalanced device) designed to transform a single ended signal to differential signals in WLAN application.

This BAL-CW1250D3, with low insertion losses in the bandwidth 2400 MHz to 2500 MHz, has been customized for CW1250, CW1150, CW1260, CW1160 transceiver. The differential output embeds an integrated matching network adapted to the transceiver.

The BAL-CW1250D3 has been designed using STMicroelectronics IPD (integrated passive device) technology on non-conductive glass substrate to optimize RF performance.

Figure 1. Pinout diagram (top view)



1 Characteristics

Table 1. Absolute maximum ratings (limiting values)

Symbol	Parameter	Value			Unit
		Min	Typ	Max	
P_{IN}	Average power RF_{IN}			24	dBm
V_{ESD}	ESD ratings MIL STD883C (HBM: C = 100 pF, R = 1.5 k Ω , air discharge)	2000			V
	ESD ratings charged device model (JESD22-C101-D)	500			
	ESD ratings machine model (MM: C = 200 pF, R = 25 Ω , L = 500 nH)	200			
T_{OP}	Operating temperature	-30 to +85			$^{\circ}C$

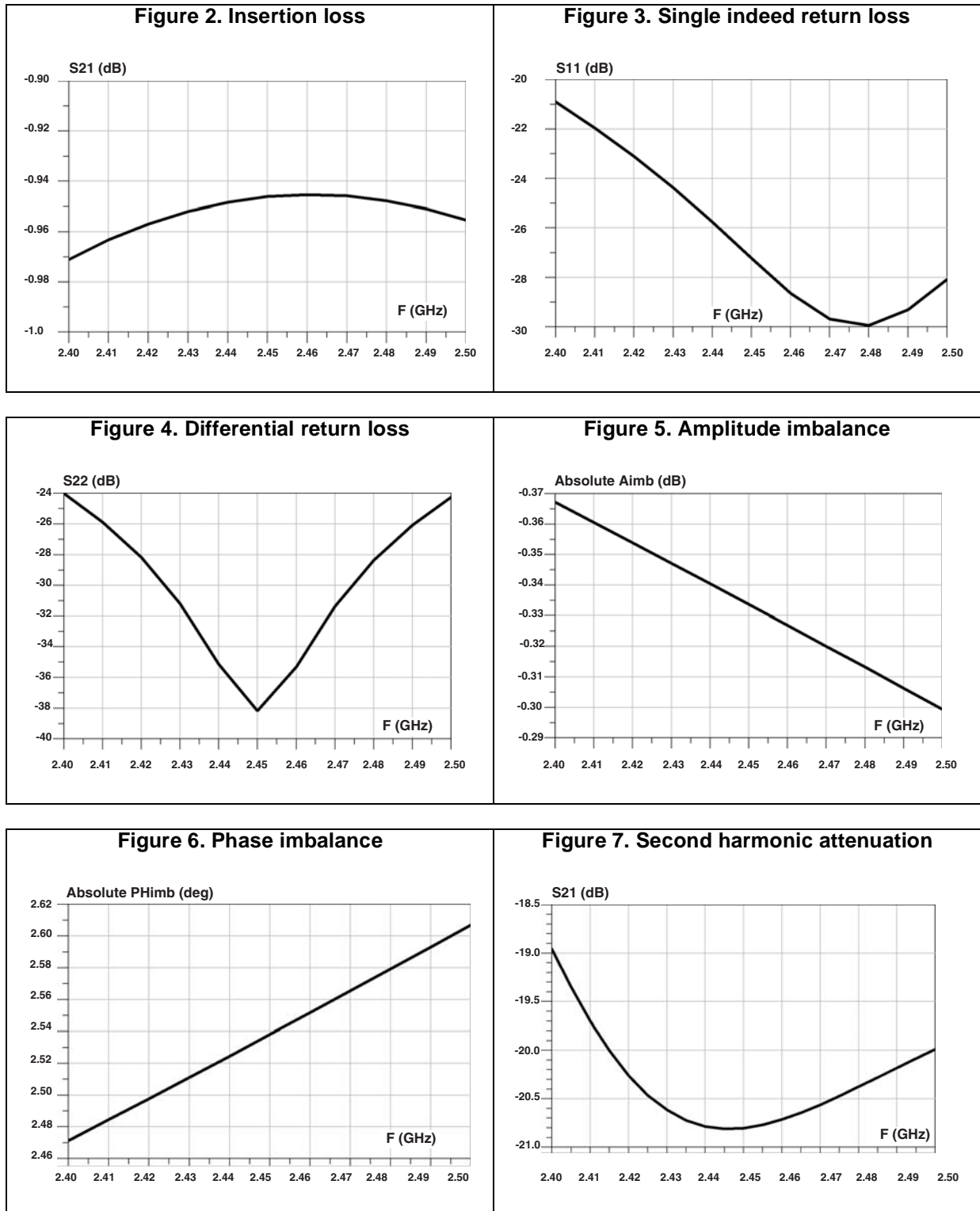
Table 2. Impedances ($T_{amb} = 25^{\circ}C$)

Symbol	Parameter	Value			Unit
		Min	Typ	Max	
Z_{OUT}	Nominal differential output impedance		matched		Ω
Z_{IN}	Nominal input impedance		50		Ω

Table 3. RF performance ($T_{amb} = 25^{\circ}C$)

Symbol	Parameter	Value			Unit
		Min	Typ	Max	
F	Frequency range (bandwidth)	2400		2500	MHz
IL	Insertion loss in bandwidth		0.97		dB
RL_{SE}	Single ended return loss in bandwidth		-21		dB
RL_{DIFF}	Differential return loss in bandwidth		-24		dB
ϕ_{imb}	Phase imbalance	-10		10	$^{\circ}$
Aimb	Amplitude imbalance	-1	0.1	1	dB
Att_{2f_0}	2nd harmonic attenuation		-19		dB

1.1 Measurements



2 Package information

- Epoxy meets UL94, V0
- Lead-free package

In order to meet environmental requirements, ST offers these devices in different grades of ECOPACK® packages, depending on their level of environmental compliance. ECOPACK® specifications, grade definitions and product status are available at: www.st.com. ECOPACK® is an ST trademark.

2.1 Flip-Chip package information

Figure 8. Flip-Chip package outline

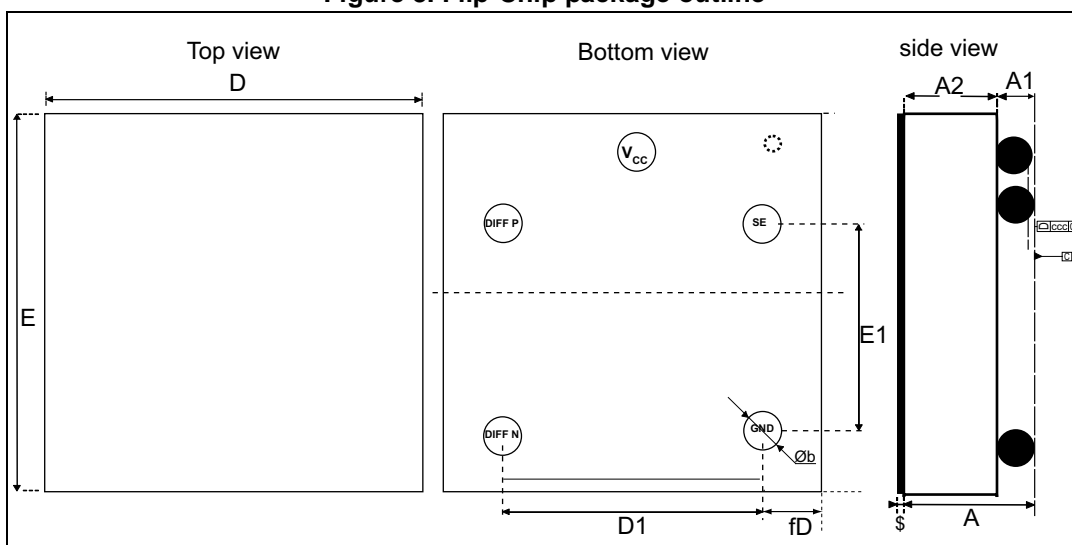


Table 4. Flip-Chip package mechanical data

Parameter	Description	Min.	Typ.	Max.	Unit
A	Bump height + substrate thickness	0.570	0.630	0.690	mm
A1	Bump height	0.155	0.205	0.255	mm
A2	Substrate thickness		0.400		mm
b	Bump diameter	0.215	0.255	0.295	mm
D	Y dimension of the die	1.150	1.200	1.250	mm
D1	Y pitch		0.760		mm
E	X dimension of the die	0.940	0.990	1.040	mm
E1	X pitch		0.400		mm
fD	Distance from bump to edge of die on Y axis		0.105		mm
ccc				0.05	mm
\$			0.025		mm

Figure 9. Footprint

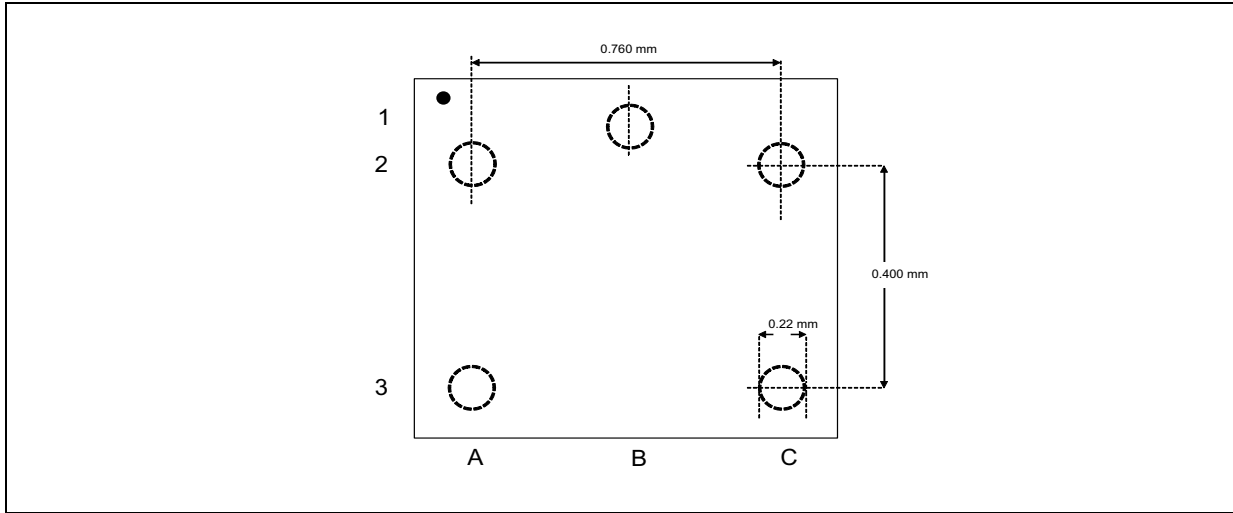


Figure 10. Footprint - 3 mils stencil - non solder mask defined

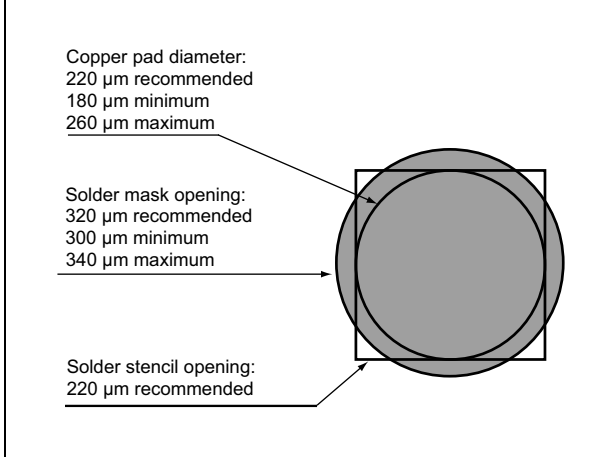


Figure 11. Footprint - 3 mils stencil - solder mask defined

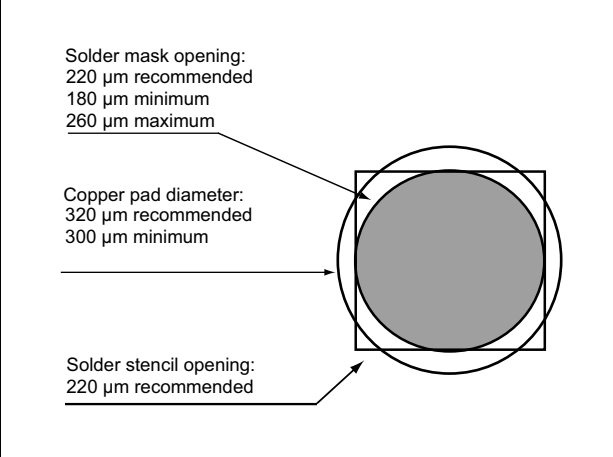


Figure 12. Footprint - 5 mils stencil - non solder mask defined

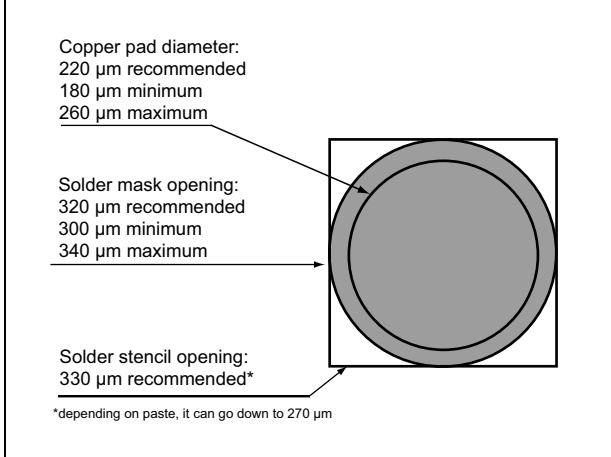


Figure 13. Footprint - 5 mils stencil - solder mask defined

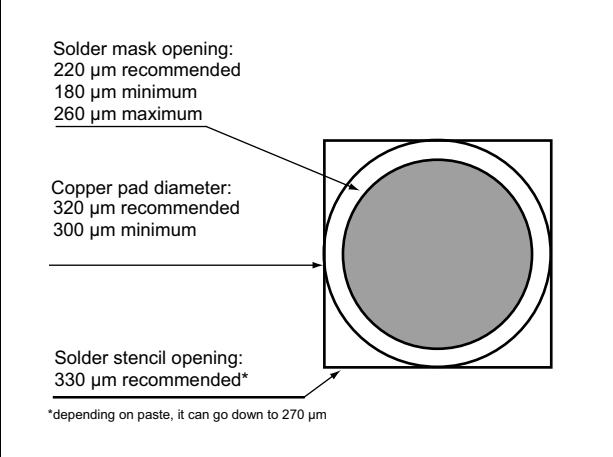


Figure 14. Recommended land pattern (used for balun characterization)

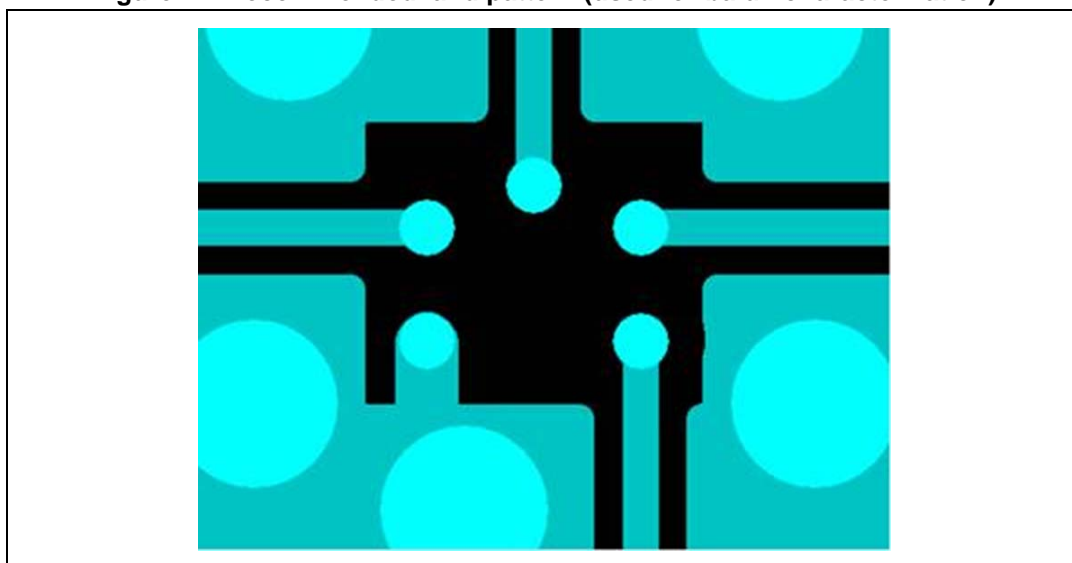


Figure 15. Marking

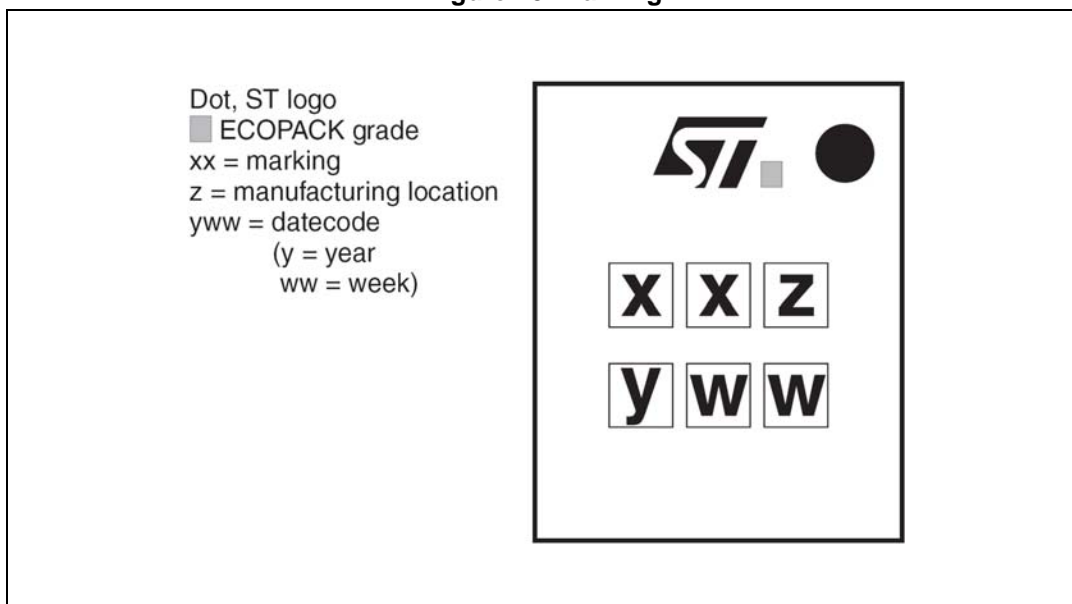
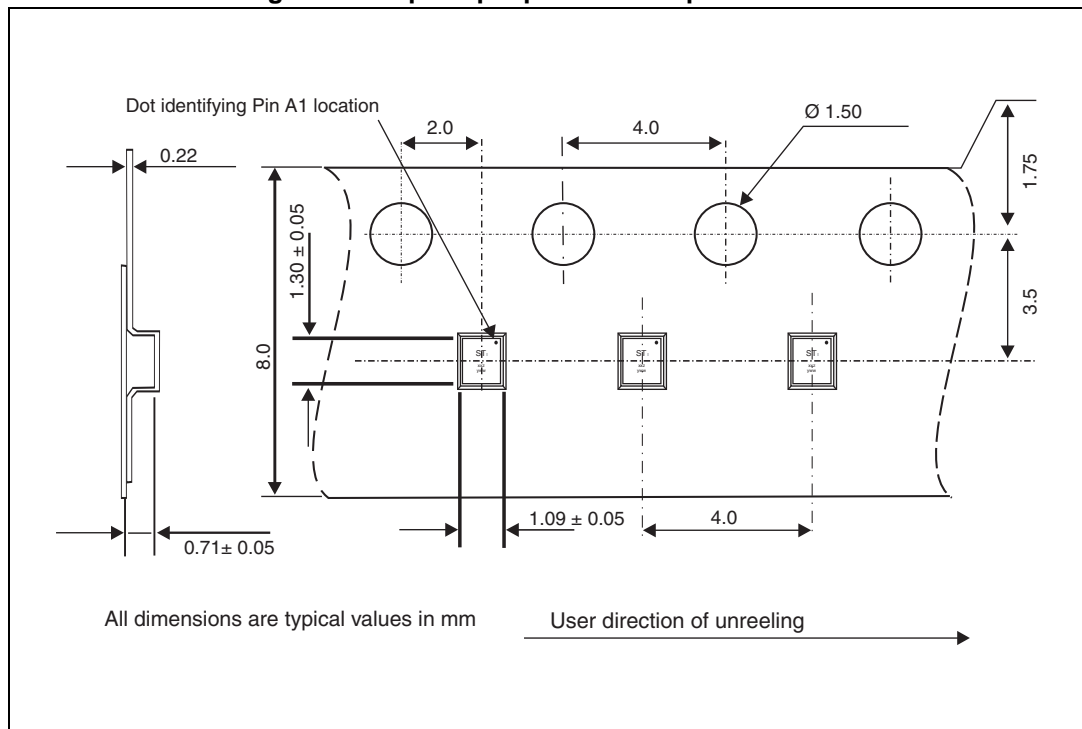


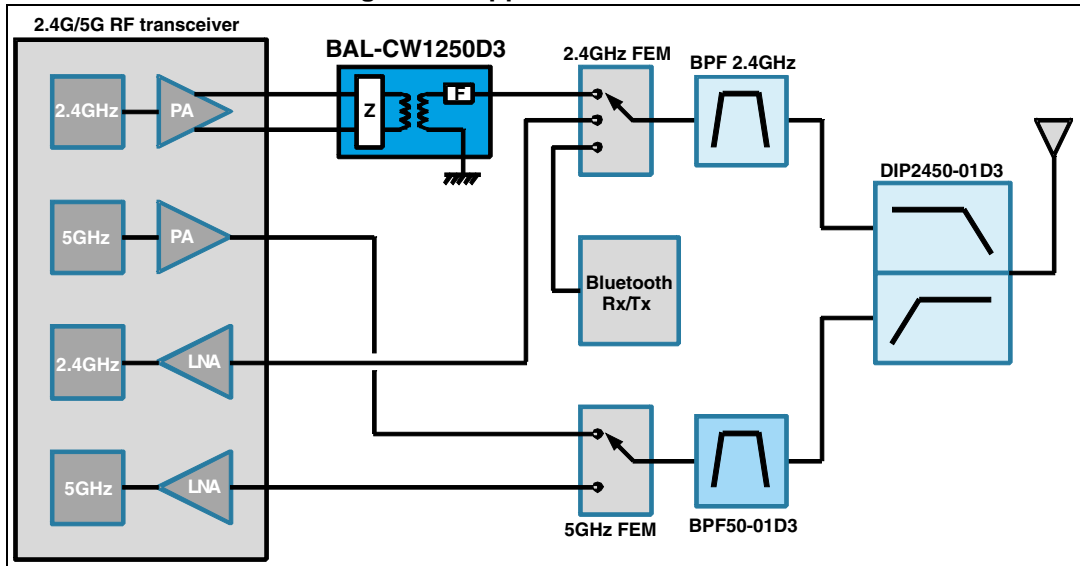
Figure 16. Flip-Chip tape and reel specifications



Note: More information is available in the STMicroelectronics Application note: AN2348 Flip-Chip: "Package description and recommendations for use"

3 Application information

Figure 17. Application schematic



Note: More information is available in the application notes:
 AN2348 Flip-Chip package description and recommendations for use

4 Ordering information

Table 5. Ordering information

Part Number	Marking	Package	Weight	Base Qty	Delivery Mode
BAL-CW1250D3	SG	Flip-Chip	1.46 mg	5000	Tape and reel(7")

5 Revision history

Table 6. Document revision history

Date	Revision	Changes
23-May-2013	1	Initial release.
23-Sep-2015	2	Updated Figure 8 . Added Figure 10 , Figure 11 , Figure 12 , Figure 13 and Table 4 . Reformatted to current standards.

IMPORTANT NOTICE – PLEASE READ CAREFULLY

STMicroelectronics NV and its subsidiaries (“ST”) reserve the right to make changes, corrections, enhancements, modifications, and improvements to ST products and/or to this document at any time without notice. Purchasers should obtain the latest relevant information on ST products before placing orders. ST products are sold pursuant to ST’s terms and conditions of sale in place at the time of order acknowledgement.

Purchasers are solely responsible for the choice, selection, and use of ST products and ST assumes no liability for application assistance or the design of Purchasers’ products.

No license, express or implied, to any intellectual property right is granted by ST herein.

Resale of ST products with provisions different from the information set forth herein shall void any warranty granted by ST for such product.

ST and the ST logo are trademarks of ST. All other product or service names are the property of their respective owners.

Information in this document supersedes and replaces information previously supplied in any prior versions of this document.

© 2015 STMicroelectronics – All rights reserved

X-ON Electronics

Largest Supplier of Electrical and Electronic Components

Click to view similar products for [Signal Conditioning](#) category:

Click to view products by [STMicroelectronics](#) manufacturer:

Other Similar products are found below :

[MAPDCC0001](#) [MAPDCC0004](#) [PD0409J5050S2HF](#) [880157](#) [HHS-109-PIN](#) [DC1417J5005AHF](#) [AFS14A30-2185.00-T3](#) [AFS14A35-1591.50-T3](#) [DS-323-PIN](#) [B39321R801H210](#) [1A0220-3](#) [JP510S](#) [LFB212G45SG8C341](#) [LFB322G45SN1A504](#) [LFL182G45TC3B746](#) [SF2159E](#) [30057](#) [FM-104-PIN](#) [CER0813B](#) [MAPDCC0005](#) [3A325](#) [40287](#) [41180](#) [ATB3225-75032NCT](#) [BD0810N50100AHF](#) [BD2425J50200AHF](#) [C5060J5003AHF](#) [JHS-115-PIN](#) [JP503AS](#) [DC0710J5005AHF](#) [DC2327J5005AHF](#) [DC3338J5005AHF](#) [43020](#) [LFB2H2G60BB1C106](#) [LFL15869MTC1B787](#) [X3C19F1-20S](#) [XC3500P-20S](#) [10013-20](#) [SF2194E](#) [CDBLB455KCAX39-B0](#) [TGL2208-SM, EVAL](#) [RF1353C](#) [1E1305-3](#) [1F1304-3S](#) [1G1304-30](#) [B0922J7575AHF](#) [2020-6622-20](#) [10017-3](#) [TP-103-PIN](#) [BD1222J50200AHF](#)