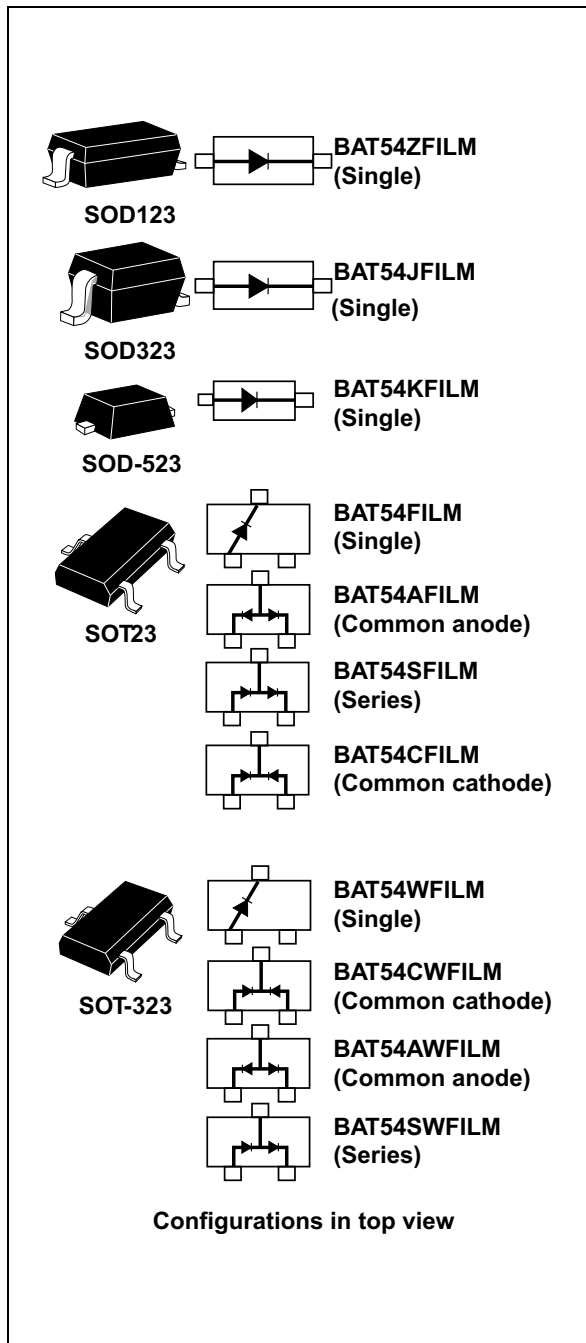


Small signal Schottky diodes

Datasheet – production data



Features

- Low conduction and reverse losses
- Negligible switching losses
- Low forward and reverse recovery times
- Extremely fast switching
- Surface mount device
- Low capacitance diode
- ECOPACK[®]2 compliant component

Description

The BAT54 series uses 40 V Schottky barrier diodes packaged in SO123, SOD323, SOD523, SOT-23, or SOT-323.

Table 1. Device summary

| Symbol | Value |
|-------------|--------|
| I_F | 300 mA |
| V_{RRM} | 40 V |
| C (typ) | 7 pF |
| T_j (max) | 150 °C |

1 Characteristics

Table 2. Absolute ratings (limiting values at $T_j = 25\text{ °C}$, unless otherwise specified)

| Symbol | Parameter | Value | Unit |
|-----------|--------------------------------------|---------------------------------|------|
| V_{RRM} | Repetitive peak reverse voltage | 40 | V |
| I_F | Continuous forward current | 300 | mA |
| I_{FSM} | Surge non repetitive forward current | $t_p = 10\text{ ms}$ Sinusoidal | A |
| T_{stg} | Storage temperature range | -65 to +150 | °C |
| T_j | Operating junction temperature range | -40 to +150 | °C |
| T_L | Maximum soldering temperature | 260 | °C |

Table 3. Thermal parameters

| Symbol | Parameter | Value | Unit |
|---------------|------------------------------------|-----------------|------|
| $R_{th(j-a)}$ | Junction to ambient ⁽¹⁾ | SOT-23, SOD-123 | 500 |
| | | SOT-323, SOD323 | 550 |
| | | SOD-523 | 600 |
| | | | °C/W |

1. Epoxy printed circuit board with recommended pad layout

Table 4. Static electrical characteristics

| Symbol | Parameter | Test conditions | Min. | Typ. | Max. | Unit |
|-------------|-------------------------|-----------------------|-----------------------|------|------|---------------|
| $I_R^{(1)}$ | Reverse leakage current | $T_j = 25\text{ °C}$ | $V_R = 30\text{ V}$ | | 1 | μA |
| | | $T_j = 100\text{ °C}$ | | | 100 | |
| $V_F^{(2)}$ | Forward voltage drop | $T_j = 25\text{ °C}$ | $I_F = 0.1\text{ mA}$ | | 240 | mV |
| | | | $I_F = 1\text{ mA}$ | | 320 | |
| | | | $I_F = 10\text{ mA}$ | | 400 | |
| | | | $I_F = 30\text{ mA}$ | | 500 | |
| | | | $I_F = 100\text{ mA}$ | | 900 | |

1. Pulse test: $t_p = 5\text{ ms}$, $\delta < 2\%$

2. Pulse test: $t_p = 380\text{ }\mu\text{s}$, $\delta < 2\%$

Table 5. Dynamic characteristics

| Symbol | Parameter | Test conditions | Min. | Typ. | Max. | Unit |
|----------|-----------------------|--|------|------|------|------|
| C | Diode capacitance | $V_R = 1\text{ V}$, $F = 1\text{ MHz}$ | | 7 | 10 | pF |
| t_{rr} | Reverse recovery time | $I_F = 10\text{ mA}$, $I_R = 10\text{ mA}$, $T_j = 25\text{ °C}$ $I_{rr} = 1\text{ mA}$, $R_L = 100\text{ }\Omega$ | | | 5 | ns |

Figure 1. Average forward power dissipation versus average forward current

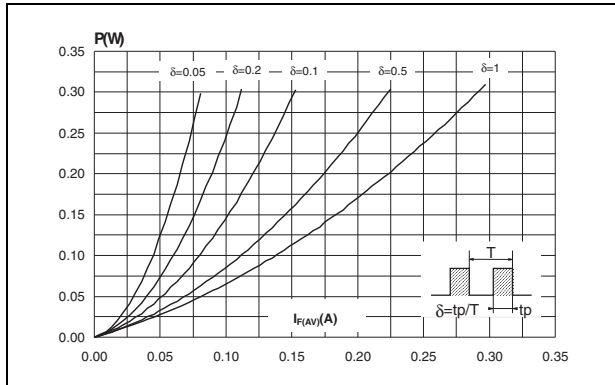


Figure 2. Average forward current versus ambient temperature (delta = 1)

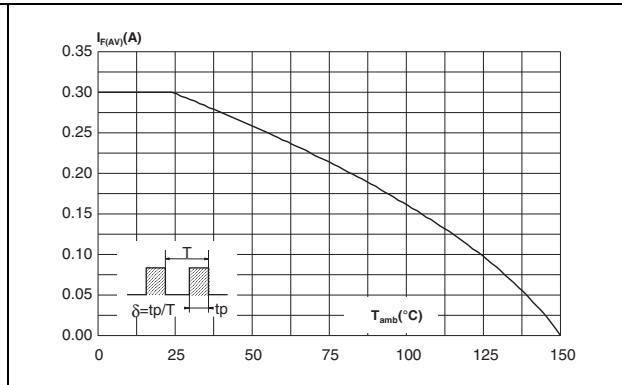


Figure 3. Reverse leakage current versus reverse applied voltage (typical values)

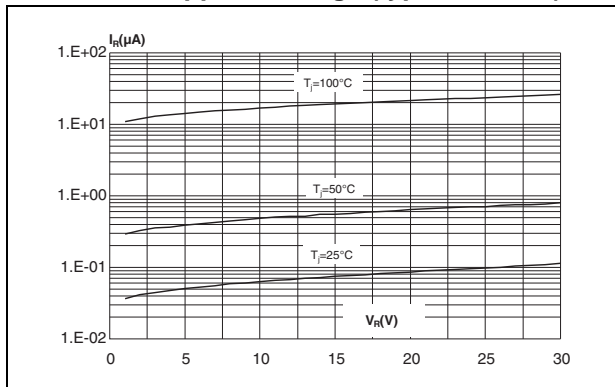


Figure 4. Reverse leakage current versus junction temperature

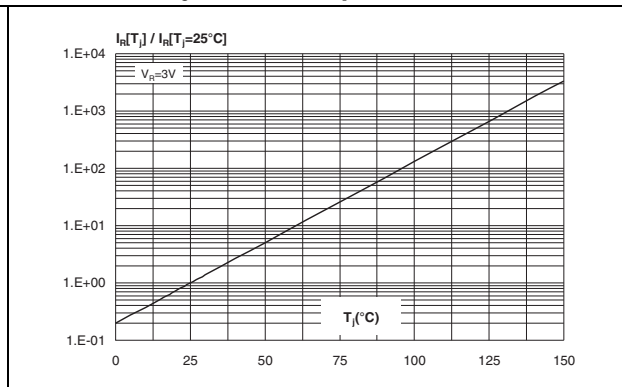


Figure 5. Junction capacitance versus reverse applied voltage (typical values)

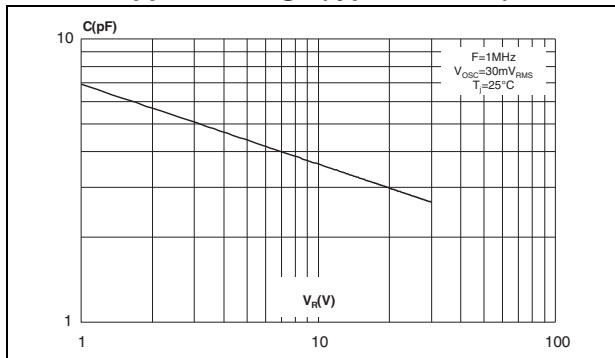


Figure 6. Forward voltage drop versus forward current (typical values)

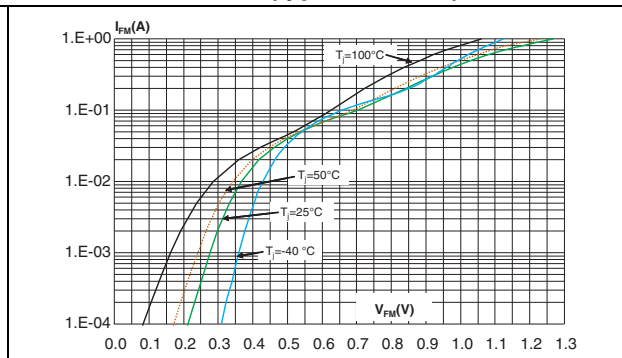


Figure 7. Thermal resistance junction to ambient versus copper surface under each lead (SOD323)

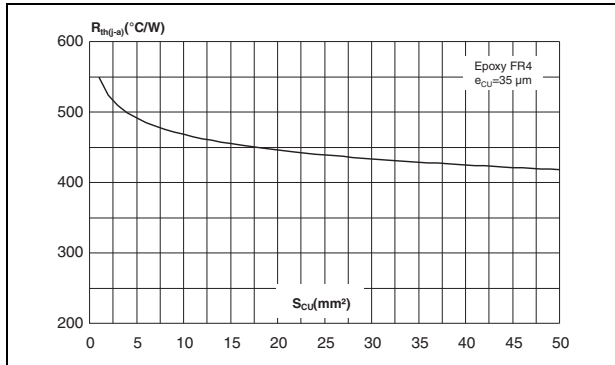


Figure 8. Relative variation of thermal impedance junction to ambient versus pulse duration (SOD323)

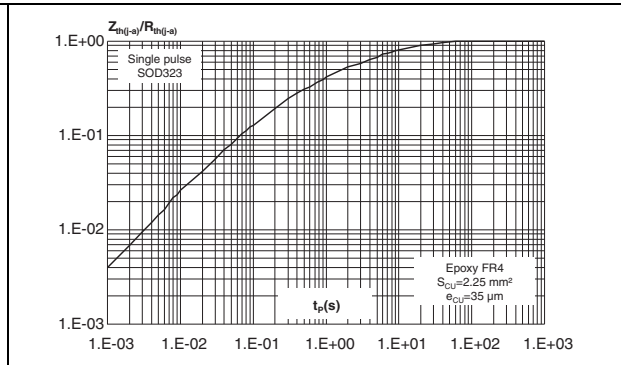


Figure 9. Relative variation of thermal impedance junction to ambient versus pulse duration (SOT23)

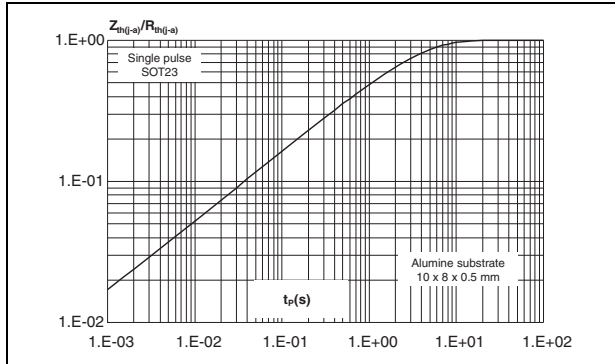
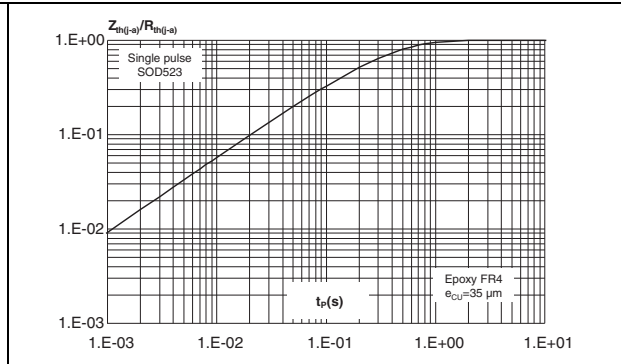


Figure 10. Relative variation of thermal impedance junction to ambient versus pulse duration (SOD-523)



2 Package information

- Epoxy meets UL94, V0
- Lead-free packages

In order to meet environmental requirements, ST offers these devices in different grades of ECOPACK[®] packages, depending on their level of environmental compliance. ECOPACK[®] specifications, grade definitions and product status are available at: www.st.com. ECOPACK[®] is an ST trademark.

Figure 11. SOD123 dimension definitions

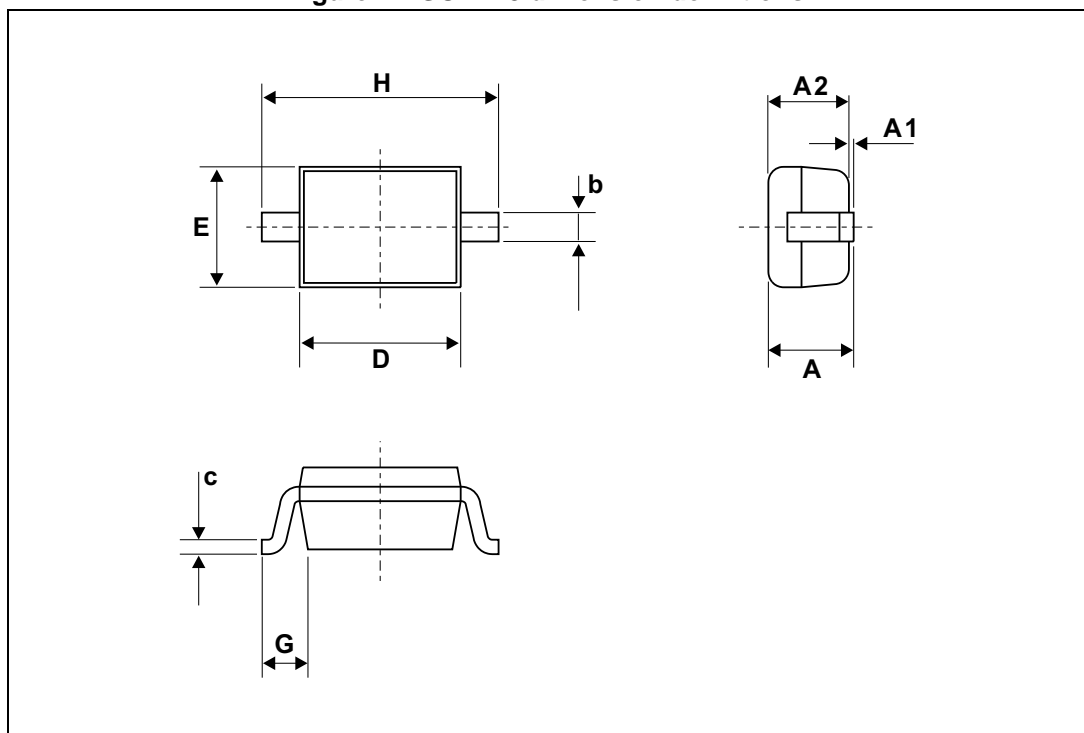


Table 6. SOD123 dimension values

| Ref. | Dimensions | | | | | |
|------|-------------|------|------|--------|-------|-------|
| | Millimeters | | | Inches | | |
| | Min. | Typ. | Max. | Min. | Typ. | Max. |
| A | | | 1.45 | | | 0.057 |
| A1 | 0 | | 0.10 | | 0 | 0.004 |
| A2 | 0.85 | | 1.35 | 0.033 | | 0.053 |
| b | | 0.55 | | | 0.022 | |
| c | | 0.15 | | | 0.039 | |
| D | 2.55 | | 2.85 | 0.1 | | 0.112 |
| E | 1.4 | | 1.70 | 0.055 | | 0.067 |
| G | 0.25 | | | 0.01 | | |
| H | 3.55 | | 3.75 | 0.14 | | 0.148 |

Figure 12. SOD123 footprint dimensions in mm (inches)

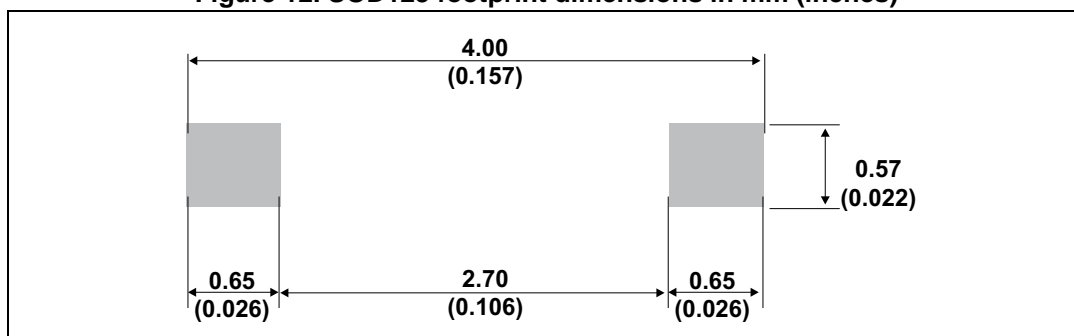


Figure 13. SOD323 dimension definitions

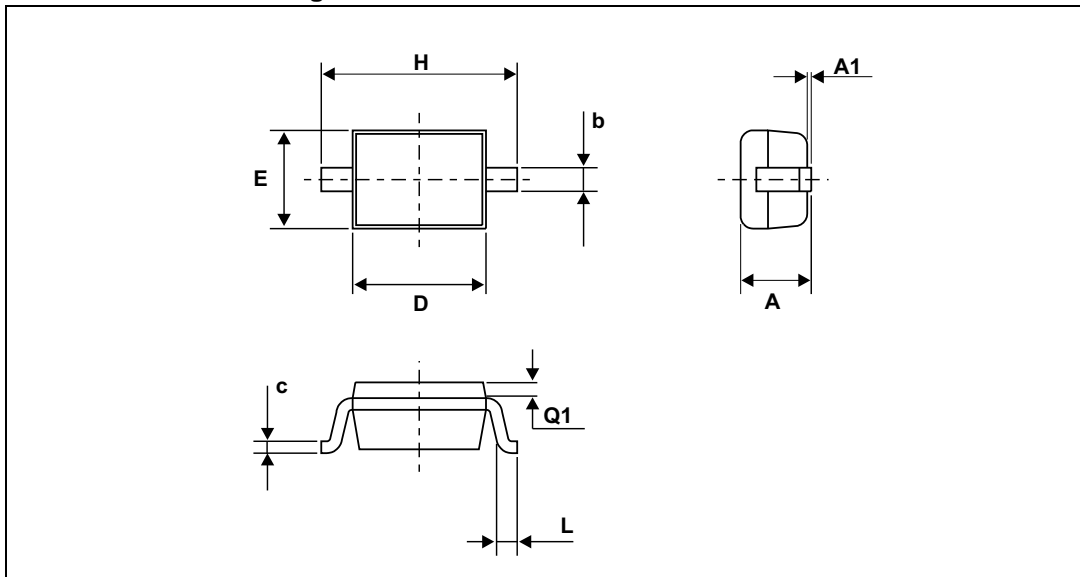


Table 7. SOD323 dimension values

| Ref. | Dimensions | | | | | |
|------|-------------|------|------|--------|------|-------|
| | Millimeters | | | Inches | | |
| | Min. | Typ. | Max. | Min. | Typ. | Max. |
| A | | | 1.17 | | | 0.046 |
| A1 | 0 | | 0.1 | 0 | | 0.004 |
| b | 0.25 | | 0.44 | 0.01 | | 0.017 |
| c | 0.1 | | 0.25 | 0.004 | | 0.01 |
| D | 1.52 | | 1.8 | 0.06 | | 0.071 |
| E | 1.11 | | 1.45 | 0.044 | | 0.057 |
| H | 2.3 | | 2.7 | 0.09 | | 0.106 |
| L | 0.1 | | 0.46 | 0.004 | | 0.02 |
| Q1 | 0.1 | | 0.41 | 0.004 | | 0.016 |

Figure 14. SOD323 footprint dimensions in mm (inches)

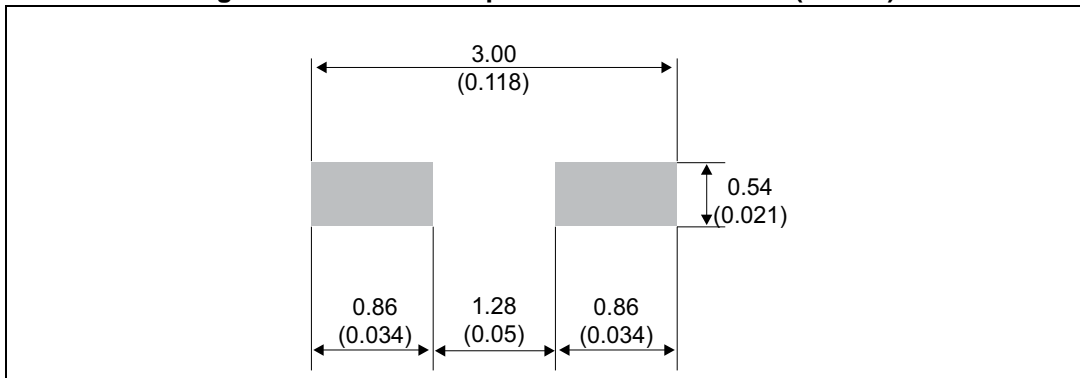


Figure 15. SOD-523 dimension definitions

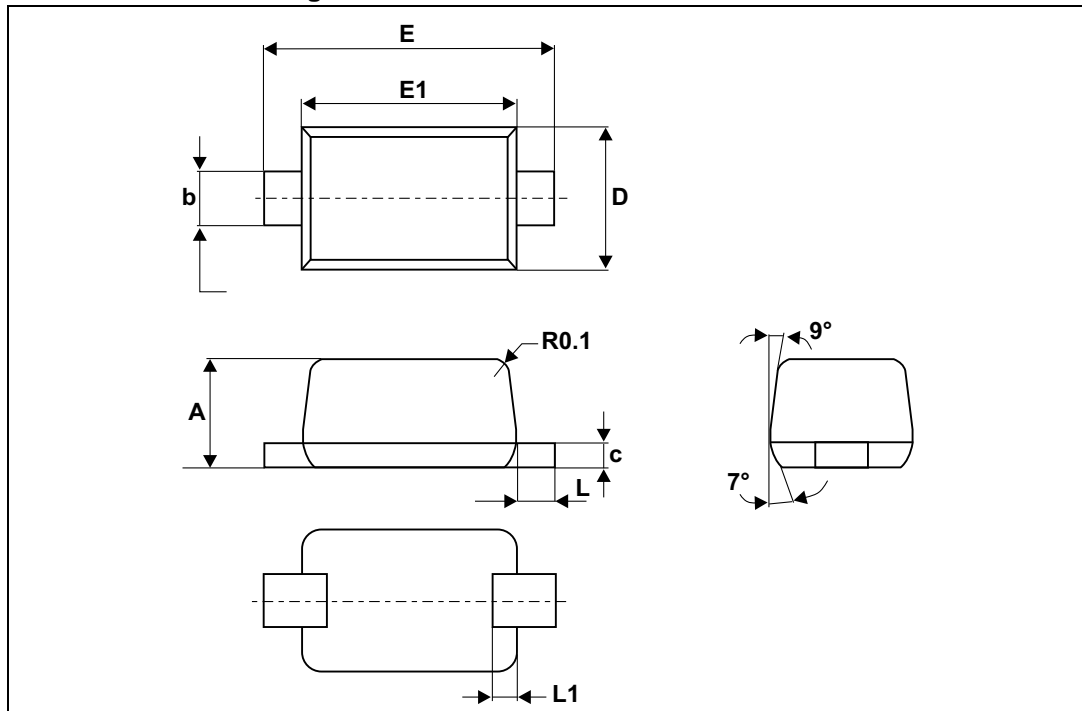


Table 8. SOD-523 dimension values

| Ref. | Dimensions | | | | | |
|------|-------------|------|------|--------|-------|-------|
| | Millimeters | | | Inches | | |
| | Min. | Typ. | Max. | Min. | Typ. | Max. |
| A | 0.50 | 0.60 | 0.70 | 0.020 | 0.024 | 0.028 |
| E | 1.50 | 1.60 | 1.70 | 0.059 | 0.063 | 0.067 |
| E1 | 1.10 | 1.20 | 1.30 | 0.043 | 0.047 | 0.051 |
| D | 0.70 | 0.80 | 0.90 | 0.028 | 0.031 | 0.035 |
| b | 0.25 | | 0.35 | 0.010 | | 0.014 |
| c | 0.07 | | 0.20 | 0.003 | | 0.008 |
| L | 0.15 | 0.20 | 0.25 | 0.006 | 0.008 | 0.010 |
| L1 | 0.05 | | 0.20 | 0.002 | | 0.008 |

Figure 16. SOD-523 footprint dimensions in mm (inches)

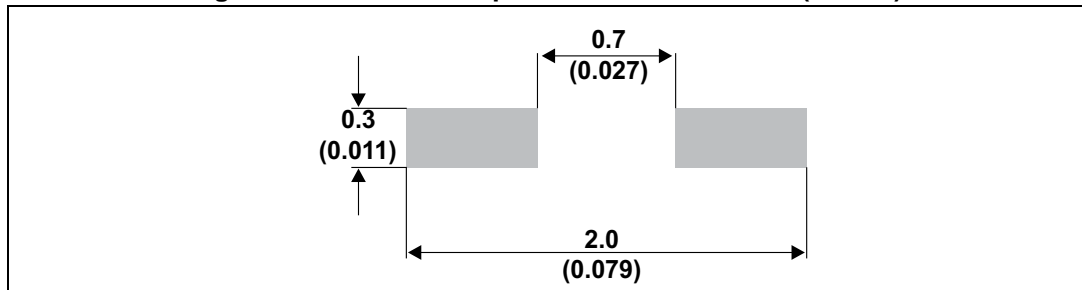


Figure 17. SOT23 dimension definitions

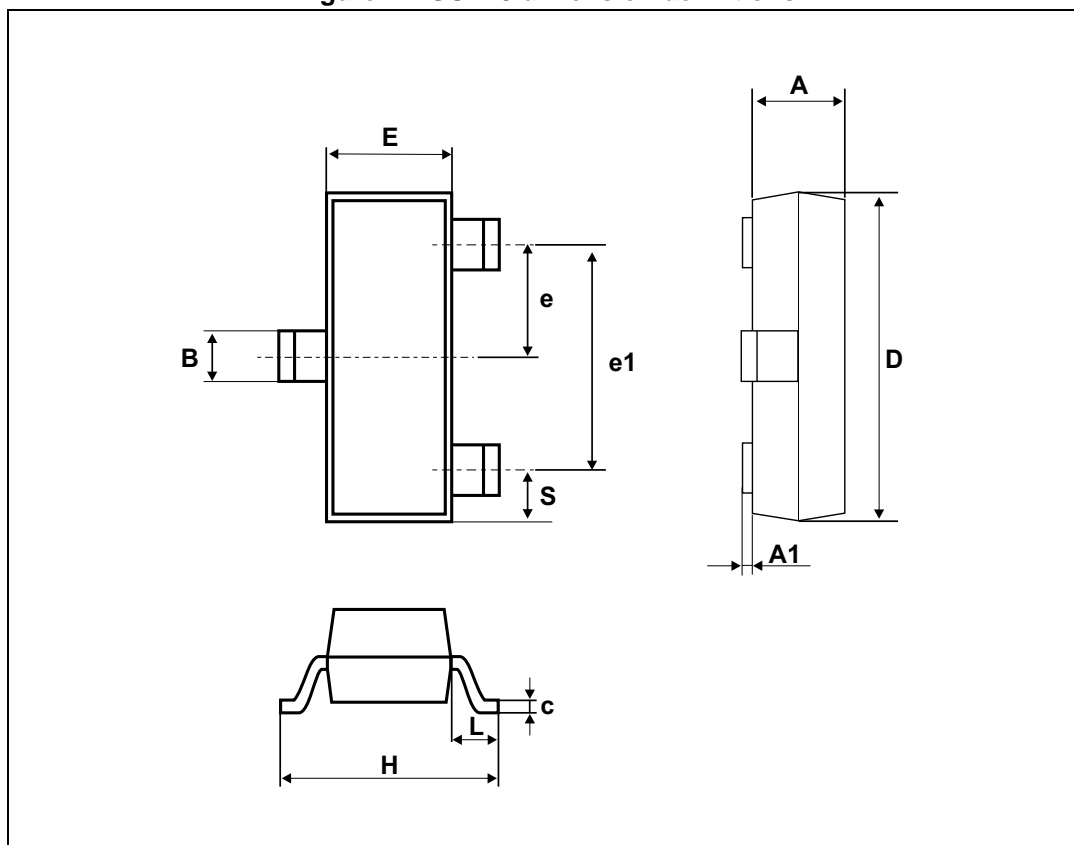


Table 9. SOT23 dimension values

| Ref. | Dimensions | | | | | |
|------|-------------|------|------|--------|-------|-------|
| | Millimeters | | | Inches | | |
| | Min. | Typ. | Max. | Min. | Typ. | Max. |
| A | 0.89 | | 1.4 | 0.035 | | 0.055 |
| A1 | 0 | | 0.1 | 0 | | 0.004 |
| B | 0.3 | | 0.51 | 0.012 | | 0.02 |
| c | 0.085 | | 0.18 | 0.003 | | 0.007 |
| D | 2.75 | | 3.04 | 0.108 | | 0.12 |
| e | 0.85 | | 1.05 | 0.033 | | 0.041 |
| e1 | 1.7 | | 2.1 | 0.067 | | 0.083 |
| E | 1.2 | | 1.75 | 0.047 | | 0.069 |
| H | 2.1 | | 3.00 | 0.083 | | 0.118 |
| L | | 0.6 | | | 0.024 | |
| S | 0.35 | | 0.65 | 0.014 | | 0.026 |

Figure 18. SOT23 footprint dimensions in mm (inches)

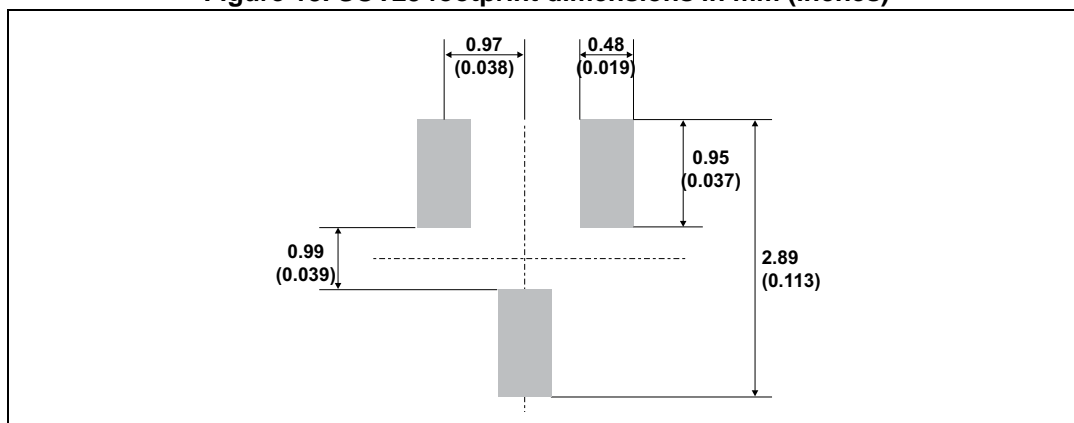


Figure 19. SOT-323 dimension definitions

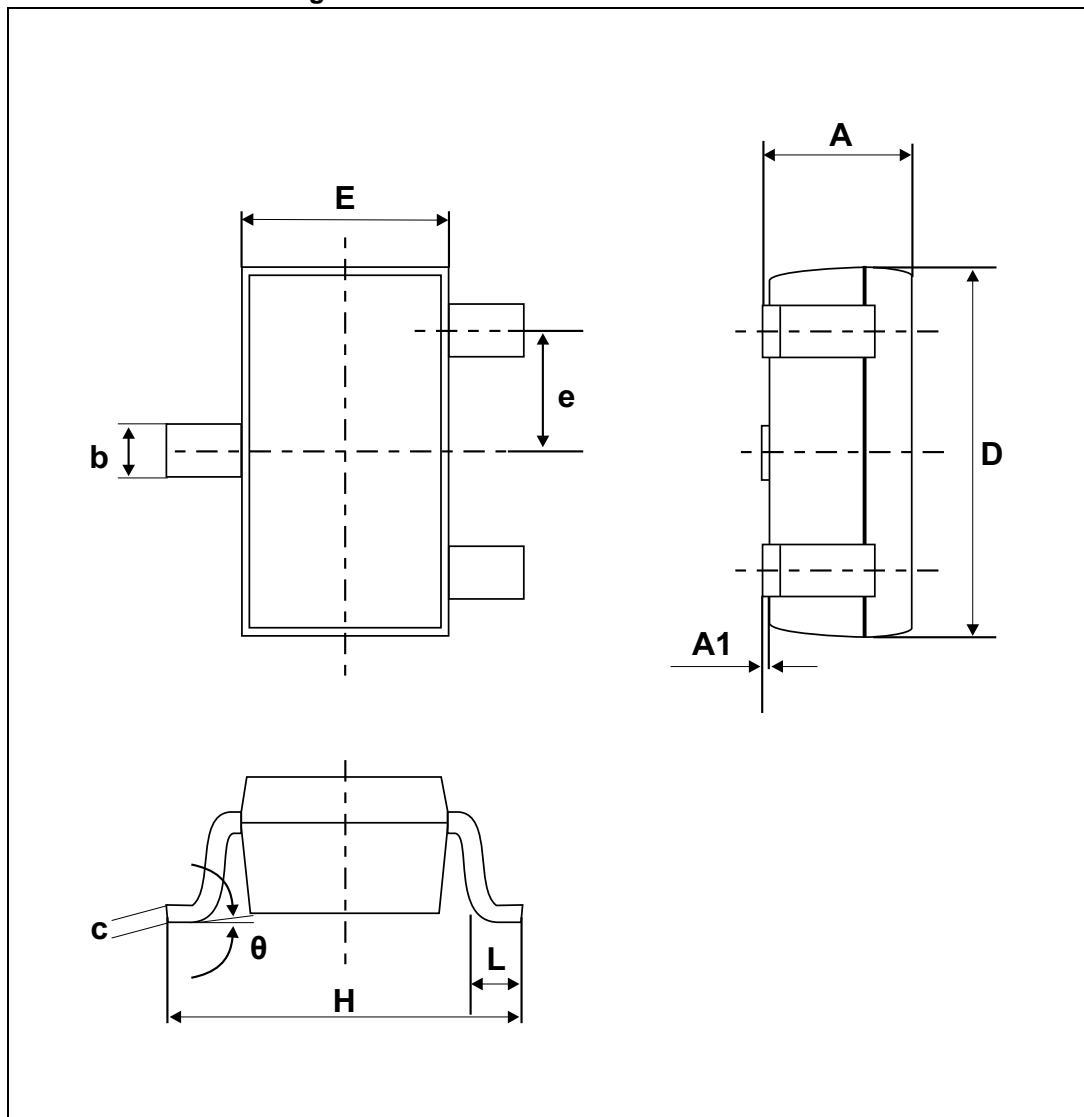
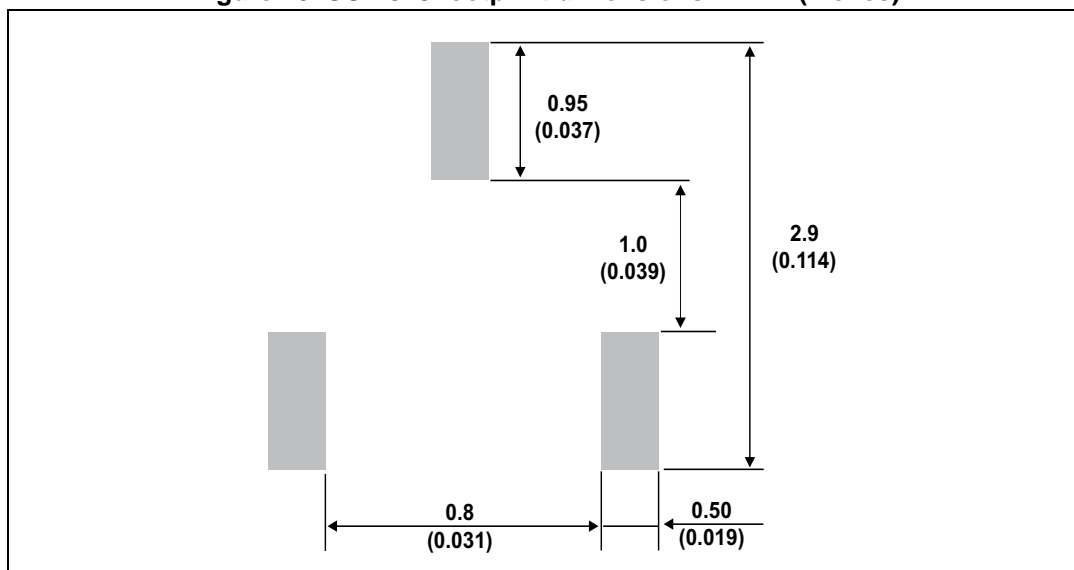


Table 10. SOT-323 dimension values

| Ref. | Dimensions | | | | | |
|------|-------------|------|------|--------|-------|-------|
| | Millimeters | | | Inches | | |
| | Min. | Typ. | Max. | Min. | Typ. | Max. |
| A | 0.8 | | 1.1 | 0.031 | | 0.043 |
| A1 | 0.0 | | 0.1 | 0.0 | | 0.004 |
| b | 0.25 | | 0.4 | 0.010 | | 0.016 |
| c | 0.1 | | 0.26 | 0.004 | | 0.010 |
| D | 1.8 | 2.0 | 2.2 | 0.071 | 0.079 | 0.086 |
| E | 1.15 | 1.25 | 1.35 | 0.045 | 0.049 | 0.053 |
| e | 0.6 | 0.65 | 0.7 | 0.023 | 0.026 | 0.027 |
| H | 1.8 | 2.1 | 2.4 | 0.071 | 0.083 | 0.094 |
| L | 0.1 | 0.2 | 0.3 | 0.004 | 0.008 | 0.012 |
| q | 0 | | 30° | 0 | | 30° |

Figure 20. SOT-323 footprint dimensions in mm (inches)



3 Ordering information

Figure 21. Ordering information scheme

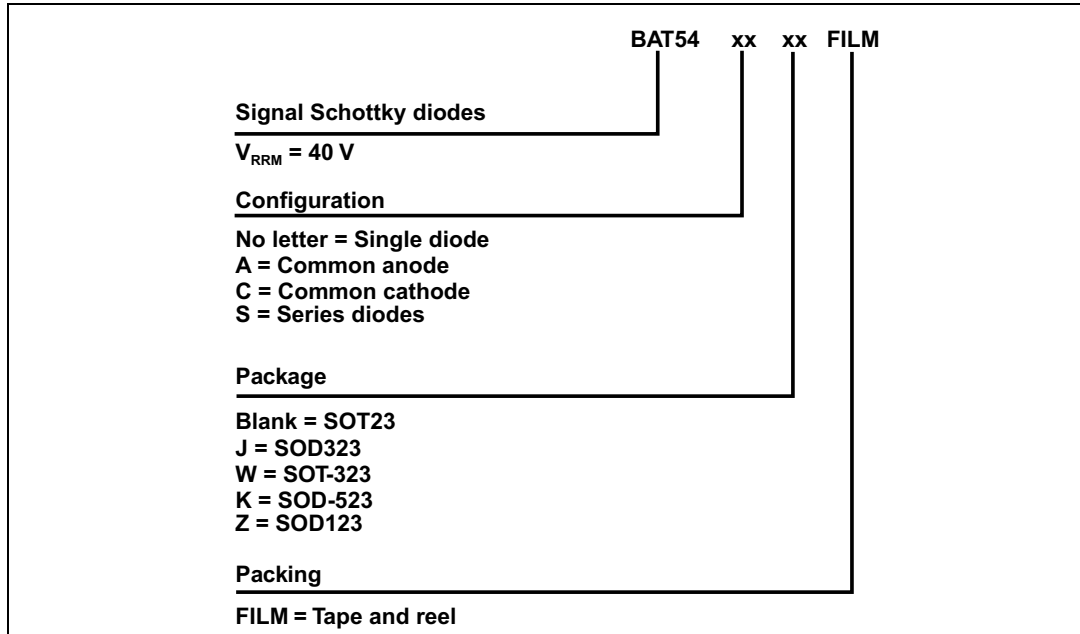


Table 11. Ordering information

| Order code | Marking | Package | Weight | Base qty | Delivery mode |
|---------------|---------|---------------------------|--------|----------|---------------|
| BAT54FILM | D86 | SOT-23 Single | 10 mg | 3000 | Tape and reel |
| BAT54SFILM | D88 | SOT-23 Serial | 10 mg | 3000 | Tape and reel |
| BAT54CFILM | D87 | SOT-23 Common cathode | 10 mg | 3000 | Tape and reel |
| BAT54AFILM | D84 | SOT-23 Common anode | 10 mg | 3000 | Tape and reel |
| BAT54WFILM | D73 | SOT-323 Single | 6 mg | 3000 | Tape and reel |
| BAT54SWFILM | D78 | SOT-323 Serial | 6 mg | 3000 | Tape and reel |
| BAT54CWFILM | D77 | SOT-323 Common cathode | 6 mg | 3000 | Tape and reel |
| BAT54AWFILM | D74 | SOT-323 Common anode | 6 mg | 3000 | Tape and reel |
| BAT54JFILM | 86 | SOD-323 | 5 mg | 3000 | Tape and reel |
| BAT54JFILM-HQ | 86 | SOD-323 | 5 mg | 10000 | Tape and reel |
| BAT54KFILM | 86 | SOD-523 | 1.4 mg | 3000 | Tape and reel |
| BAT54ZFILM | D72 | SOD-123 | 10 mg | 3000 | Tape and reel |

4 Revision history

Table 12. Document revision history

| Date | Revision | Changes |
|-------------|----------|--|
| Jun-1999 | 8 | Last update. |
| 24-Jul-2006 | 9 | BAT54, A, C, S and BAT54J / W / AW / CW /SW datasheets merged. ECOPACK statement added. SOD-123, SOD-523 and SOT-666 packages added. |
| 13-Oct-2009 | 10 | Updated Table 8 quote "L1" from 0.10 to 0.05. |
| 02-Feb-2015 | 11 | Updated Figure 22 for product in end of life. Removed SOT-666 package information and reformatted to current standard. |
| 28-Jun-2016 | 12 | Updated Table 11 . |

IMPORTANT NOTICE – PLEASE READ CAREFULLY

STMicroelectronics NV and its subsidiaries ("ST") reserve the right to make changes, corrections, enhancements, modifications, and improvements to ST products and/or to this document at any time without notice. Purchasers should obtain the latest relevant information on ST products before placing orders. ST products are sold pursuant to ST's terms and conditions of sale in place at the time of order acknowledgement.

Purchasers are solely responsible for the choice, selection, and use of ST products and ST assumes no liability for application assistance or the design of Purchasers' products.

No license, express or implied, to any intellectual property right is granted by ST herein.

Resale of ST products with provisions different from the information set forth herein shall void any warranty granted by ST for such product.

ST and the ST logo are trademarks of ST. All other product or service names are the property of their respective owners.

Information in this document supersedes and replaces information previously supplied in any prior versions of this document.

© 2016 STMicroelectronics – All rights reserved

X-ON Electronics

Largest Supplier of Electrical and Electronic Components

Click to view similar products for [Schottky Diodes & Rectifiers](#) category:

Click to view products by [STMicroelectronics](#) manufacturer:

Other Similar products are found below :

[MA4E2039](#) [D1FH3-5063](#) [MBR0530L-TP](#) [MBR10100CT-BP](#) [MBR1545CT](#) [MMBD301M3T5G](#) [RB160M-50TR](#) [RB551V-30](#)
[BAS16E6433HTMA1](#) [BAT 54-02LRH E6327](#) [NSR05F40QNXT5G](#) [NTE555](#) [JANS1N6640](#) [SB07-03C-TB-H](#) [SB1003M3-TL-W](#) [SK310-T](#)
[SK32A-LTP](#) [SK33A-TP](#) [SK34B-TP](#) [SS3003CH-TL-E](#) [GA01SHT18](#) [CRS10I30A\(TE85L,QM](#) [MA4E2501L-1290](#) [MBRB30H30CT-1G](#)
[SB007-03C-TB-E](#) [SK32A-TP](#) [SK33B-TP](#) [SK35A-TP](#) [SK38B-TP](#) [NRVBM120LT1G](#) [NTE505](#) [NTSB30U100CT-1G](#) [SS15E-TP](#) [VS-](#)
[6CWQ10FNHM3](#) [ACDBA1100LR-HF](#) [ACDBA1200-HF](#) [ACDBA140-HF](#) [ACDBA2100-HF](#) [ACDBA3100-HF](#) [CDBQC0530L-HF](#)
[CDBQC0240LR-HF](#) [ACDBA340-HF](#) [ACDBA260LR-HF](#) [ACDBA1100-HF](#) [SK310B-TP](#) [MA4E2502L-1246](#) [MA4E2502H-1246](#)
[NRVBM120ET1G](#) [NSR01L30MXT5G](#) [NTE573](#)