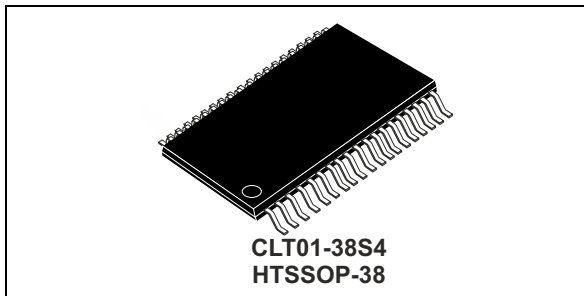


## High speed protected digital termination array

Data brief



### Features

- 8-input circuit in common ground low side topology
- Wide range input DC voltage  $V_i$ : -30 V to 35 V
- On state threshold:  $< 11$  V with  $R_i = 2.2$  k $\Omega$
- Off state threshold:  $I_{in} > 1.5$  mA or  $V_i > 5$  V
- Protected against -30 V reverse polarity
- Typical  $I_{LIM} = 2.1$  to 2.6 mA adjustable current limiters
- Tight current tolerance including temperature compensation:  $\pm 10\%$
- Serial output with an SPI communication bus
- Clock frequency up to 6.25 MHz
- $C_{PHA} = C_{POL} = 0$  bus master operation
- Multi CLT operation in daisy chain connection
- 16-bit mode: 8 bits for data / 8 bits for control
  - Minimum capture time: 4  $\mu$ s
  - Input data rate: 200 kbps/100 kHz
  - Minimum propagation transfer time: 7  $\mu$ s
- 8-bit mode: 8 bits for data
  - Minimum capture time: 2.5  $\mu$ s
  - Input data rate: 400 kbps/200 kHz
  - Minimum propagation transfer time: 4  $\mu$ s
- $V_{CC} = -0.3$  to +35 V with  $R_C = 2.2$  k $\Omega$
- Ambient temperature range: -25 to +85°C
- Digital inputs for programmable logic controller and decentralized I/O modules

### Benefits

- Enables input to meet type 1, 2 and 3 characteristics of IEC 61131-2 standard
- Compatible operation with 2 wires proximity sensor according EN 60947-5-2 standard
- Compact board with surface mount integration and reduced count of isolated couplers
- Reduces the count of input-output of the bus controller circuit
- Provides energy-less input LED visual status
- Enhanced functional reliability
- Built-in over voltage robustness and immune data transfer
- Reduced dissipation: 78 mW max. per channel

### Complies with following standards ( $R_i = 2.2$ $\Omega$ , $R_C = 2.2$ $\Omega$ , $C = 33$ nF):

- Electrostatic discharge, IEC 61000-4-2:
  - $\pm 8$  kV contact discharge
  - $\pm 15$  kV air discharge
- Electrical transient immunity IEC 61000-4-4<sup>(a)</sup>:
  - $F_{SCK} = 6.25$  MHz,  $\pm 3$  kV
  - $F_{SCK} = 10$  kHz,  $\pm 4$  kV
- Voltage surge IEC 61000-4-5
  - Input:  $\pm 15$  kV
  - Power supply:  $\pm 2.5$  kV

### Applications

- Programmable logic controller and decentralized input modules
- High speed protected termination for digital input with serialized SPI output
- IEC 61131-2 type 1, 2 and 3.

a. With 470 pF grounded on CS and 100 pF grounded on CLK

# 1 Description

CLT01-38S4 adds to the existing current limiter family. Still focusing on power consumption savings, the whole series allows each customer to find the right solution.

The CLT01-38S4 is an octal input termination device with a high speed SPI output. Its maximum input data rate is 400 kbps while the output SPI speed is 6.25 MHz.

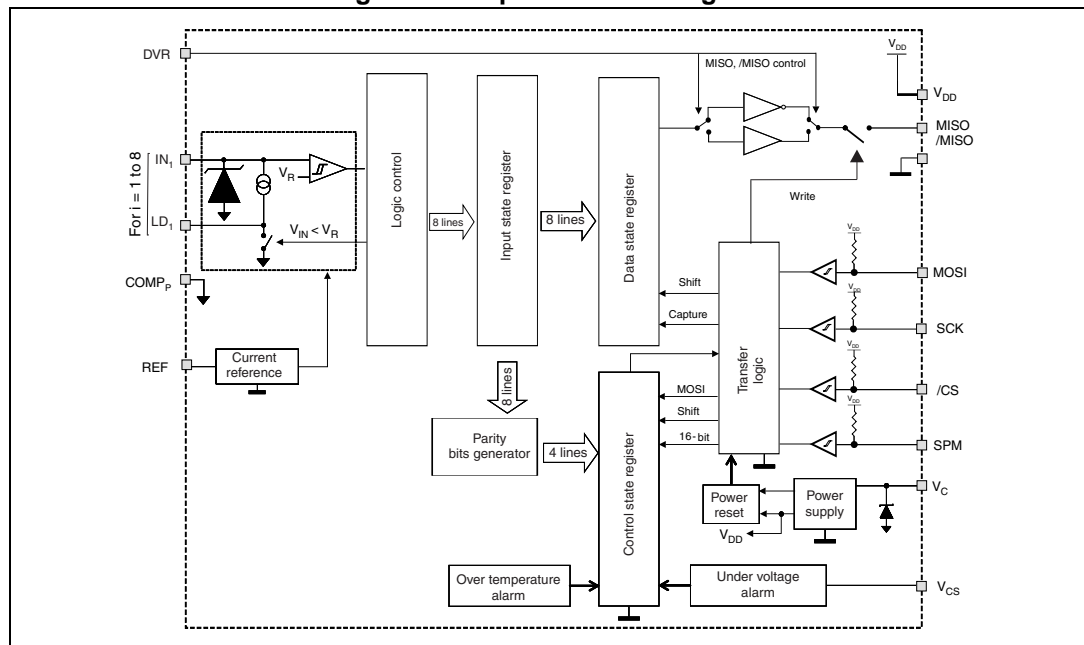
As in previous versions, robustness is a key feature of CLT01-38S4. The product is compliant with surge standards defined in IEC 61000-4-x.

It can run all types of sensor according to IEC 61131-2. Type 1 and 3 with a 2.35 mA limited current and type 2 using two inputs per sensor with the correct  $R_{REF}$ .

# 2 Characteristics

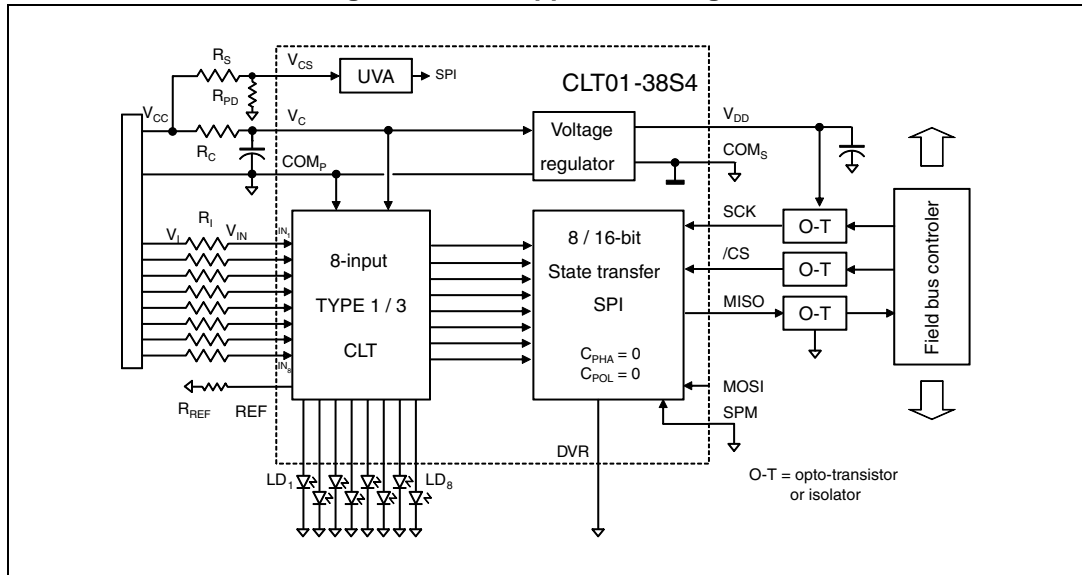
## 2.1 Simplified block diagram

Figure 1. Simplified block diagram



## 2.2 Basic application diagram

Figure 2. Basic application diagram



## 2.3 Input I/O pin descriptions

Figure 3. Pinout description of the HTSSOP-38 version (top view)

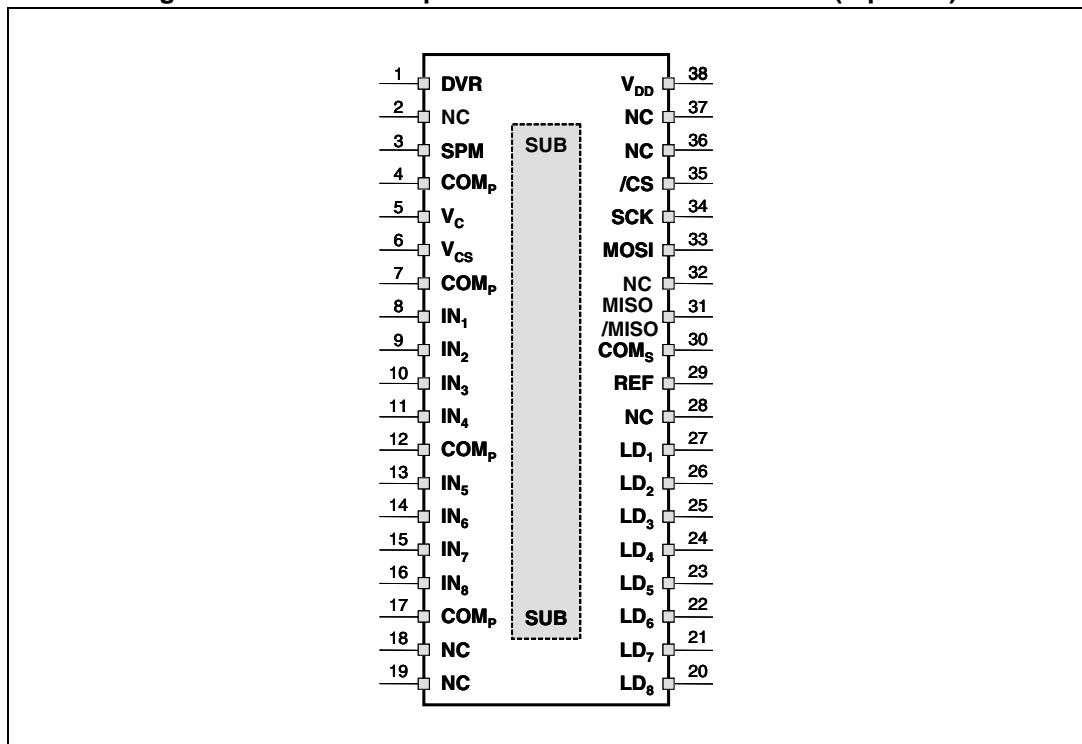


Table 1. Pin-out name and description

Name	Type	description	Pin name
IN <sub>I</sub>	Power input	Logic input with a current regulation behavior, I = 1 to 8	8 to 11, 13 to 16
LD <sub>I</sub>	Power output	LED output driver with a current regulation behavior, I = 1 to 8	20 to 27
VC	Power input	24 V sensor power supply	5
VCS	Signal input	24 V sensor power supply sensing input	6
COMP	Ground	Power ground of power sensor supply	4, 7, 12, 17
VDD	Power output	5 V logic power supply	38
COMS	Ground	Signal ground of logic / output section	30
REF	Signal input	Input current limiter reference setting	29
SPM	Signal input	SPI shift register length selector (8 or 16 bits)	3
/CS	Logic input	SPI chip Select signal	35
SCK	Logic input	SPI serial clock signal	34
MOSI	Logic output	SPI serial data input signal	33
DVR	Signal input	SPI data selector: DVR = GND → pin 31 = MISO DVR = VDD → pin 31 = /MISO	1
MISO or /MISO	Logic output	SPI serial data output signal or Inverting SPI serial data output signal	31
SUB	Substrate	Exposed pad: connected to die substrate, to connect to COMP	Exposed pad
NC		Not connected (or to be connected to COMP)	2, 18, 19, 28, 36, 37

### 3 Package information

- Epoxy meets UL94, V0
- Lead-free packages

In order to meet environmental requirements, ST offers these devices in different grades of ECOPACK<sup>®</sup> packages, depending on their level of environmental compliance. ECOPACK<sup>®</sup> specifications, grade definitions and product status are available at: [www.st.com](http://www.st.com). ECOPACK<sup>®</sup> is an ST trademark.

Figure 4. HTSSOP-38 dimension definitions

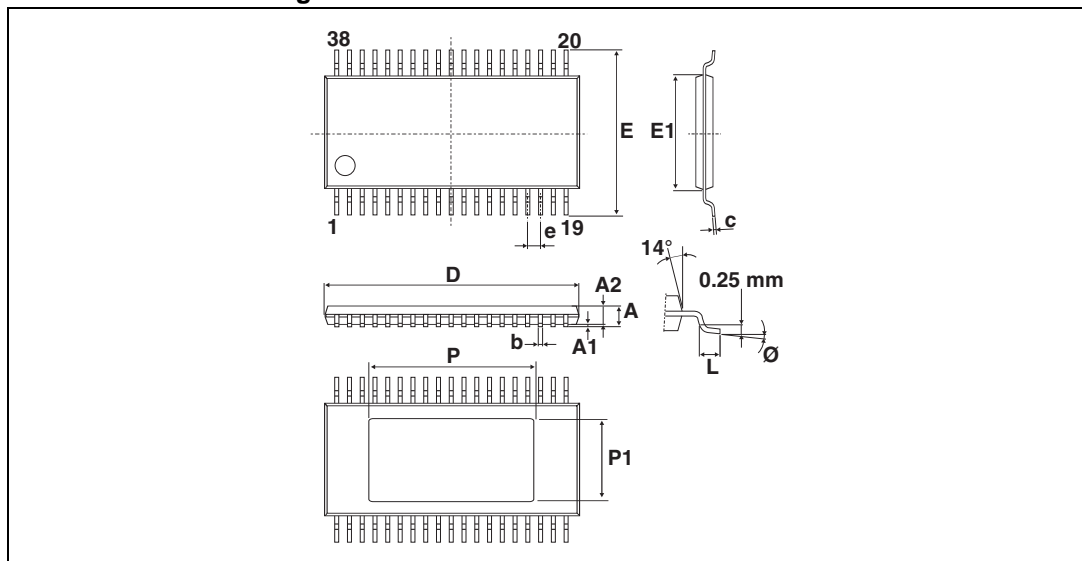
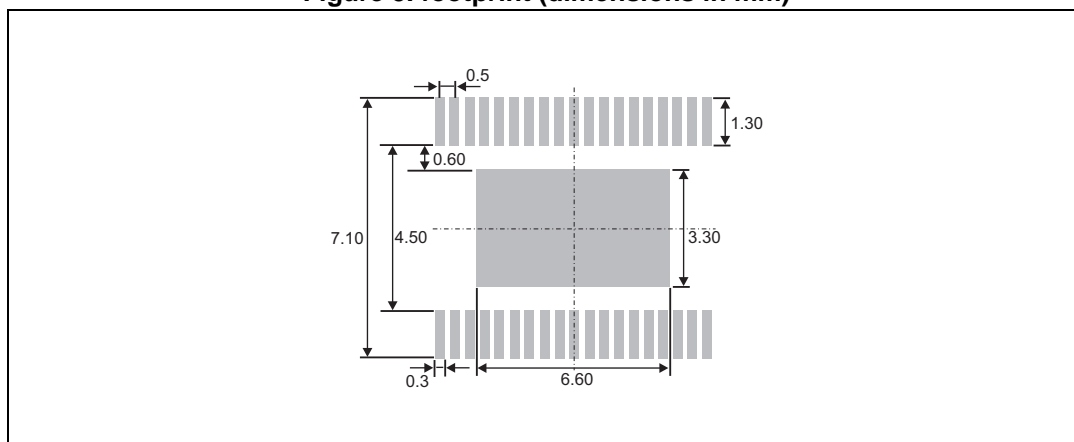


Table 2. HTSSOP-38 dimension values

Ref.	Dimensions					
	Millimeters			Inches		
	Min.	Typ.	Max.	Min.	Typ.	Max.
A	-	-	1.1	-	-	0.043
A1	0.05	-	0.15	0.002	-	0.006
A2	0.85	0.9	0.95	0.033	0.035	0.037
b	0.17	-	0.27	0.007	-	0.011
c	0.09	-	0.20	0.003	-	0.008
D	9.60	9.70	9.80	0.378	0.382	0.386
E1	4.30	4.40	4.50	0.169	0.173	0.177
e	-	0.50	-	-	0.020	-
E	-	6.40	-	-	0.252	-
L	0.50	0.60	0.70	0.020	0.024	0.027
P	6.40	6.50	6.60	0.252	0.256	0.260
P1	3.10	3.20	3.30	0.122	0.126	0.130
∅	0°	-	8°	0°	-	8°

Figure 5. footprint (dimensions in mm)



## 4 Ordering information

Figure 6. Ordering information scheme

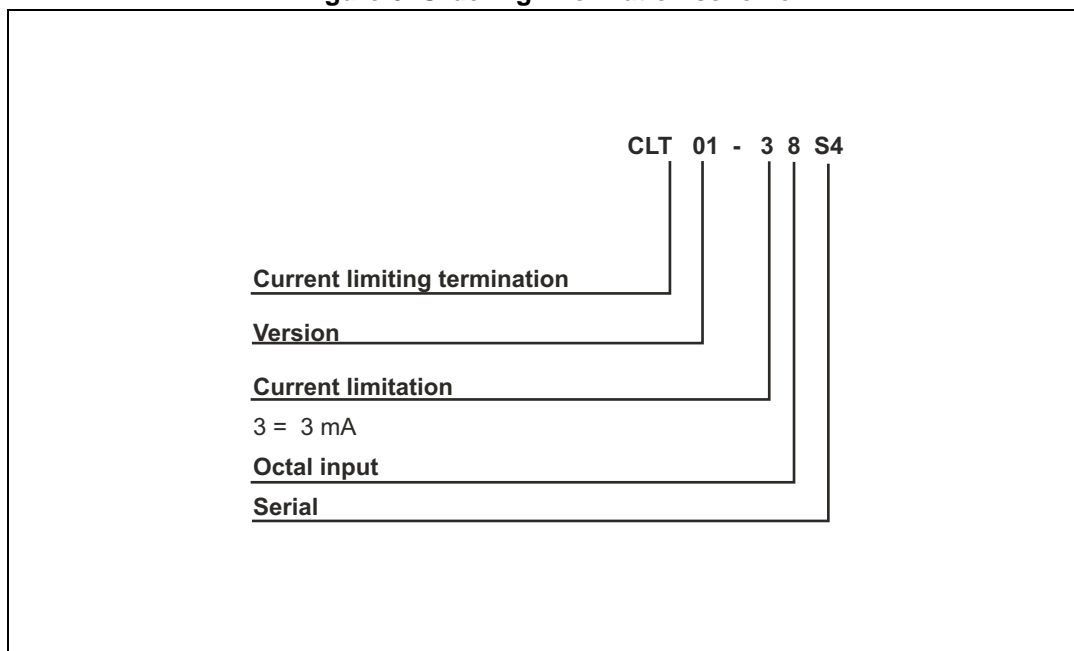


Table 3. Ordering information

Order code	Marking	Package	Weight	Base qty	Delivery mode
CLT01-38S4-TR	CLT01-38S4	HTSSOP-38	114 mg	2500	Tape and reel
CLT01-38S4	CLT01-38S4	HTSSOP-38	114 mg	40	Tube

## 5 Revision history

Table 4. Revision history

Date	Revision	Changes
23-Apr-2013	1	First issue

**Please Read Carefully:**

Information in this document is provided solely in connection with ST products. STMicroelectronics NV and its subsidiaries ("ST") reserve the right to make changes, corrections, modifications or improvements, to this document, and the products and services described herein at any time, without notice.

All ST products are sold pursuant to ST's terms and conditions of sale.

Purchasers are solely responsible for the choice, selection and use of the ST products and services described herein, and ST assumes no liability whatsoever relating to the choice, selection or use of the ST products and services described herein.

No license, express or implied, by estoppel or otherwise, to any intellectual property rights is granted under this document. If any part of this document refers to any third party products or services it shall not be deemed a license grant by ST for the use of such third party products or services, or any intellectual property contained therein or considered as a warranty covering the use in any manner whatsoever of such third party products or services or any intellectual property contained therein.

**UNLESS OTHERWISE SET FORTH IN ST'S TERMS AND CONDITIONS OF SALE ST DISCLAIMS ANY EXPRESS OR IMPLIED WARRANTY WITH RESPECT TO THE USE AND/OR SALE OF ST PRODUCTS INCLUDING WITHOUT LIMITATION IMPLIED WARRANTIES OF MERCHANTABILITY, FITNESS FOR A PARTICULAR PURPOSE (AND THEIR EQUIVALENTS UNDER THE LAWS OF ANY JURISDICTION), OR INFRINGEMENT OF ANY PATENT, COPYRIGHT OR OTHER INTELLECTUAL PROPERTY RIGHT.**

**ST PRODUCTS ARE NOT AUTHORIZED FOR USE IN WEAPONS. NOR ARE ST PRODUCTS DESIGNED OR AUTHORIZED FOR USE IN: (A) SAFETY CRITICAL APPLICATIONS SUCH AS LIFE SUPPORTING, ACTIVE IMPLANTED DEVICES OR SYSTEMS WITH PRODUCT FUNCTIONAL SAFETY REQUIREMENTS; (B) AERONAUTIC APPLICATIONS; (C) AUTOMOTIVE APPLICATIONS OR ENVIRONMENTS, AND/OR (D) AEROSPACE APPLICATIONS OR ENVIRONMENTS. WHERE ST PRODUCTS ARE NOT DESIGNED FOR SUCH USE, THE PURCHASER SHALL USE PRODUCTS AT PURCHASER'S SOLE RISK, EVEN IF ST HAS BEEN INFORMED IN WRITING OF SUCH USAGE, UNLESS A PRODUCT IS EXPRESSLY DESIGNATED BY ST AS BEING INTENDED FOR "AUTOMOTIVE, AUTOMOTIVE SAFETY OR MEDICAL" INDUSTRY DOMAINS ACCORDING TO ST PRODUCT DESIGN SPECIFICATIONS. PRODUCTS FORMALLY ESCC, QML OR JAN QUALIFIED ARE DEEMED SUITABLE FOR USE IN AEROSPACE BY THE CORRESPONDING GOVERNMENTAL AGENCY.**

Resale of ST products with provisions different from the statements and/or technical features set forth in this document shall immediately void any warranty granted by ST for the ST product or service described herein and shall not create or extend in any manner whatsoever, any liability of ST.

ST and the ST logo are trademarks or registered trademarks of ST in various countries.

Information in this document supersedes and replaces all information previously supplied.

The ST logo is a registered trademark of STMicroelectronics. All other names are the property of their respective owners.

© 2013 STMicroelectronics - All rights reserved

STMicroelectronics group of companies

Australia - Belgium - Brazil - Canada - China - Czech Republic - Finland - France - Germany - Hong Kong - India - Israel - Italy - Japan - Malaysia - Malta - Morocco - Philippines - Singapore - Spain - Sweden - Switzerland - United Kingdom - United States of America

[www.st.com](http://www.st.com)



## X-ON Electronics

Largest Supplier of Electrical and Electronic Components

*Click to view similar products for [Interface - Specialised category](#):*

*Click to view products by [STMicroelectronics manufacturer](#):*

Other Similar products are found below :

[CY7C910-51LMB](#) [MC33689DPEWR2](#) [MC33975ATEKR2](#) [MEC1632-AUE](#) [NVT4555UKZ](#) [RKSAS4](#) [HMC677G32](#) [LPC47N207-JV](#) [FTP-637DSL633R](#) [SM712GX04LF04-BA](#) [MC33689DPEW](#) [PCA9704PWJ](#) [MCW1001A-I/SS](#) [HOA6241-001](#) [SC74HC4066ADTR2G](#) [AS3935-BQFT](#) [NCN5120MNTWG](#) [NCN5150DR2G](#) [NCN8025MTTBG](#) [C100N50Z4A](#) [DG407AK/883B](#) [SRT2-ATT01](#) [TDA8035HN/C1/S1J](#)  
[LTC1694CS5#TRMPBF](#) [TLE9221SXXUMA2](#) [DS90UB947TRGCRQ1](#) [NCS2300MUTAG](#) [HMC677LP5E](#) [HMC677LP5ETR](#)  
[LTC1756EGN#PBF](#) [LTC1955EUH#PBF](#) [LT3669EUFD-2#PBF](#) [LTC6820HMS#3ZZTRPBF](#) [MXL1543BCAI](#) [MAX3170CAI+](#) [XL1192D](#)  
[TLE9221SX](#) [CP82C59AZ](#) [KTU1109EFAA-TR](#) [CH368L](#) [CH7307C-DEF](#) [LTC1694CS5#TRPBF](#) [LTC1694IS5#TRM](#) [73S8024RN-20IMF](#)  
[73S8024RN-IL/F](#) [78P2352-IGT/F](#) [DS2406+](#) [DS2413P+](#) [DS2413P+T&R](#) [DS28E17Q+](#)